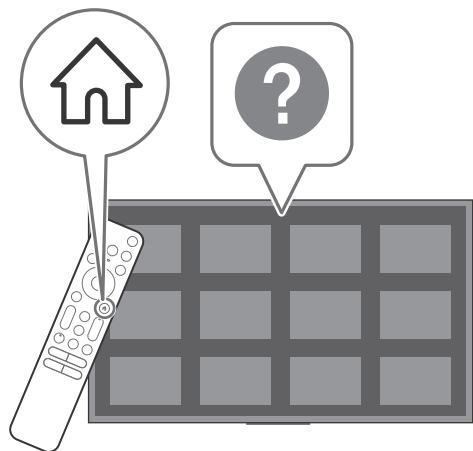




Television



BRAVIA XR

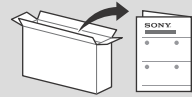
Reference Guide	GB
Guide de référence	FR
Guía de referencia	ES
Referentiegids	NL
Referenzanleitung	DE
Guia de referència	PT
Guida di riferimento	IT
Referensmaterial	SE
Referencevejledning	DK
Viiteopas	FI
Referanseveiledning	NO
Przewodnik	PL
Referenční příručka	CZ
Referenčná príručka	SK
Felhasználói útmutató	HU
Ghid de referință	RO
Информация за продукта	BG
Οδηγός αναφοράς	GR
Başvuru Kılavuzu	TR

About Manuals

This TV comes with the following manuals. Please retain the manuals for future reference.

Setup Guide

- TV installation and setup.




Reference Guide (this manual) / Safety Documentation

- Safety information, remote control, troubleshooting, wall-mount installation, specification, etc.



Help Guide (On screen Manual)

- Settings, functions, Internet connection, troubleshooting, etc.
- To open it, press  (Input select) on the remote control and select [Help]. If [Help] does not exist, select [Edit] and add [Help].

- You can refer to the Help Guide with your smartphone.



https://rd1.sony.net/help/tv/jaep1/h_aep/

Note

- Before operating the TV, please read the "Safety Information".
- Read the supplied safety documentation for additional safety information.
- Images and illustrations used in the Setup Guide and this manual are for reference only and may differ from the actual product.

IMPORTANT NOTICE

Notice for Radio Equipment

Hereby, Sony Corporation declares that the radio equipment types XR-85Z9K, XR-75Z9K are in compliance with Directive 2014/53/EU. The full text of the EU declaration of conformity is available at the following internet address: <https://compliance.sony.eu>

Hereby, Sony Corporation declares that the radio equipment types XR-85Z9K, XR-75Z9K are in compliance with the UK relevant statutory requirements. The full text of the declaration of conformity is available at the following internet address: <https://compliance.sony.co.uk>

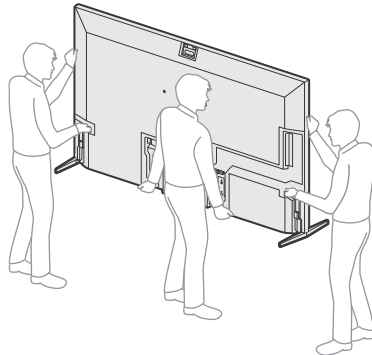
For this radio equipment, the following restrictions on putting into service or of requirements for authorization of use apply in AT, BE, HR, CY, CZ, DK, EE, FI, FR, DE, EL, HU, IE, IT, LV, LT, LU, MT, NL, PL, PT, SK, SI, ES, SE, UK, UK (NI), IS, LI, NO, CH, BG, RO, TR, AL, BA, MK, MD, RS, ME, Kosovo :
5150 - 5350 MHz band is restricted to indoor operations only.

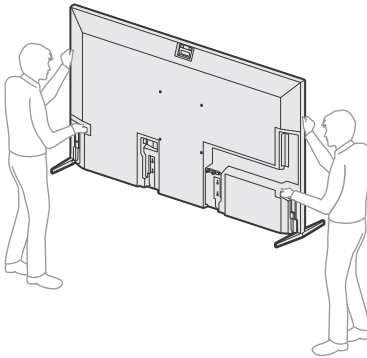
Safety Information

Transporting

- Before transporting the TV set, disconnect all cables.
- Before transporting the TV set, remove the terminal covers.
- Two or more persons (three or more persons for 214.8 cm (85 inches) and above TV) are needed to transport a large TV set.
- When transporting the TV set by hand, hold it as shown below. Do not put stress on the panel and the frame around the screen.

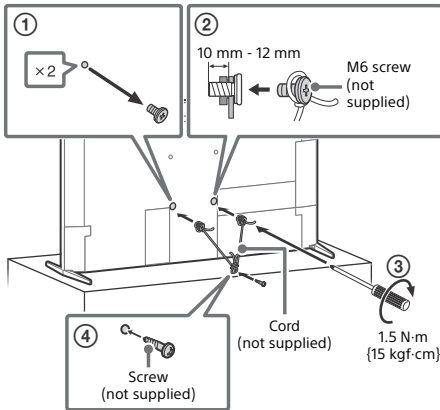
XR-85Z9K





- When transporting the TV set, do not subject it to jolts or excessive vibration.
- When transporting the TV set for repairs or when moving, pack it using the original carton and packing material.

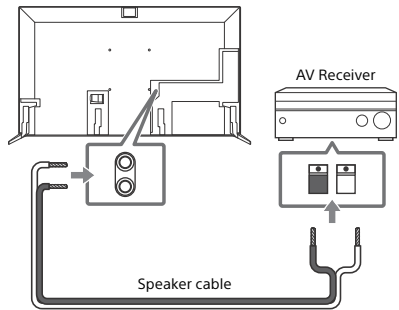
Topple prevention



Using TV as Centre Speaker

Note

- Before connecting cables, disconnect the mains lead of both TV and AV receiver.

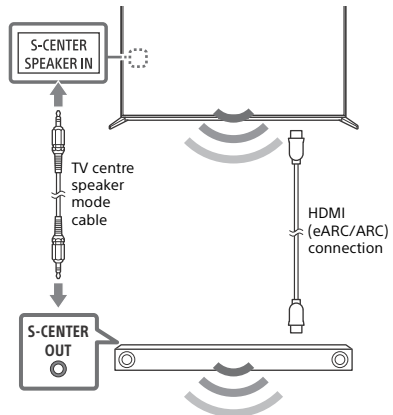


GB

Using TV as Part of Audio System

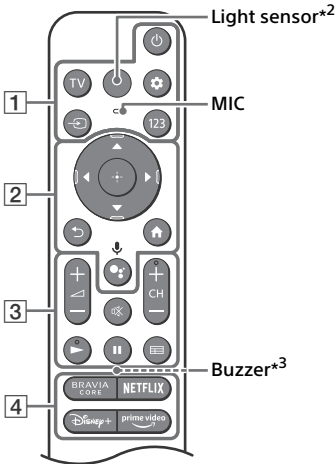
Note

- Before connecting cables, disconnect the mains lead of both TV and AV receiver.
- Refer to the instruction manual of the Audio system with S-CENTER OUT terminal for detail.



Remote Control and TV

The remote control shape, layout, availability and function of remote control buttons may vary depending on your region/country/TV model/TV settings*¹.



1 (Power)

TV: Display TV channel list or switch to input.

(Quick settings): Display Quick Settings.

(Input select): Display and select the input source, etc.

123 (Control menu): Display the Control menu.

2 **▲ / ▼ / ◀ / ▶ / ⊕:** On screen menu navigation and selection.

(Back)

(Home)

(Google Assistant) / **(Microphone):** Use Google Assistant*⁴*⁵ or voice search*⁵.

3 **+ / - (Volume)**

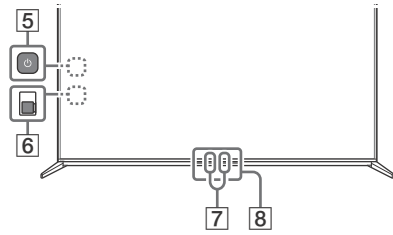
(Mute)*⁶

CH + / - (Channel)

▶ / ||

(Guide): Display the digital programme guide of TV or TV box*⁷.

4 App buttons



5 (Power): (It can be found by removing the side cover)

6 BUILT-IN MIC SWITCH: Turn on/off the built-in MIC. (It can be found by removing the side cover)

7 Built-in MIC*⁴*⁵*⁸: To enable the built-in MIC, press the Google Assistant/microphone button on the remote control and follow the on-screen instructions.

8 Remote Control sensor / Ambient light sensor / LED

*1 For other remote control models, refer to the online Help Guide for details.

*2 The remote control backlight will illuminate when the light sensor detects the ambient light is low. Automatic illumination of the backlight can be turned off.

*3 The buzzer will emit a sound when you use the remote finder function. Refer to the online Help Guide for details.

*4 Only for limited region/country/model/language.

*5 Google Assistant or voice search requires an Internet connection.

*6 Accessibility shortcut is available by pressing and holding (Mute).

*7 [TV box setup] setting is required.

*8 Power consumption will increase when the built-in MIC is enabled as it is always listening.



For more information, refer to the Help Guide.

Press (Input select) on the remote control and select [Help]. If [Help] does not exist, select [Edit] and add [Help].

Using the Camera and Microphone Unit (supplied)

A software update may be required to use the Camera and Microphone Unit. For the latest information about software updates for your TV, visit:

<https://www.sony.eu/support>

Troubleshooting

General troubleshooting for issues like: black screen, no sound, frozen picture, TV does not respond, or network is lost, do the following steps.

- 1 Restart your TV by pressing the power button on the remote control for about five seconds. The TV will restart. If the TV does not recover, try unplugging the mains lead then press the power button on the TV and release it. Wait for two minutes, and plug in the mains lead. Or, press the power button on the TV for about 40 seconds until the TV turns off.
- 2 Refer to the Help menu shown below.
- 3 Connect your TV to the Internet and perform a software update. Sony recommends you to keep your TV software updated. Software updates provide new features and performance improvements.
- 4 Visit Sony support website (information provided at the end of this manual).

When you plug in the TV, the TV may not be able to turn on for a while even if you press the power button on the remote control or the TV.

It takes time to initialize the system. Wait for about one minute, then operate it again.

The remote control does not function.

- Replace the batteries.

The parental lock password has been forgotten.

- Enter 9999 for the PIN and enter the new PIN.



For more information on troubleshooting, refer to the Help Guide.

Press (Input select) on the remote control and select [Help]. If [Help] does not exist, select [Edit] and add [Help].

GB

Specifications

System

Panel system: LCD (Liquid Crystal Display) Panel, LED Backlight

TV system: Depend on your country/area selection/TV model

Analogue: B/G, D/K, I

Digital: DVB-T/DVB-C/DVB-T2

Satellite: DVB-S/DVB-S2

Colour system: PAL/SECAM/NTSC3.58 (Video only)/NTSC4.43 (Video only)

Channel coverage: Depend on your country/area selection/TV model

Analogue: UHF/VHF/Cable

Digital: UHF/VHF/Cable

Satellite: Intermediate Frequency
950-2150 MHz

Sound output: 12.5 W + 12.5 W + 20 W + 20 W + 5 W + 5 W + 5 W + 5 W

Wireless technology

Protocol IEEE 802.11a/b/g/n/ac

Bluetooth® Version 4.2

Frequency range	Output power
Wireless LAN (TV)	
2400-2483.5 MHz	< 20.0 dBm
5150-5250 MHz	< 23.0 dBm
5250-5350 MHz	< 20.0 dBm
5470-5725 MHz	< 20.0 dBm
5725-5850 MHz	< 13.9 dBm
Bluetooth® (TV)	
2400-2483.5 MHz	< 10.0 dBm
Bluetooth® (RMF-TX900U)	
2400-2483.5 MHz	< 10.0 dBm

Input/Output jacks

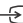

Antenna (aerial)/cable

75 ohm external terminal for VHF/UHF

Satellite antenna

Female F Type Connector, 75 ohm.

DiSEqC 1.0, LNB 13 V/18 V & 22 kHz tone, Single Cable Distribution EN50494.

 /  AV IN / S-CENTER SPEAKER IN

Video/Audio input (mini jack)

S-centre speaker input (mini jack)

HDMI IN 1/2/3/4 (HDCP 2.3-compatible)

Video:

4096 × 2160p (50, 60 Hz)^{*1*2}, 4096 × 2160p (24 Hz)^{*1}, 3840 × 2160p (50, 60 Hz)^{*2}, 3840 × 2160p (24, 25, 30 Hz), 1080p (30, 50, 60, 100, 120 Hz), 1080/24p, 1080i (50, 60 Hz), 720p (30, 50, 60 Hz), 720/24p, 576p, 480p, PC Formats^{*3}, 7680 × 4320p (24, 25, 30, 50, 60 Hz)^{*2*4*5}, 3840 × 2160p (100, 120 Hz)^{*2*4*6}

Audio:

In eARC (Enhanced Audio Return Channel) mode

Refer to the online Help Guide for details.

Except eARC mode

5.1 channel linear PCM: 32/44.1/48/88.2/

96/176.4/192 kHz 16/20/24 bits, Dolby

Audio, Dolby Atmos, DTS

eARC/ARC (Enhanced Audio Return Channel/ Audio Return Channel) (HDMI IN 3 only)^{*7}


In eARC mode

Refer to the online Help Guide for details.

In ARC mode



Two channel linear PCM: 48 kHz 16 bits,

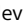
Dolby Audio, Dolby Atmos, DTS

 DIGITAL AUDIO OUT (OPTICAL)

Digital optical jack (Two channel linear PCM:

48 kHz 16 bits, Dolby Audio, DTS)

 1,  2 (HDD REC)^{*8}

USB device port ( 2 USB HDD device for REC feature)

USB port 1 supports High Speed USB (USB 2.0)

USB port 2 supports Super Speed USB (USB 3.2 Gen 1)



CAM (Conditional Access Module) slot

 LAN

10BASE-T/100BASE-TX connector (Depending on the operating environment of the network, connection speed may differ. The communication rate and quality are not guaranteed.)

CENTER SPEAKER IN

Centre speaker input (Binding post)

Camera and Microphone Unit

Camera and Microphone Unit terminal

Power, Product Fiche and others

Power requirements

220 V - 240 V AC, 50 Hz

Screen size (measured diagonally) (Approx.)

XR-85Z9K: 214.8 cm / 85 inches

XR-75Z9K: 189.3 cm / 75 inches

Standby power consumption^{*9*10}

0.50 W

Display resolution (horizontal × vertical) (pixels)

7680 × 4320

Output rating

500 mA (for USB 1), 900 mA (for USB 2)

Dimensions (Approx.) (w × h × d) (cm)

with Table-Top Stand (with camera)

Standard position:

XR-85Z9K: 189.6 × 112.3 × 46.0

XR-75Z9K: 167.1 × 99.8 × 39.6

Narrow position:

XR-85Z9K: 189.6 × 114.2 × 46.0

XR-75Z9K: 167.1 × 101.7 × 39.6

Soundbar position:

XR-85Z9K: 189.6 × 119.7 × 46.0

XR-75Z9K: 167.1 × 107.2 × 39.6

without Table-Top Stand (with camera)

XR-85Z9K: 189.6 × 111.2 × 7.6

XR-75Z9K: 167.1 × 98.7 × 7.6

Stand width (Approx.) (cm)

Standard position:

XR-85Z9K: 189.5

XR-75Z9K: 167.0

Narrow position:

XR-85Z9K: 76.6

XR-75Z9K: 57.6

Soundbar position:

XR-85Z9K: 189.5

XR-75Z9K: 167.0

Mass (Approx.) (kg)

with Table-Top Stand (with camera)

XR-85Z9K: 60.1

XR-75Z9K: 49.1

without Table-Top Stand (without camera)

XR-85Z9K: 58.4

XR-75Z9K: 47.5

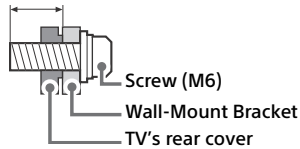
Others

Optional accessories

Wall-Mount Bracket: SU-WL450

Screw diameter and length:

10 mm - 12 mm



Operating temperature: 0 °C – 40 °C

Operating humidity: 10 % – 80 % RH
(non-condensing)

- *1 When 4096 × 2160p is input and [Wide mode] is set to [Normal], the resolution is displayed as 3840 × 2160p. To display 4096 × 2160p, set [Wide mode] setting to [Full 1] or [Full 2].
- *2 Refer to the on screen menu to set [HDMI signal format].
- *3 Refer to the online Help Guide for details.
- *4 Use the Ultra High Speed HDMI Cable to connect.
- *5 HDMI IN 4 only. Connect 8K supported HDMI devices to HDMI IN 4. HDMI IN 4 has complex signal processing and takes additional time to get video (depend on source).
- *6 HDMI IN 2/3/4 only.
- *7 Connect your audio system to the HDMI IN 3 to route TV audio to your audio system.
- *8 Function not available in Italy.
- *9 Specified standby power is reached after the TV finishes necessary internal processes.
- *10 Standby power consumption will increase when your TV is connected to the network.

Note

- Optional accessories availability depends on countries/region/TV model/stock.
- Design and specifications are subject to change without notice.
- Subscriptions for services and applications may be required and additional terms, conditions and/or charges may apply when using Google Assistant.
- Product fiche in this manual is for COMMISSION DELEGATED REGULATION (EU) 1062/2010. Refer to its website for (EU) 2019/2013 information.

Product registration number (COMMISSION DELEGATED REGULATION (EU) 2019/2013)

XR-85Z9K (1035114), XR-75Z9K (1035112).