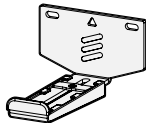
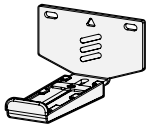


**SANUS**<sup>®</sup>  
A C C E N T S

A brand of  **legrand**



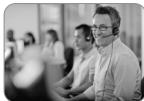
## SoundBar Wall Mount

Model **ASBWM1**

INSTRUCTION MANUAL

Texto en español, página 16

## WE'RE HERE TO HELP



Our US-based install experts  
are standing by to help.



Call us at:  
+1-(800) 359-5520



Or, chat at:  
[SANUS.com/chatSA](https://www.sanus.com/chatSA)

# IMPORTANT SAFETY INSTRUCTIONS

**READ ENTIRE MANUAL PRIOR TO USE — SAVE THESE INSTRUCTIONS**

Please read through these instructions completely to be sure you're comfortable with this easy install process.

If you do not understand these instructions or have doubts about the safety of the installation, assembly or use of this product, contact Customer Service (see back page).

**▲ CAUTION: Avoid potential personal injuries and property damage!**

- ▶ Use this mounting system only for its intended use as described in these instructions.
- ▶ Manufacturer is not responsible for damage or injury caused by incorrect assembly or use.

## Weight Restrictions

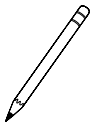


DO NOT EXCEED  
**20 lbs. (9.07 kg)** for this shelf.

## Tools Needed



**Tape Measure**



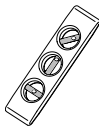
**Pencil**



**Phillips Screwdriver**



**Electric Drill**



**Level**

### Wood Stud Install



**1/8 in.  
(3.2 mm)  
Wood  
Drill Bit**



**3/8 in.  
(10 mm)  
Drill Bit**

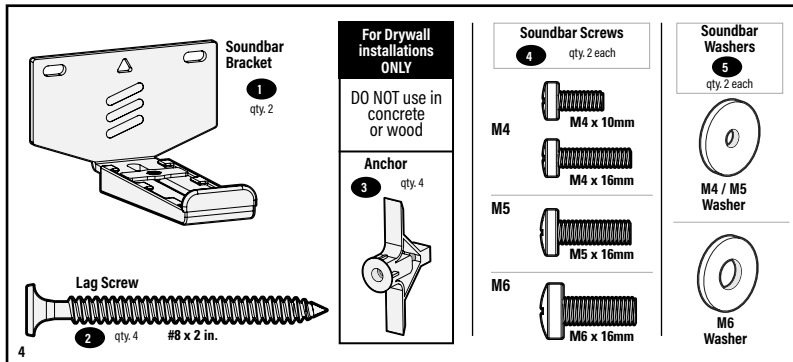


**Hammer**

# Supplied Parts and Hardware

**⚠ WARNING:** This product contains small items that could be a choking hazard if swallowed. Before starting assembly, verify all parts are included and undamaged. If any parts are missing or damaged, do not return the damaged item to your dealer; contact Customer Service. Never use damaged parts!

**📖 NOTE:** Not all hardware included in this kit will be used.



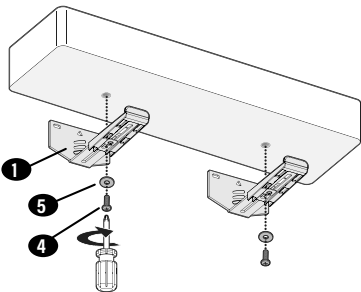
# Determine Your Install method



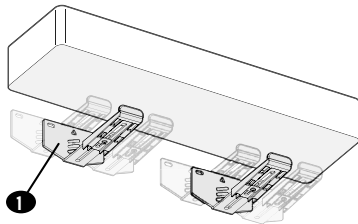
**1: Bottom Mounted**



With threaded inserts



**2: Shelf-style**  
(no threaded inserts)



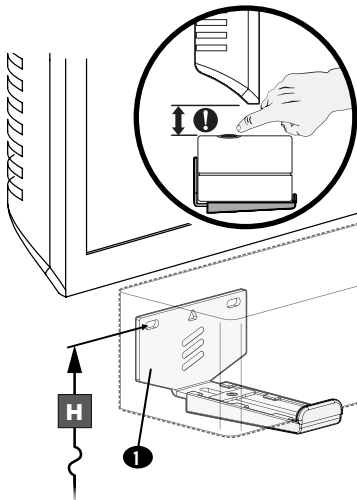
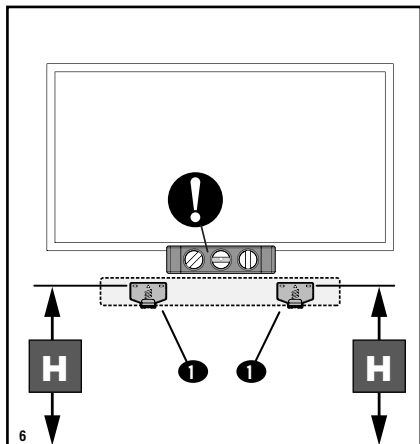
## STEP 1

## Determine your bracket location

STEP 1.1

HEIGHT

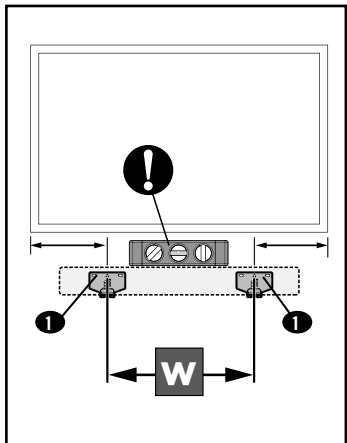
H



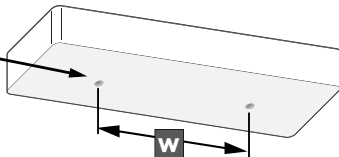
STEP 1.2

WIDTH

W



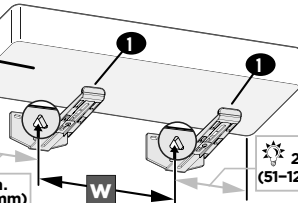
Bottom Mounted



Shelf-style



2-5 in.  
(51-127 mm)



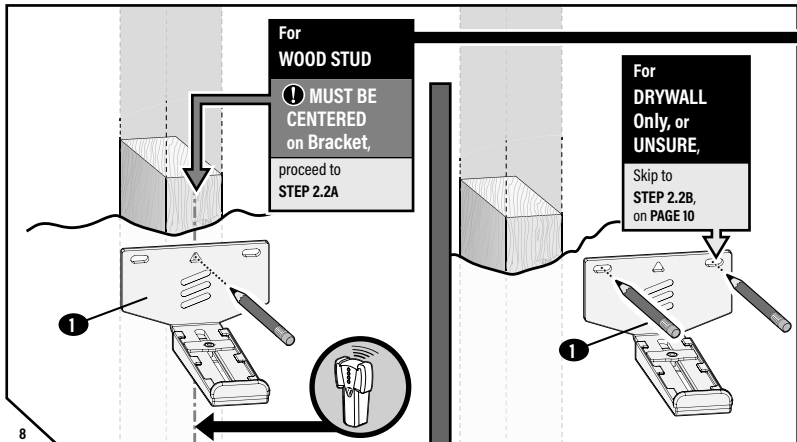
2-5 in.  
(51-127 mm)

## STEP 2

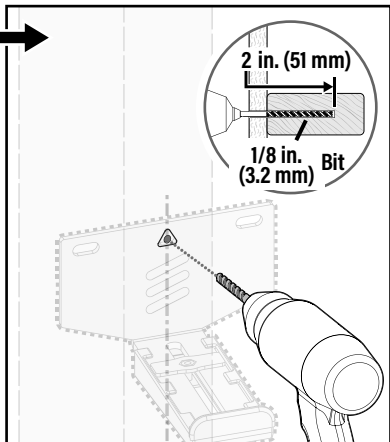
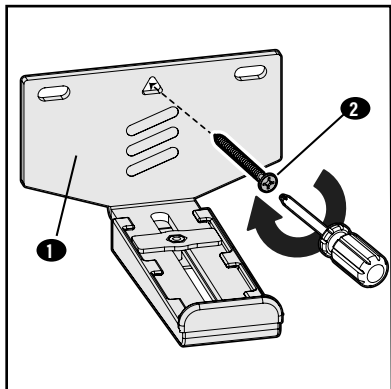
## Install Soundbar Brackets

### STEP 2.1

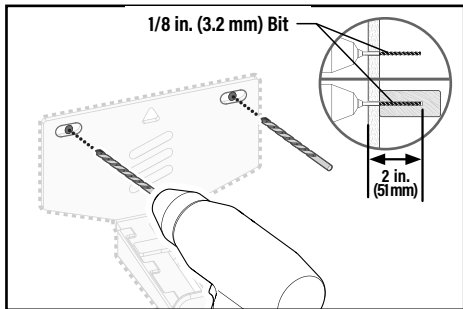
### Determine Your Wall Type





**STEP 2.2a****Drill Hole****STEP 2.3a****Secure Bracket****Go to STEP 3 on PAGE 12**

## STEP 2.2B Drill Test Holes

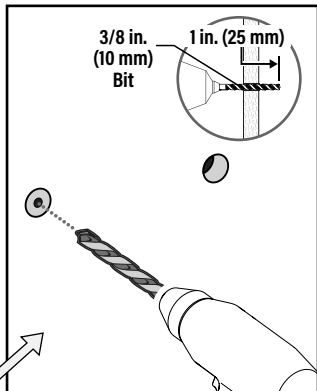


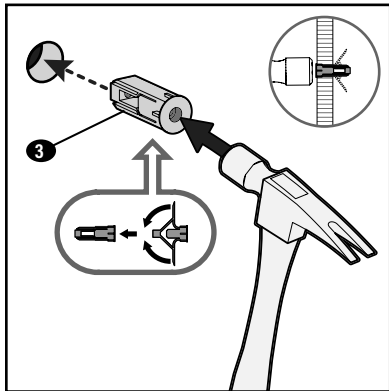
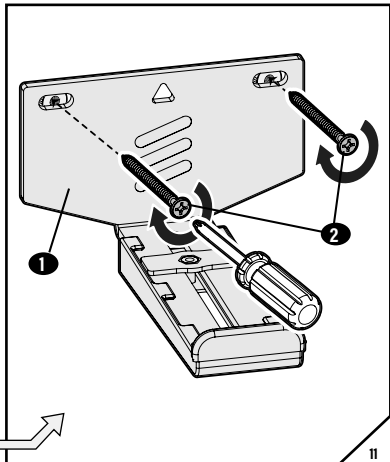
Drill test holes using a 1/8 in. (3.2 mm) bit.

**If you hit DRYWALL ONLY,**  
proceed to STEP 2.3B

**If you hit a WOOD STUD,**  
Skip to STEP 2.5B

## STEP 2.3B Drill Hole(s)



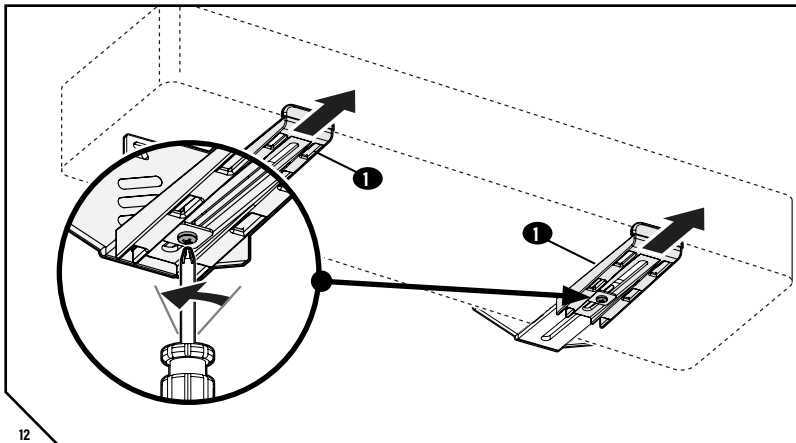
**STEP 2.4B****Insert Anchor(s)****STEP 2.5B****Secure bracket**

## STEP 3

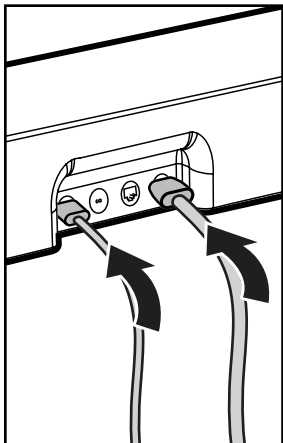
## Install Your Soundbar

### STEP 3.1

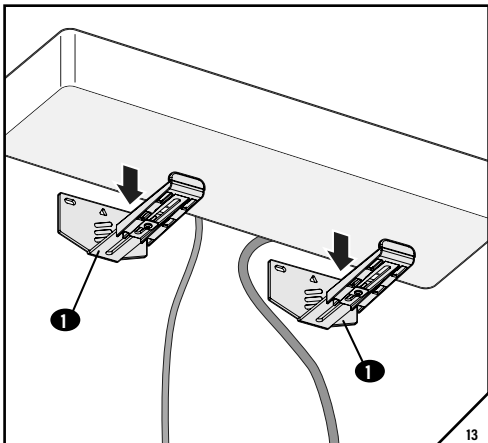
### Loosen



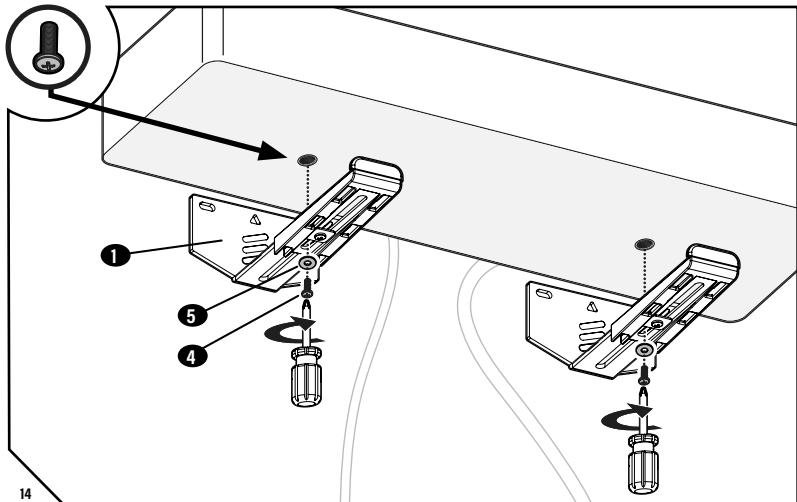
### STEP 3.2 Plug in Cables



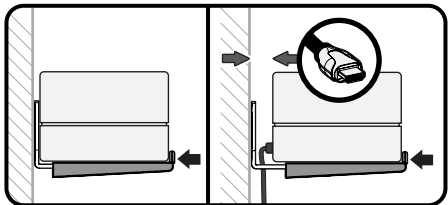
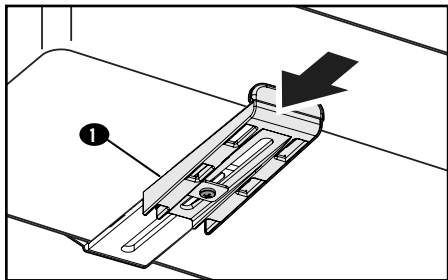
### STEP 3.3 Place Soundbar



**STEP 3.4**    **Secure (OPTIONAL – For Bottom Mounted Only)**



### STEP 3.5 Adjust



### STEP 3.6 Secure

