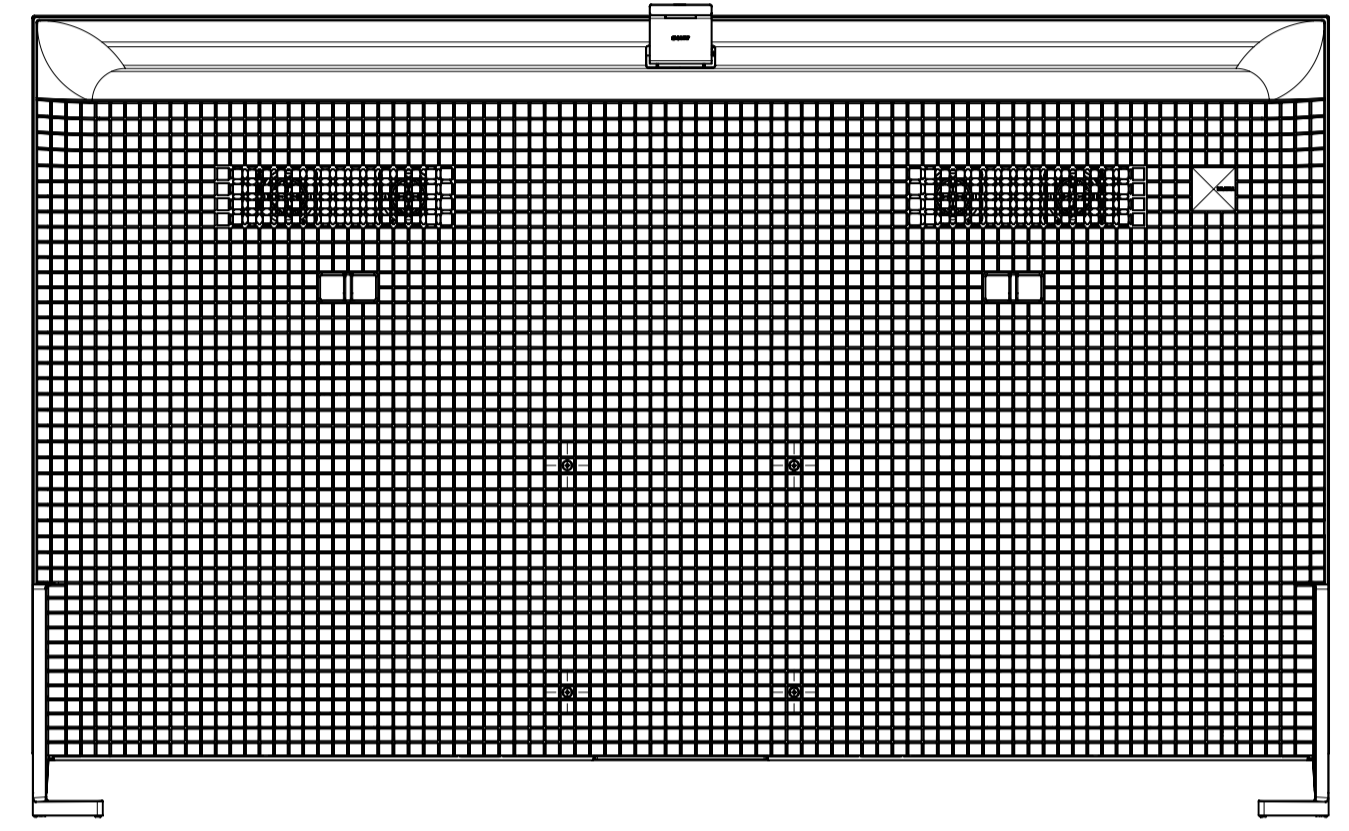
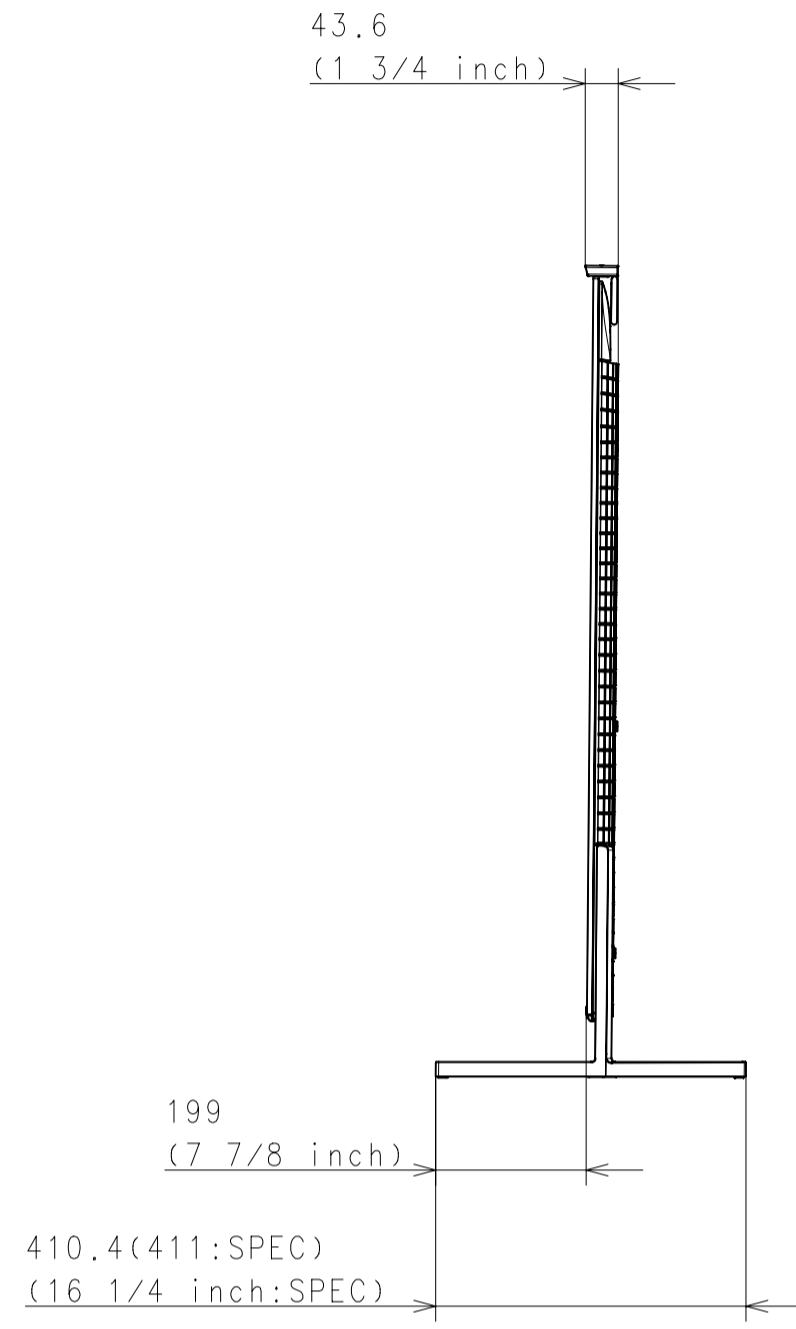
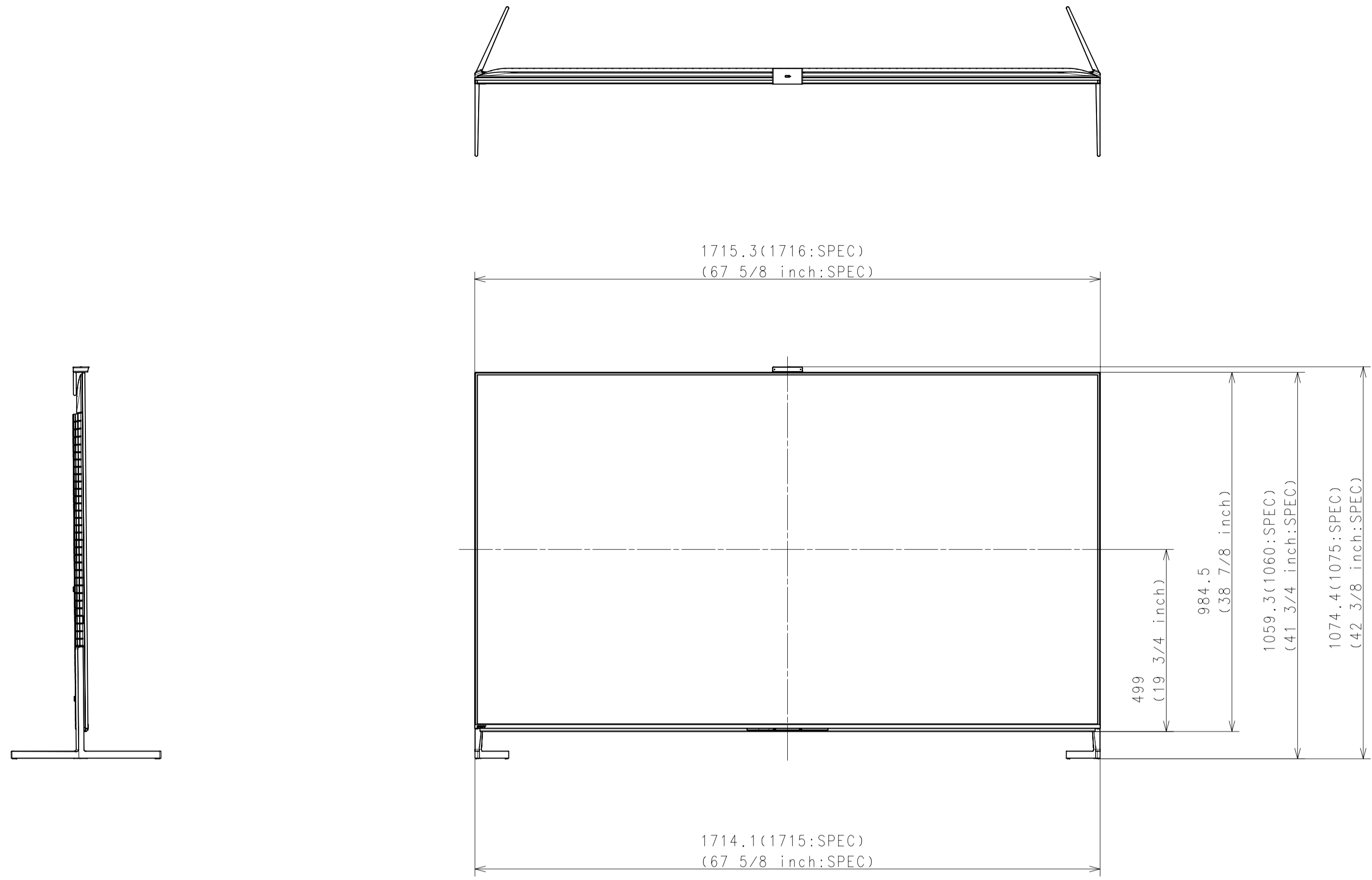
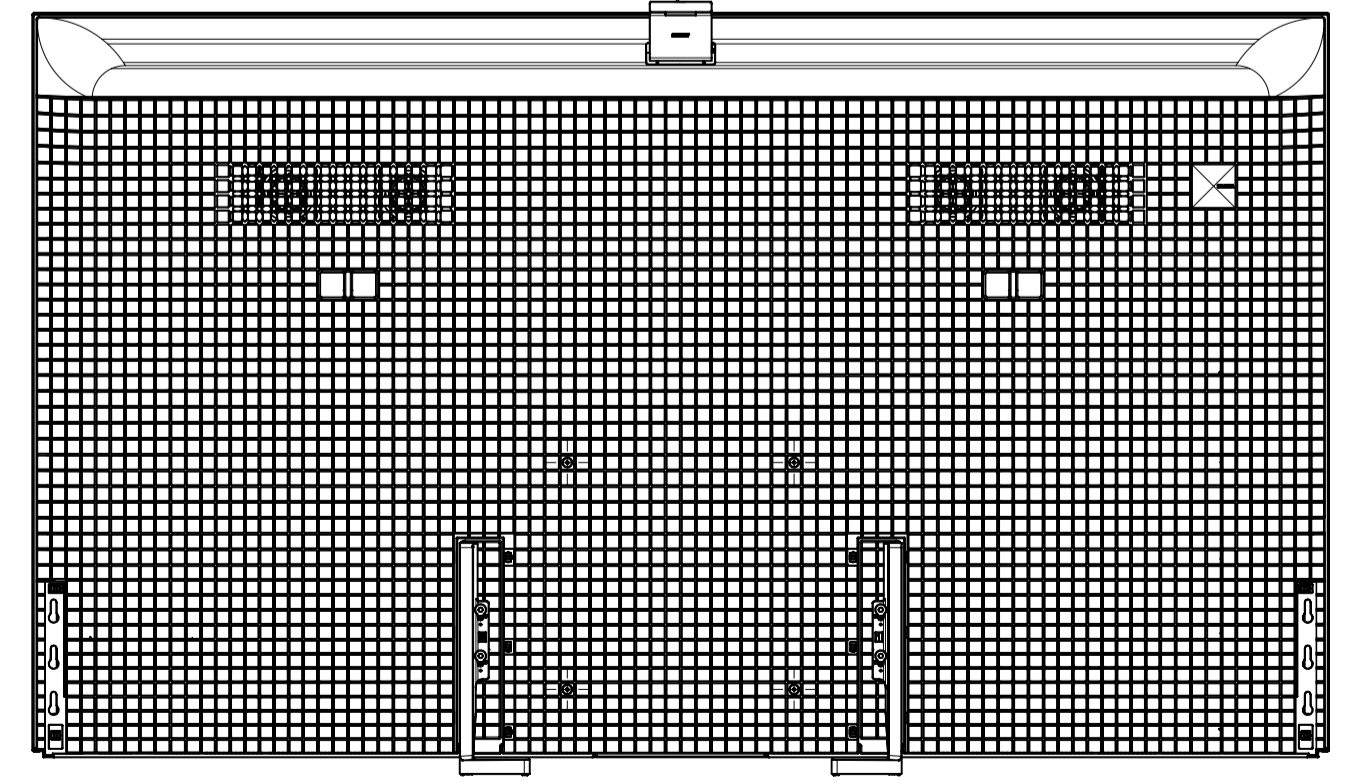
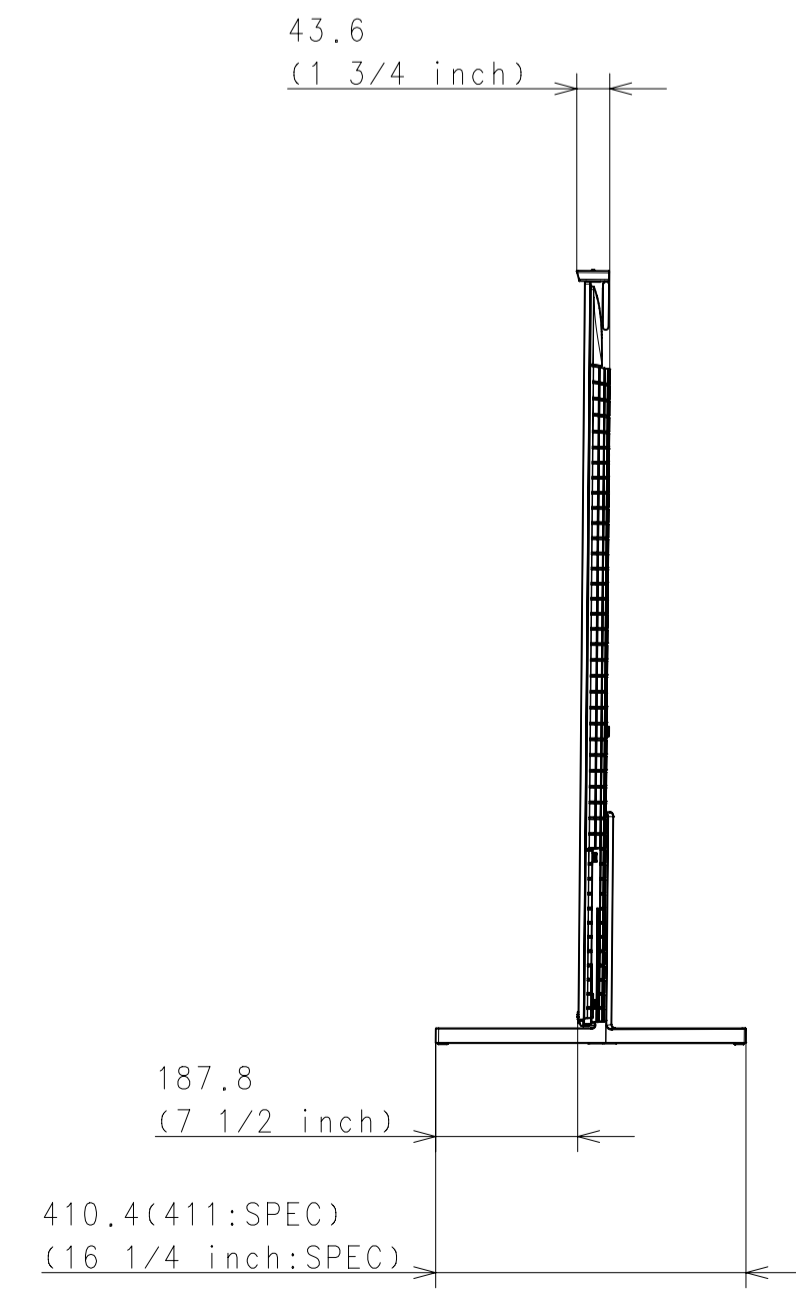
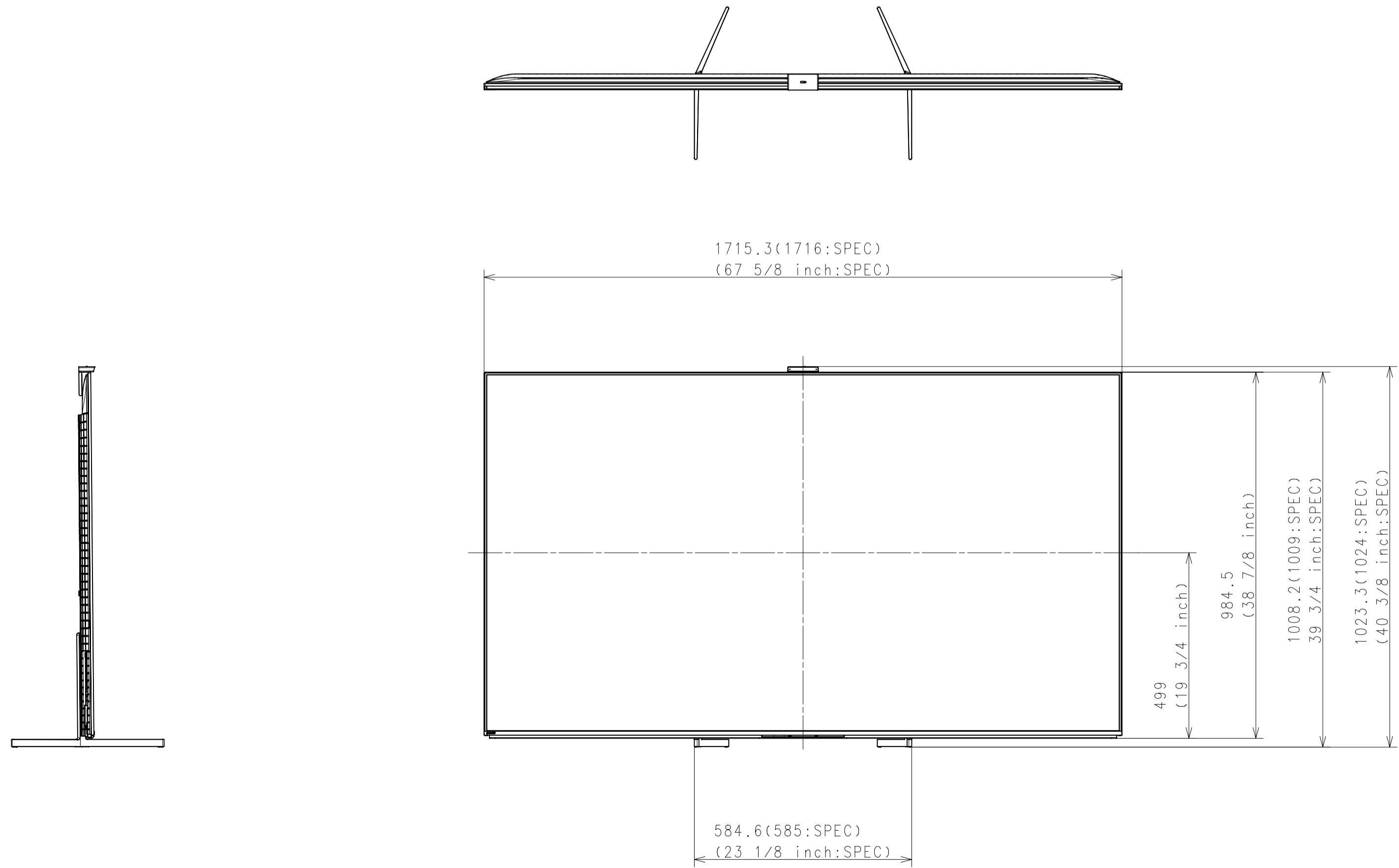




WITH STAND  
SOUND BAR POSITION

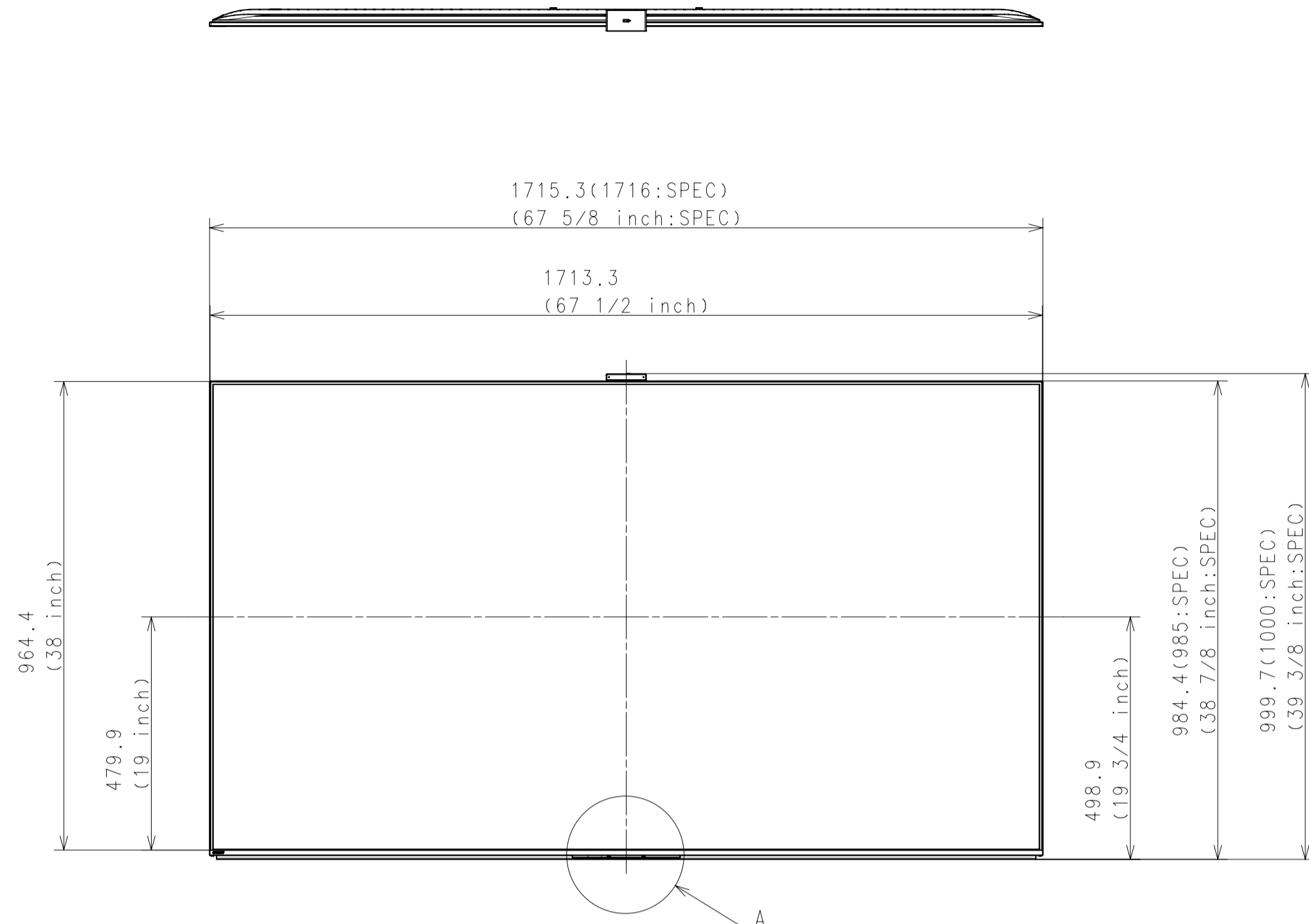


WITH STAND  
NARROW POSITION

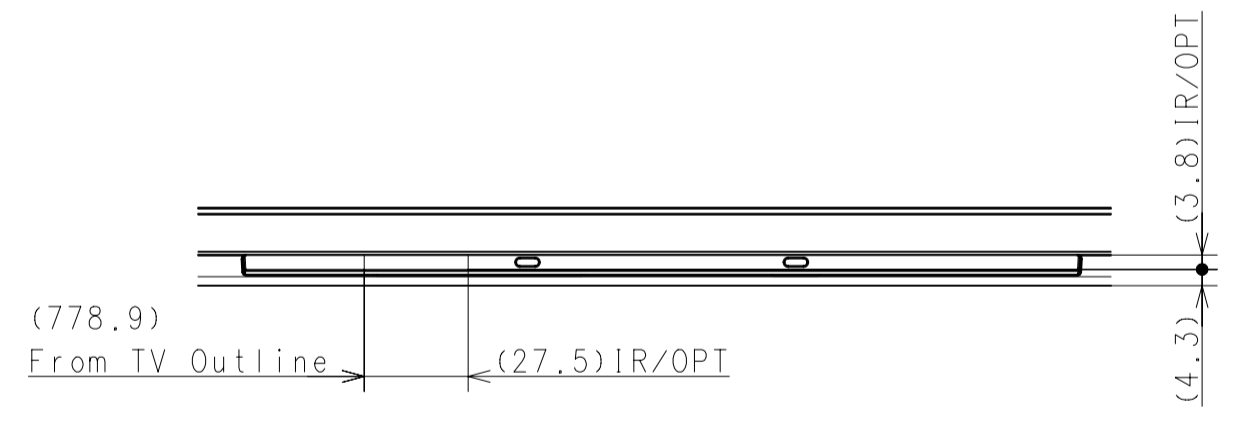
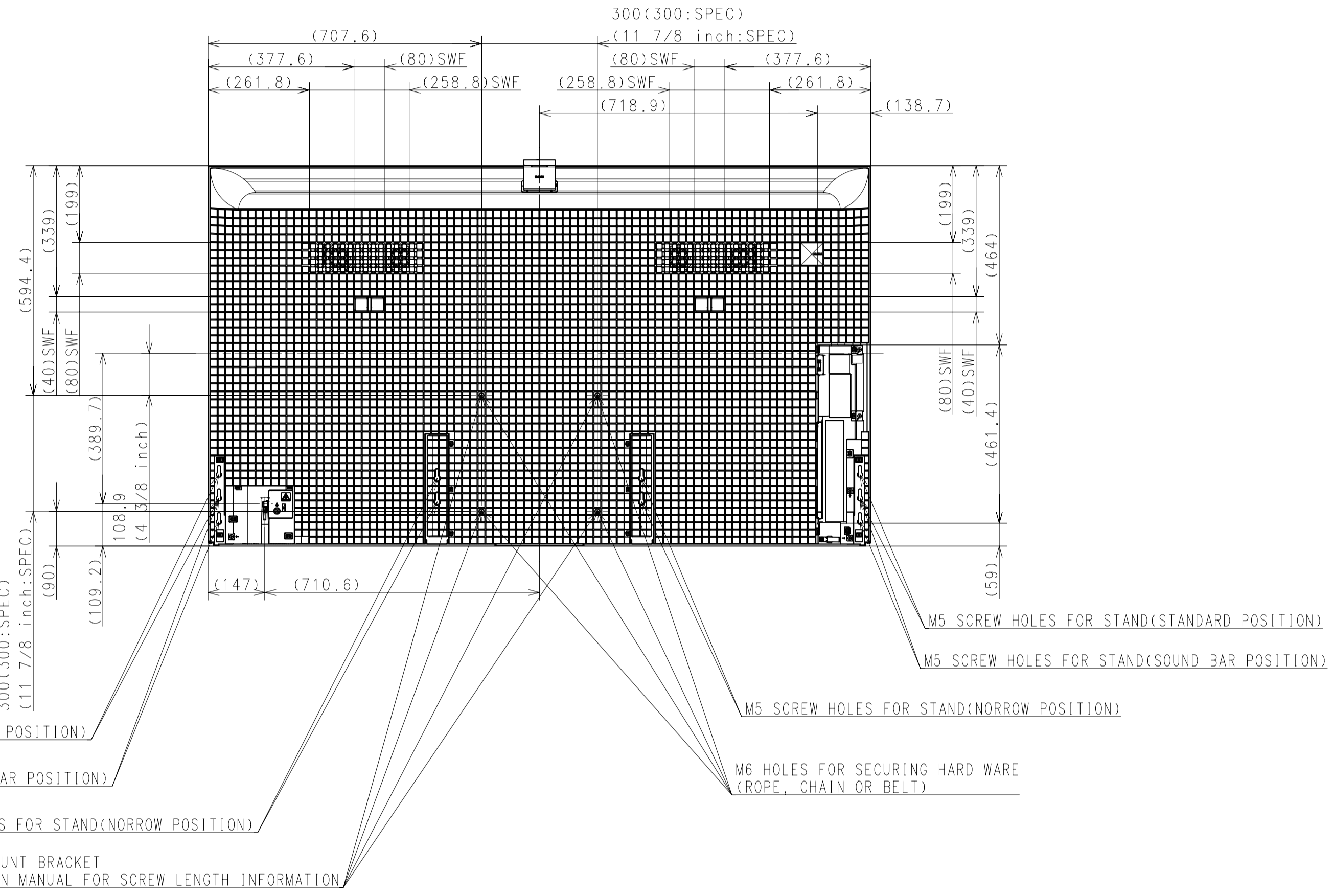


DESCRIPTION1 77(A95L) EXTERIOR VIEW	LEGAL OWNER Sony Corporation	SCALE 1:10
DESCRIPTION2 77(A95L) EXTERIOR VIEW	PART NO.	SHEET/PAGES 2 / 5

WITHOUT STAND



- 44.8(45:SPEC)  
(1 13/16 inch:SPEC)
- 42.8(42.8:SPEC)  
(1 11/16 inch:SPEC)
- 34.9(35:SPEC)  
(1 7/16 inch:SPEC)
- 24.6(24.6:SPEC)  
(31/32 inch:SPEC)

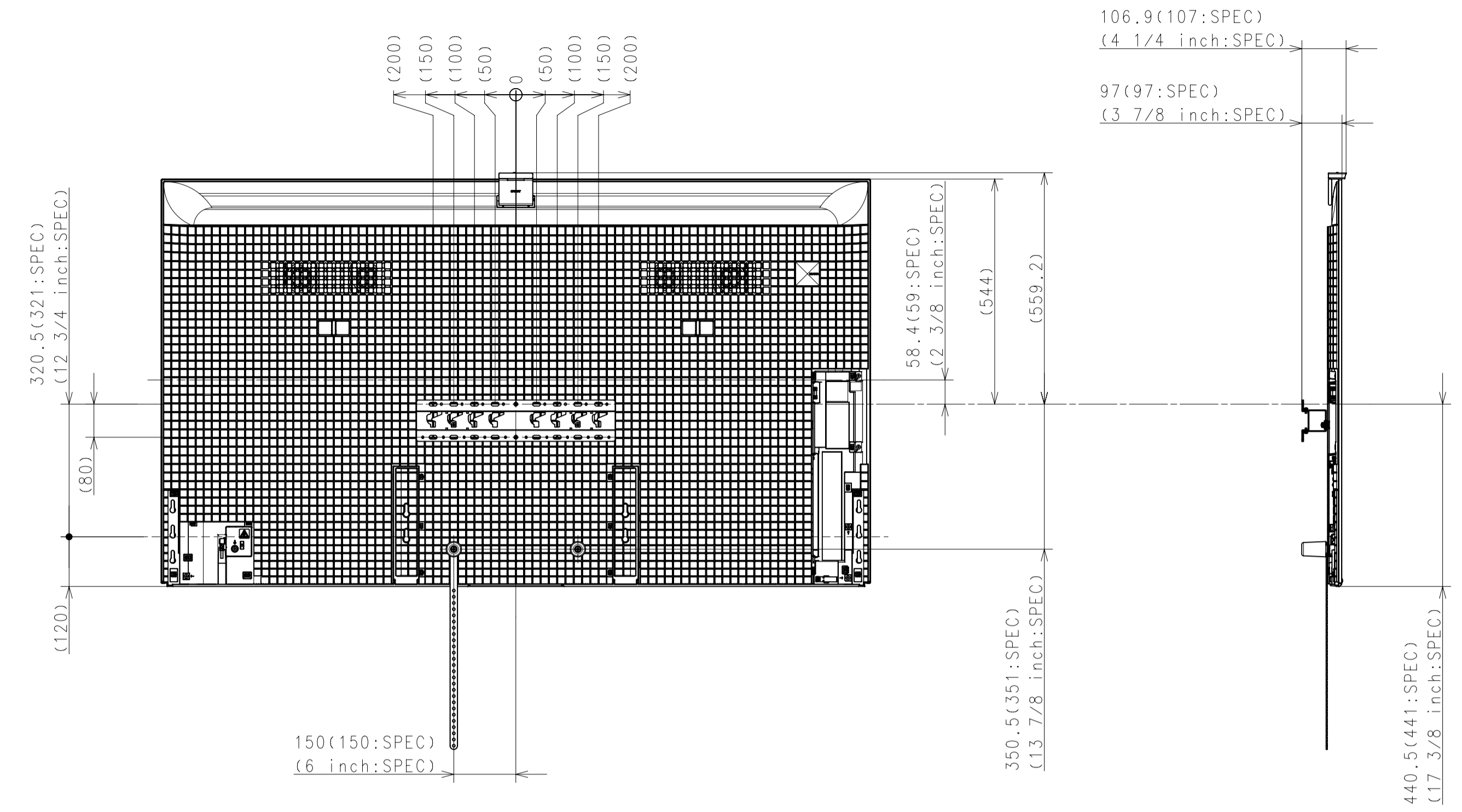
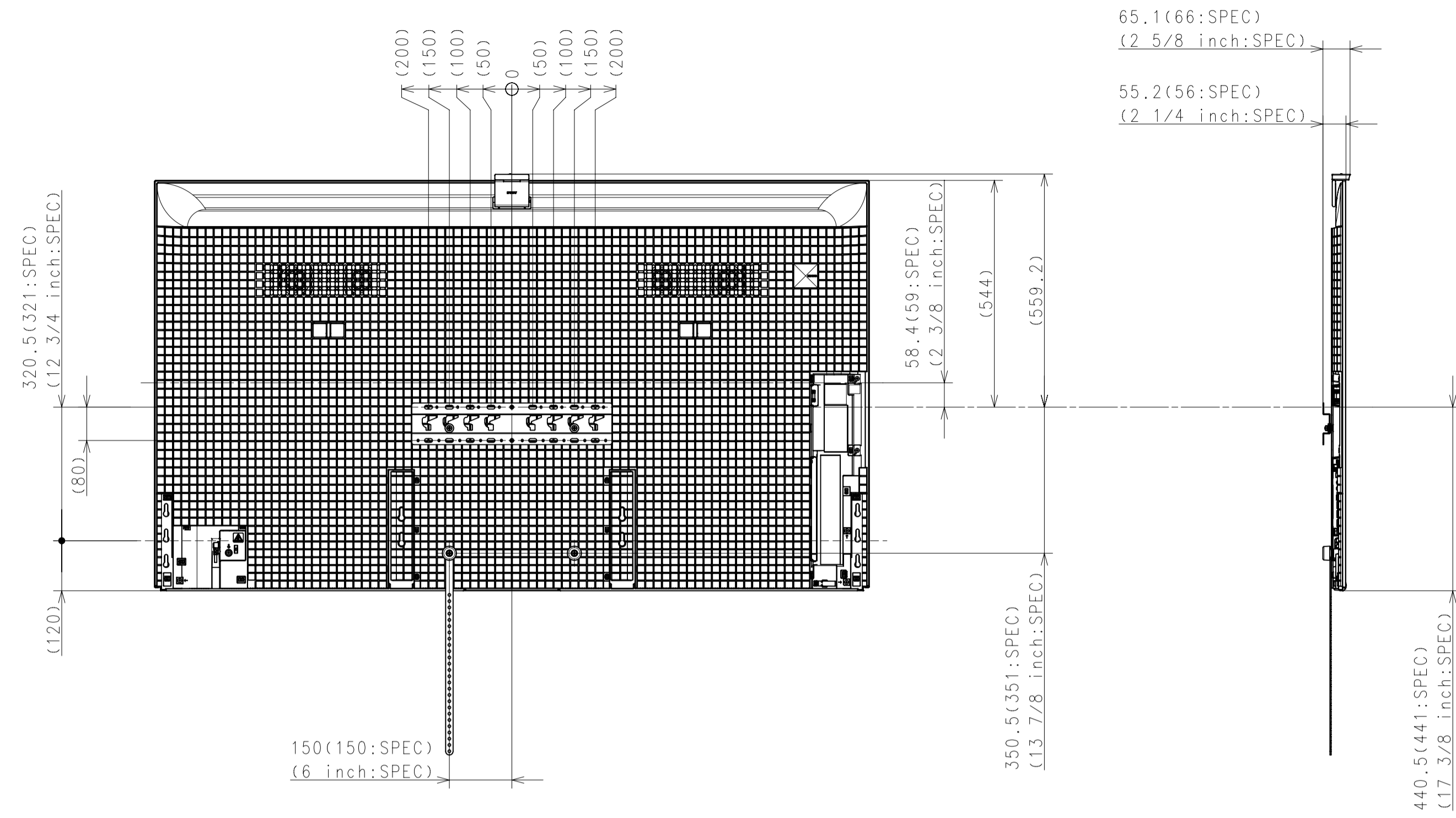


A  
1:2

DESCRIPTION1 77(A95L) EXTERIOR VIEW	LEGAL OWNER Sony Corporation	SCALE 1:10
DESCRIPTION2 77(A95L) EXTERIOR VIEW	PART NO.	SHEET/PAGES 3 / 5

SU-WL450 SLIM

SU-WL450 STANDARD



DRAWING

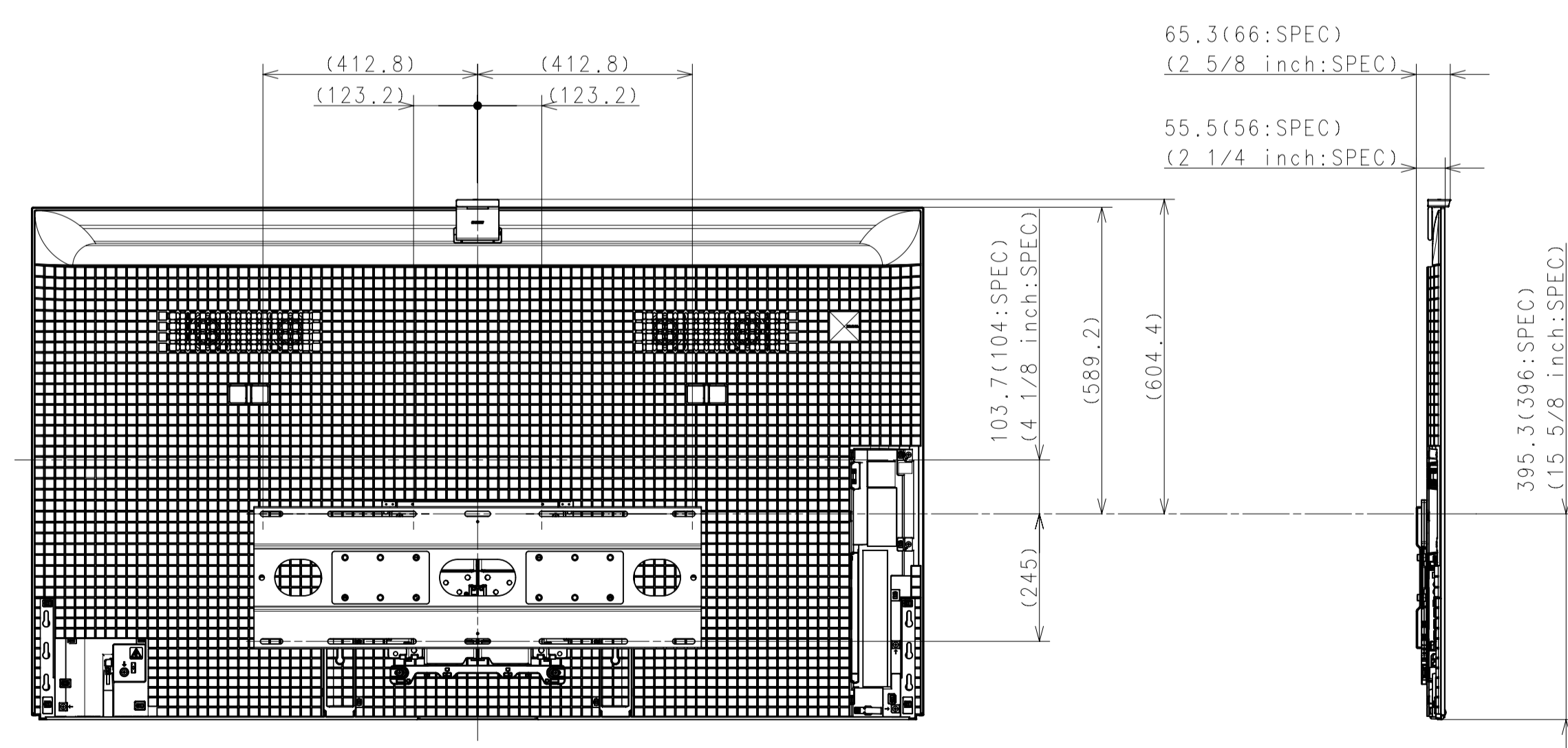
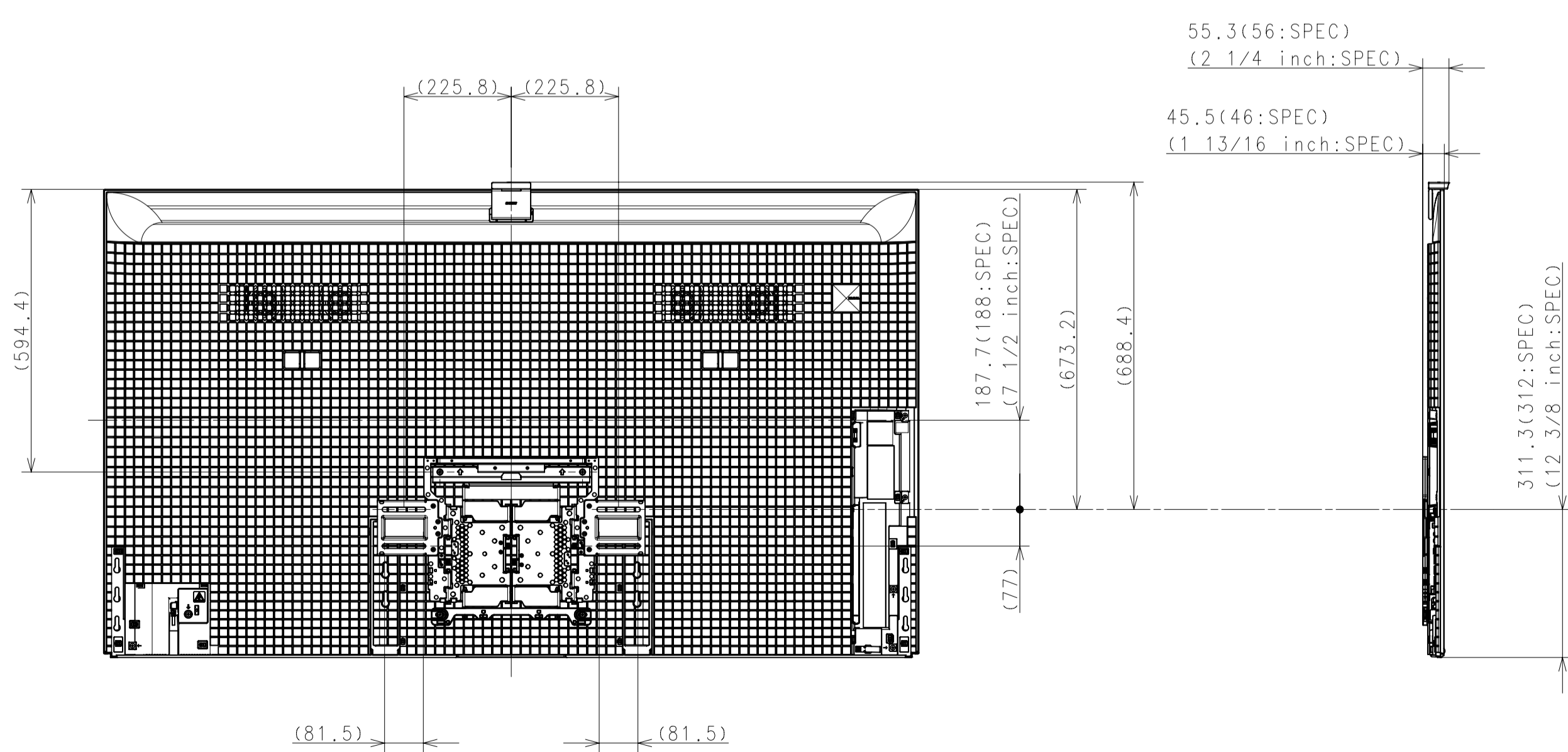
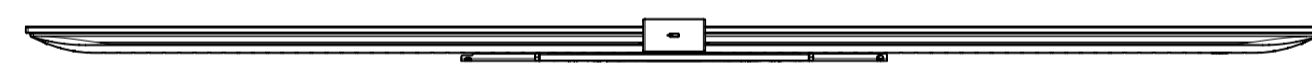
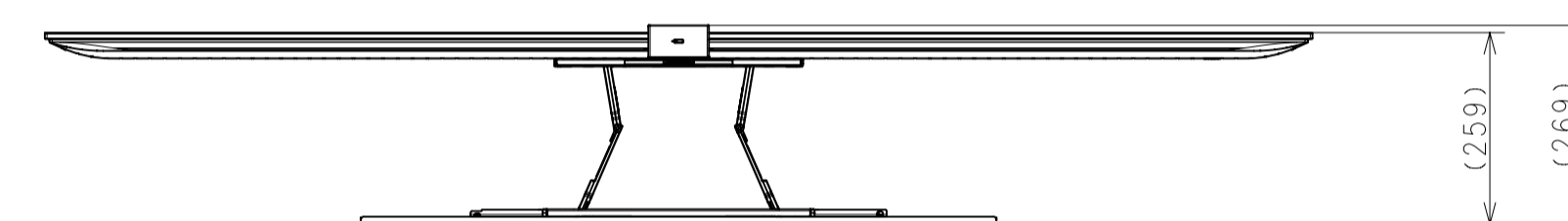
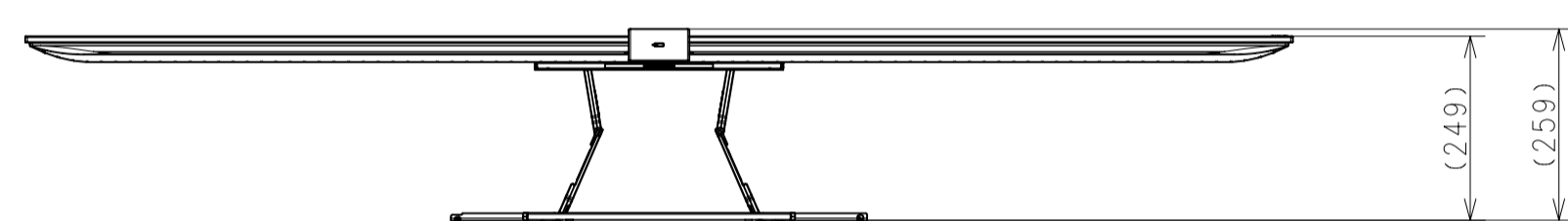
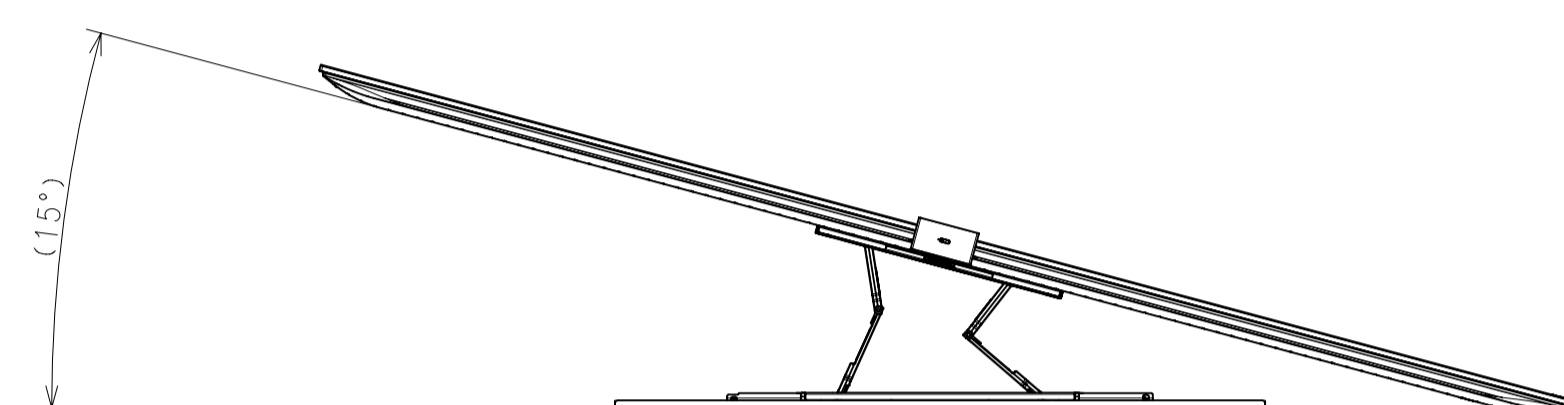
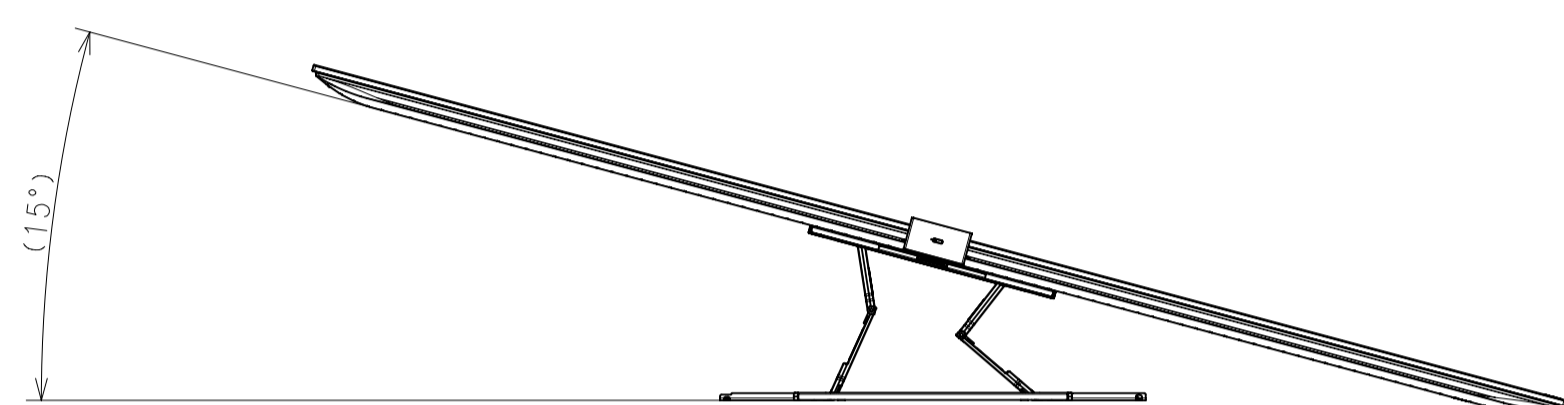
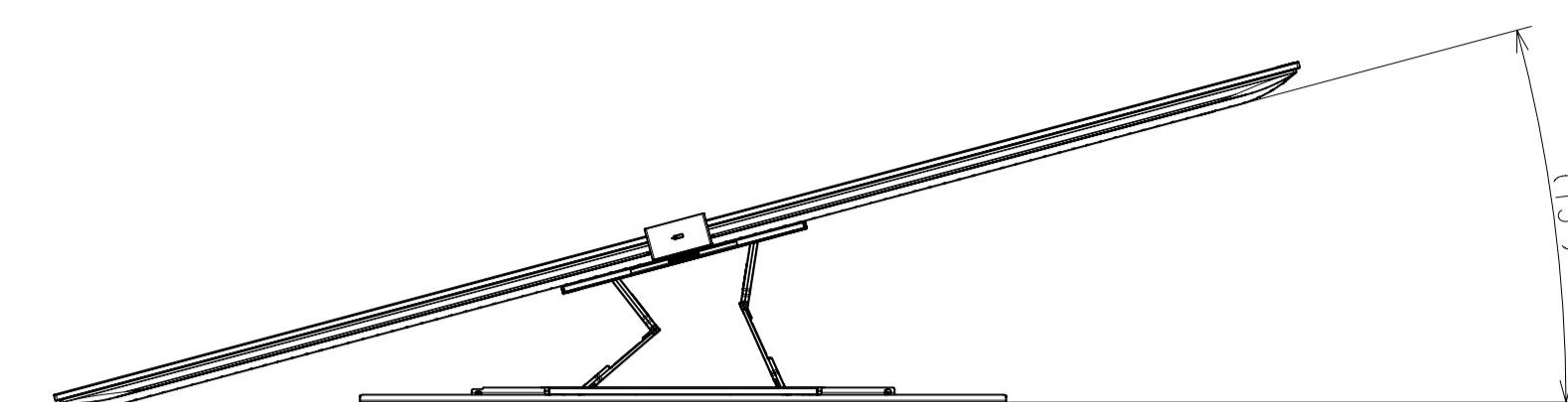
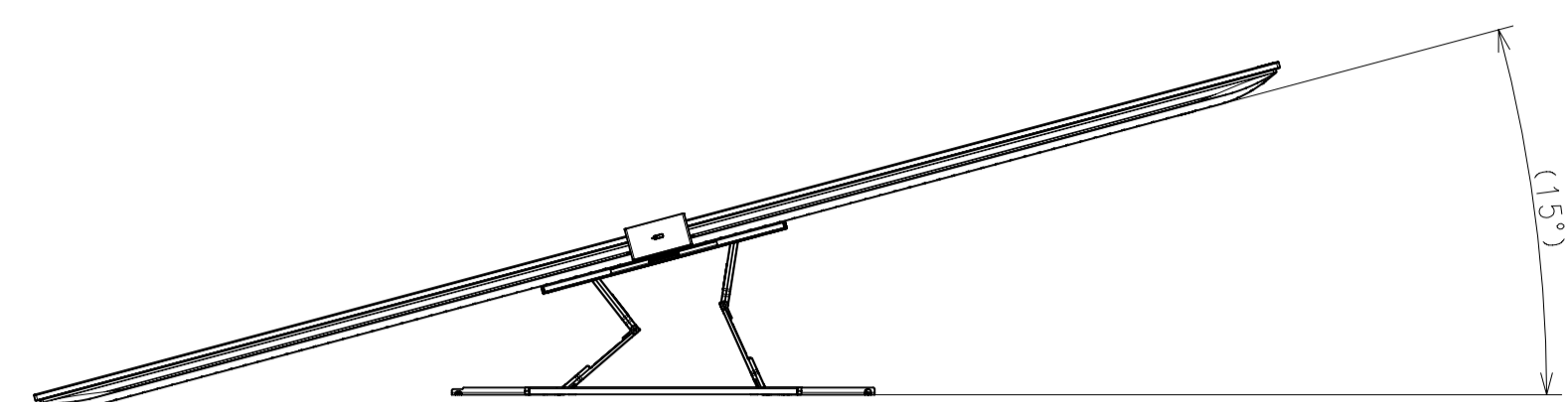
SONY STANDARD

DESCRIPTION 1	LEGAL OWNER	SCALE
77(A95L) EXTERIOR VIEW	Sony Corporation	1:1
DESCRIPTION 2	PART NO.	SHEET/PAGES
77(A95L) EXTERIOR VIEW		4 / 5



SU-WL850

SU-WL855 with LATERAL SHAFT BRACKET



DESCRIPTION 1	LEGAL OWNER	SCALE
77(A95L) EXTERIOR VIEW	Sony Corporation	1:1
DESCRIPTION 2	PART NO.	SHEET/PAGES
77(A95L) EXTERIOR VIEW		5 / 5