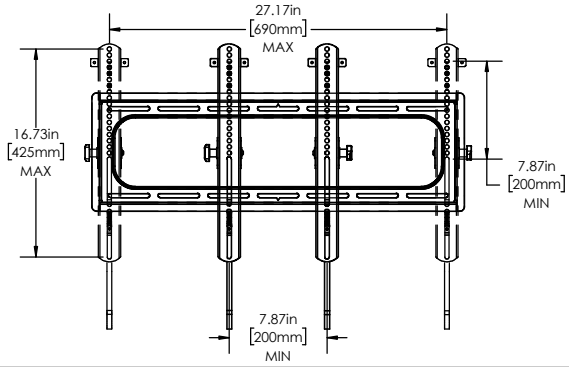


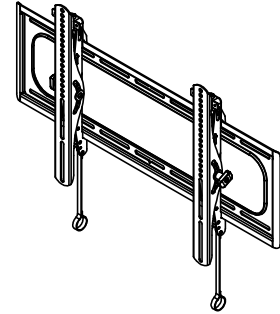
TV INTERFACE



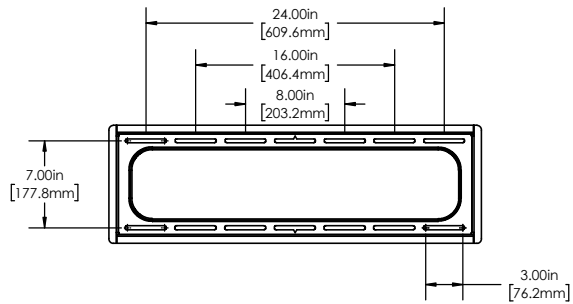
**LARGE TILT OUTDOOR MOUNT
 6805-002459-XXX**

THE INFORMATION AND DESIGNS CONTAINED IN THIS DRAWING ARE CONFIDENTIAL AND THE PROPRIETARY PROPERTY OF LEGRAND | AV. NEITHER THIS DESIGN NOR ANY INFORMATION CONTAINED IN THIS DRAWING MAY BE REPRODUCED OR DISCLOSED TO OTHERS WITHOUT THE EXPRESS WRITTEN CONSENT OF LEGRAND | AV.
 本图纸所包含的信息和设计均系 LEGRAND | AV 机密和知识产权。本图纸包含的设计和信息未经 LEGRAND | AV 书面同意均不得复制或泄露给他人。

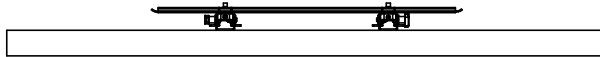
3-D



WALL PLATE

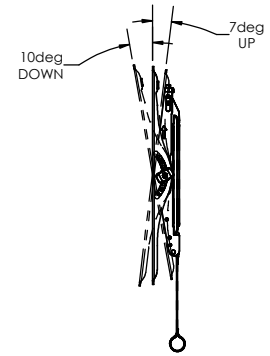


TOP VIEW - TV MOUNTED

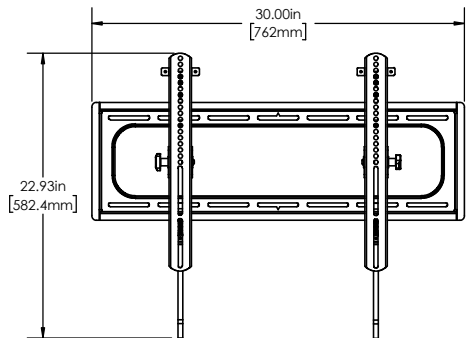


SIMULATED 65" FLAT SCREEN TV

SIDE VIEW - TILT



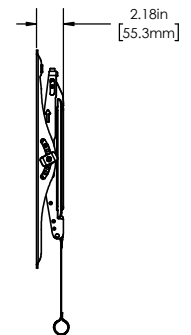
FULLY ASSEMBLED MOUNT



TOP VIEW



SIDE VIEW



LARGE TILT OUTDOOR MOUNT 6805-002459-XXX

