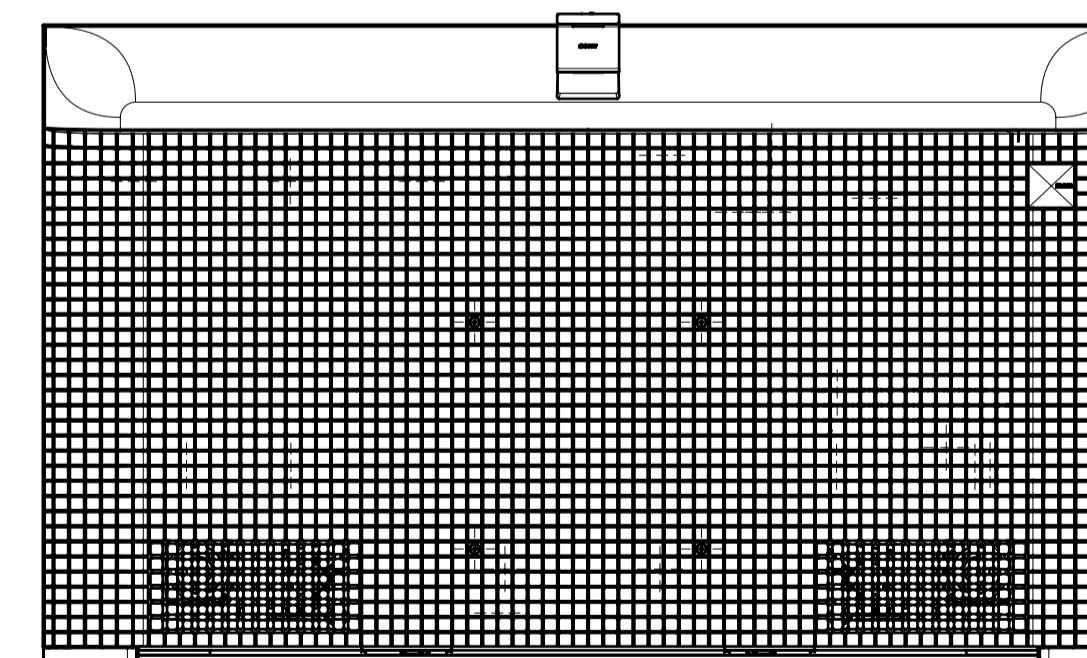
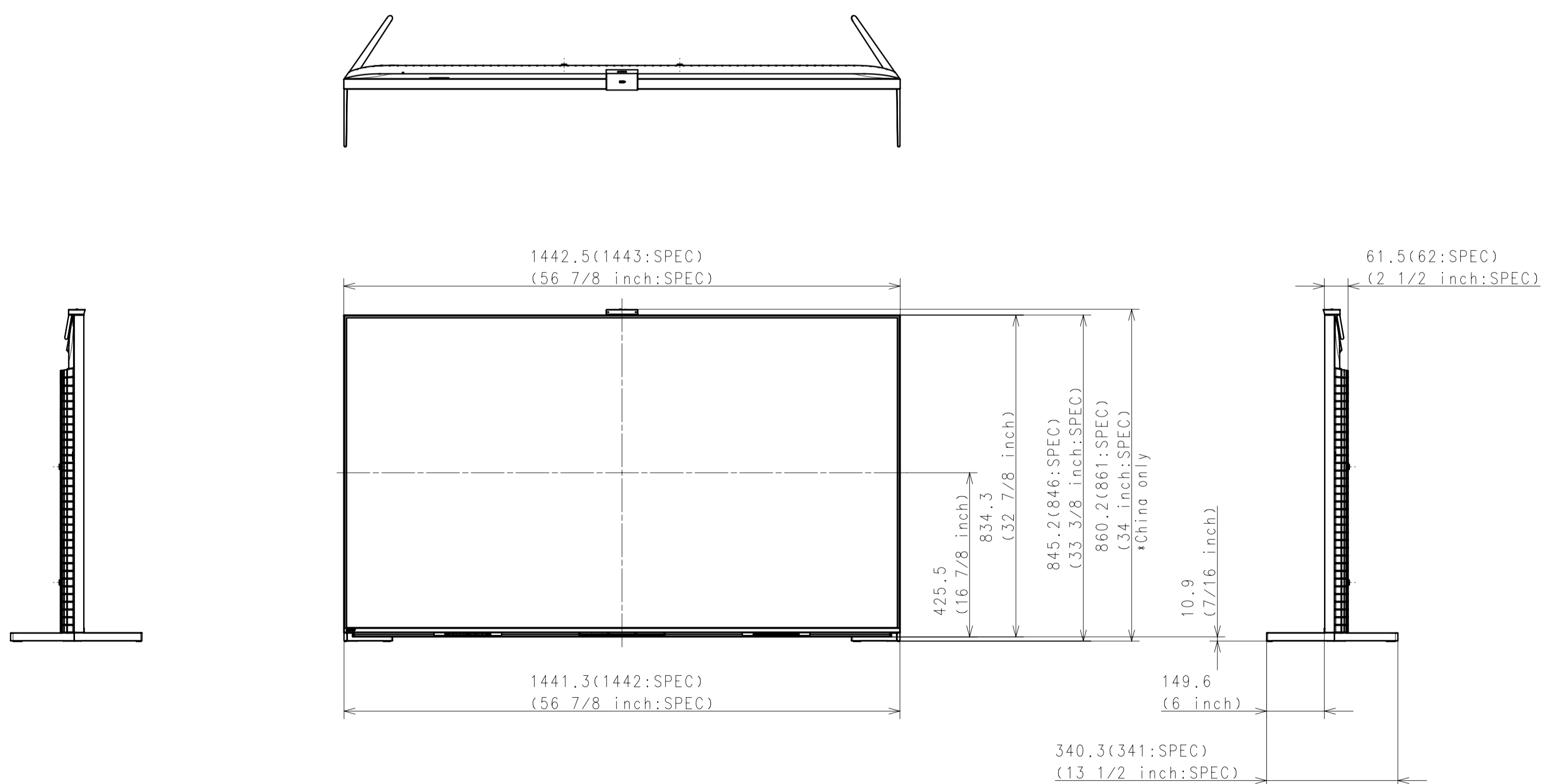


Area	JAPAN		EUROPE	GENERAL AREA	CHINA
Model Name	XRJ-65X95L		XR-65X95L	XR-65X95L	XR-65X95EL
SV No.	SV-41329		SV-41300	SV-41138	SV-41256
DIMENSION	TV only (W x H x D)	144.3 x 83.5 x 6.2 (3.99) cm	Approx. 144.3 x 83.5 x 6.2 (3.99) cm	Approx. 144.3 x 83.5 x 6.2 (39.9) mm	Approx. 144.3 x 83.5 x 6.2 (39.9) mm
	TV only with camera (W x H x D)	-	-	-	Approx. 144.3 x 85.0 x 6.4 (52.6) mm
	TV with Stand (Standard position) (W x H x D)	144.3 x 84.6 x 34.1 cm	Approx. 144.3 x 84.6 x 34.1 cm	Approx. 144.3 x 84.6 x 34.1 mm	Approx. 144.3 x 86.1 x 34.1 mm
	TV with Stand (Narrow position) (W x H x D)	144.3 x 85.8 x 34.1 cm	Approx. 144.3 x 85.8 x 34.1 cm	Approx. 144.3 x 85.8 x 34.1 mm	Approx. 144.3 x 87.3 x 34.1 mm
	TV with Stand (Soundbar position) (W x H x D)	144.3 x 90.7 x 34.1 cm	Approx. 144.3 x 90.7 x 34.1 cm	Approx. 144.3 x 90.7 x 34.1 mm	Approx. 144.3 x 92.2 x 34.1 mm
	TV with Stand (Front position style) (W x H x D)	-	-	-	-
	TV with Stand (Back position style) (W x H x D)	-	-	-	-
	TV with Floor Stand (W x H x D)	-	-	-	-
	Stand Width (Standard position)	144.2 cm	Approx. 144.2 cm	Approx. 144.2 mm	Approx. 144.2 mm
	Stand Width (Narrow position)	50.0 cm	Approx. 50.0 cm	Approx. 50.0 mm	Approx. 50.0 mm
Stand Width (Soundbar position)	144.2 cm	Approx. 144.2 cm	Approx. 144.2 mm	Approx. 144.2 mm	
Stand Width (Front position style)	-	-	-	-	
Stand Width (Back position style)	-	-	-	-	
Floor Stand Width	-	-	-	-	
VESA Hole Pitch	30.0 x 30.0 cm	30.0 x 30.0 cm	300 x 300 mm	300 x 300 mm	
WEIGHT	TV Only	32.2 kg	Approx. 32.2 kg	Approx. 32.2 kg	Approx. 32.2 kg
	TV with Stand (Standard position)	33.7 kg	Approx. 33.7 kg	Approx. 33.7 kg	Approx. 33.8 kg
	TV with Stand (Narrow position)	33.7 kg	Approx. 33.7 kg	Approx. 33.7 kg	Approx. 33.8 kg
	TV with Stand (Soundbar position)	33.7 kg	Approx. 33.7 kg	Approx. 33.7 kg	Approx. 33.8 kg
	TV with Stand (Front/Back position style)	-	-	-	-
	TV with Floor Stand	-	-	-	-
	Floor Stand weight (Supply)	-	-	-	-
Remarks	3way	3way	3way	3way	

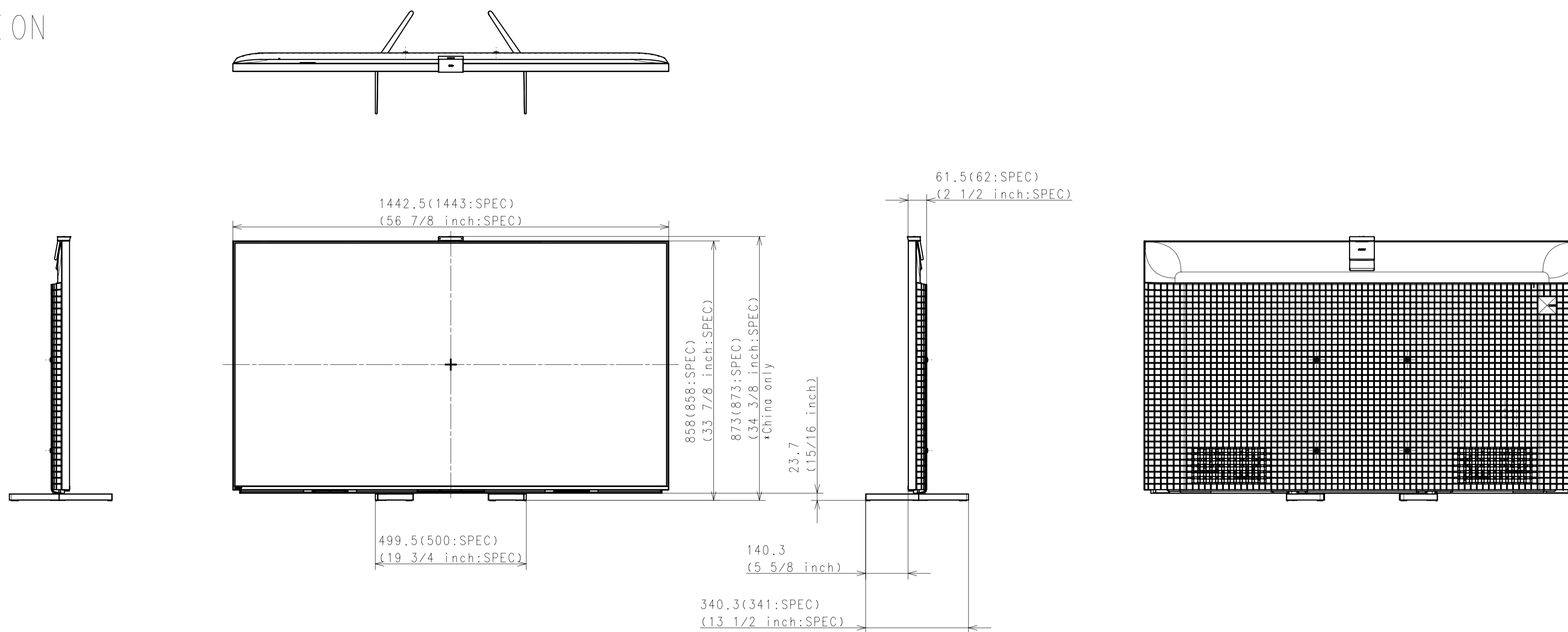
WITH STAND
STANDARD POSITION



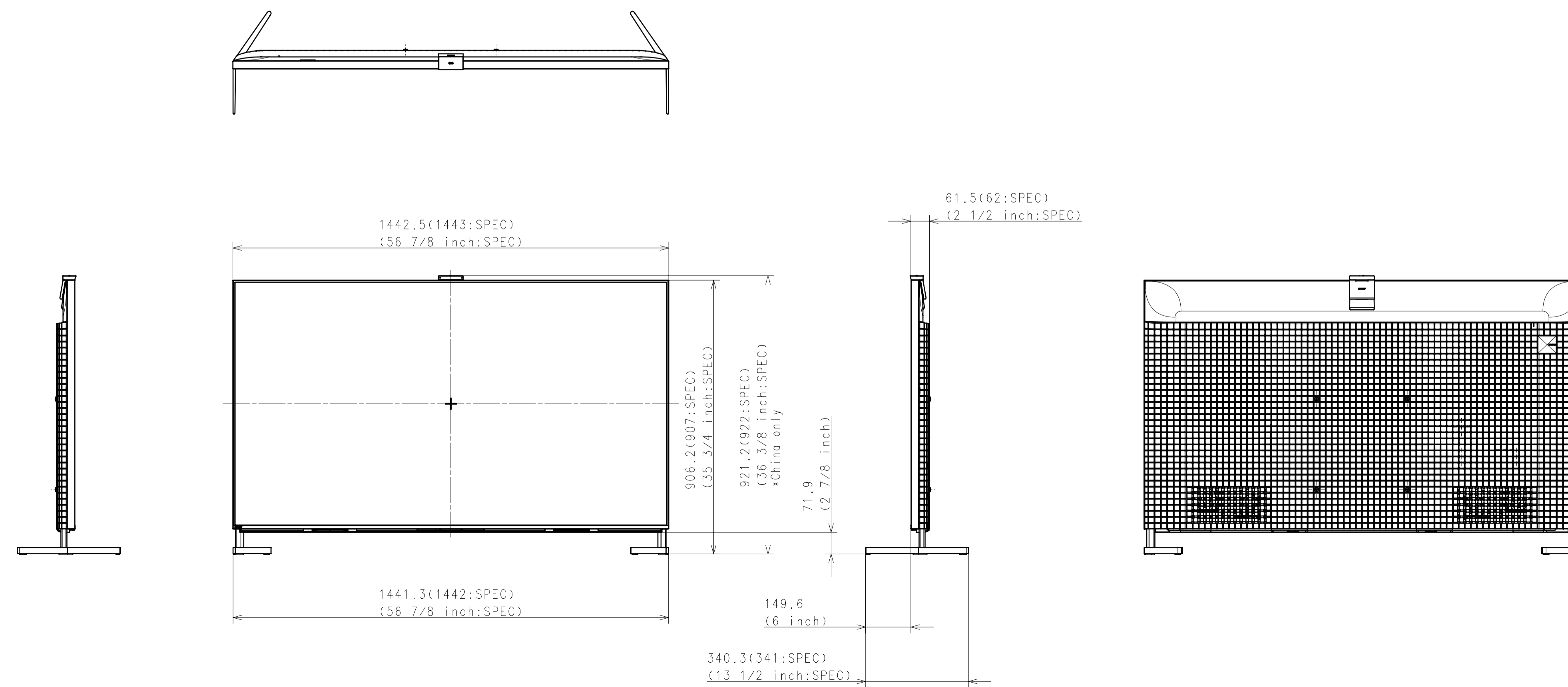
Purchase recycled resins and wire rods only from the business partners that Sony approves as Green Partners.
再生樹脂・鋼線はグリーンパートナー認定受注先から調達が必須とします。

HISTORY X COUNT	SUFFIX AREA NO. REV.	RELEASE NO. DATE	REVISION	SIGN.	GENERAL TOLERANCE		DATE OF ISSUE 2022.10.17	DOCUMENT TYPE PART	TOLERANCING DRAWING (JIS & JIS/ISO BASIS)
					MATERIAL COLOR	FINISH/COLOR			
					LEGAL OWNER				
Sony Corporation			RESPONSIBLE DEPARTMENT HES-TV Div.		ORIGINAL MODEL	DESCRIPTIONS 65(X95L) EXTERIOR VIEW			
DRAWN BY Hiraki, Tomochika			CHECKED BY		APPROVED BY	SCALE 1:10	TENTATIVE MODEL	DESCRIPTIONS 65(X95L) EXTERIOR VIEW	
DRAWN BY Hiraki, Tomochika			CHECKED BY		APPROVED BY	SCALE 1:10	TENTATIVE MODEL	DESCRIPTIONS 65(X95L) EXTERIOR VIEW	
DRAWN BY Hiraki, Tomochika			CHECKED BY		APPROVED BY	SCALE 1:10	TENTATIVE MODEL	DESCRIPTIONS 65(X95L) EXTERIOR VIEW	
DRAWN BY Hiraki, Tomochika			CHECKED BY		APPROVED BY	SCALE 1:10	TENTATIVE MODEL	DESCRIPTIONS 65(X95L) EXTERIOR VIEW	
DRAWN BY Hiraki, Tomochika			CHECKED BY		APPROVED BY	SCALE 1:10	TENTATIVE MODEL	DESCRIPTIONS 65(X95L) EXTERIOR VIEW	

WITH STAND
NARROW POSITION

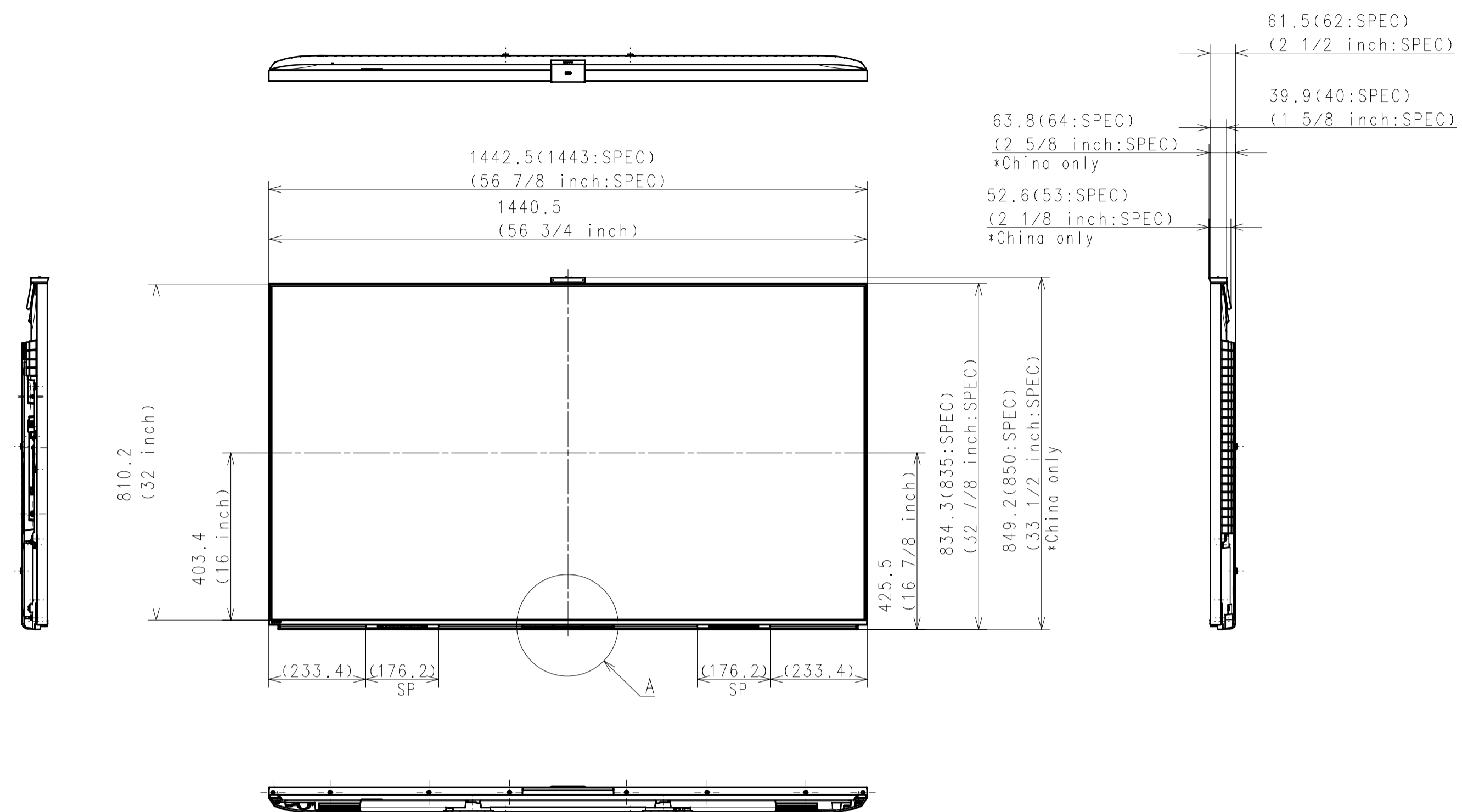


WITH STAND
SOUND BAR POSITION

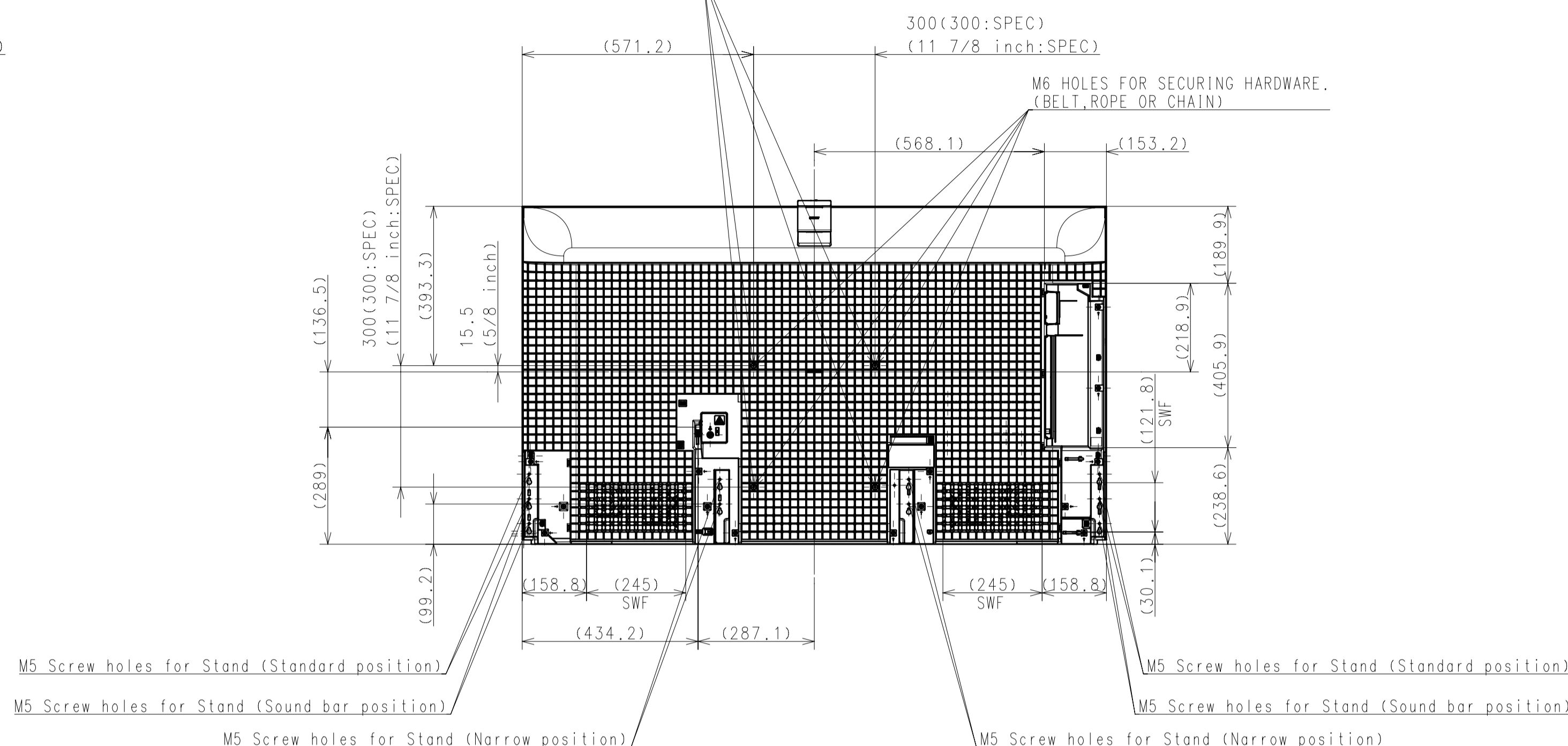


DESCRIPTION 1	LEGAL OWNER	SCALE
65(X95L) EXTERIOR VIEW	Sony Corporation	1:10
DESCRIPTION 2	PART NO.	SHEET/PAGES
65(X95L) EXTERIOR VIEW		2 / 5

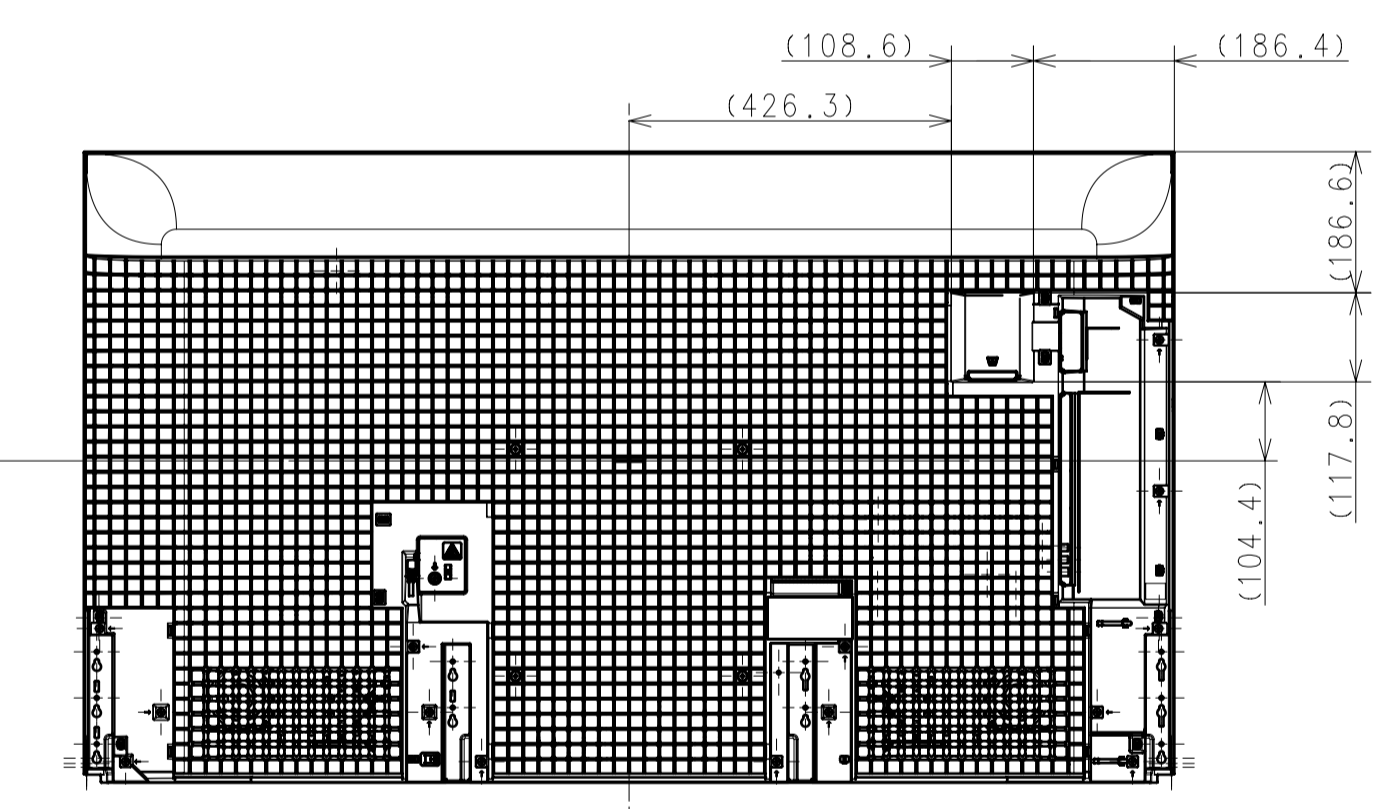
WITHOUT STAND



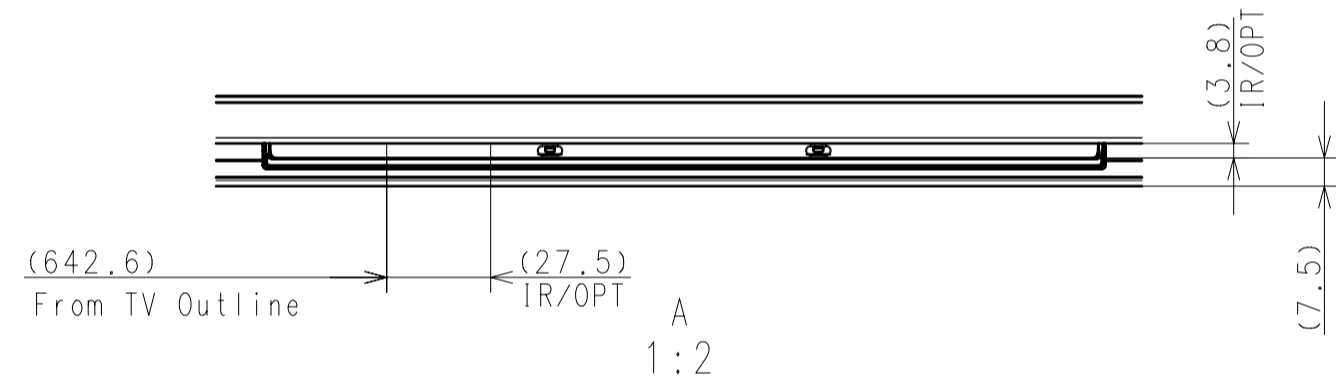
M6 HOLES FOR WALL MOUNT BRACKET
*REFER TO INSTRUCTION MANUAL FOR SCREW LENGTH INFORMATION



FOR EXCEPT EUROPE

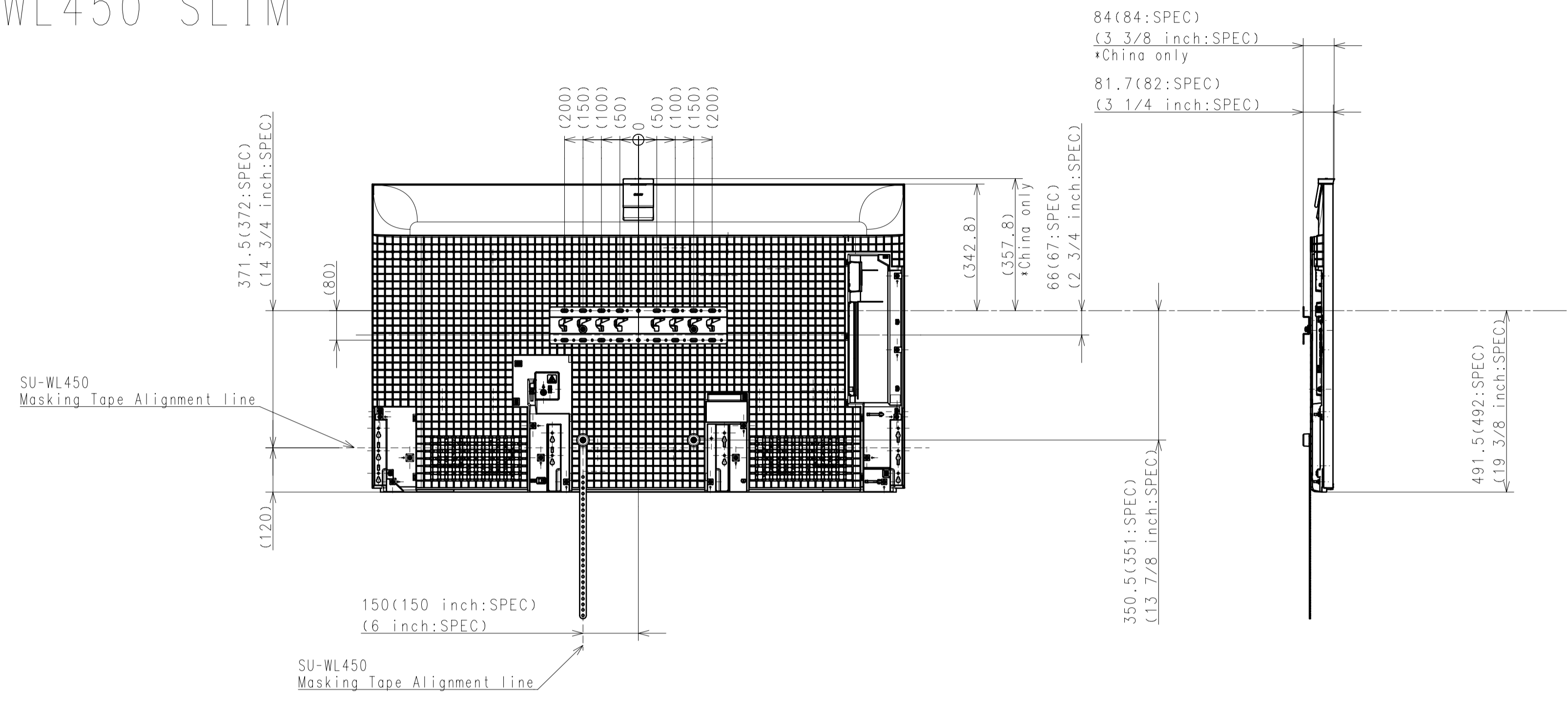


FOR EUROPE

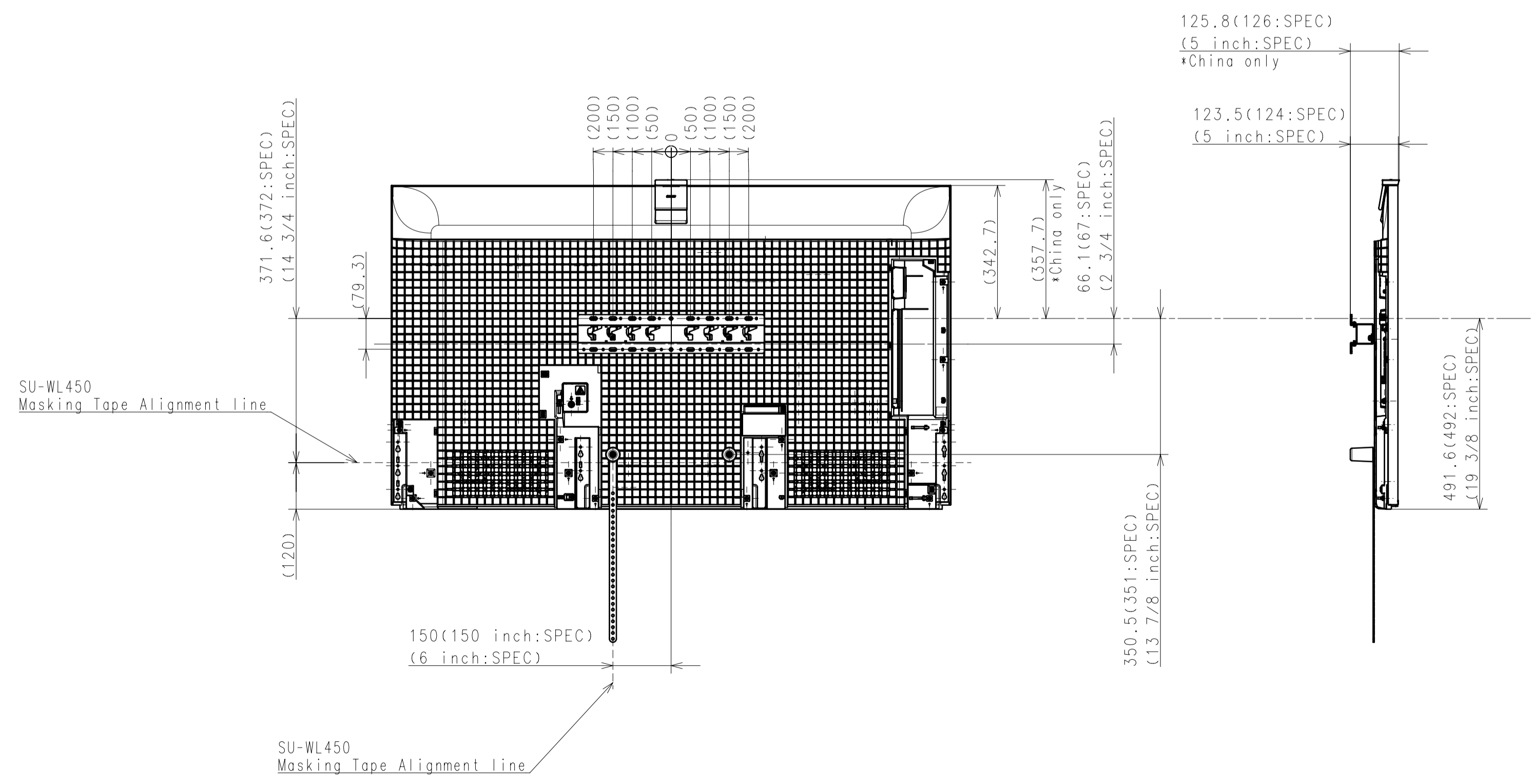


DESCRIPTION 1	65(X95L) EXTERIOR VIEW	LEGAL OWNER	Sony Corporation	SCALE	1:10
DESCRIPTION 2	65(X95L) EXTERIOR VIEW	PART NO.		SHEET/PAGES	3 / 5

SU-WL450 SLIM



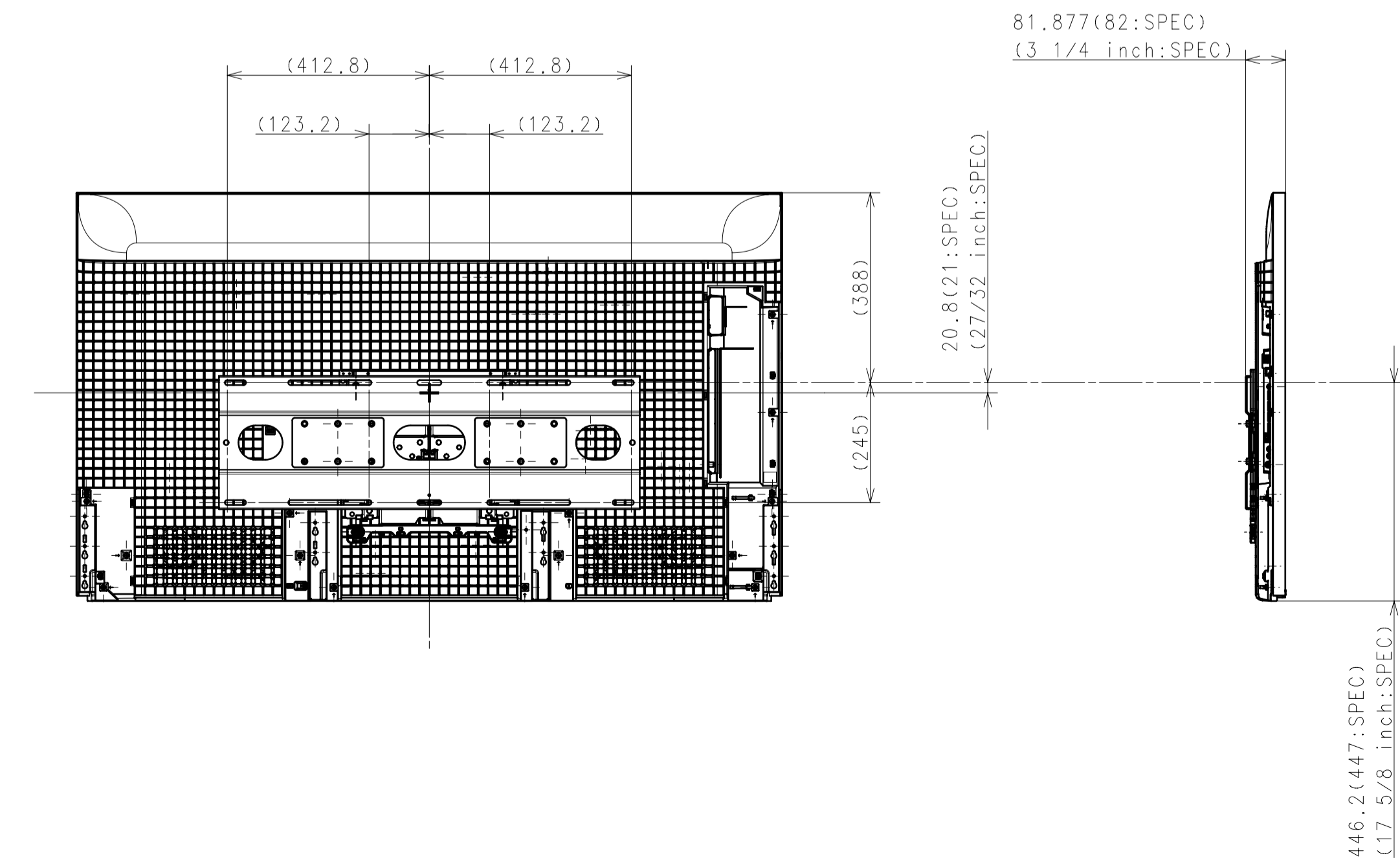
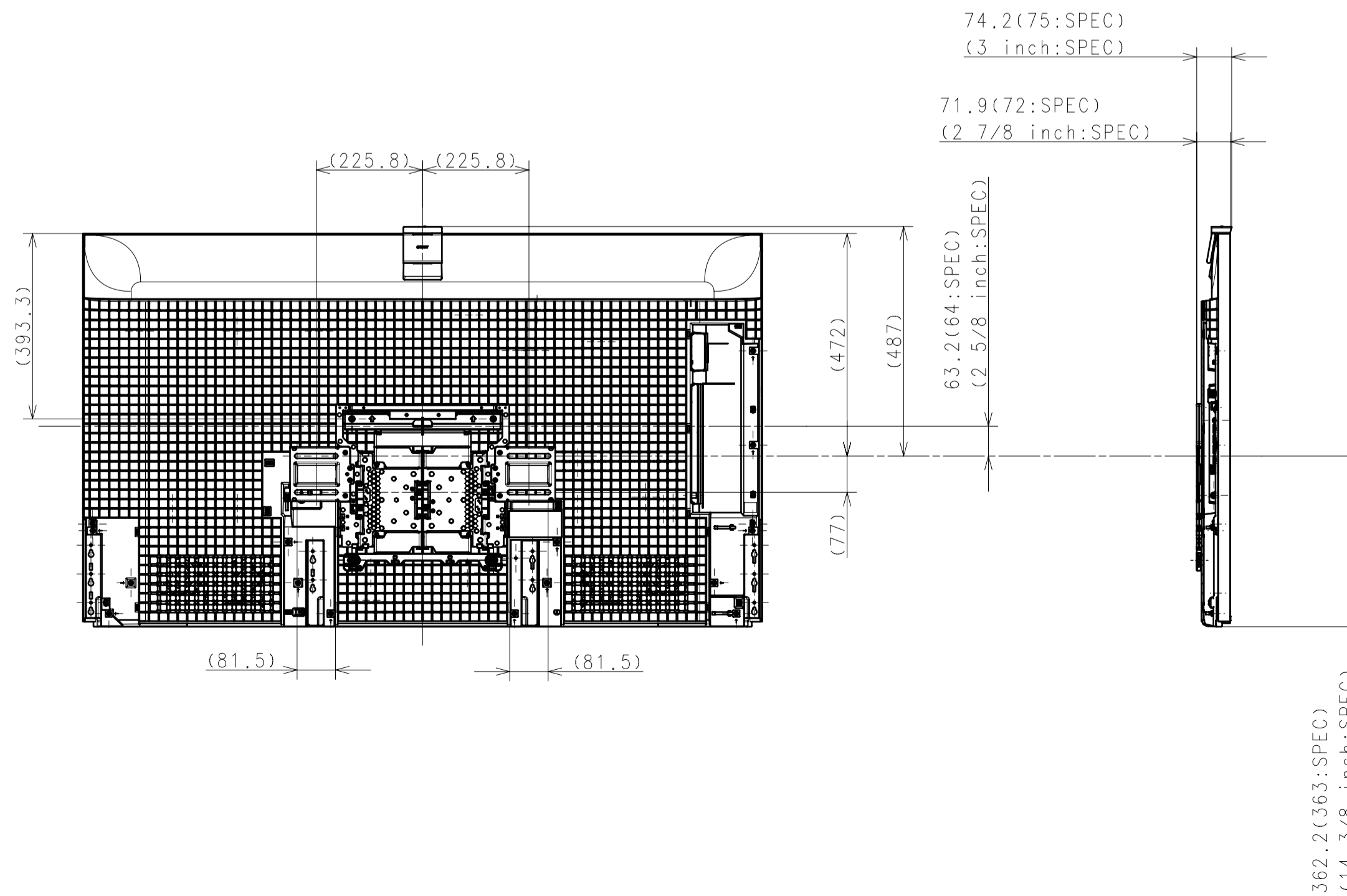
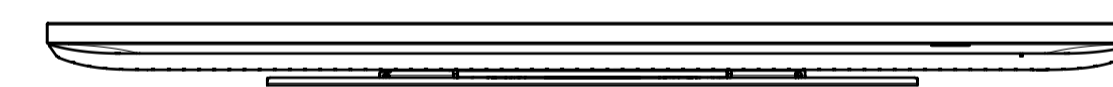
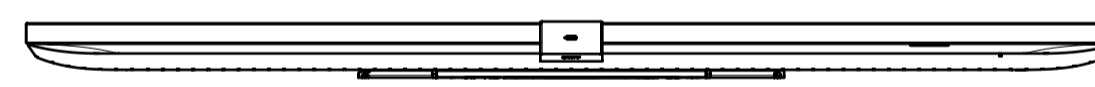
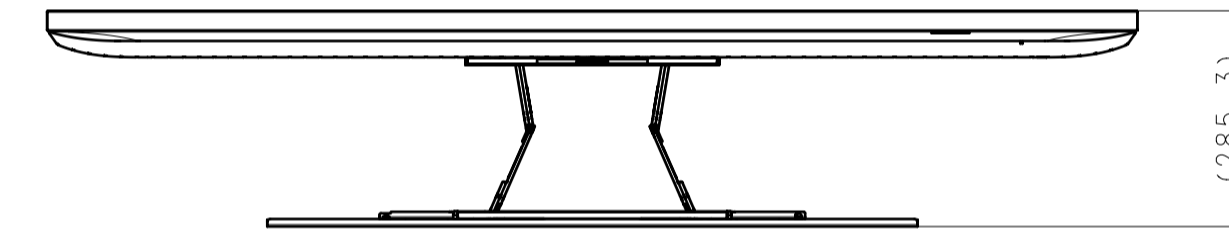
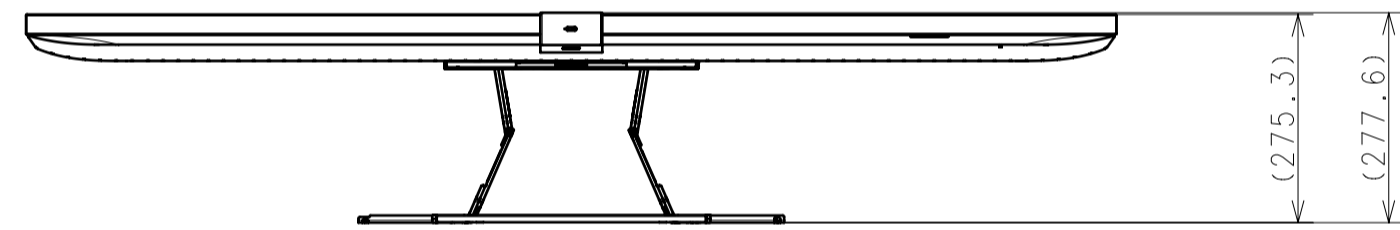
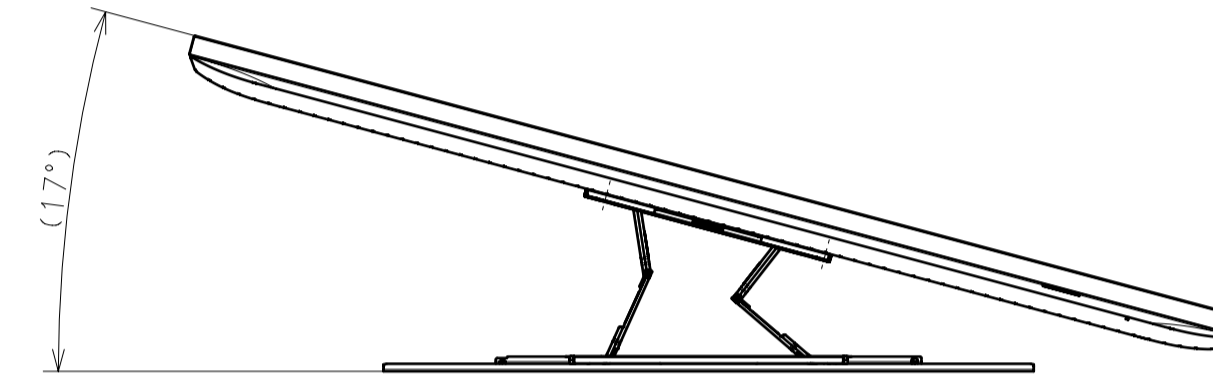
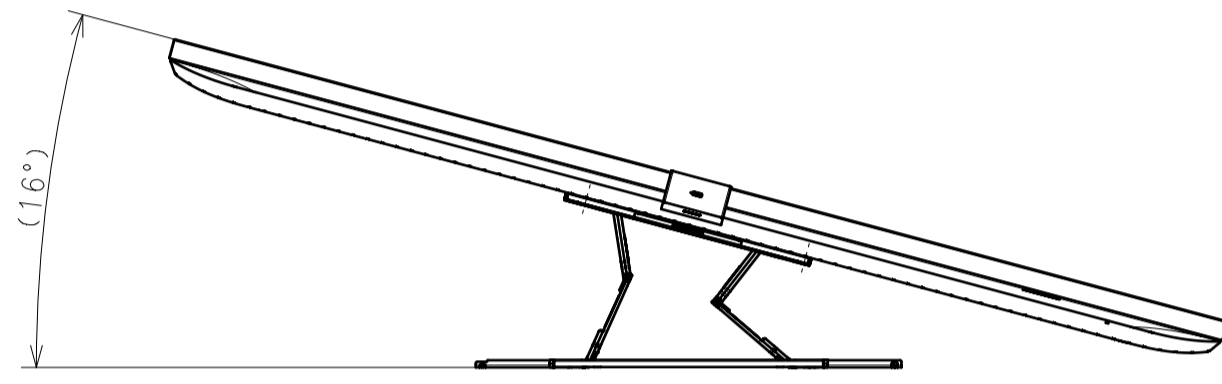
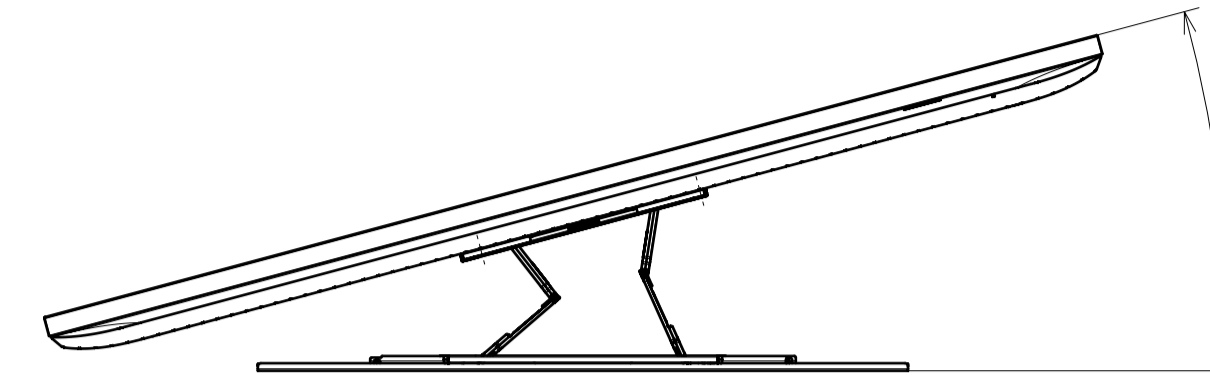
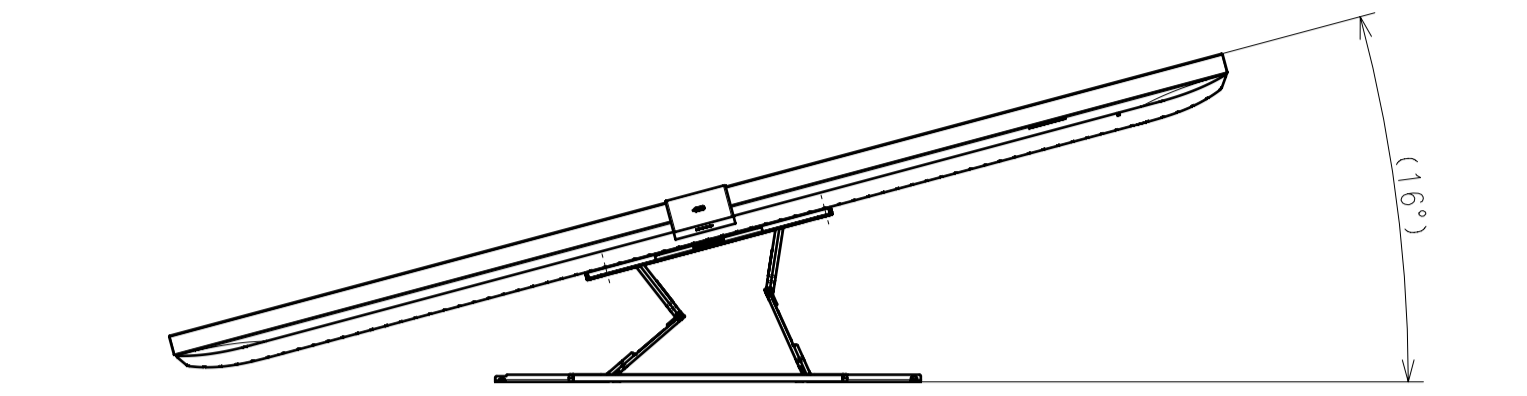
SU-WL450 STANDARD



DESCRIPTION 1	LEGAL OWNER	SCALE
65(X95L) EXTERIOR VIEW	Sony Corporation	1:10
DESCRIPTION 2	PART NO.	SHEET/PAGES
65(X95L) EXTERIOR VIEW		4 / 5

SU-WL850

SU-WL855 WITH LATERAL SHAFT BRACKET



DESCRIPTION1 65(X95L) EXTERIOR VIEW	LEGAL OWNER Sony Corporation	SCALE 1:10
DESCRIPTION2 65(X95L) EXTERIOR VIEW	PART NO.	SHEET/PAGES 5 / 5