

SCREEN CONFIGURATION SUMMARY

PROJECT: WP22-07592 - MAXINCEEL 4680 VWH

SCREEN: PRINMAX-INCEEL-00163 - 4680-MAX-INCEEL-1.78-VWH-M05

SCREEN:

PRINMAX-INCEEL-00163

Description: 4680-MAX-INCEEL-1.78-VWH-M05
Description 2: Overall size 5.200X3.064 mm
Screen Model: Max-Inceel
Native Aspect Ratio: 1.78 Widescreen TV (16:9)
Fabric: Vision White
Screen Finishing: Max Float Tensio 5
Dimension Range: 4680 mm Viewing Area

OPTIONS:

Bracket Options: Bracket for Outside Plasterboard Installation
Fabric Roll Assembly: Back Fall
Screen Mechanism: Somfy Standard Motor
Voltage: 230V 50Hz
Instructions: Adeo Screen Manual

ACCESSORIES:

QTY

Control System:

AROL0004: Interface RS232-RF-12V-Dry contact for Screen - 1 interface control 1 motor (for Biformat 2 interface) 1

TOTAL, EXCLUDING FREIGHT & LOCAL TAXES:

Customer:

AWE EUROPE LTD
Alexander House 3A, Blenheim Road
EPSOM
KT19 9AP
GB

Phone: [REDACTED]

Email: [REDACTED]

Website: www.awe-europe.com

Comments:

SCREEN CONFIGURATION SUMMARY

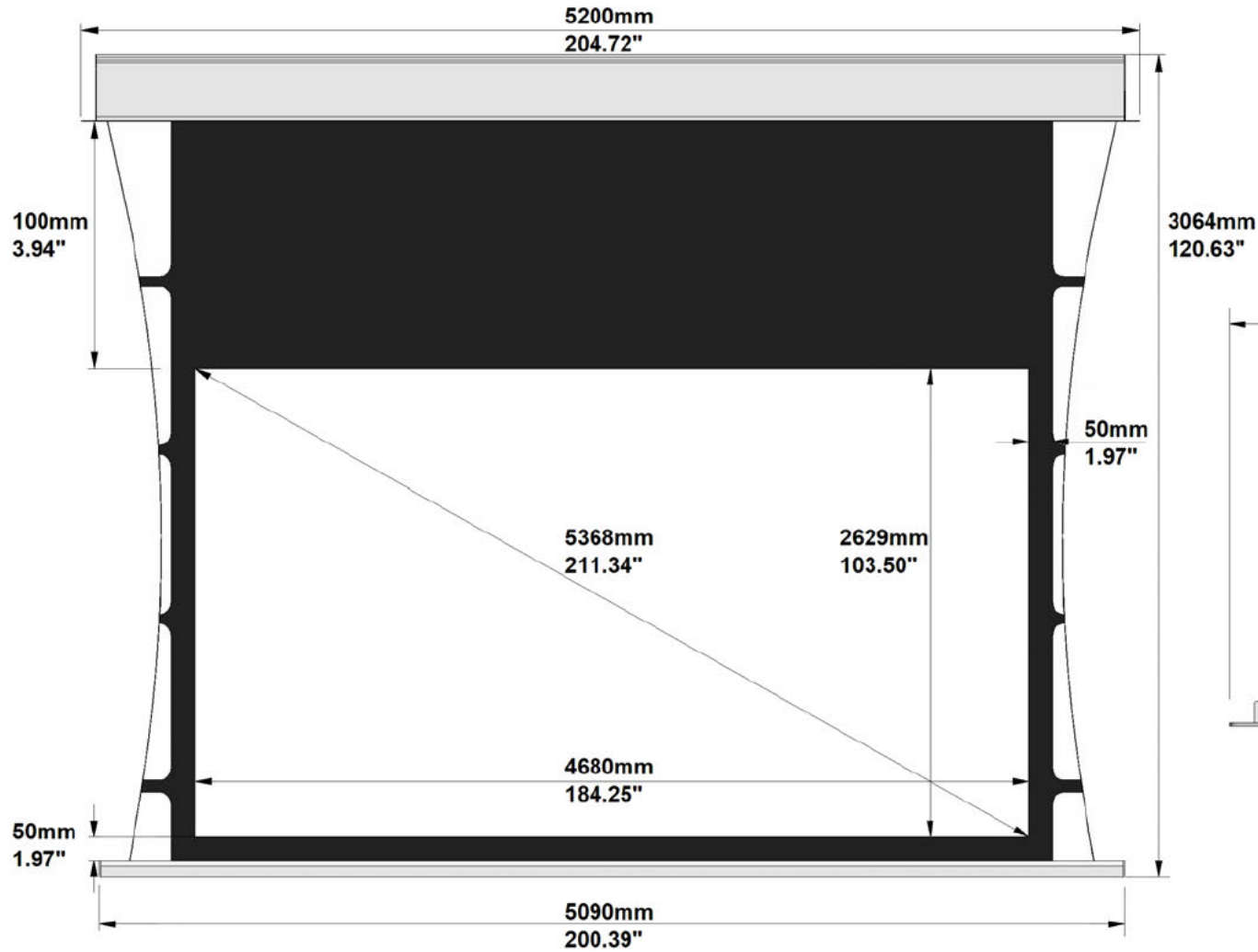
PROJECT: WP22-07592 - MAXINCEEL 4680 VWH

SCREEN: PRINMAX-INCEEL-00163 - 4680-MAX-INCEEL-1.78-VWH-M05

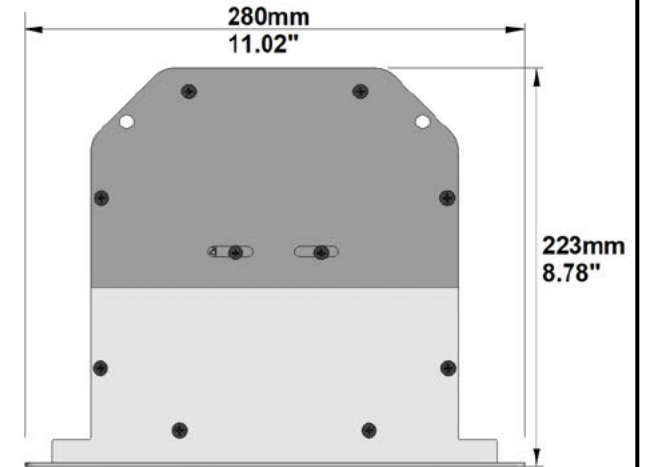
TOLERANCE:

	<= 2500mm	<= 4000mm	<= 8000mm
Structure and Components	± 3mm	± 5mm	± 10mm
Projection Fabric	± 1%		

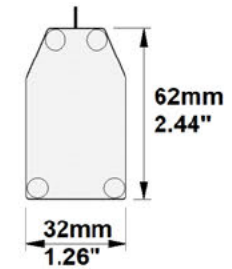
Autogenerated Drawing - Not in Scale



CASING DETAIL



LOWBAR DETAIL

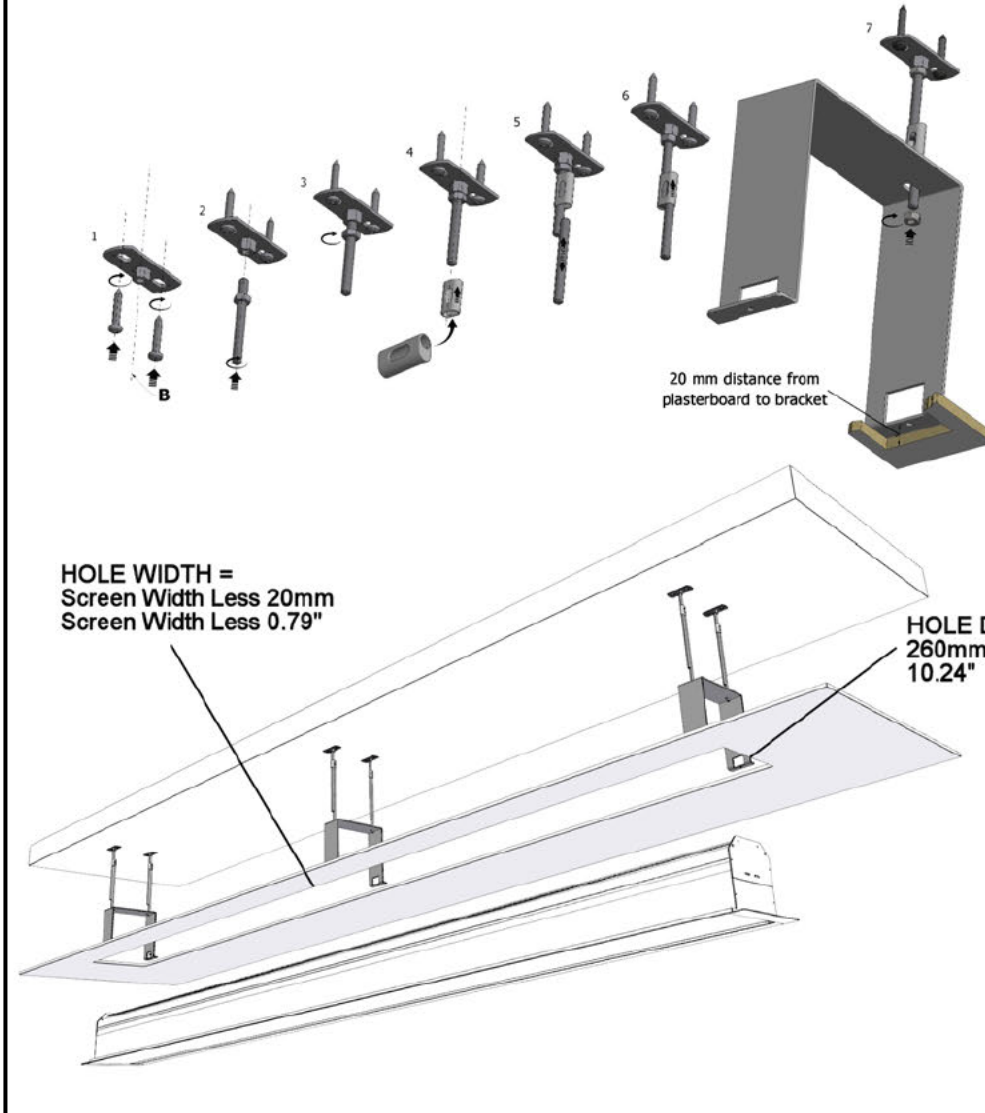


SCREEN CONFIGURATION SUMMARY

PROJECT: WP22-07592 - MAXINCEEL 4680 VWH

SCREEN: PRINMAX-INCEEL-00163 - 4680-MAX-INCEEL-1.78-VWH-M05

MOUNTING BRACKET AND INSTALLATION VIEW:



PACKAGING INFORMATION:

ESTIMATED SCREEN NET WEIGHT: 96.20Kg
211.60Lb

	SHIPPING DIMENSIONS				NUMBER OF BOXES	TOTAL SHIPPING WEIGHT	
	LENGTH	DEPTH	HEIGHT	PALLET HEIGHT		kg	lbs
mm	5380mm	290mm	320mm	430mm	1	111.10	244.42
inches	211.81"	11.42"	12.60"	16.93"		kg	lbs

Autogenerated Drawing - Not in Scale

