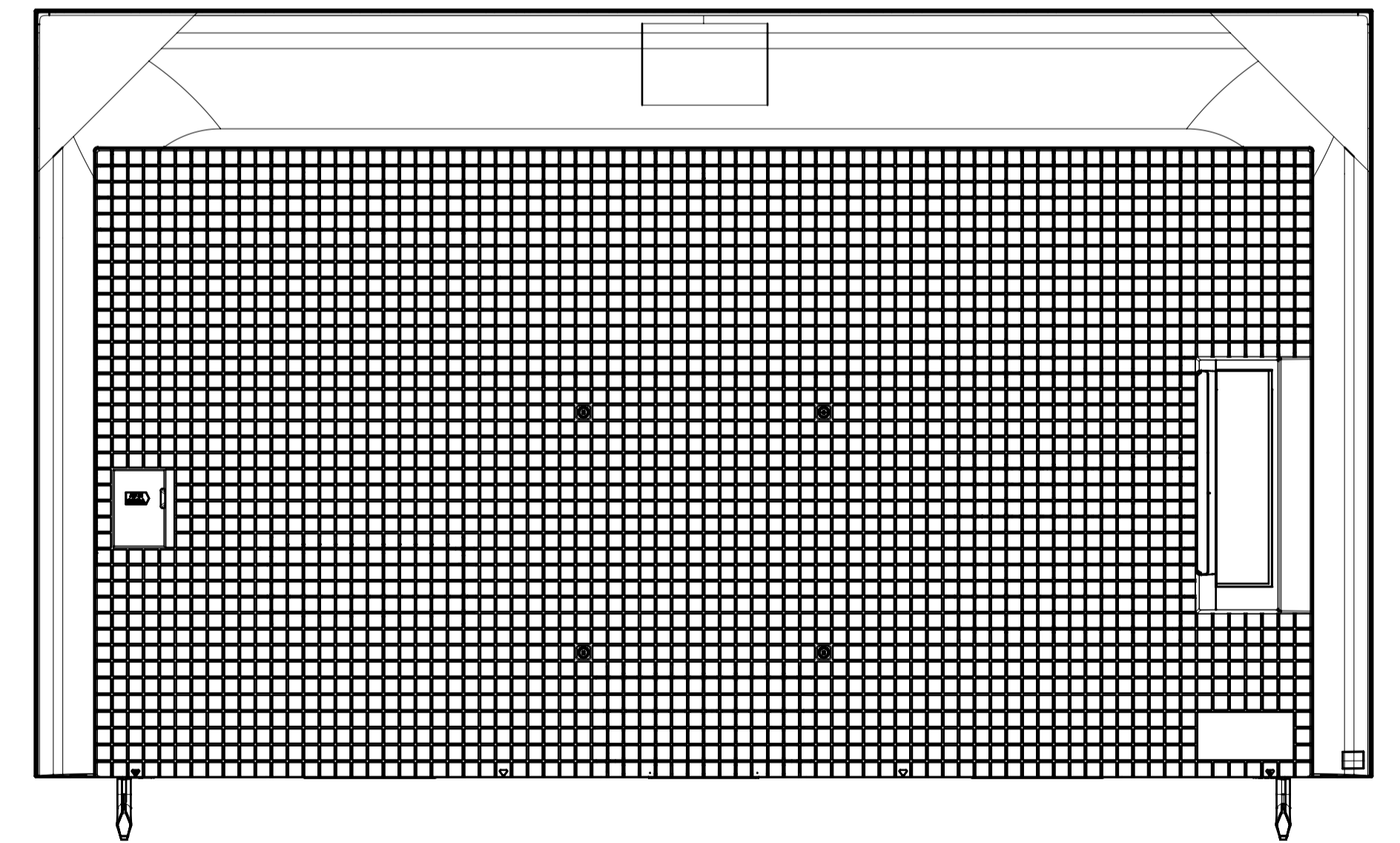
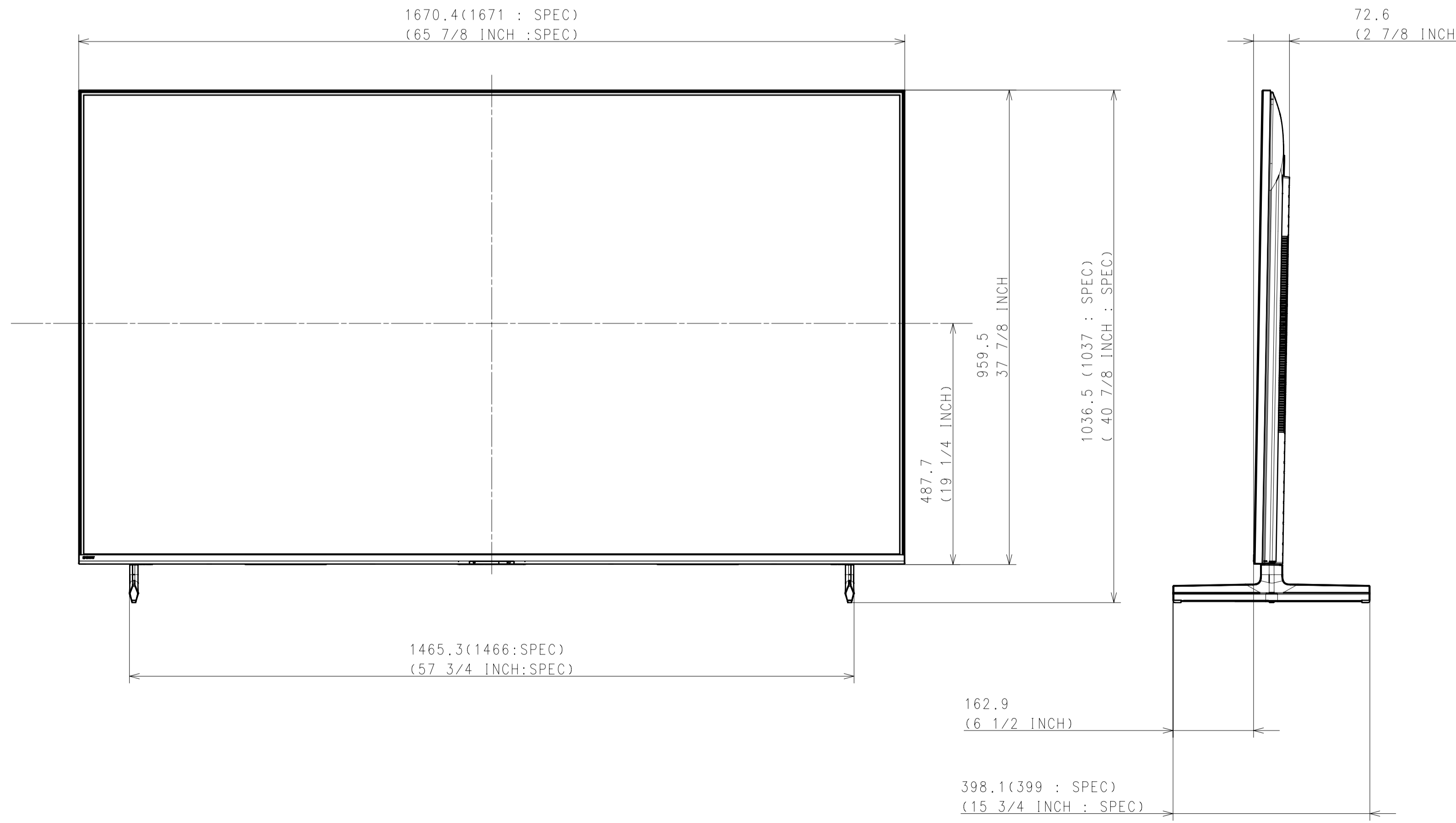
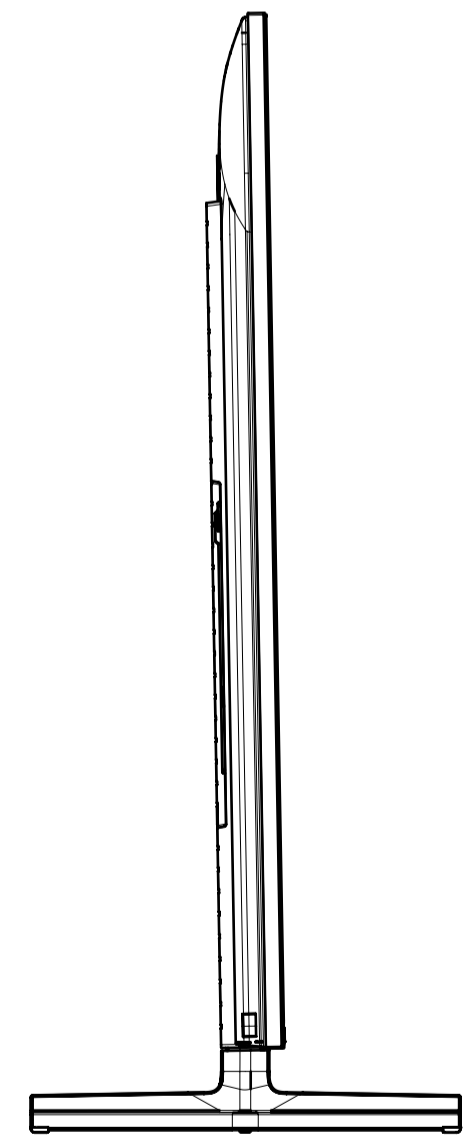
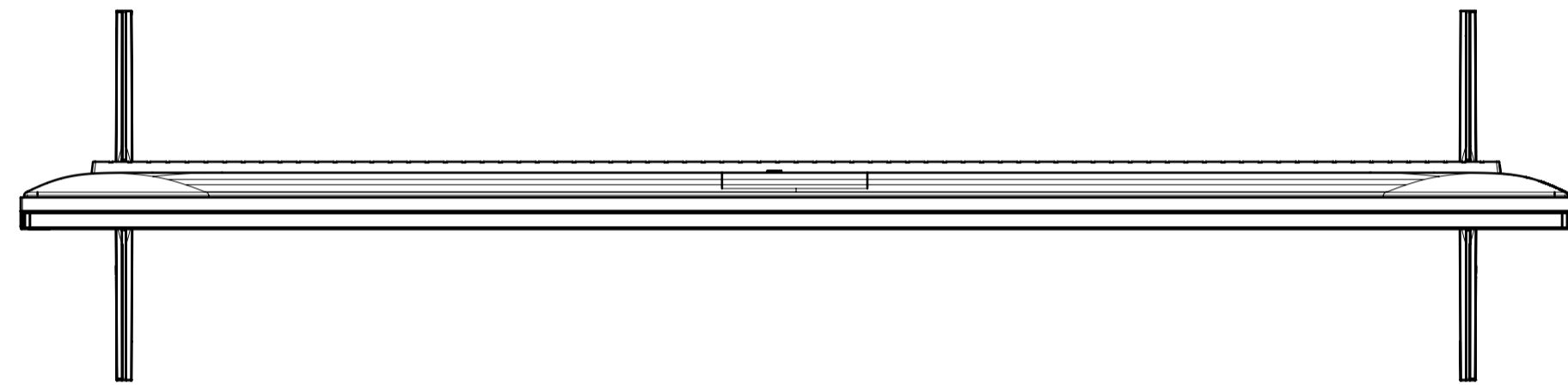


Area		EUROPE	GENERAL AREA	CHINA
Model Name		KD-75X85L	KD-75X85L	KD-75X85L
SV No.		SV-41533	SV-41444	SV-41501
DIMENSION	TV only (W x H x D)	Approx. 167.1 x 96.0 x 5.9 (4.67) cm	Approx. 167.1 x 96.0 x 5.9 (46.7) mm	Approx. 167.1 x 96.0 x 5.9 (46.7) mm
	TV only with camera (W x H x D)	-	-	-
	TV with Stand (Standard position) (W x H x D)	Approx. 167.1 x 103.7 x 39.9 cm	Approx. 167.1 x 103.7 x 39.9 mm	Approx. 167.1 x 103.7 x 39.9 mm
	TV with Stand (Narrow position) (W x H x D)	Approx. 167.1 x 103.7 x 39.9 cm	-	-
	TV with Stand (Soundbar position) (W x H x D)	-	-	-
	TV with Stand (Front position style) (W x H x D)	-	-	-
	TV with Stand (Back position style) (W x H x D)	-	-	-
	TV with Floor Stand (W x H x D)	-	-	-
	Stand Width (Standard position)	Approx. 146.6 cm	Approx. 1466 mm	Approx. 1466 mm
	Stand Width (Narrow position)	Approx. 54.2 cm	-	-
	Stand Width (Soundbar position)	-	-	-
	Stand Width (Front position style)	-	-	-
	Stand Width (Back position style)	-	-	-
	Floor Stand Width	-	-	-
	VESA Hole Pitch	30.0 x 30.0 cm	300 x 300 mm	300 x 300 mm
WEIGHT	TV Only	Approx. 34.3 kg	Approx. 34.3 kg	Approx. 34.3 kg
	TV with Stand (Standard position)	Approx. 35.8 kg	Approx. 35.8 kg	Approx. 35.8 kg
	TV with Stand (Narrow position)	Approx. 35.8 kg	-	-
	TV with Stand (Soundbar position)	-	-	-
	TV with Stand (Front/Back position style)	-	-	-
	TV with Floor Stand	-	-	-
	Floor Stand weight (Supply)	-	-	-
	W-M't Br. Weight (Supply)	-	-	-
Remarks		2way	1way	1way

WITH STAND
STANDARD POSITION

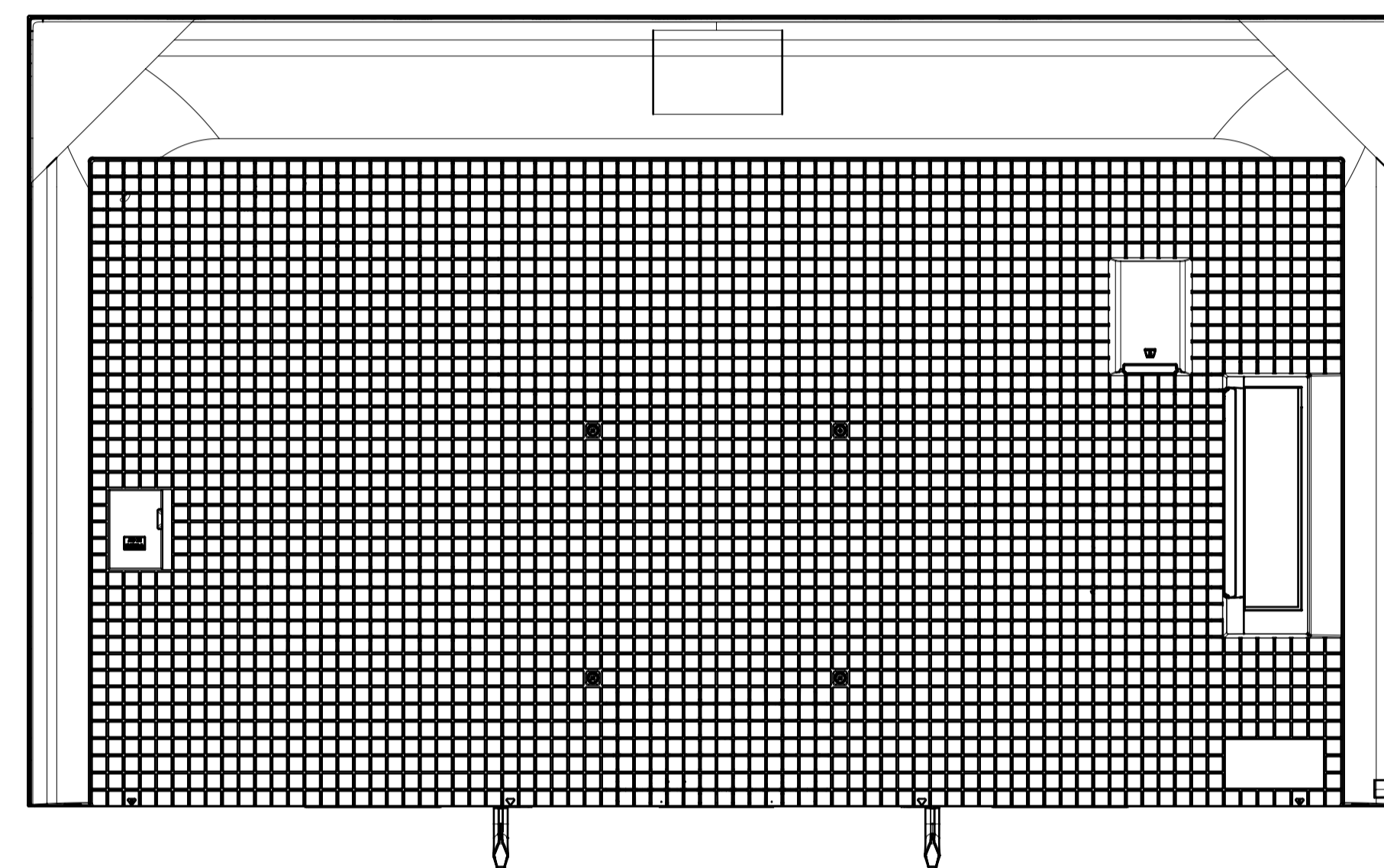
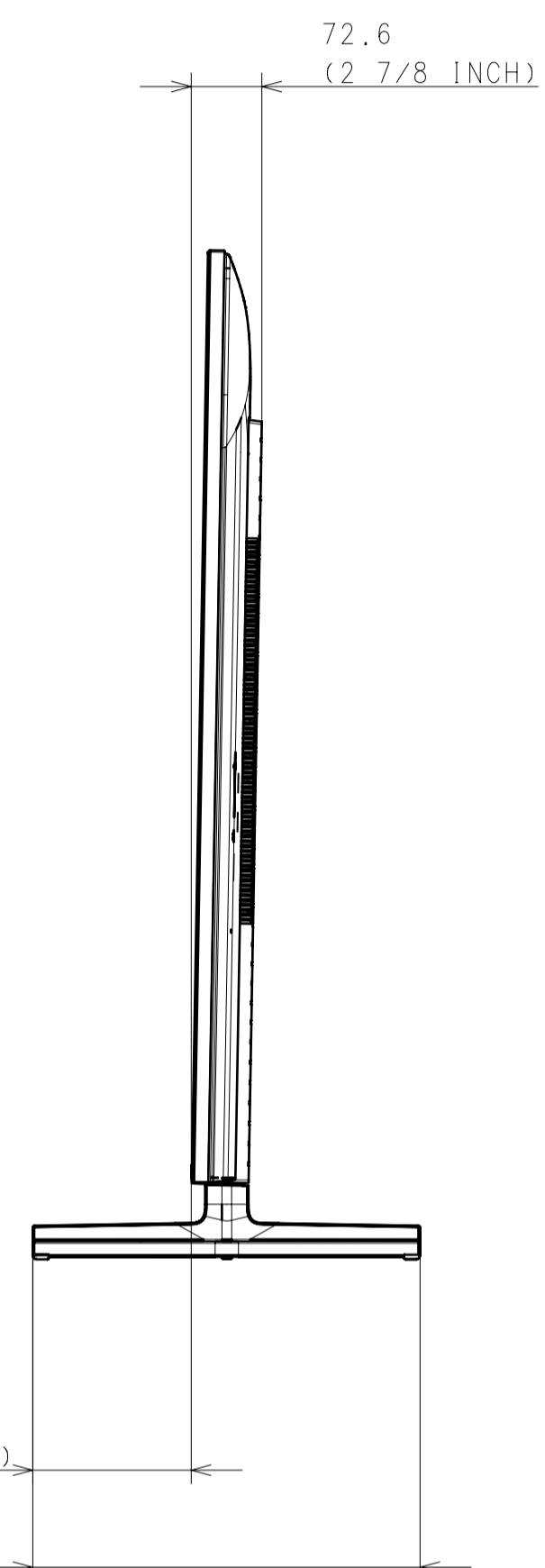
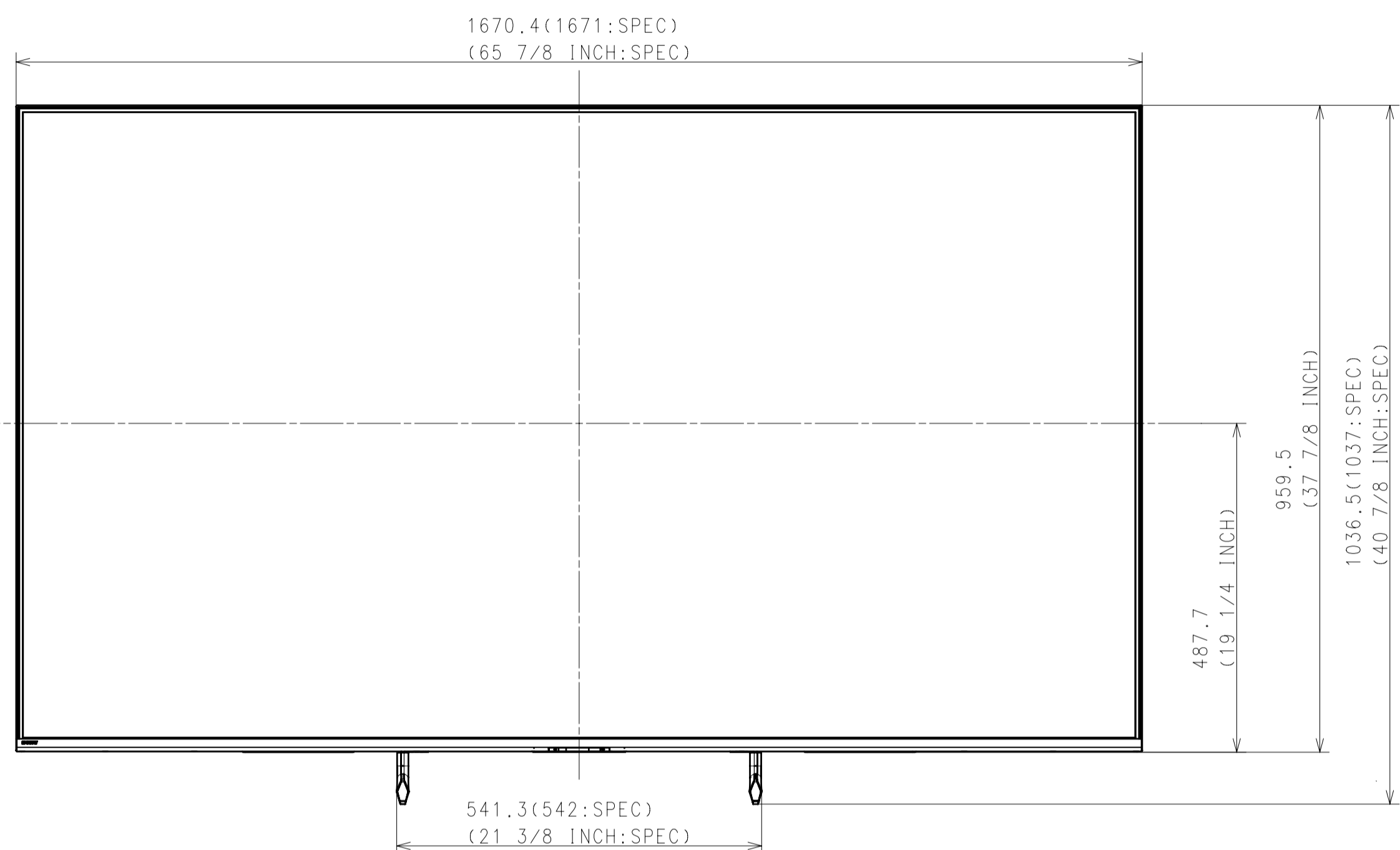
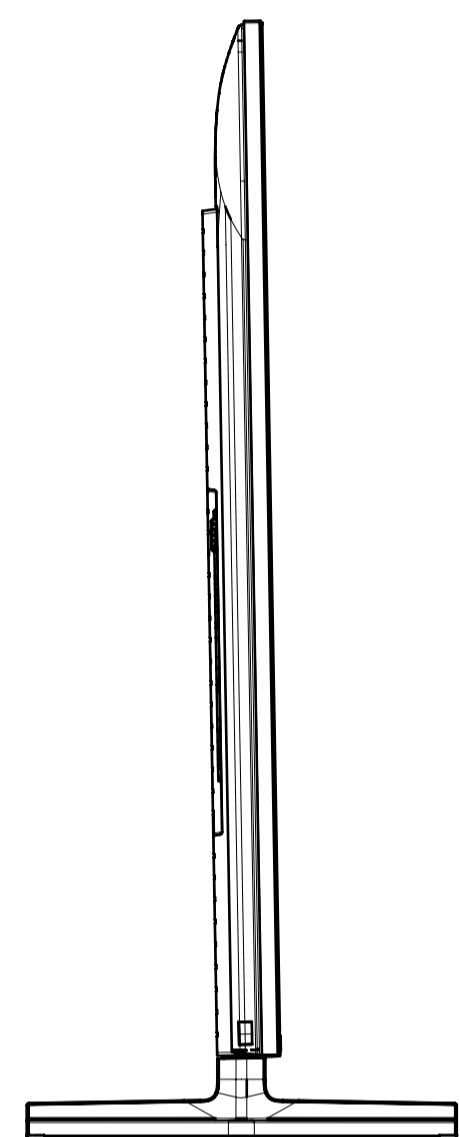
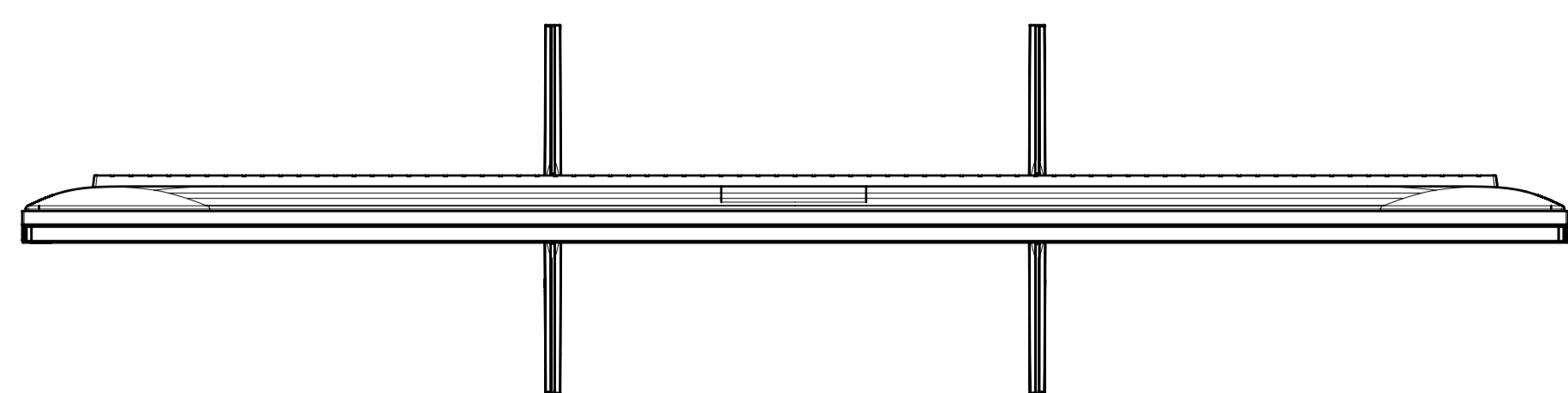


Purchase recycled resins and wire rods only from the business partners that Sony approves as Green Partners.
再生樹脂・銅線材はグリーンパートナー 協賛品から調達すること。

△A	△B	△C	△D	△E	△F	△G	△H	△I	△J	△K	△L	△M	△N	△O	△P	△Q	△R	△S	△T	△U	△V	△W	△X	△Y	△Z
HISTORY 1. COUNT 2. SUFFIX 3. PREL. NO. 4. REV. 5. DATE 6. REVISION 7. SIGN. 8. MATERIAL COLOR 9. FINISH COLOR 10. LEGAL OWNER Sony Corporation												GENERAL TOLERANCE DATE OF ISSUE 2022.12.23 DOCUMENT TYPE PART TOLERANCING DRAWING (JIS 0 (MELTISO) BASIS)													
RESPONSIBLE DEPARTMENT PANEL & MECHANICAL DESIGN PLANNED BY 2022.12.23 BAN FASHAN D51-MECH DRAWN BY 2022.12.23 BAN FASHAN D51-MECH												ORIGINAL MODEL 75 (X85L) EXTERIOR VIEW TENTATIVE MODEL 75 (X85L) EXTERIOR VIEW SCALE 1:7 SIZE A1 UNIT mm PART NO. SUFFIX REV. NO. SHEET/PAGES 1/6													

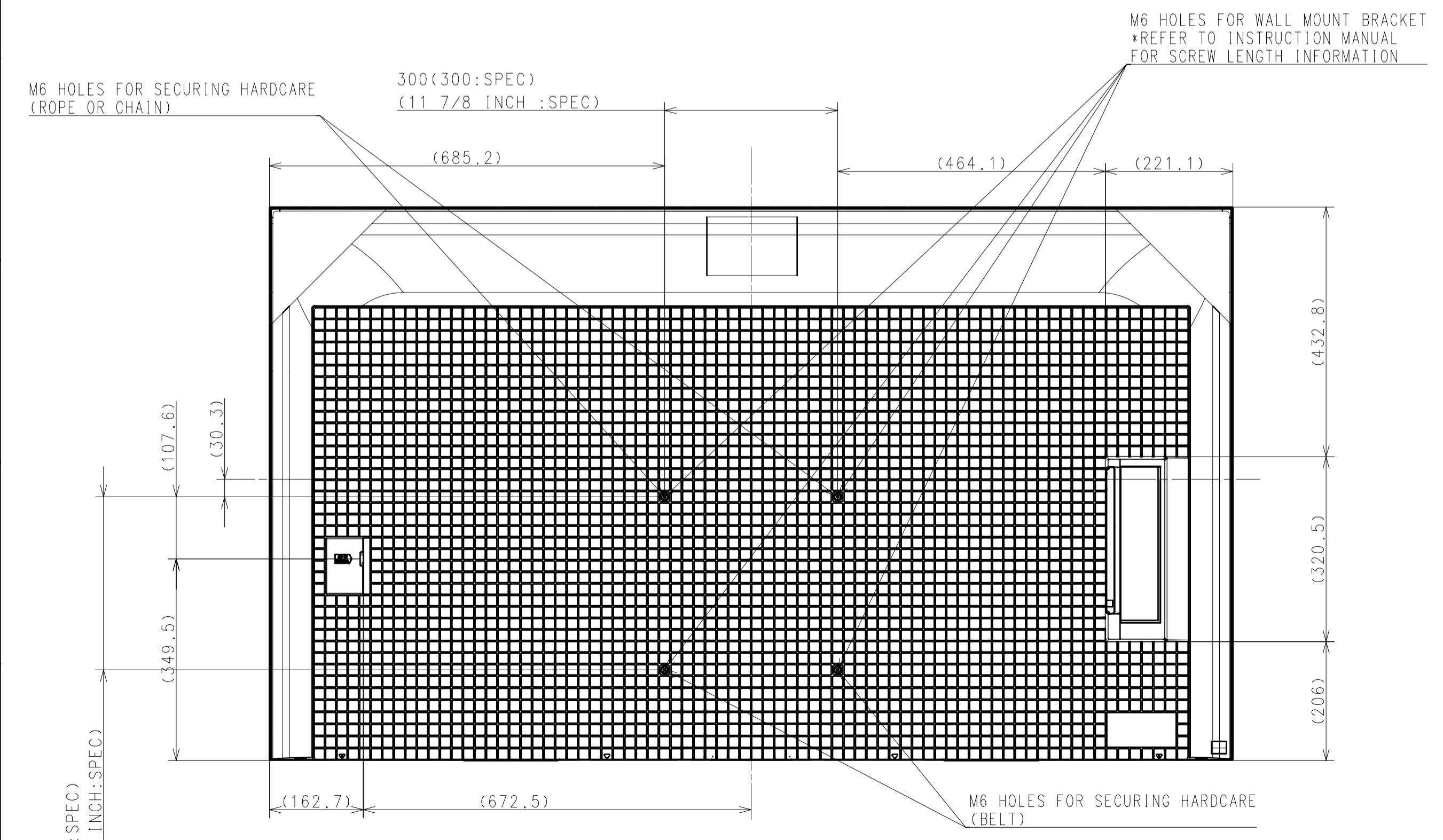
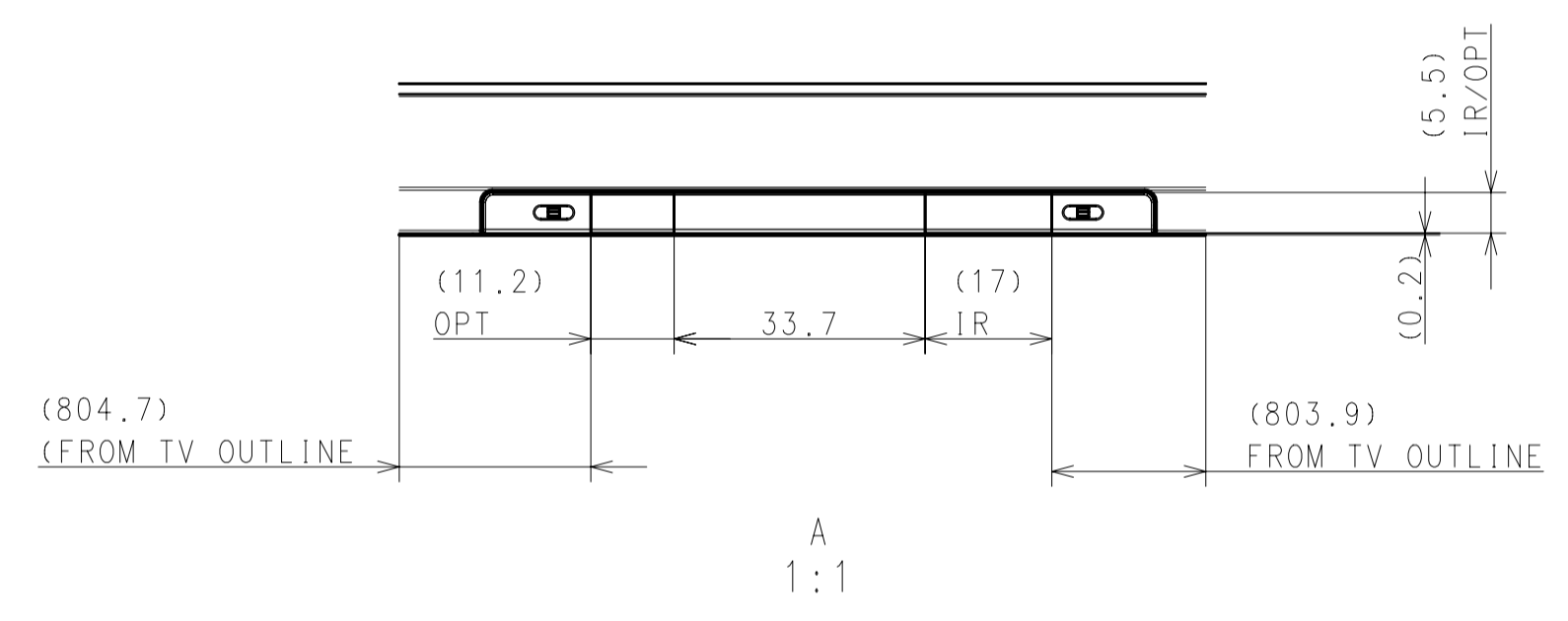
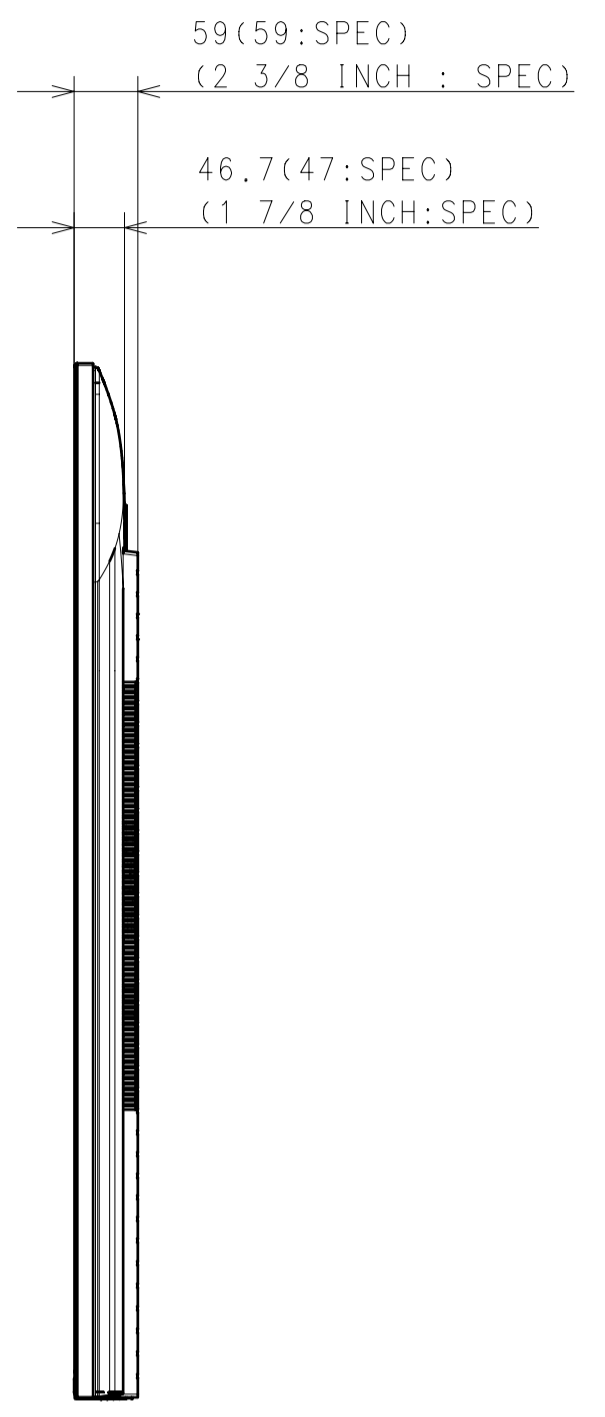
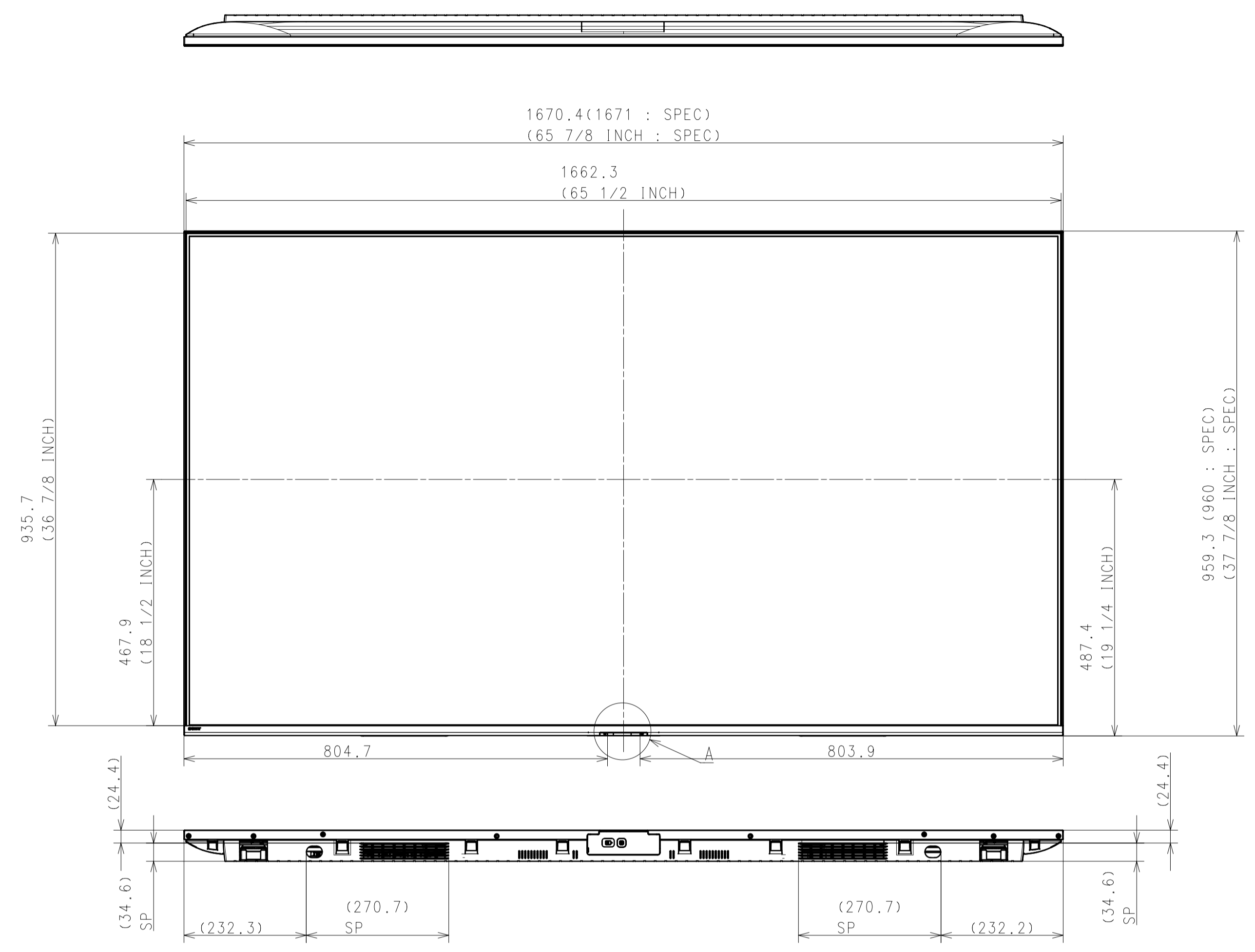
WITH STAND

NARROW POSITION



DESCRIPTION	LEGAL OWNER	SCALE
75 (X85L) EXTERIOR VIEW	Sony Corporation	1:7
DESCRIPTION	PART NO.	SHEET/PAGES
75 (X85L) EXTERIOR VIEW		2 / 6

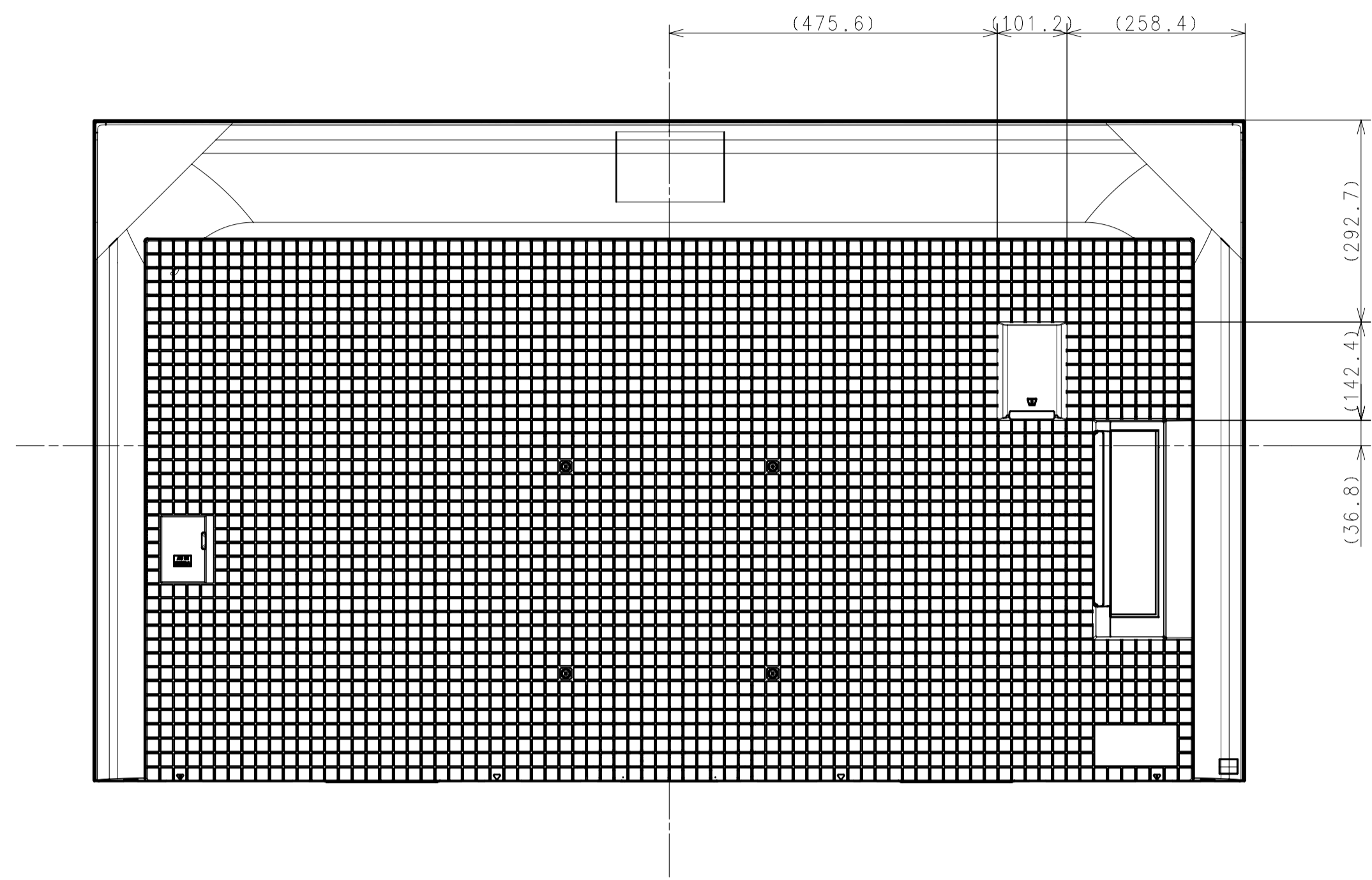
WITHOUT STAND



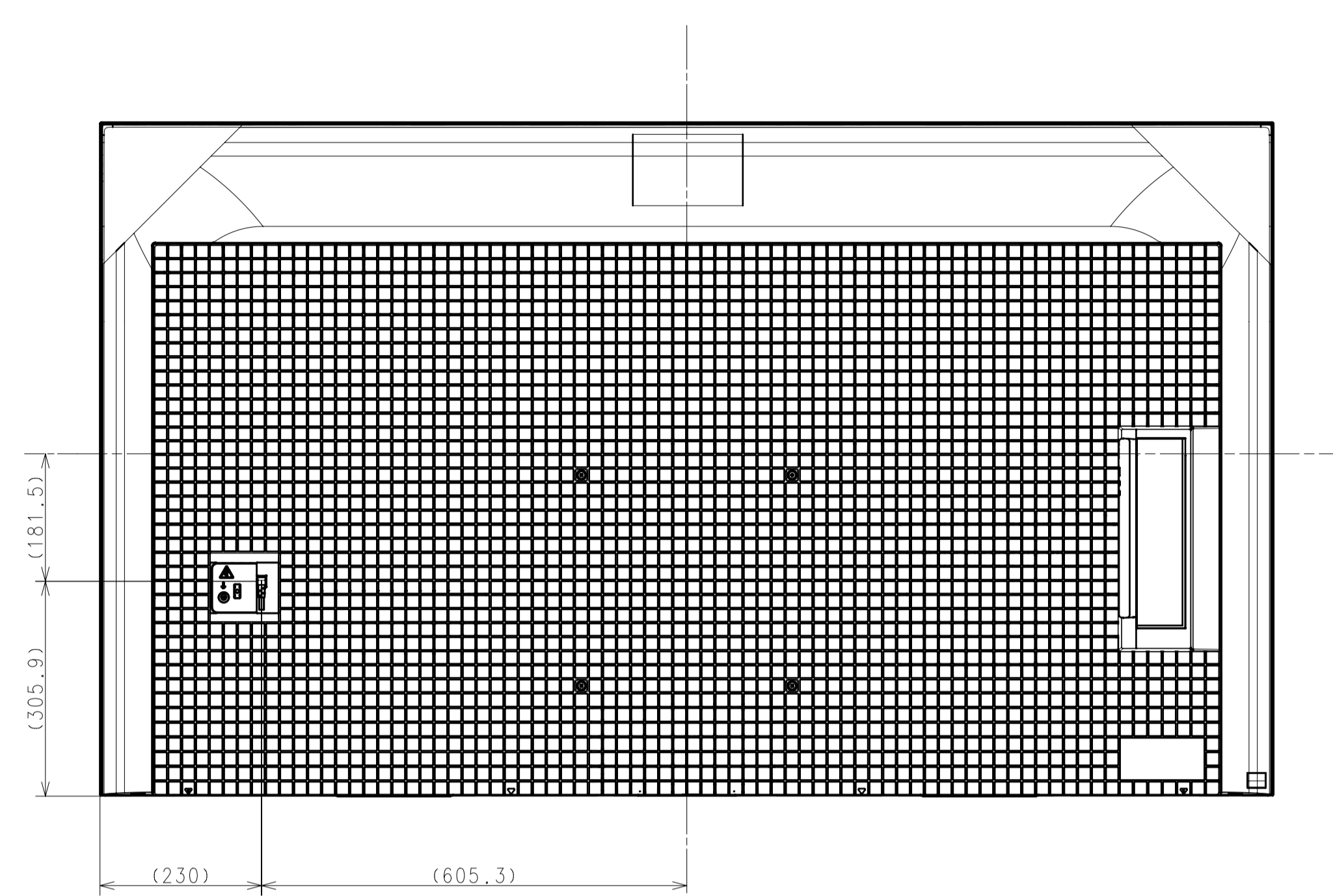
FOR GENERAL AREA, CHINA

DESCRIPTION 1	LEGAL OWNER	SCALE
75 (X85L) EXTERIOR VIEW	Sony Corporation	1:7
DESCRIPTION 2	PART NO.	SHEET/PAGES
75 (X85L) EXTERIOR VIEW		3/ 6

WITHOUT STAND



FOR EUROPE



FOR JAPAN

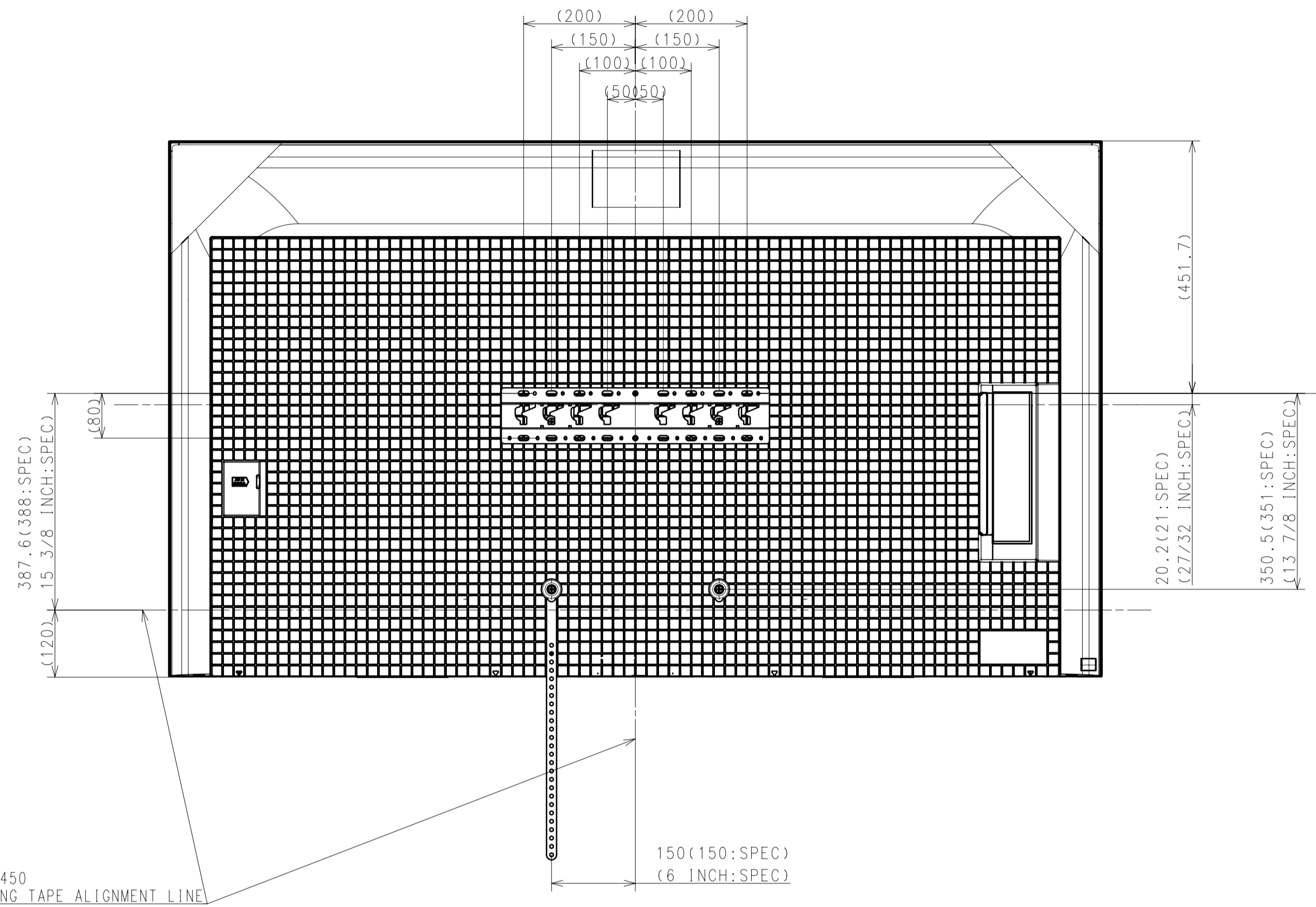
SONY STANDARD
DRAWING

DESCRIPTION	LEGAL OWNER	SCALE
75 (X85L) EXTERIOR VIEW	Sony Corporation	1:7
DESCRIPTION	PART NO.	SHEET/PAGES
75 (X85L) EXTERIOR VIEW		4 / 6

SU-WL450

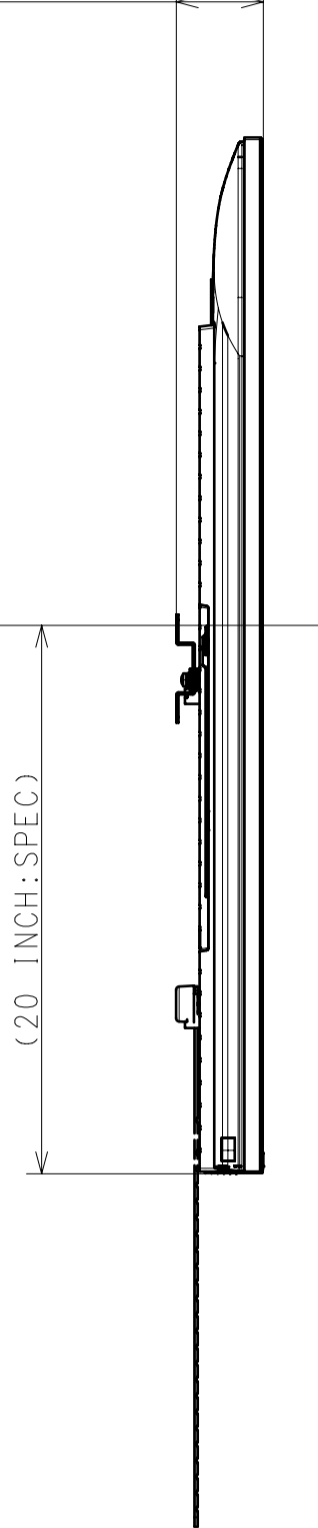
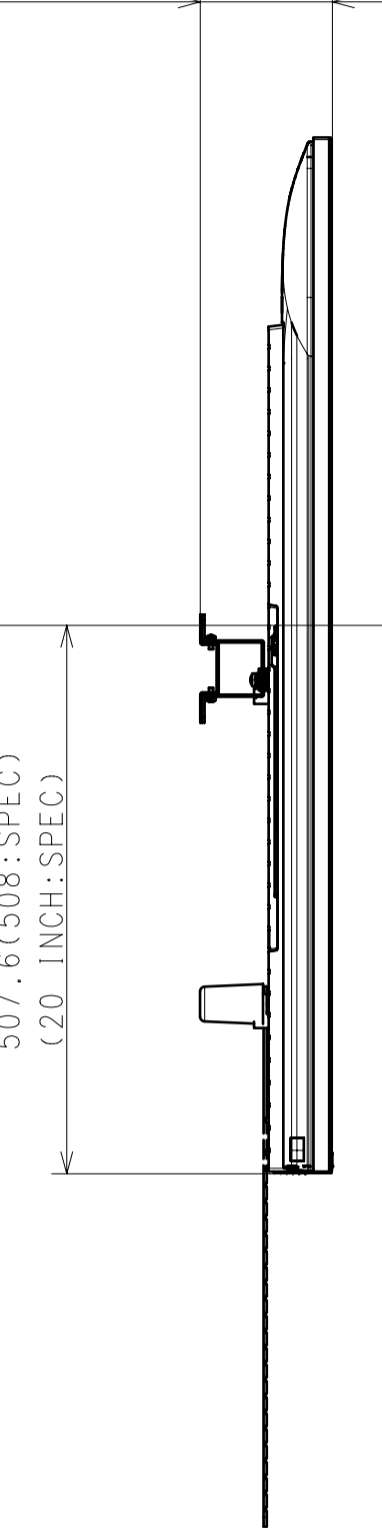
STANDARD

SLIM



122.4 (123:SPEC)
(4 7/8 INCH:SPEC)

80.6 (81:SPEC)
(3 1/4 INCH:SPEC)

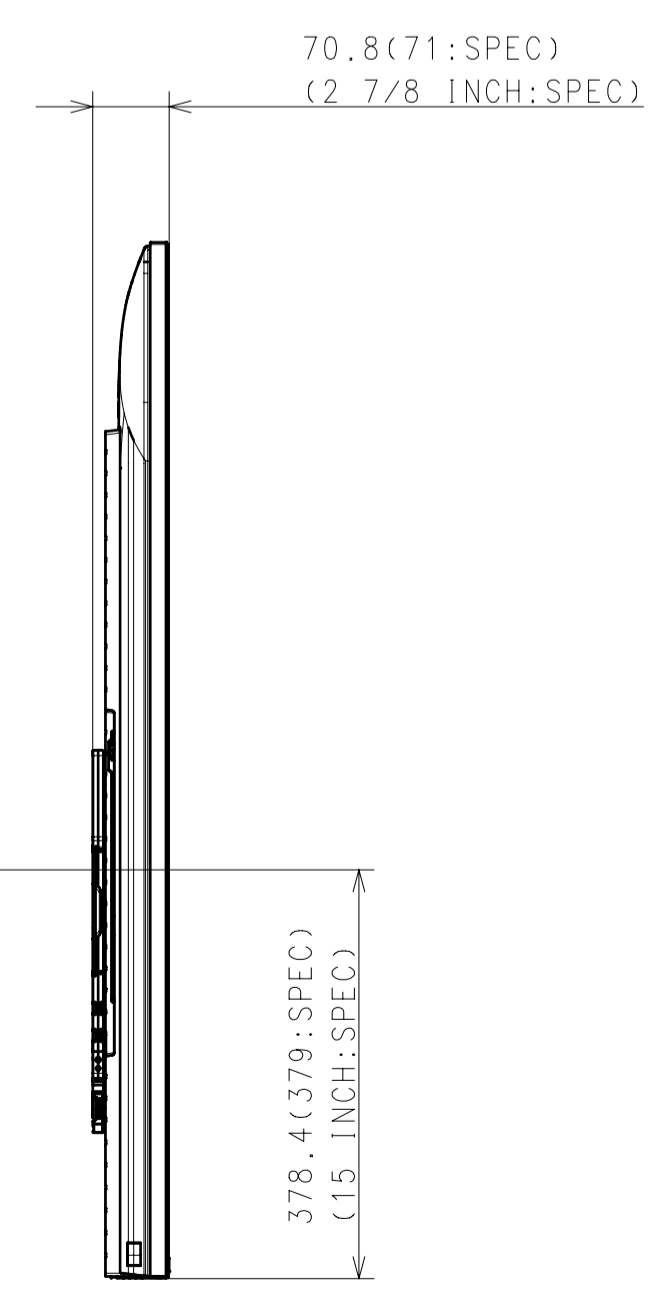
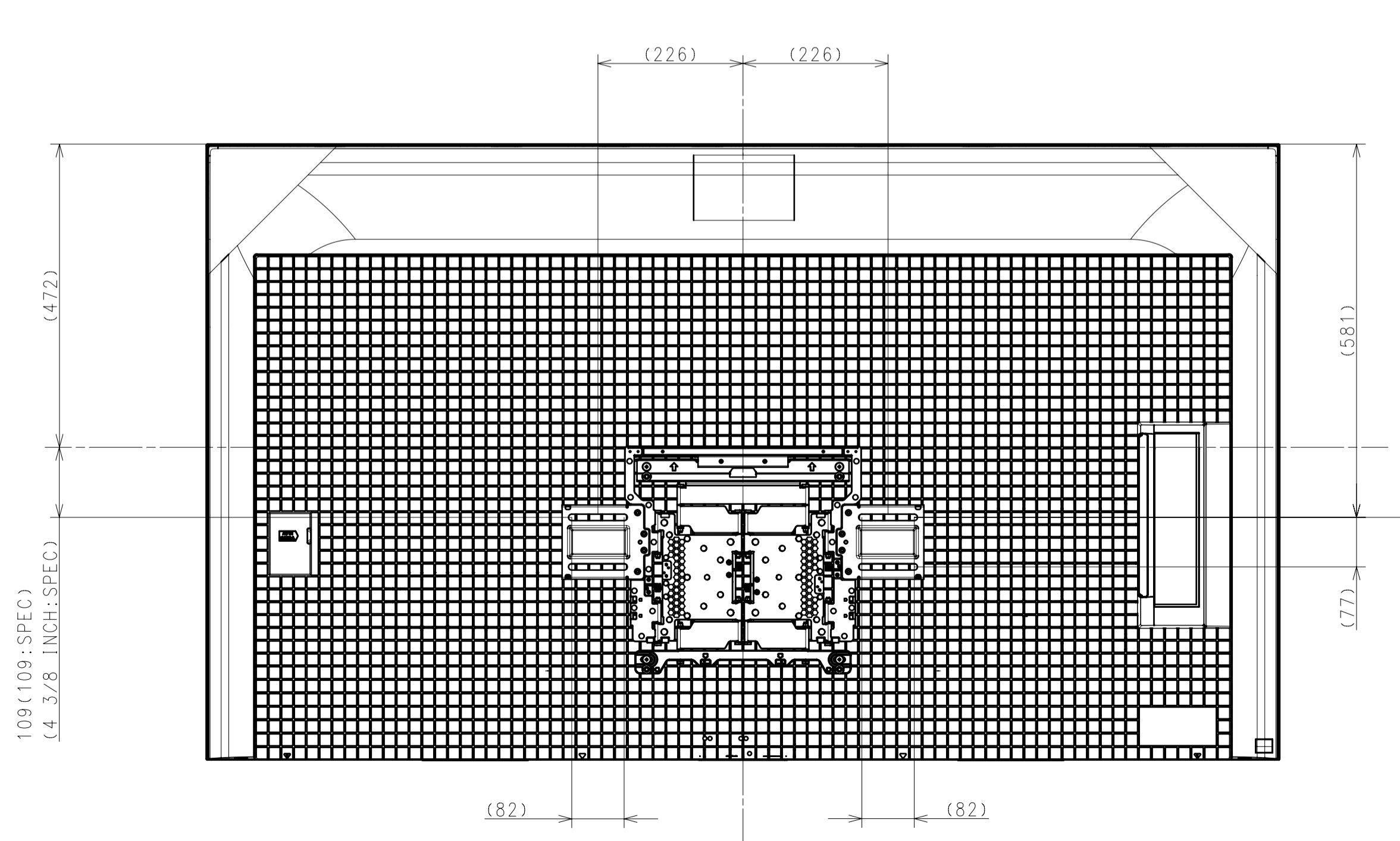
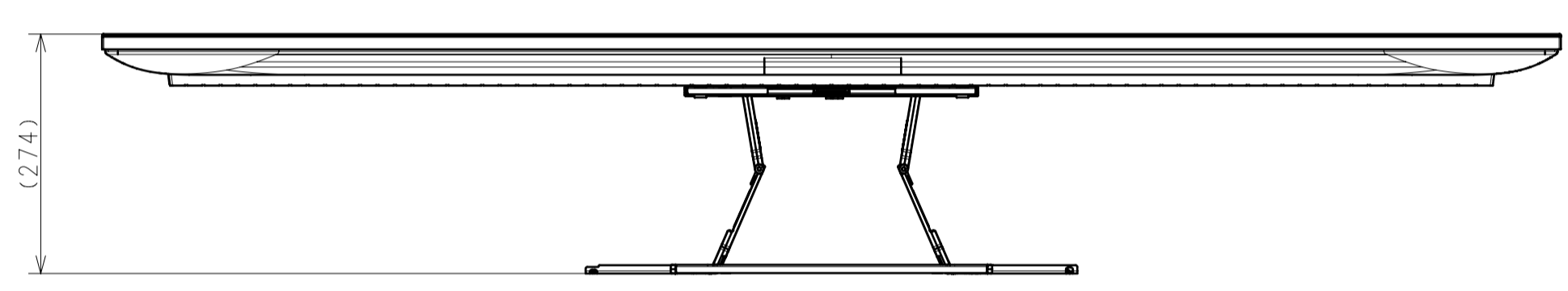
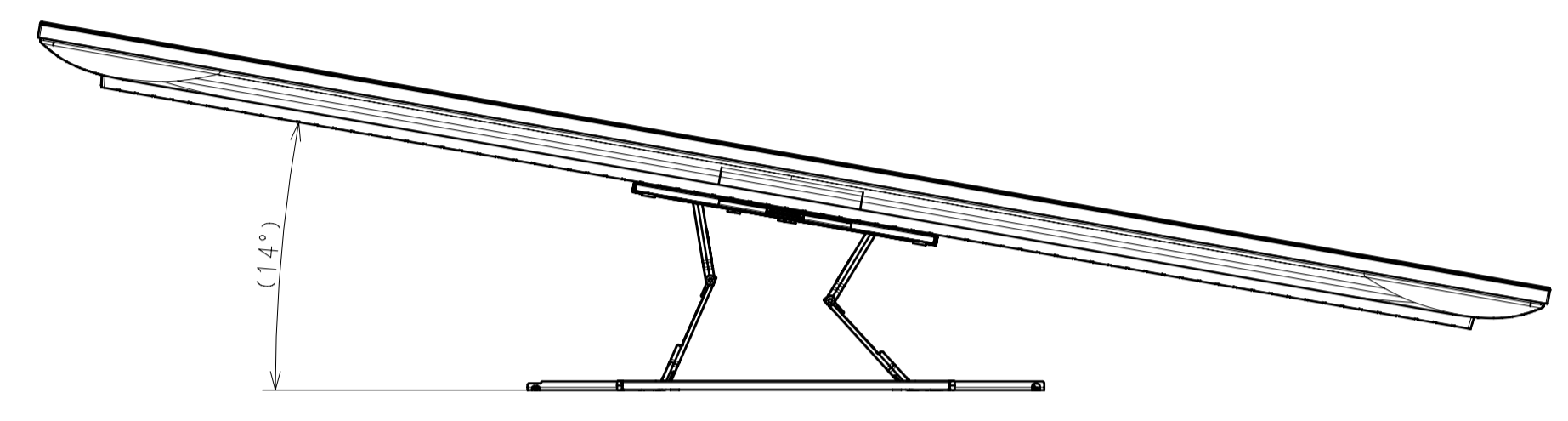
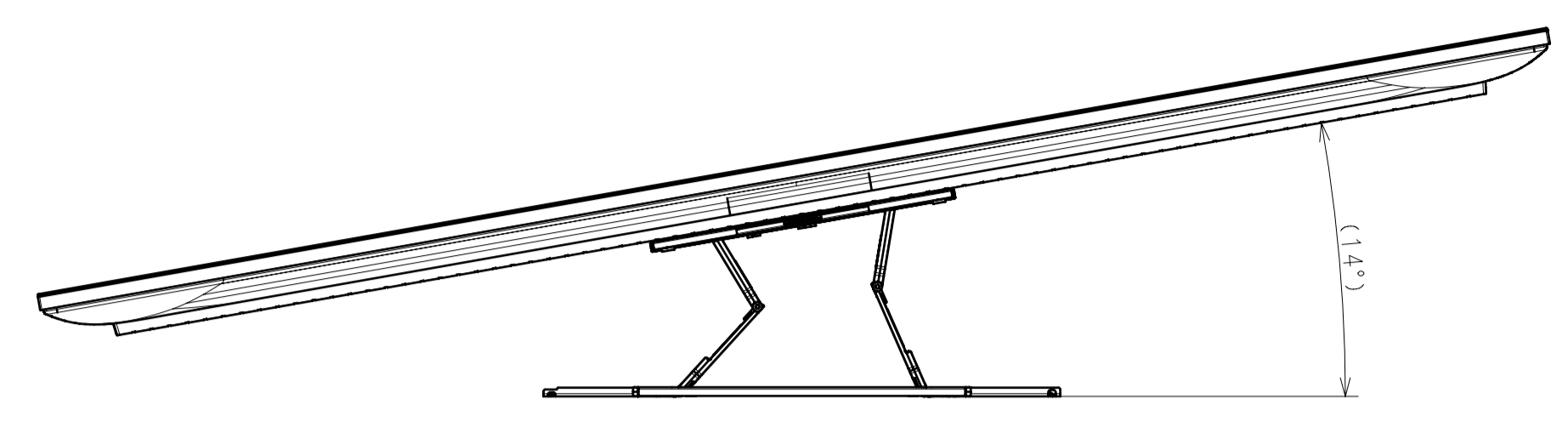


SU-WL450
MASKING TAPE ALIGNMENT LINE

SONY STANDARD
DRAWING

DESCRIPTION	LEGAL OWNER	SCALE
75 (X85L) EXTERIOR VIEW	Sony Corporation	1:7
DESCRIPTION	PART NO.	SHEET/PAGES
75 (X85L) EXTERIOR VIEW		5/6

SU-WL850



DRAWING

SONY STANDARD

DESCRIPTION 1	LEGAL OWNER	SCALE
75 (X85L) EXTERIOR VIEW	Sony Corporation	1:7
DESCRIPTION 2	PART NO.	SHEET/PAGES
75 (X85L) EXTERIOR VIEW		6 / 6