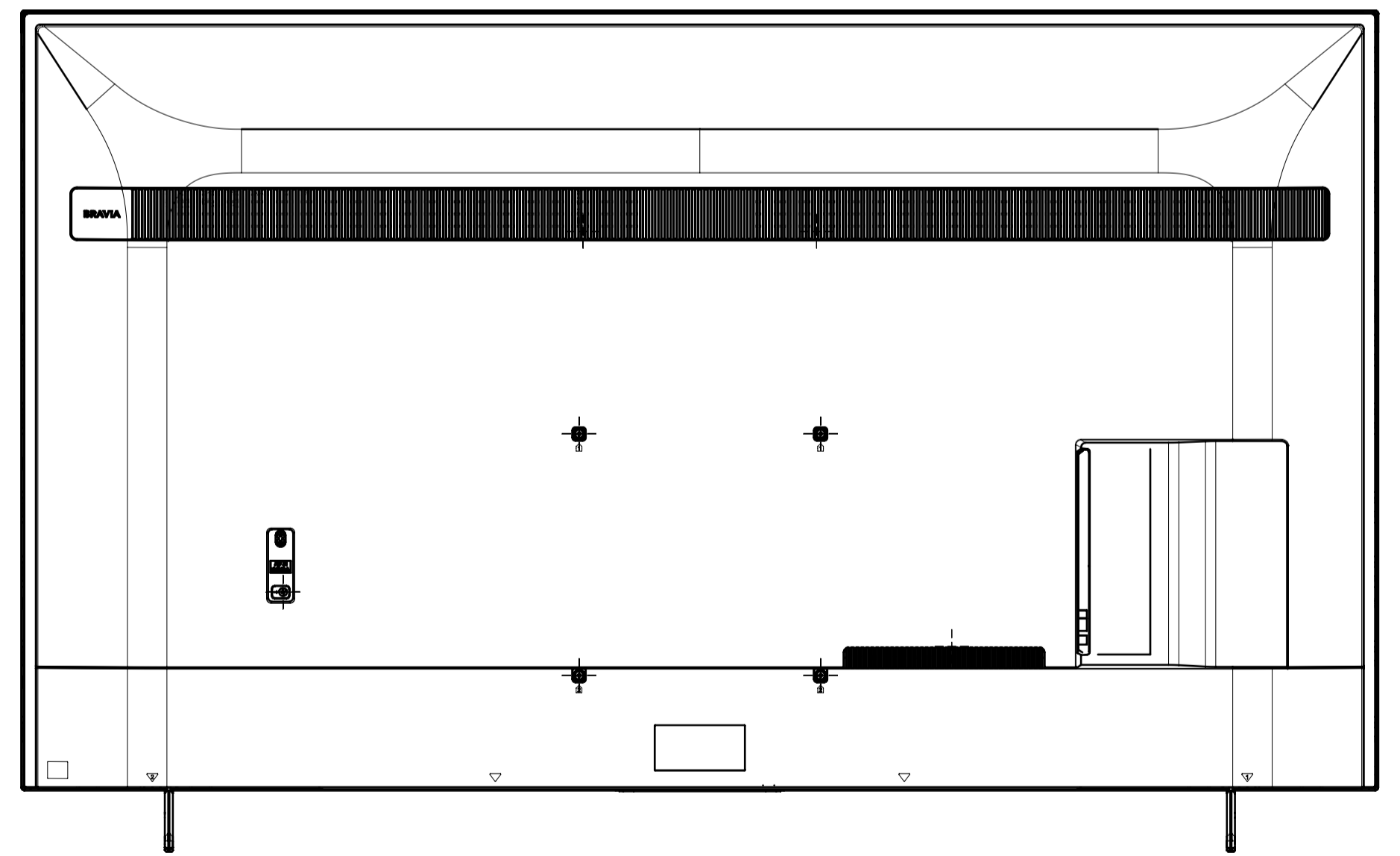
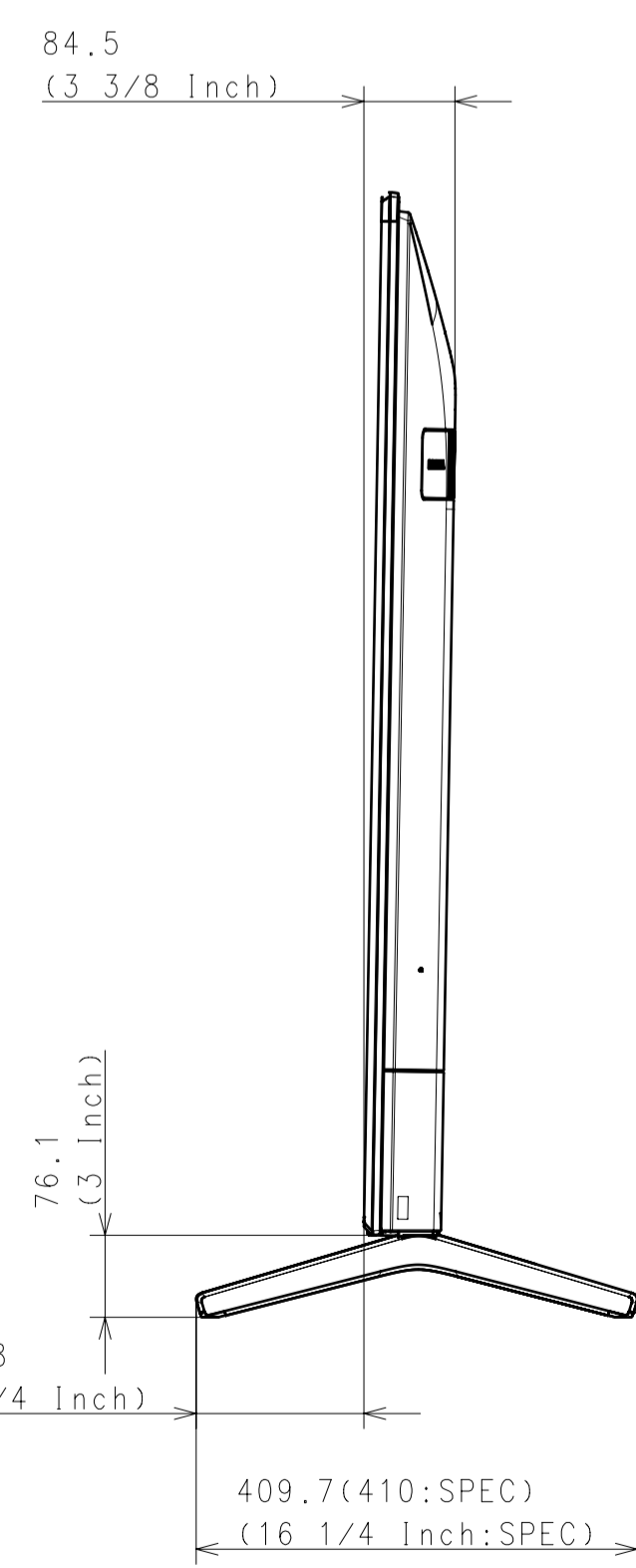
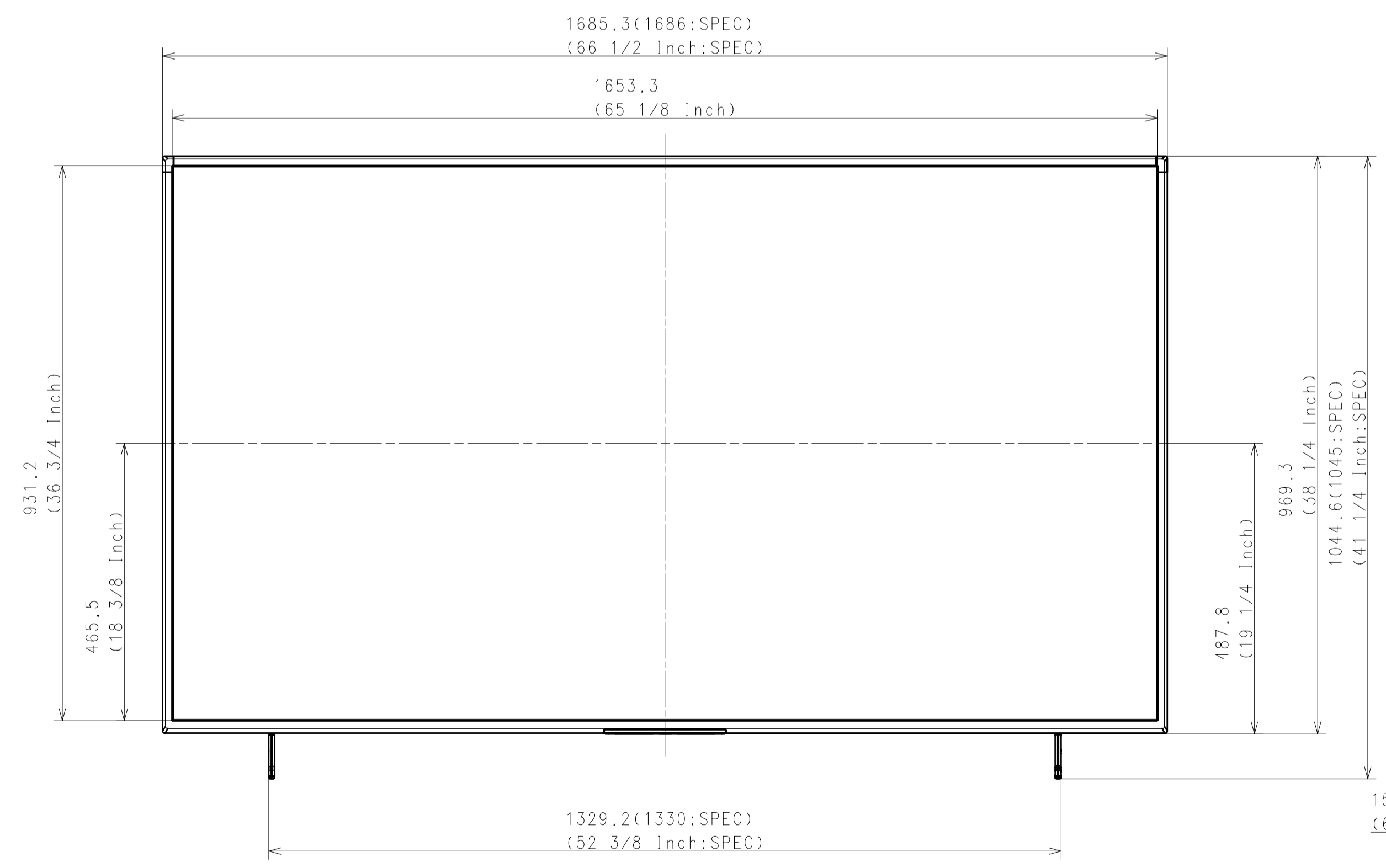
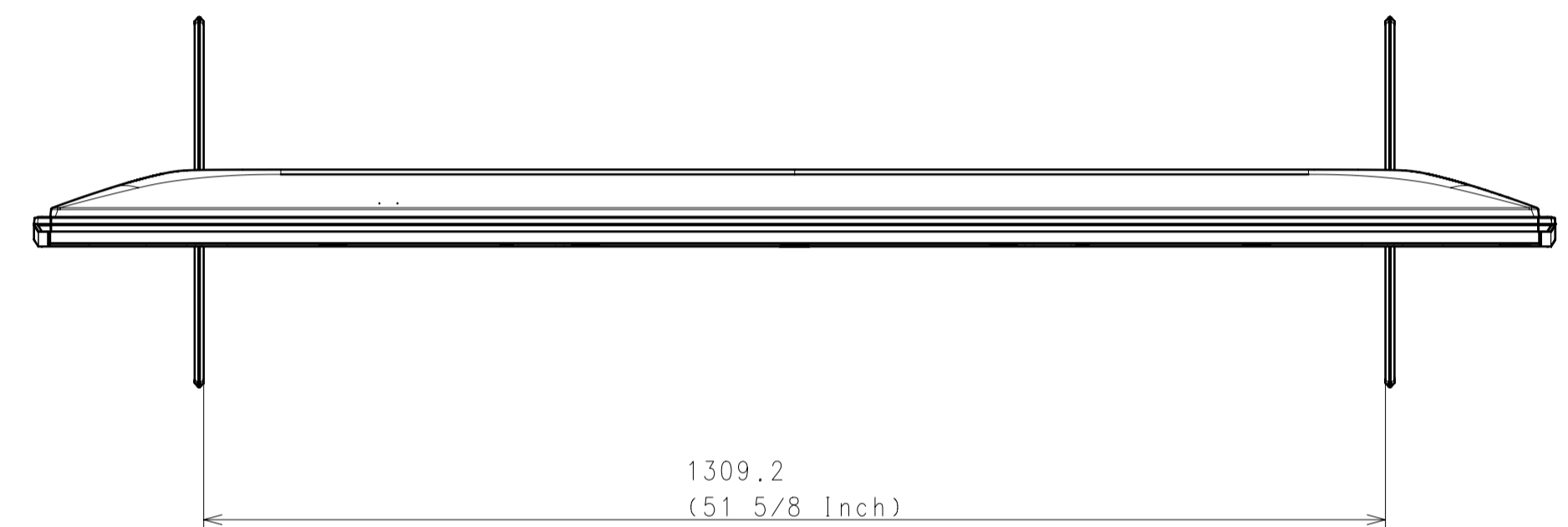


Area	JAPAN	NORTH AMERICA	EUROPE	GENERAL AREA	CHINA	
Model Name	FW-75BZ30L	FW-75BZ30L	FW-75BZ30L	FW-75BZ30L	FW-75BZ30L	
SV No.	SV-41552	SV-41402	SV-41483	SV-41484	SV-41510	
DIMENSION	TV only (W x H x D)	168.6 x 96.9 x 7.2 cm	1686 x 969 x 72 mm / 66 1/2 x 38 1/4 x 2 7/8 inch	Approx. 168.6 x 96.9 x 7.2 cm	Approx. 1686 x 969 x 72 mm	Approx. 1686 x 969 x 72 mm
	TV only with camera (W x H x D)	-	-	-	-	-
	TV with Stand (Standard position) (W x H x D)	168.6 x 104.5 x 41.0 cm	1686 x 1045 x 410 mm / 66 1/2 x 41 1/4 x 16 1/4 inch	Approx. 168.6 x 104.5 x 41.0 cm	Approx. 1686 x 1045 x 410 mm	Approx. 1686 x 1045 x 410 mm
	TV with Stand (Narrow position) (W x H x D)	-	-	-	-	-
	TV with Stand (Soundbar position) (W x H x D)	-	-	-	-	-
	TV with Stand (Front position style) (W x H x D)	-	-	-	-	-
	TV with Stand (Back position style) (W x H x D)	-	-	-	-	-
	TV with Floor Stand (W x H x D)	-	-	-	-	-
	Stand Width (Standard position)	133.0 cm	1330 mm / 52 3/8 inch	Approx. 133.0 cm	Approx. 1330 mm	Approx. 1330 mm
	Stand Width (Narrow position)	-	-	-	-	-
Floor Stand Width	Stand Width (Soundbar position)	-	-	-	-	-
	Stand Width (Front position style)	-	-	-	-	-
	Stand Width (Back position style)	-	-	-	-	-
	Floor Stand Width	-	-	-	-	-
	VESA Hole Pitch	30.0 x 30.0 cm	300 x 300 mm / 11 7/8 x 11 7/8 inch	30.0 x 30.0 cm	300 x 300 mm	300 x 300 mm
Weight	TV Only	31.7 kg	31.7 kg / 69.9 lb	Approx. 31.7 kg	Approx. 31.7 kg	Approx. 31.7 kg
	TV with Stand (Standard position)	32.9 kg	32.9 kg / 72.5 lb	Approx. 32.9 kg	Approx. 32.9 kg	Approx. 32.9 kg
Remarks	TV with Stand (Narrow position)	-	-	-	-	-
	TV with Stand (Soundbar position)	-	-	-	-	-
	TV with Stand (Front/Back position style)	-	-	-	-	-
	TV with Floor Stand	-	-	-	-	-
Floor Stand weight (Supply)	-	-	-	-	-	
W-M't Br. Weight (Supply)	-	-	-	-	-	
Remarks		Optional stand	Optional stand			

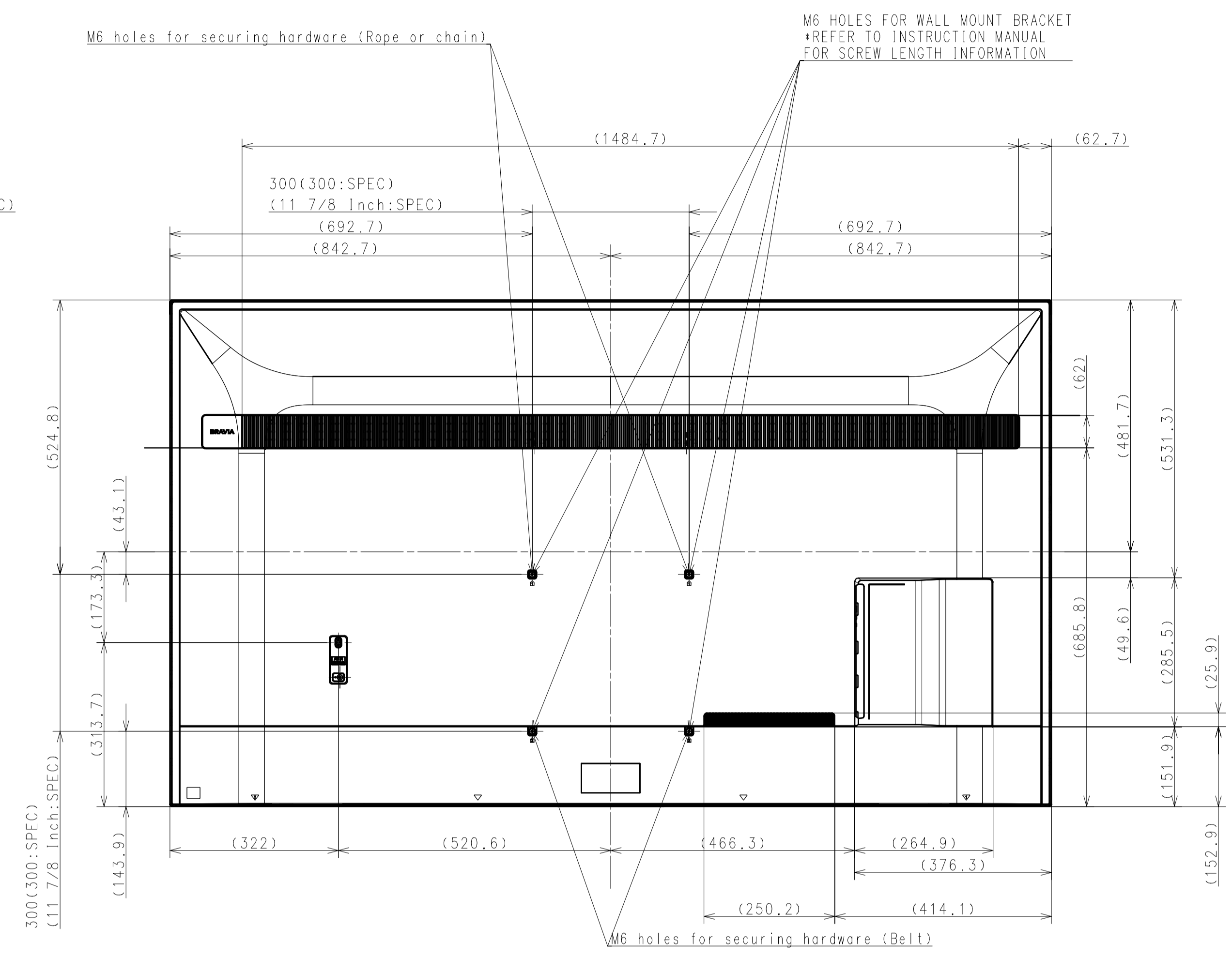
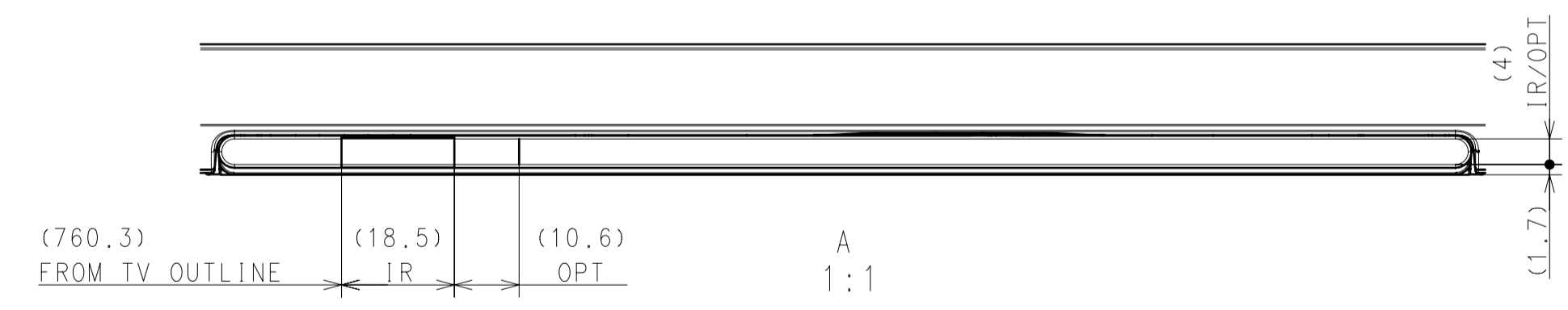
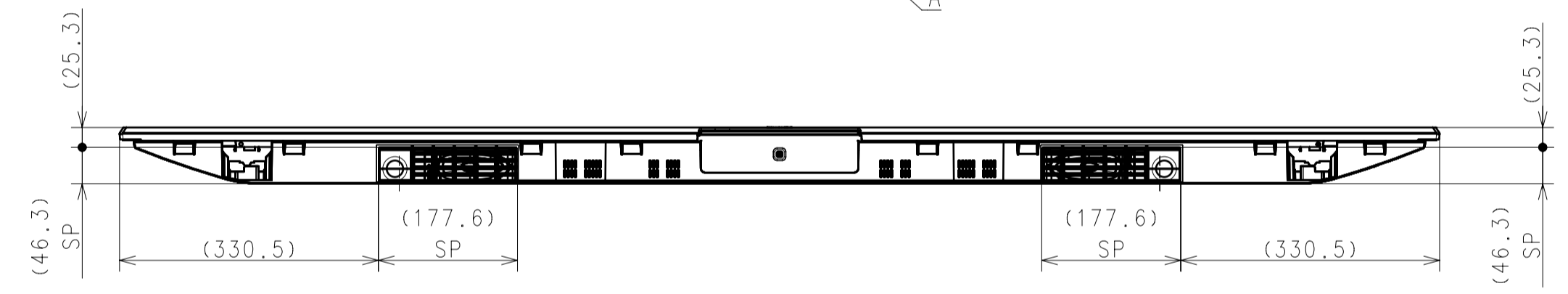
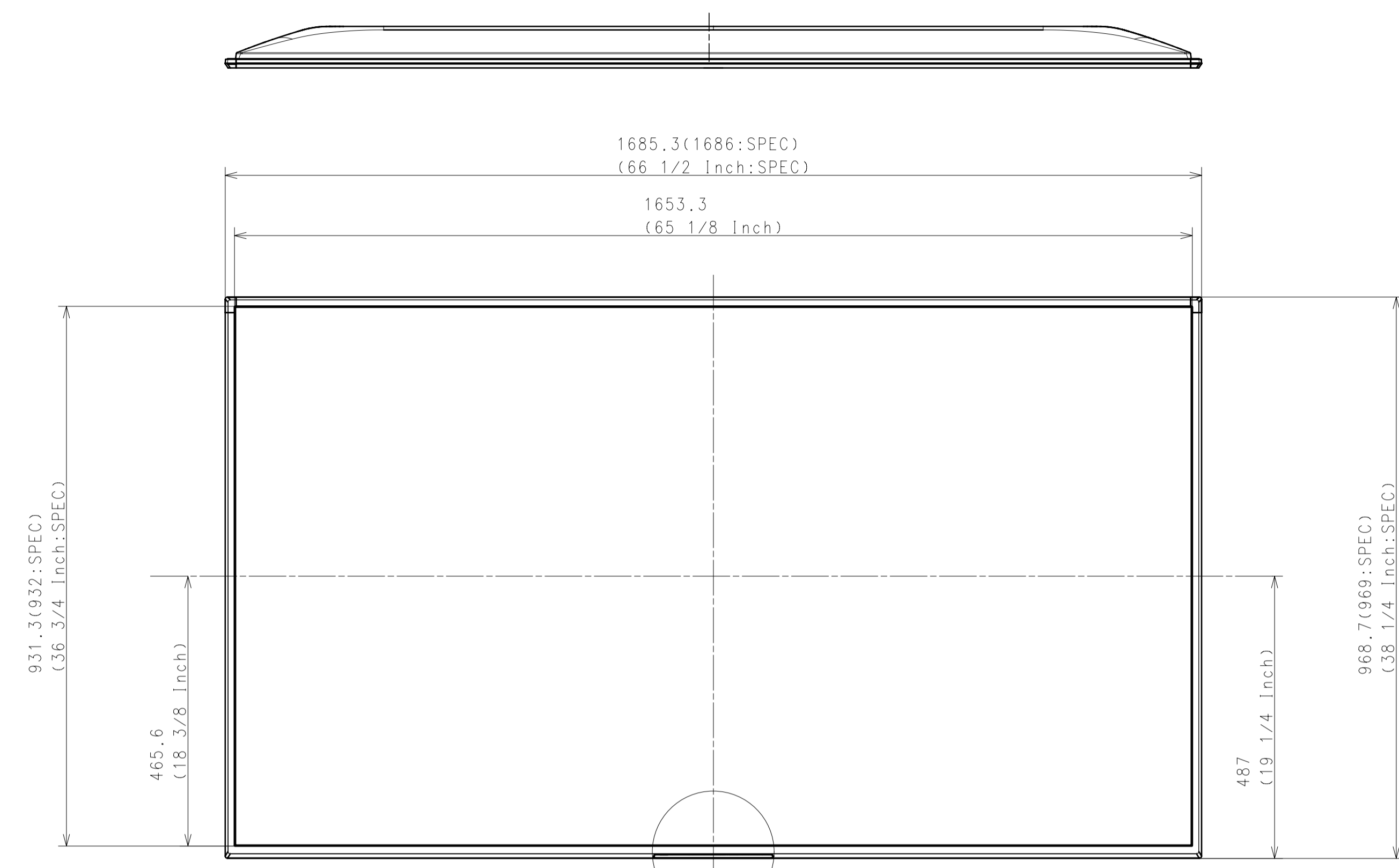
WITH STAND



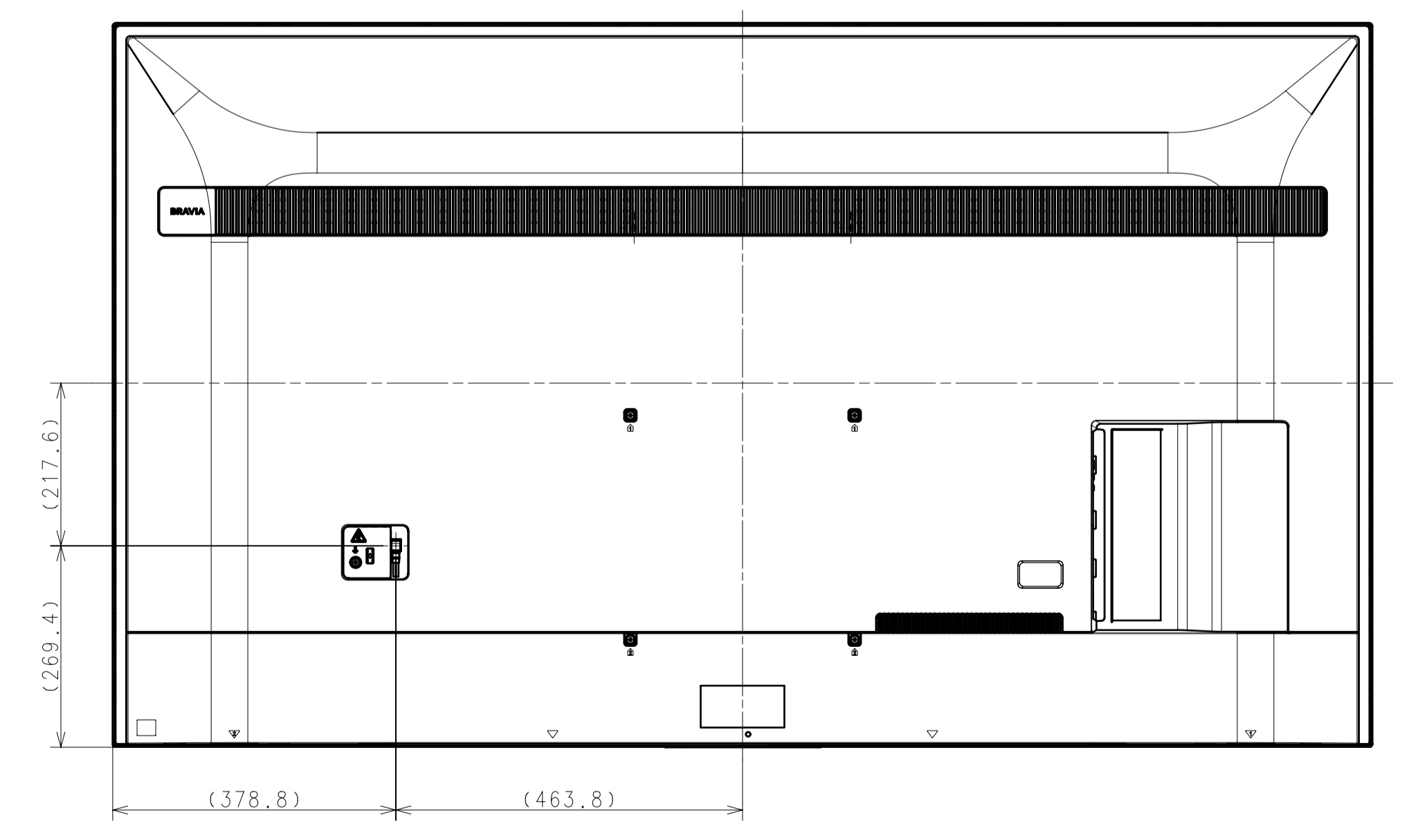
Purchase recycled resins and wire rods only from the business partners that Sony approves as Green Partners.
再生樹脂・銅線はグリーンパートナー認定者からの調達を要します。

<table border="1"> <tr><td>△x</td><td></td><td></td><td></td><td></td><td></td></tr> <tr><td>△y</td><td></td><td></td><td></td><td></td><td></td></tr> <tr><td>△z</td><td></td><td></td><td></td><td></td><td></td></tr> </table>	△x						△y						△z						<table border="1"> <tr><td>DATE OF ISSUE</td><td>2023.01.11</td></tr> <tr><td>DOCUMENT TYPE</td><td>ASSEMBLY DRAWING</td></tr> <tr><td>TOLERANCING</td><td>(JIS & ISO/IEC 10303)</td></tr> </table>	DATE OF ISSUE	2023.01.11	DOCUMENT TYPE	ASSEMBLY DRAWING	TOLERANCING	(JIS & ISO/IEC 10303)
△x																									
△y																									
△z																									
DATE OF ISSUE	2023.01.11																								
DOCUMENT TYPE	ASSEMBLY DRAWING																								
TOLERANCING	(JIS & ISO/IEC 10303)																								
<table border="1"> <tr><td>HISTORY & COUNT</td><td>SUFFIX</td><td>RELEASE NO.</td><td>REVISION</td><td>SIGN.</td></tr> <tr><td></td><td></td><td>DATE</td><td></td><td></td></tr> </table>	HISTORY & COUNT	SUFFIX	RELEASE NO.	REVISION	SIGN.			DATE			<table border="1"> <tr><td>MATERIAL COLOR</td><td>FINISH COLOR</td></tr> </table>	MATERIAL COLOR	FINISH COLOR												
HISTORY & COUNT	SUFFIX	RELEASE NO.	REVISION	SIGN.																					
		DATE																							
MATERIAL COLOR	FINISH COLOR																								
RESPONSIBLE DEPARTMENT: Sony Corporation		ORIGINAL MODEL: 75(BZ30L) EXTERIOR VIEW																							
PLANNED BY:	CHECKED BY:	APPROVED BY:																							
DRAWN BY:	SIZE: A1	UNIT: mm																							
PREL. METHOD:	SCALE: 1:7	TENTATIVE MODEL: 75(BZ30L) EXTERIOR VIEW																							
PART NO.	SUFFIX	REV. NO.																							
SHEET/PAGES: 1/4	SHEET/PAGES: 1/4	SHEET/PAGES: 1/4																							

WITHOUT STAND



For NORTH AMERICA, EUROPE, CHINA, GENERAL AREA



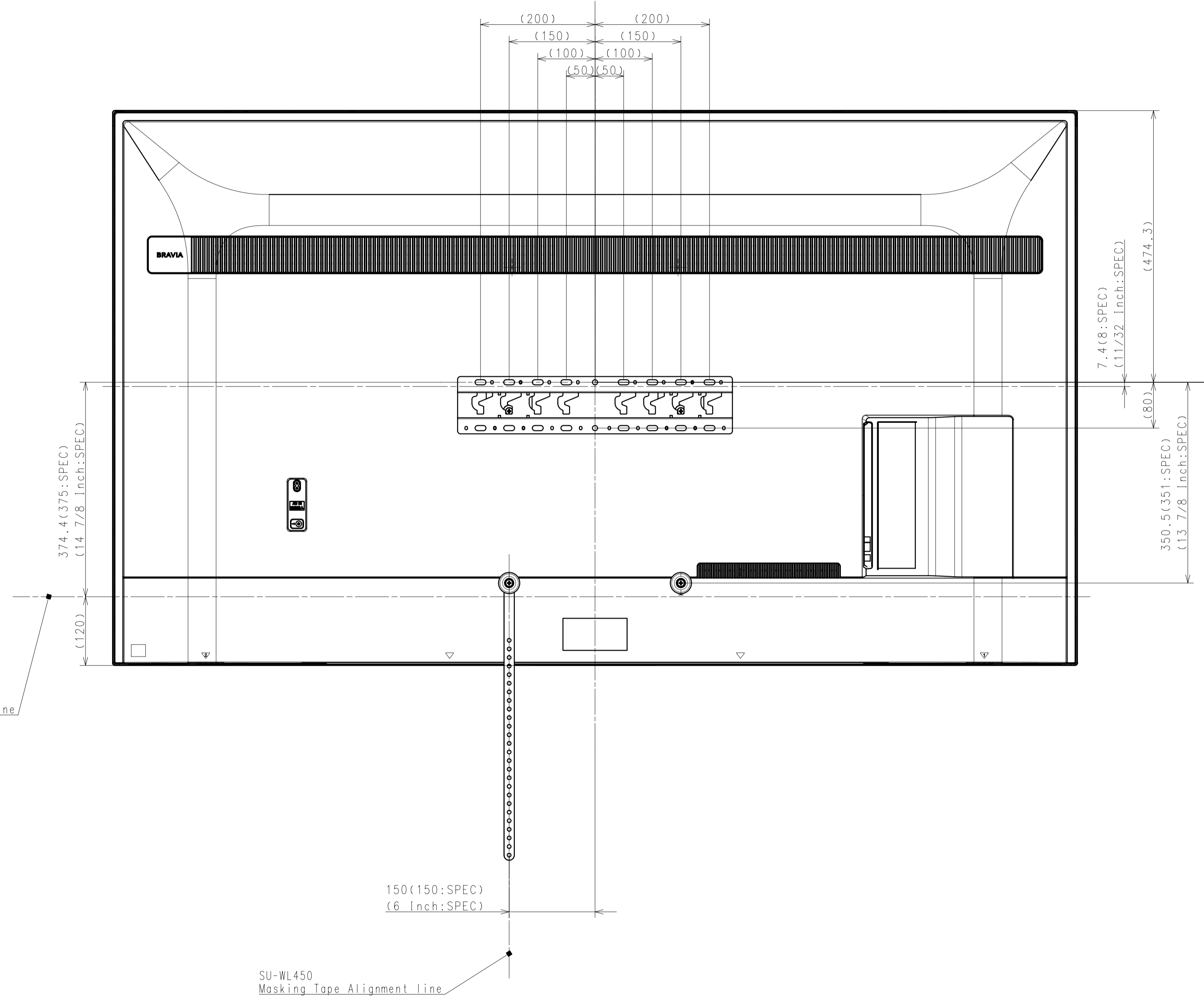
For JAPAN

DESCRIPTION: 75(X80J) EXTERIOR VIEW	SCALE: 1:7
DESCRIPTION: 75(X80J) EXTERIOR VIEW	SCALE: 1:7
TENTATIVE PART NO.	PART NO.
SHEET/PAGES: 2 / 4	

SU-WL450

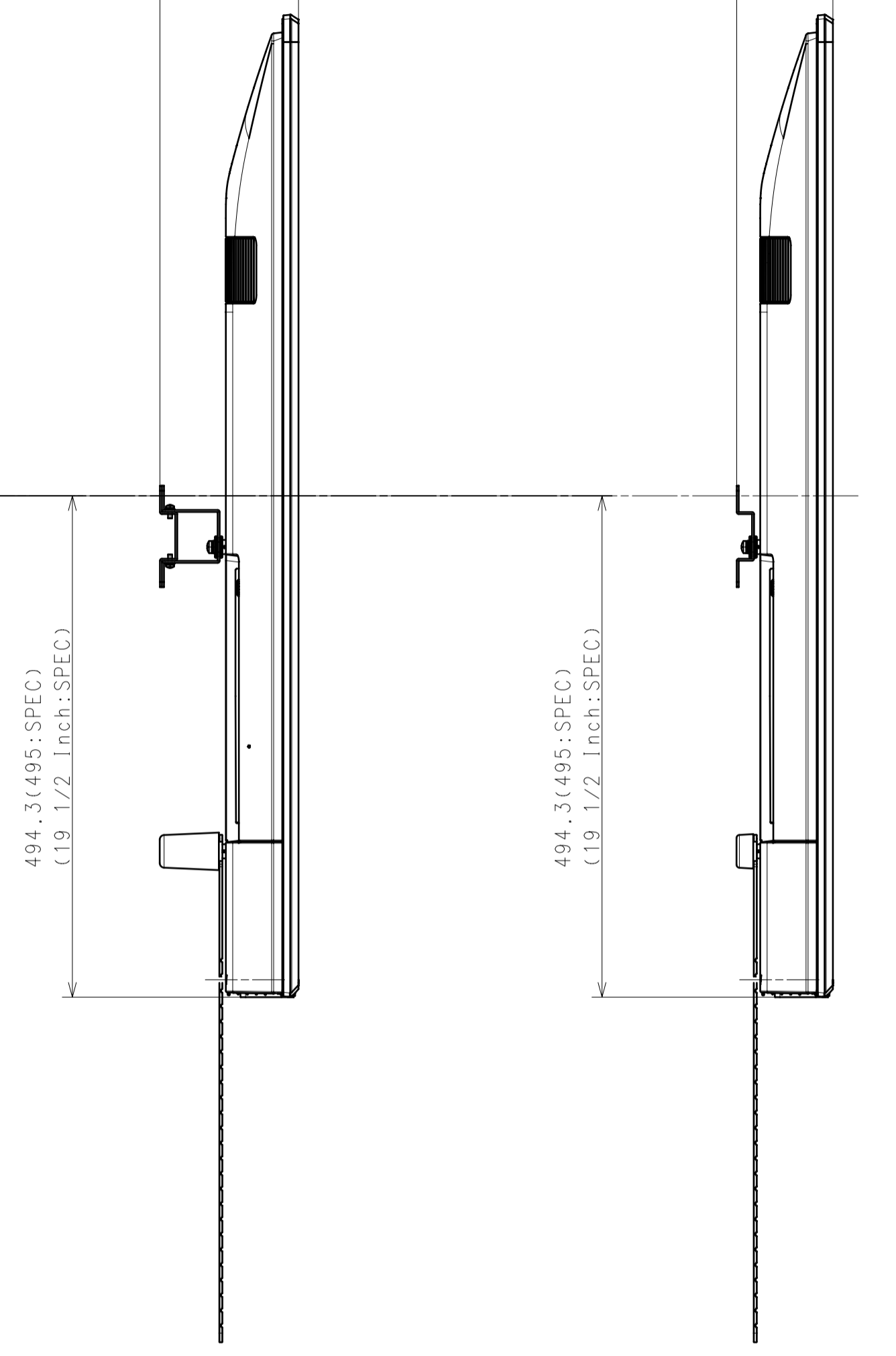
STANDARD

SLIM



136.6 (137:SPEC)
(5 1/2 Inch:SPEC)

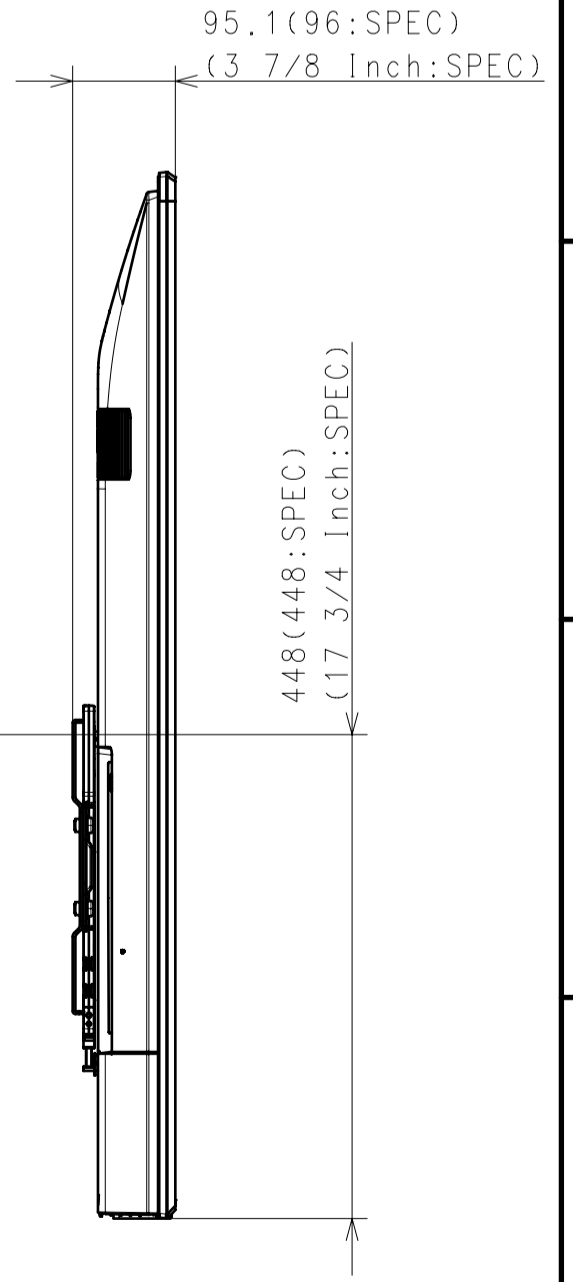
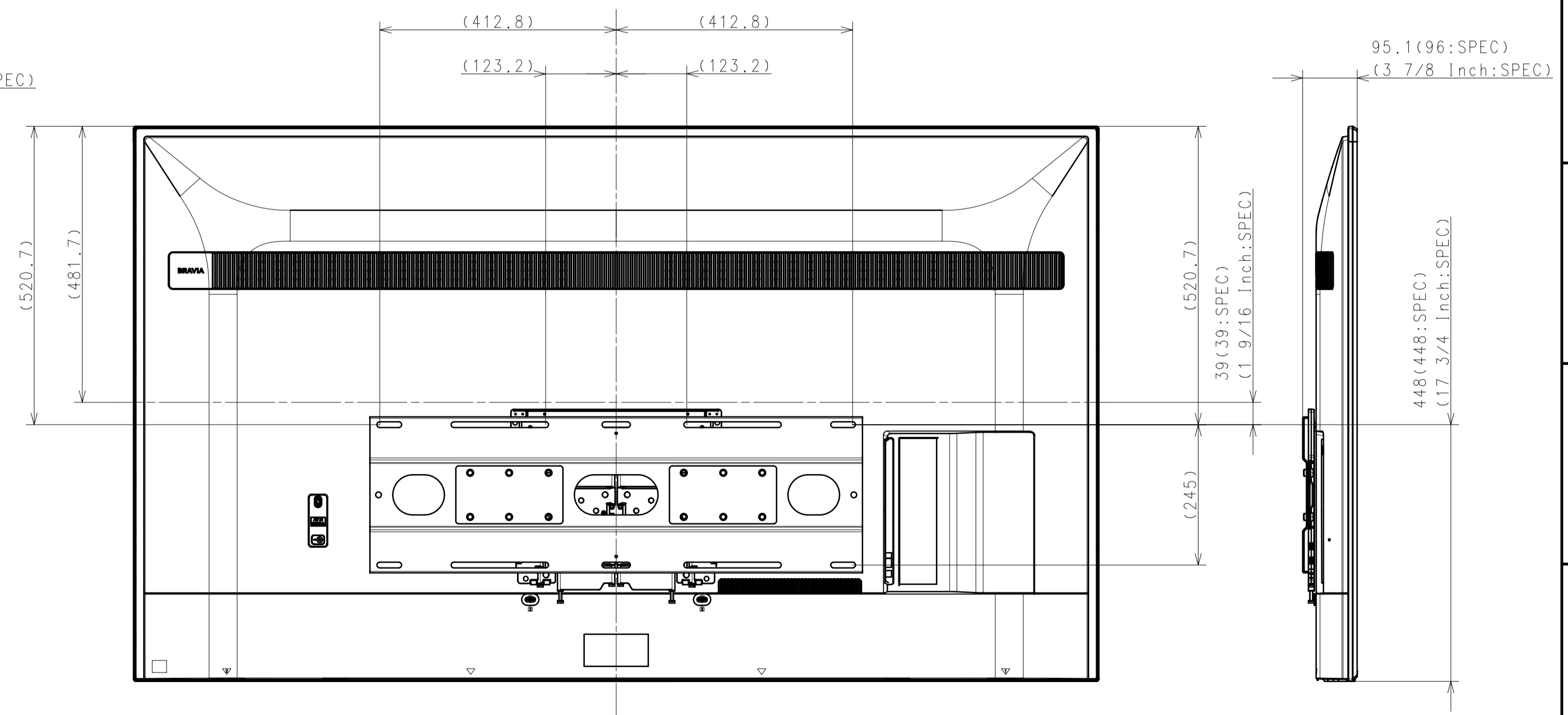
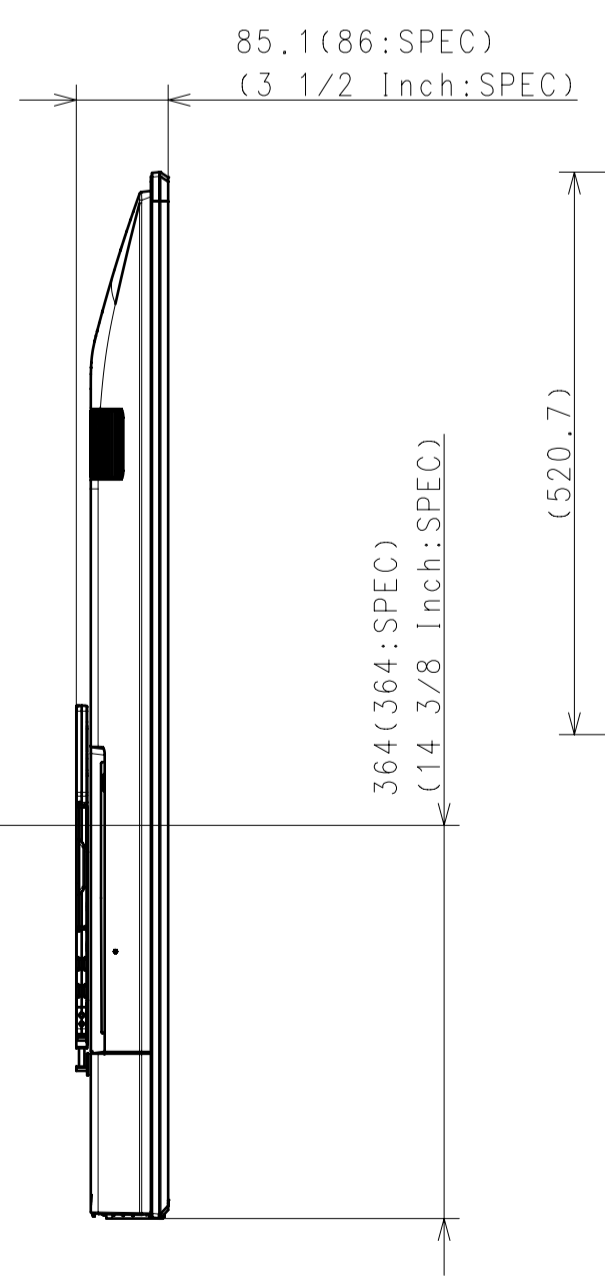
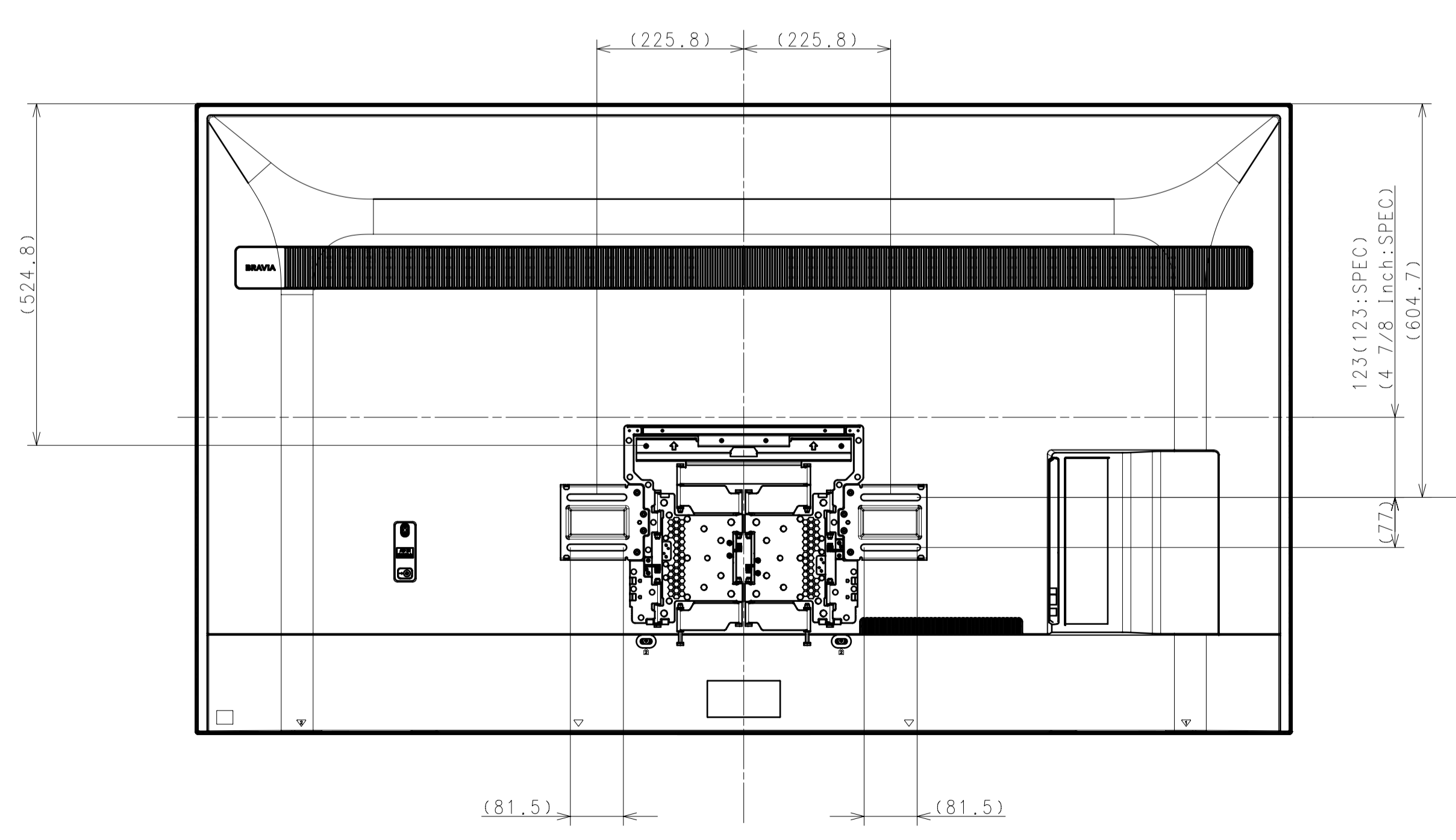
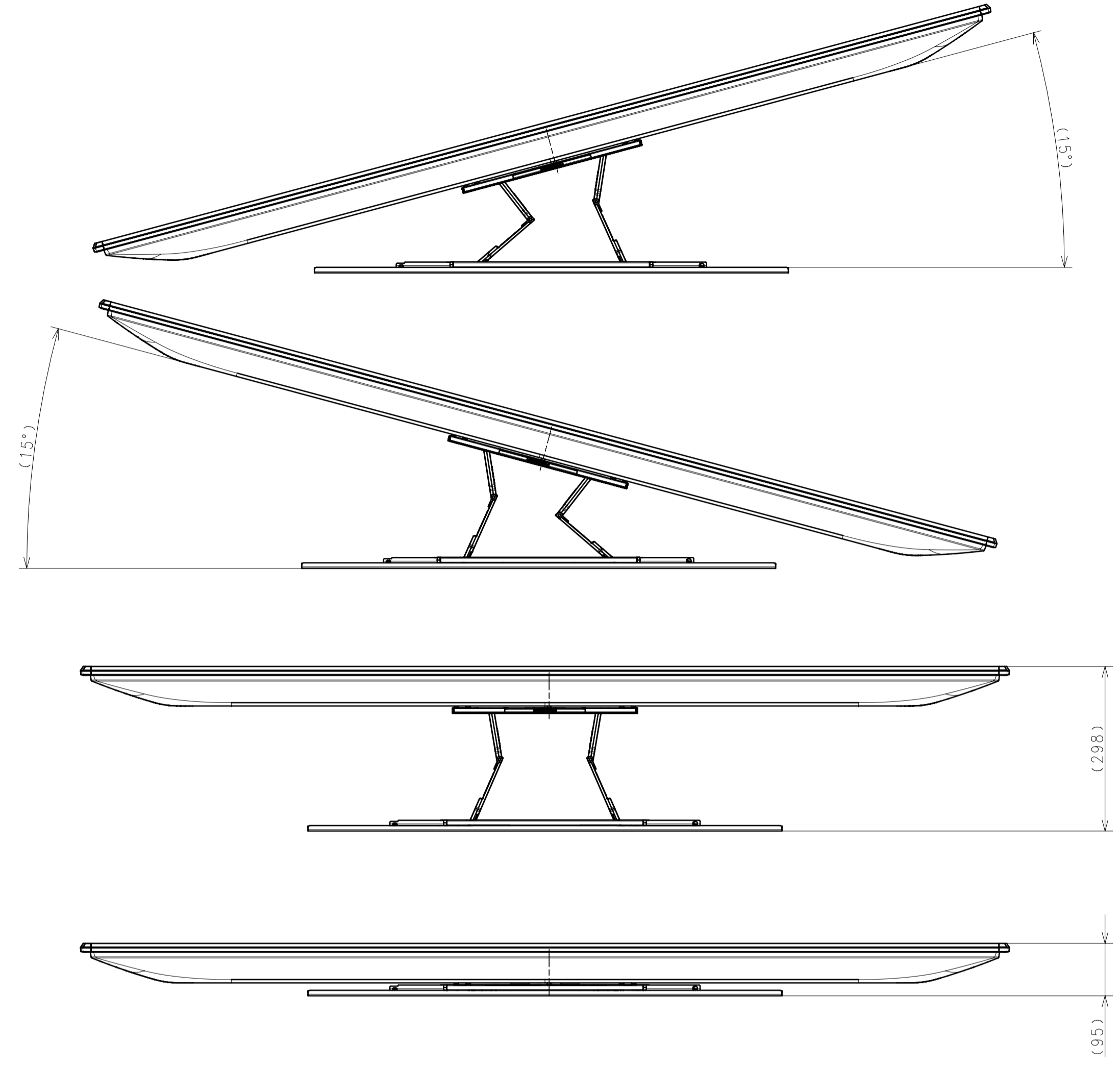
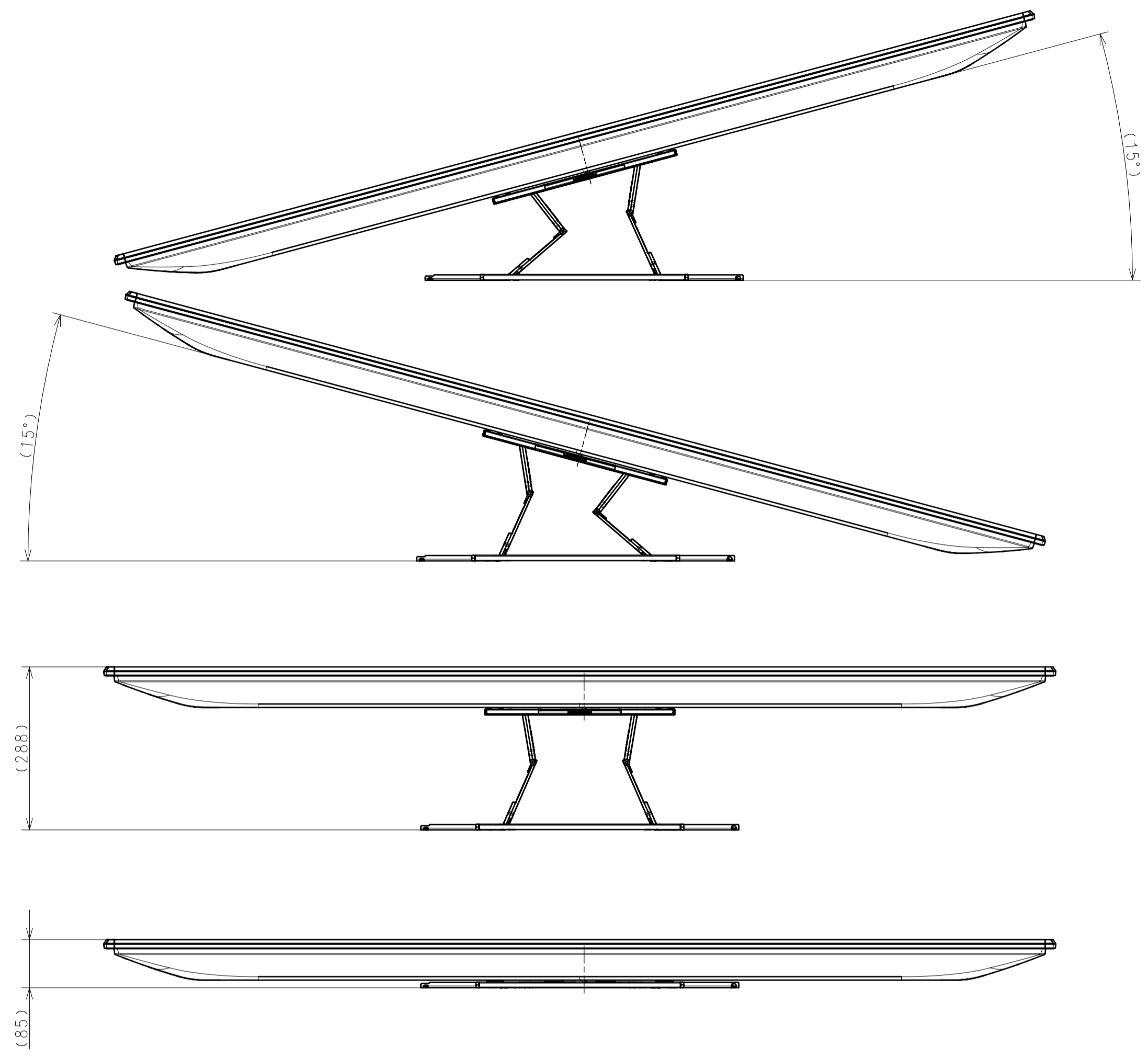
94.8 (95:SPEC)
(3 3/4 Inch:SPEC)



DESCRIPTION 1	LEGAL OWNER	SCALE
75(X80J) EXTERIOR VIEW	Sony Corporation	1:5
DESCRIPTION 2	PART NO.	SHEET/PAGES
75(X80J) EXTERIOR VIEW		3 / 4

SU-WL 850

SU-WL 855 WITH LATERAL SHAFT BRACKET



DESCRIPTION 1	75(X80J) EXTERIOR VIEW	LEGAL OWNER	Sony Corporation	SCALE	1:7
DESCRIPTION 2	75(X80J) EXTERIOR VIEW	PART NO.		SHEET/PAGES	4/4