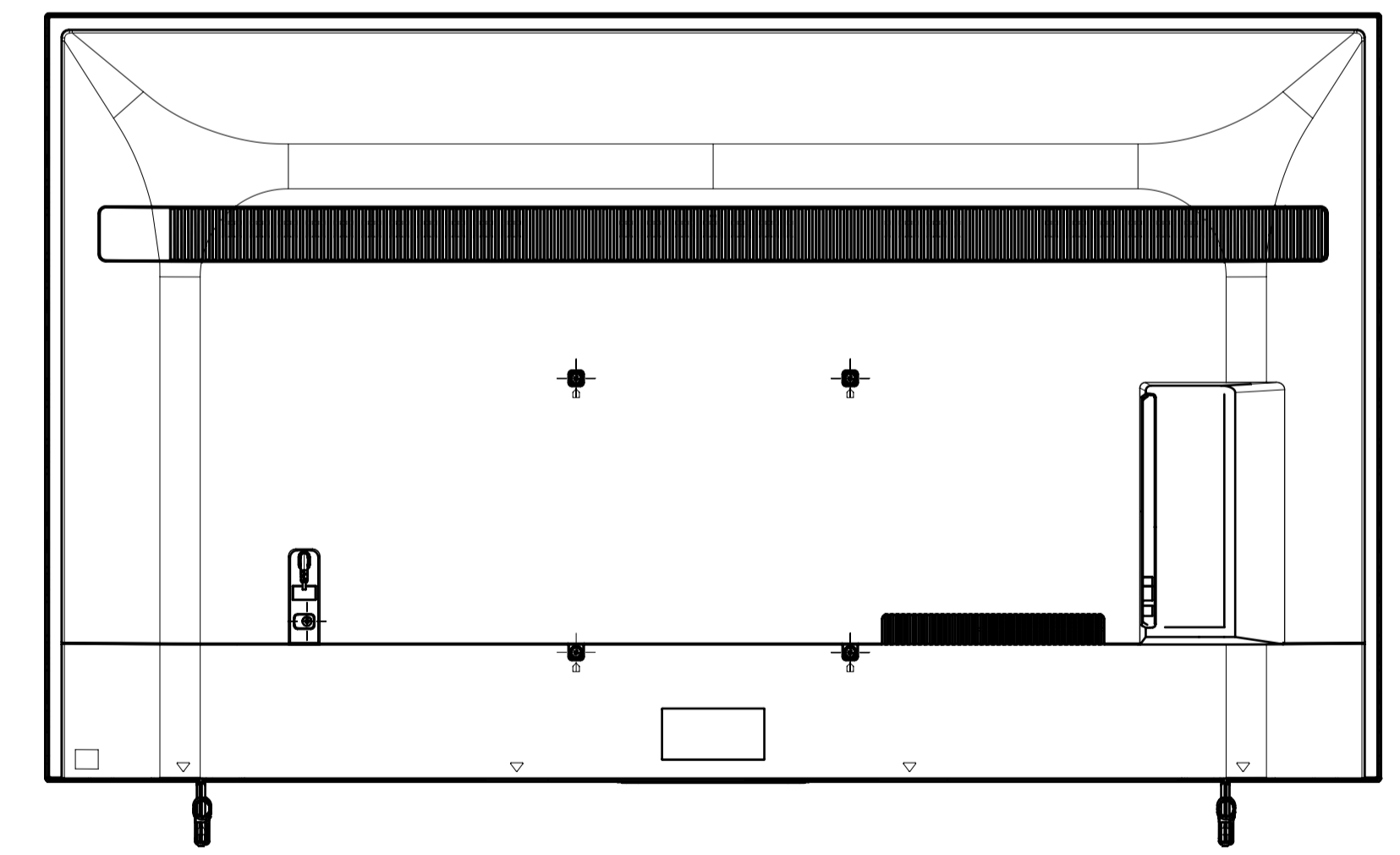
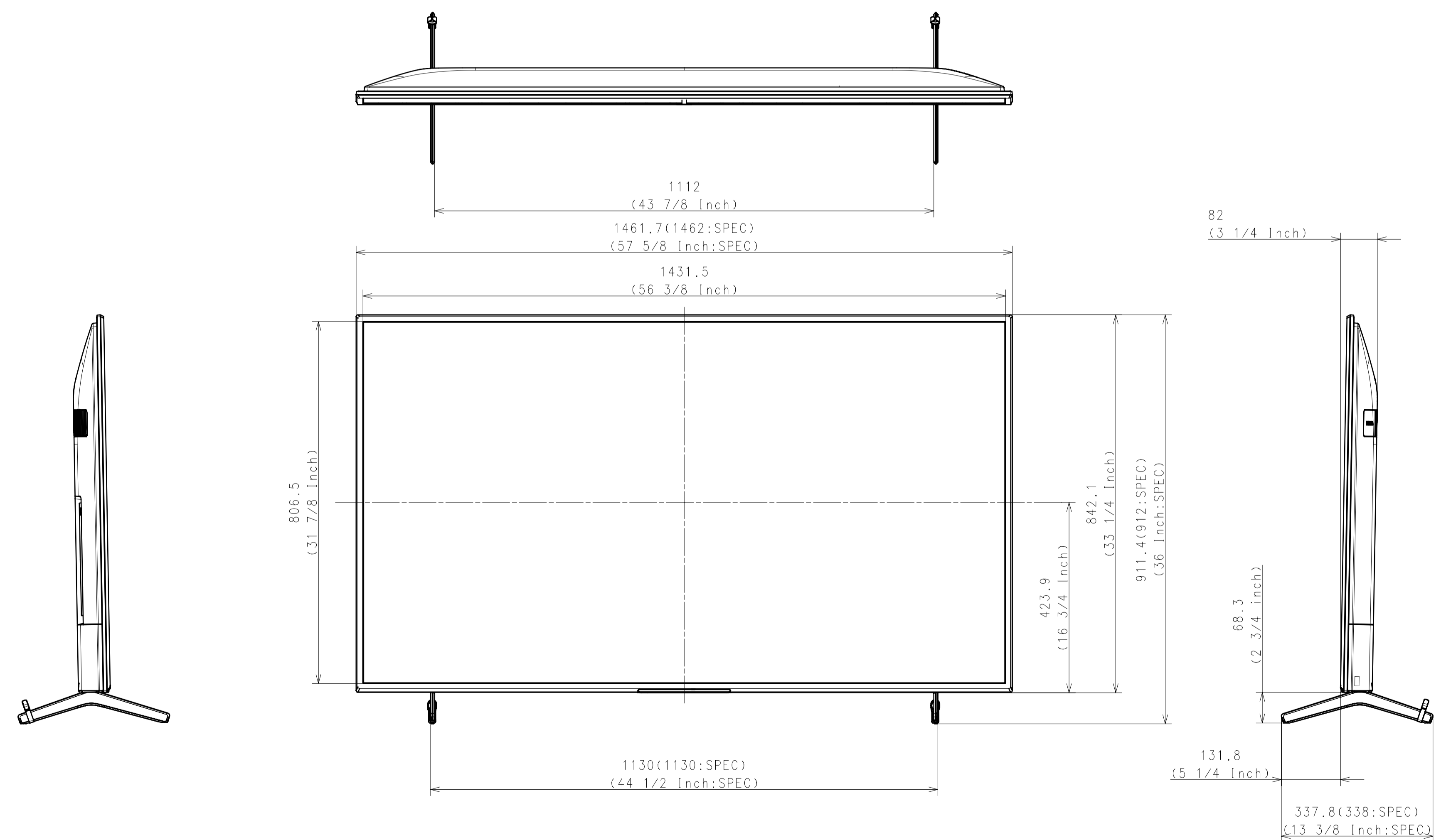


Area	JAPAN	NORTH AMERICA	EUROPE	GENERAL AREA	CHINA	
Model Name	FW-65BZ40L	FW-65BZ40L	FW-65BZ40L	FW-65BZ40L	FW-65BZ40L	
SV No.	SV-41559	SV-41413	SV-41498	SV-41497	SV-41521	
DIMENSION	TV only (W x H x D)	146.2 x 84.2 x 7.1 cm	1462 x 842 x 71 mm / 57 5/8 x 33 1/4 x 2 7/8 inch	Approx. 146.2 x 84.2 x 7.1 cm	Approx. 1462 x 842 x 71 mm	Approx. 1462 x 842 x 71 mm
	TV only with camera (W x H x D)	-	-	-	-	-
	TV with Stand (Standard position) (W x H x D)	146.2 x 91.2 x 33.8 cm	1462 x 912 x 338 mm / 57 5/8 x 36 x 13 3/8 inch	Approx. 146.2 x 91.2 x 33.8 cm	Approx. 1462 x 912 x 338 mm	Approx. 1462 x 912 x 338 mm
	TV with Stand (Narrow position) (W x H x D)	-	-	-	-	-
	TV with Stand (Soundbar position) (W x H x D)	-	-	-	-	-
	TV with Stand (Front position style) (W x H x D)	-	-	-	-	-
	TV with Stand (Back position style) (W x H x D)	-	-	-	-	-
	TV with Floor Stand (W x H x D)	-	-	-	-	-
	Stand Width (Standard position)	113.0 cm	1130 mm / 44 1/2 inch	Approx. 113.0 cm	Approx. 1130 mm	Approx. 1130 mm
	Stand Width (Narrow position)	-	-	-	-	-
Stand Width (Soundbar position)	-	-	-	-	-	
Stand Width (Front position style)	-	-	-	-	-	
Stand Width (Back position style)	-	-	-	-	-	
Floor Stand Width	-	-	-	-	-	
VESA Hole Pitch	30.0 x 30.0 cm	300 x 300 mm / 11 7/8 x 11 7/8 inch	30.0 x 30.0 cm	300 x 300 mm	300 x 300 mm	
TV Only	21.4 kg	21.4 kg / 47.2 lb	Approx. 21.4 kg	Approx. 21.4 kg	Approx. 21.4 kg	
TV with Stand (Standard position)	22.3 kg	22.3 kg / 49.2 lb	Approx. 22.3 kg	Approx. 22.3 kg	Approx. 22.3 kg	
TV with Stand (Narrow position)	-	-	-	-	-	
TV with Stand (Soundbar position)	-	-	-	-	-	
TV with Stand (Front/Back position style)	-	-	-	-	-	
TV with Floor Stand	-	-	-	-	-	
Floor Stand weight (Supply)	-	-	-	-	-	
W-M't Br. Weight (Supply)	-	-	-	-	-	
Remarks			Optional stand	Optional stand		

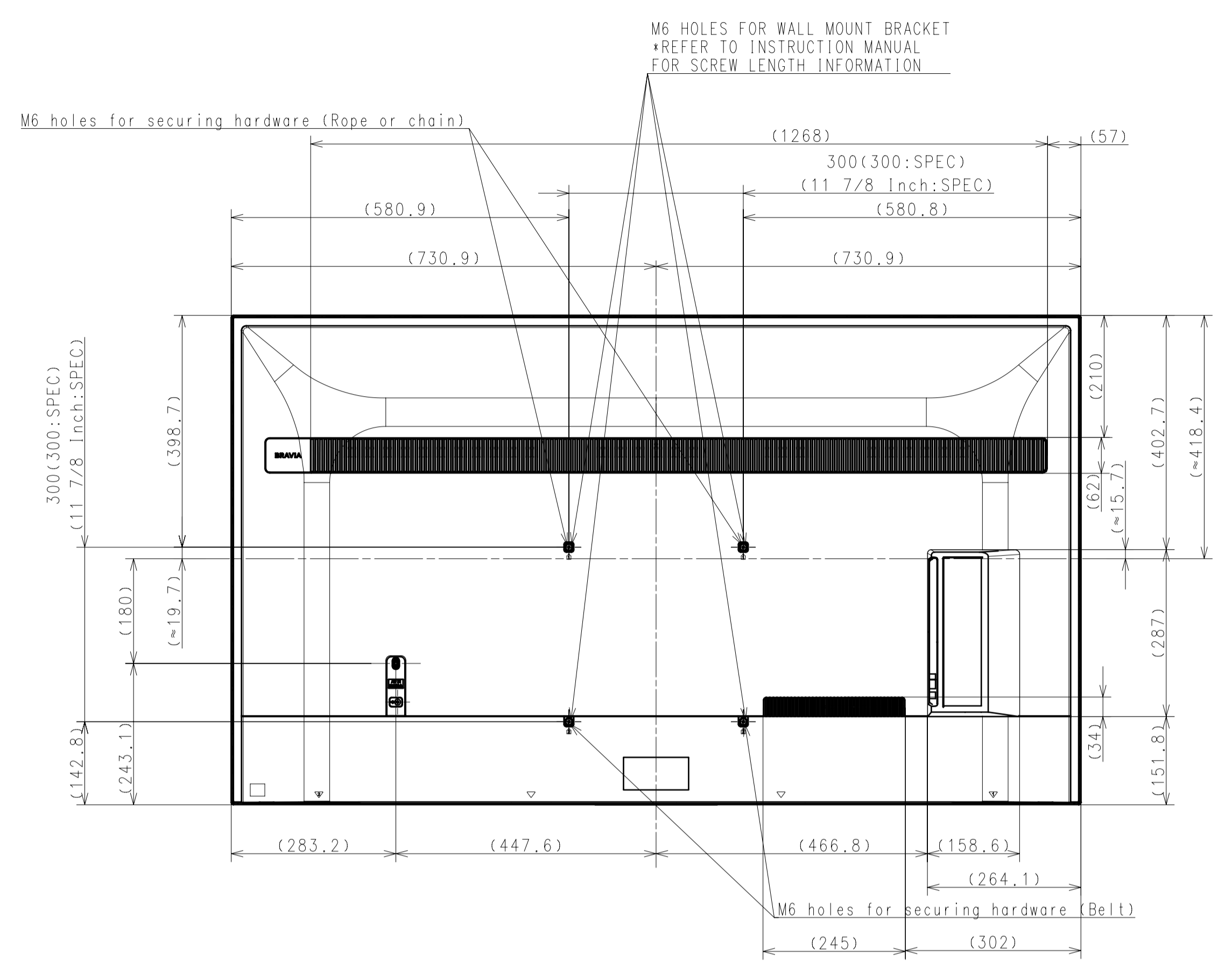
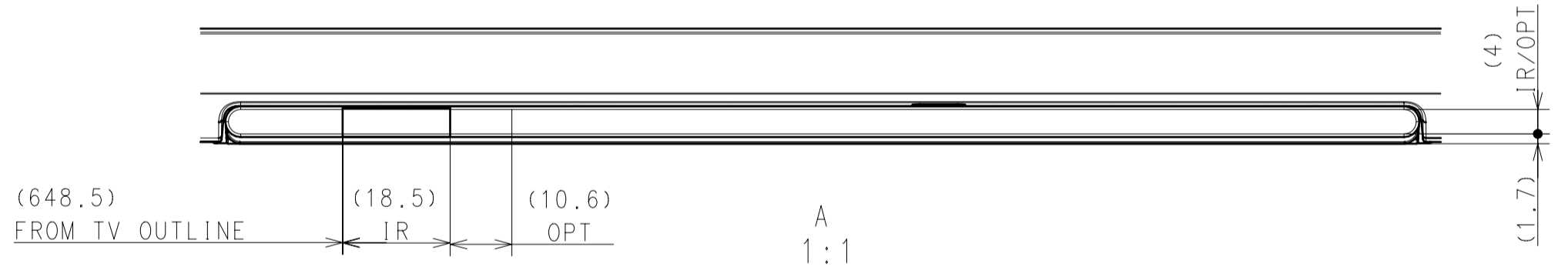
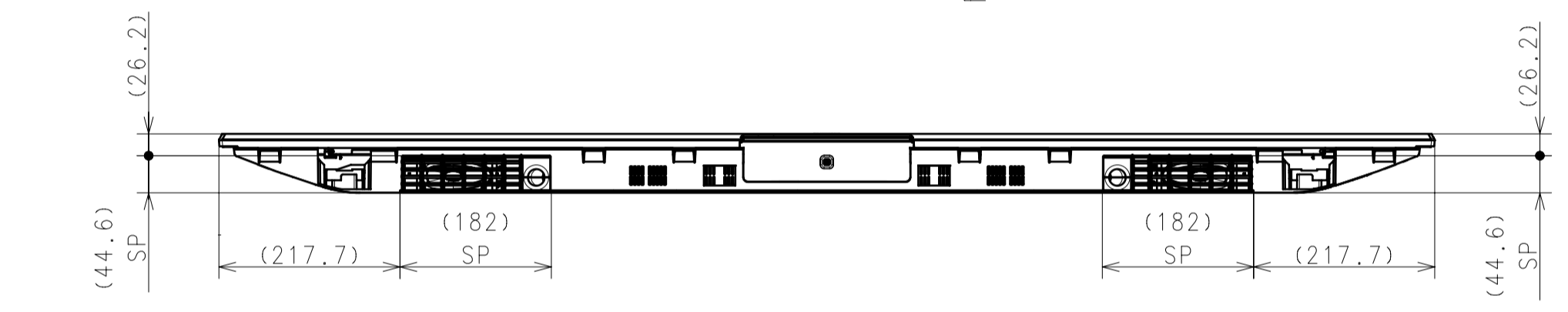
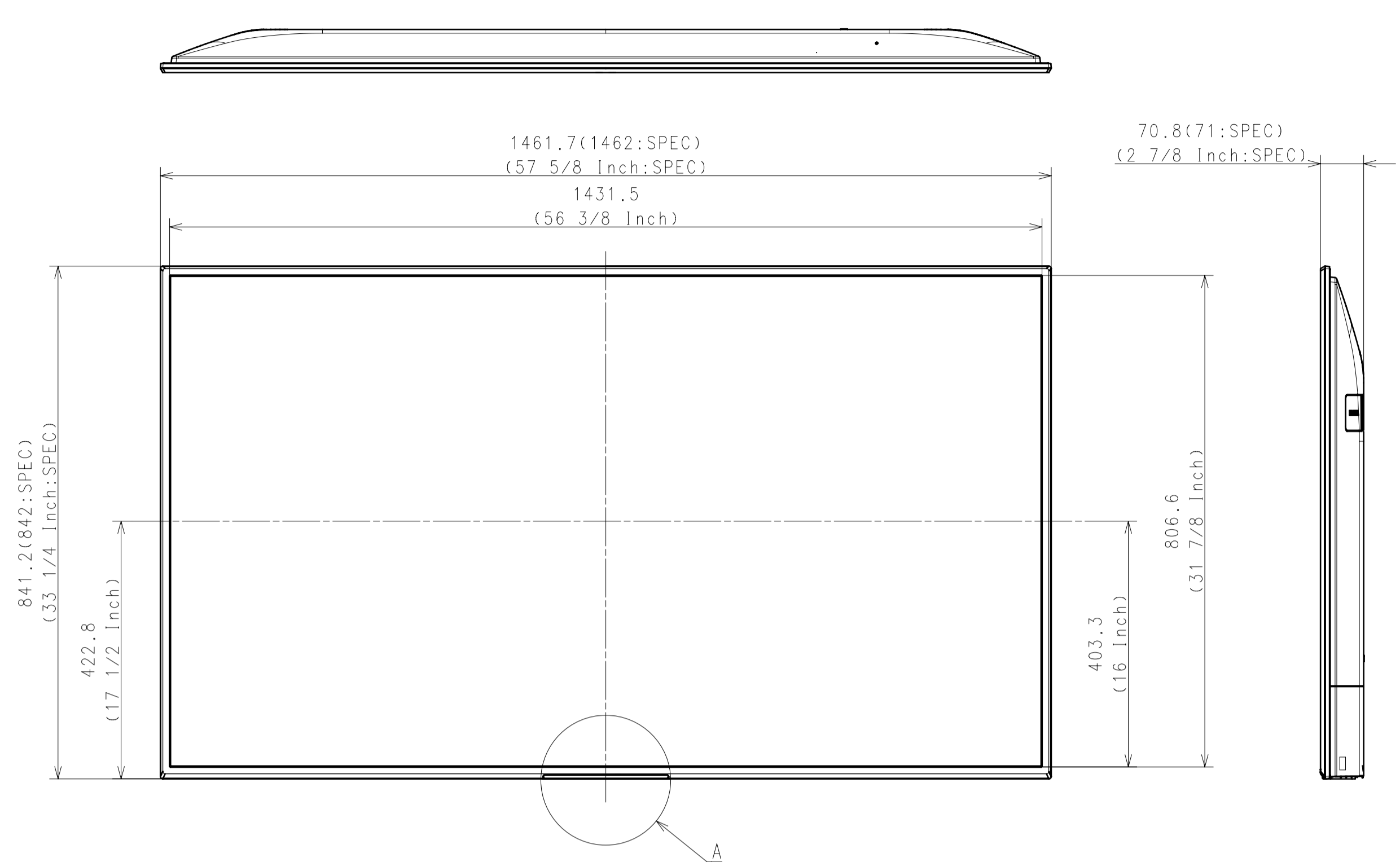
WITH STAND



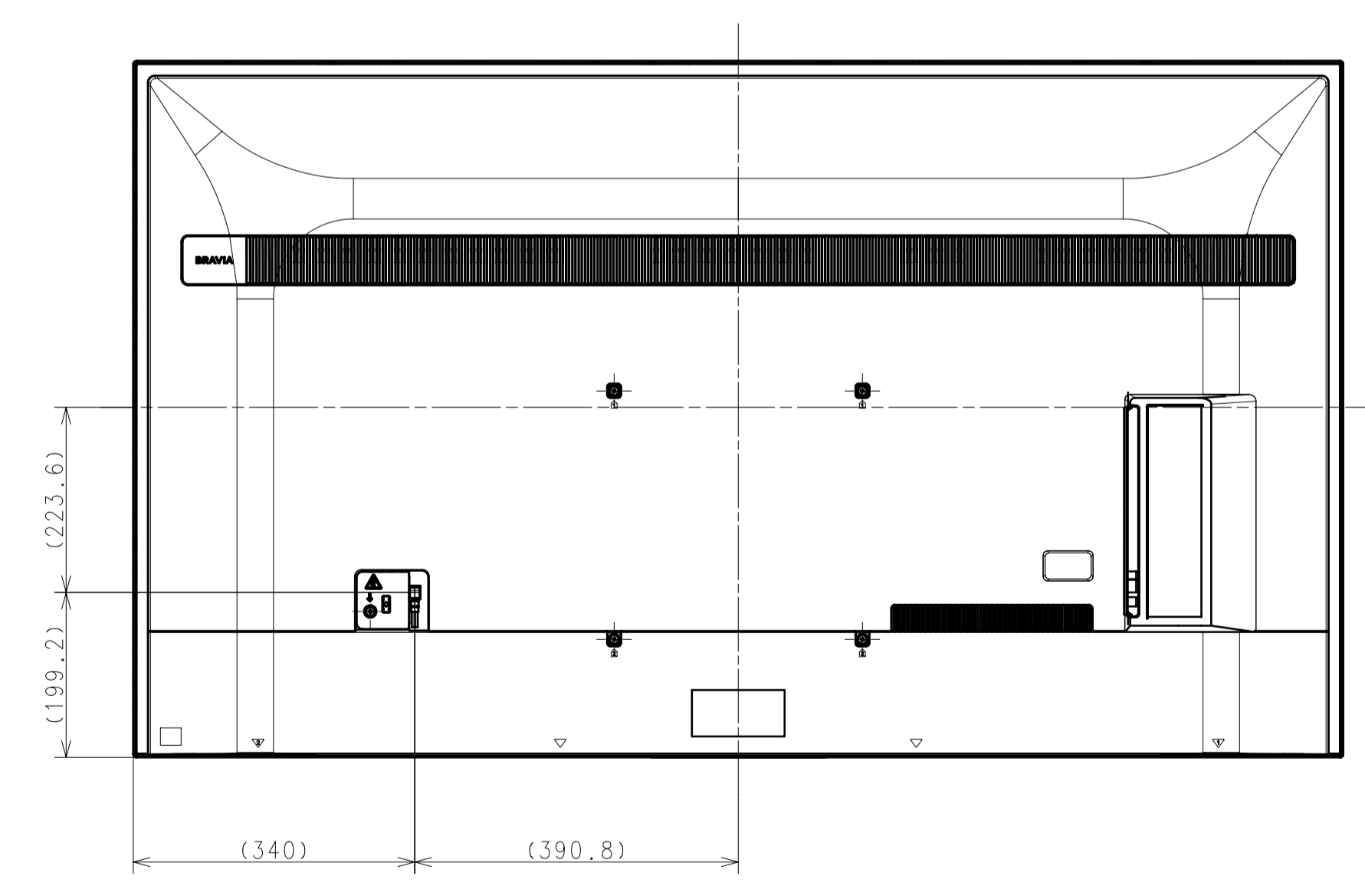
Purchase recycled resins and wire rods only from the business partners that Sony approves as Green Partners.  
 再生樹脂・銅線棒はリサイクル製品を使用してください。

GENERAL TOLERANCE DATE OF ISSUE 2023.01.05 DOCUMENT TYPE ASSEMBLY DRAWING TOLERANCING DRAWING (JIS & ISO/IEC JIS)		MATERIAL COLOR FINISH COLOR	
HISTORY X COUNT SUFFIX PREL. NO. DATE RELEASE NO. DATE REVISION SIGN.		RESPONSIBLE DEPARTMENT ORIGINAL MODEL 65(BZ40L) EXTERIOR VIEW DESIGNED BY 2023.01.05 CHECKED BY 2023.01.05 DRAWN BY 2023.01.05 APPROVED BY SCALE 1:7 TENTATIVE MODEL 65(BZ40L) EXTERIOR VIEW SIZE A1 UNIT mm SHEET/PAGES 1/4	

WITHOUT STAND



For. NORTH AMERICA, GENERAL AREA, CHINA, EUROPE

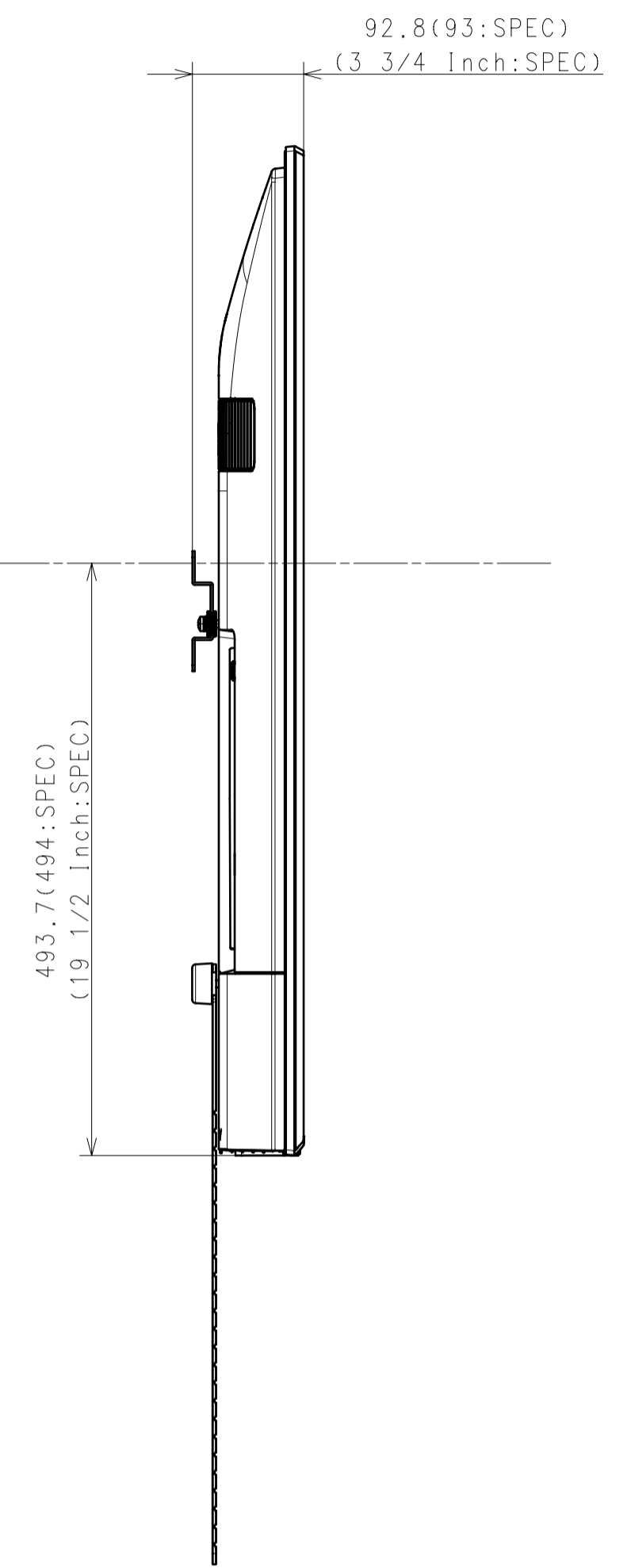
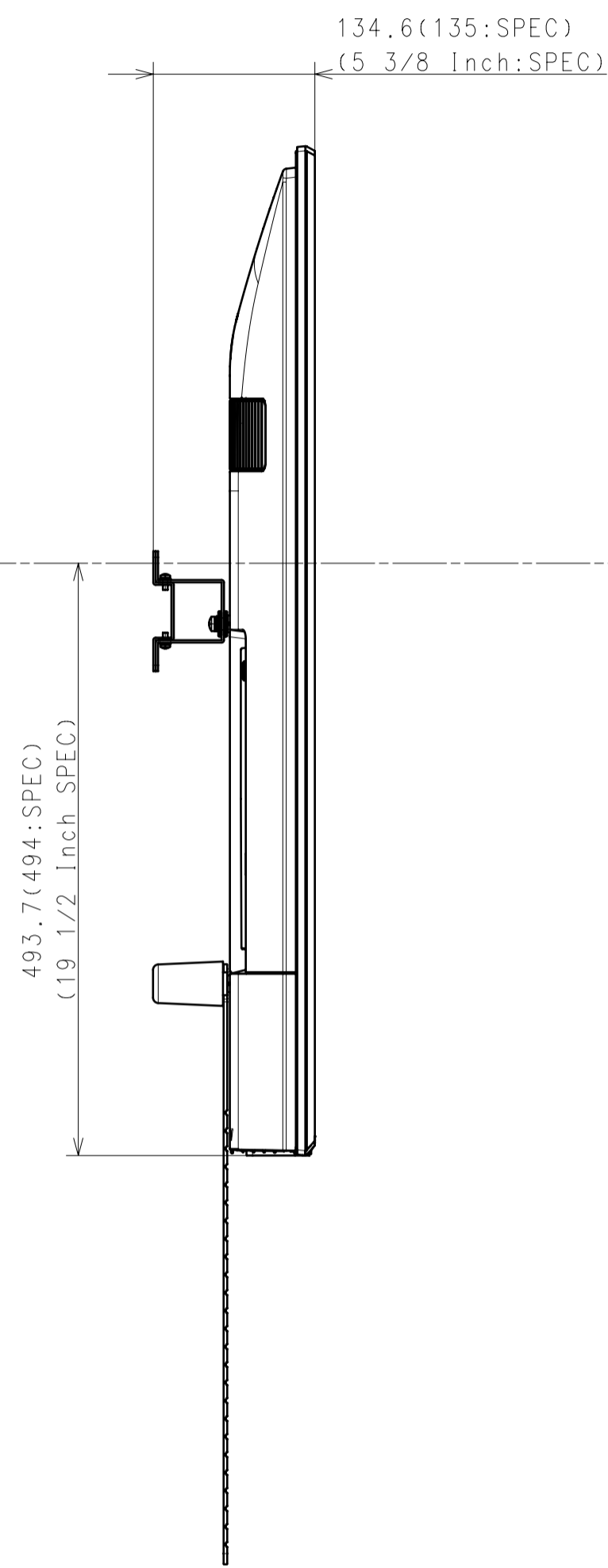
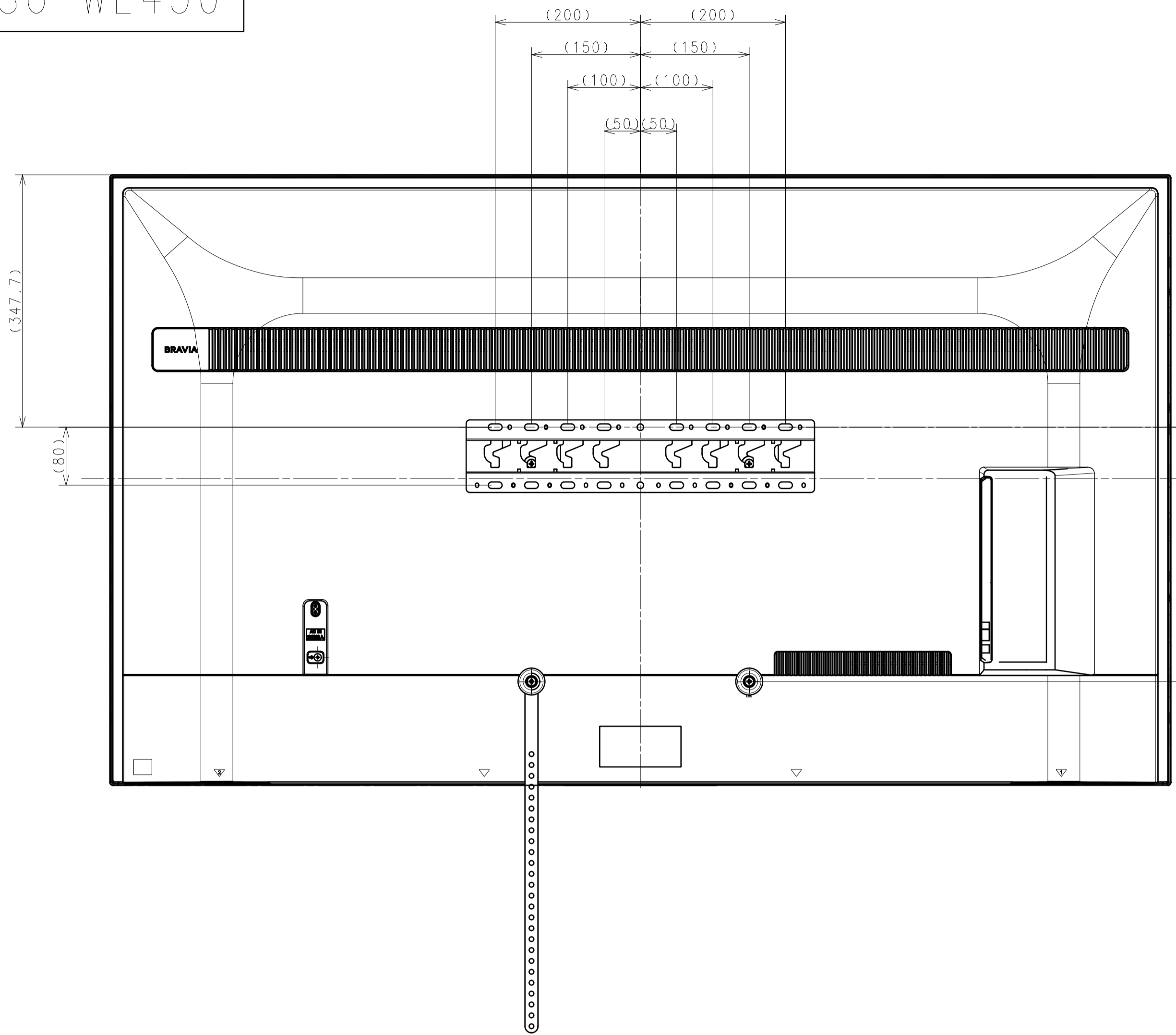


For. JAPAN

SU-WL450

STANDARD

SLIM

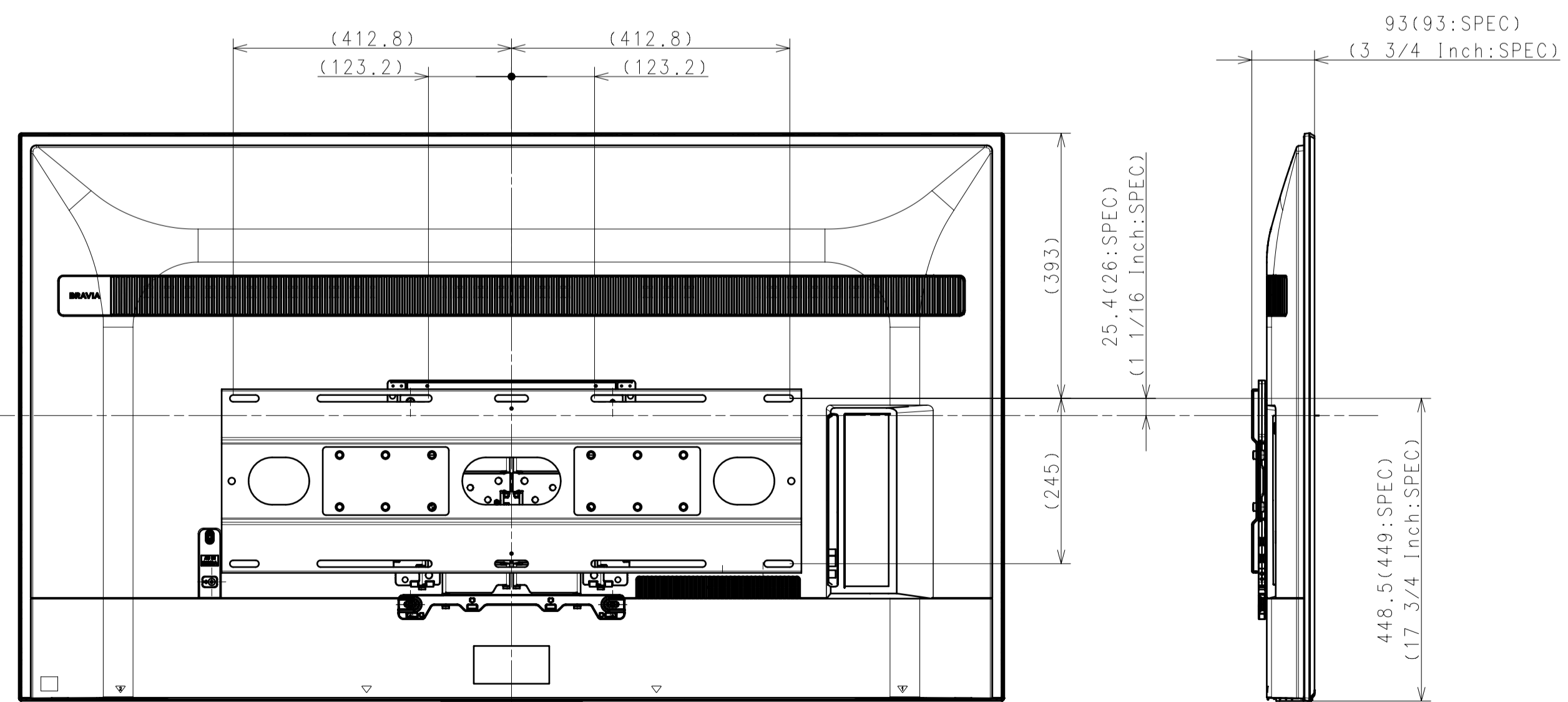
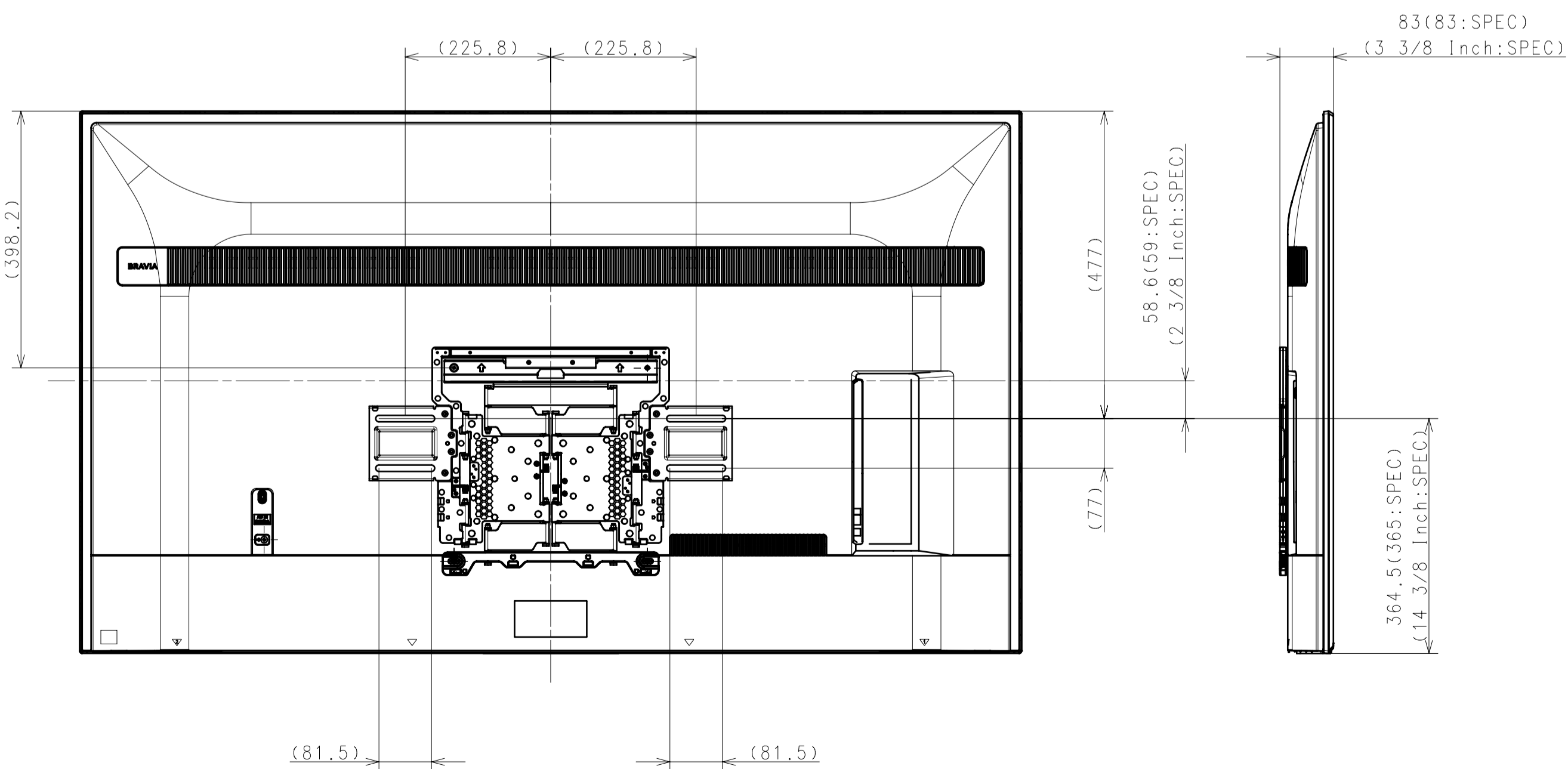
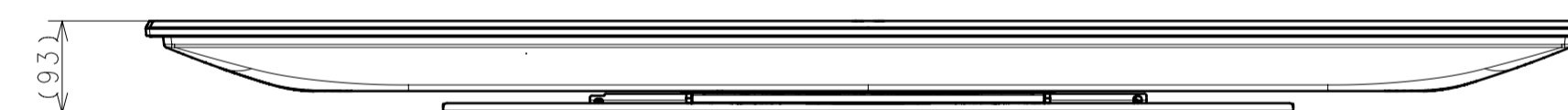
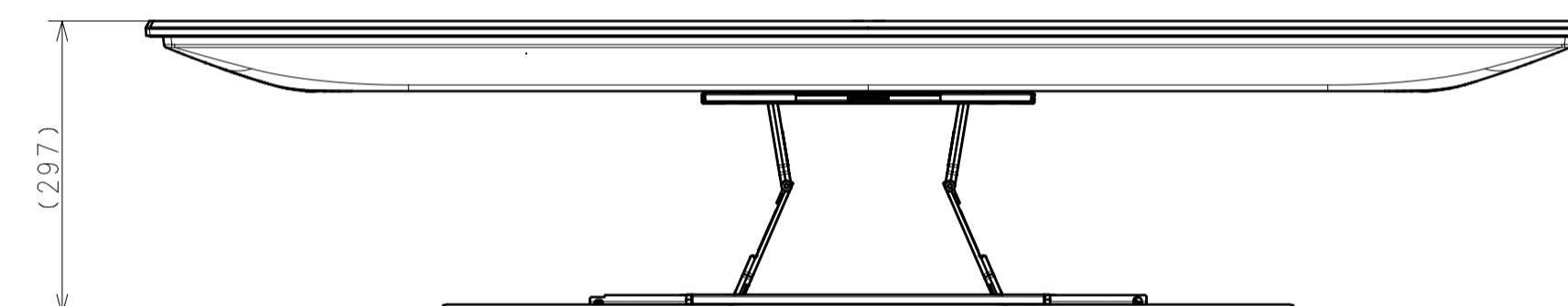
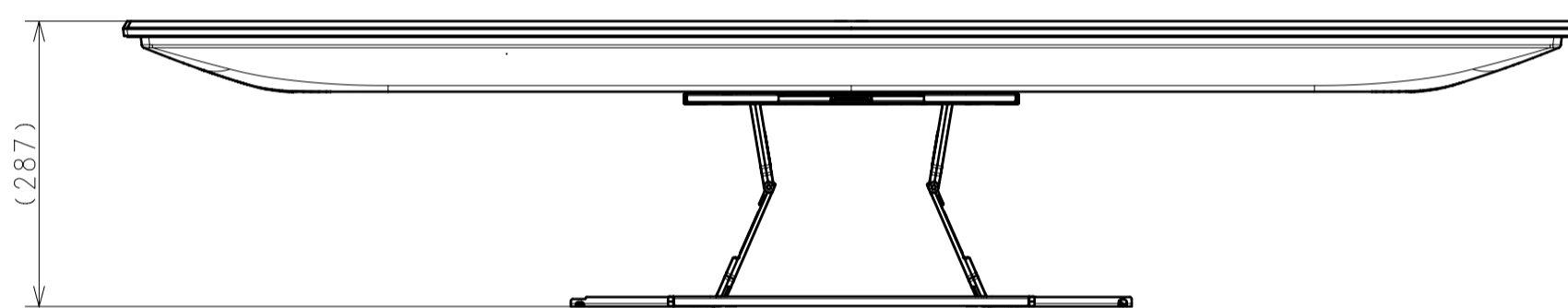
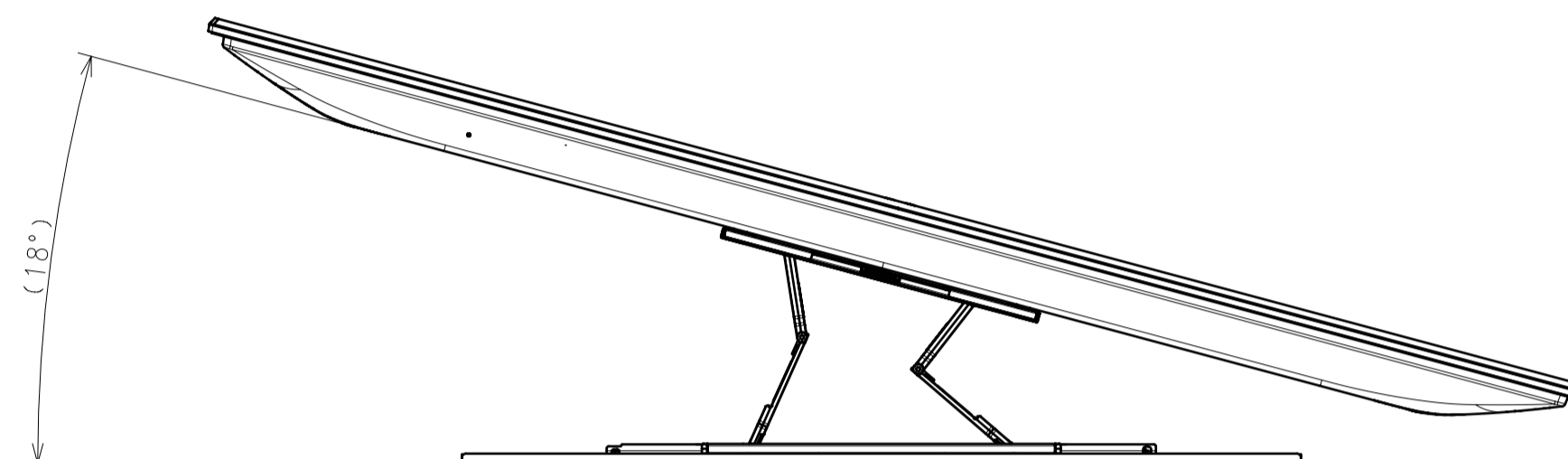
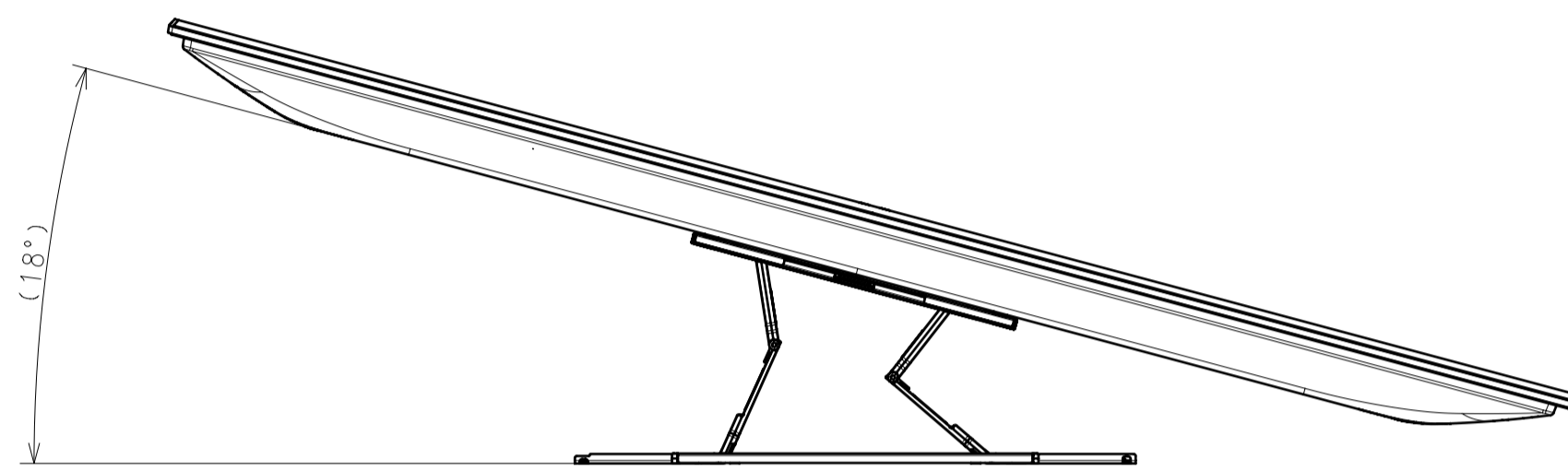
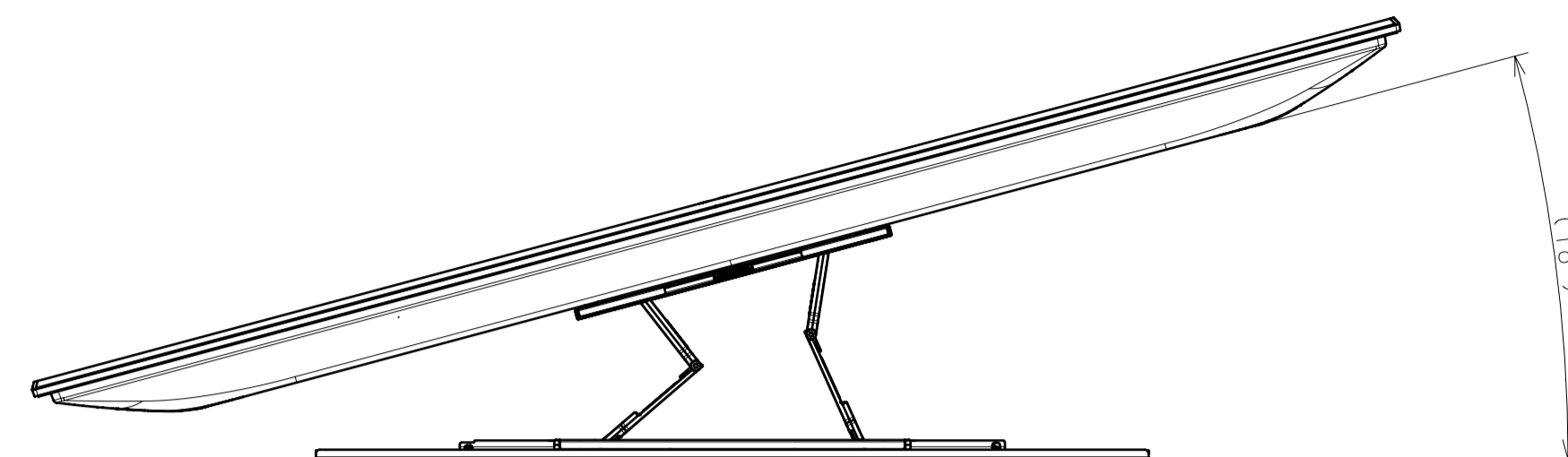
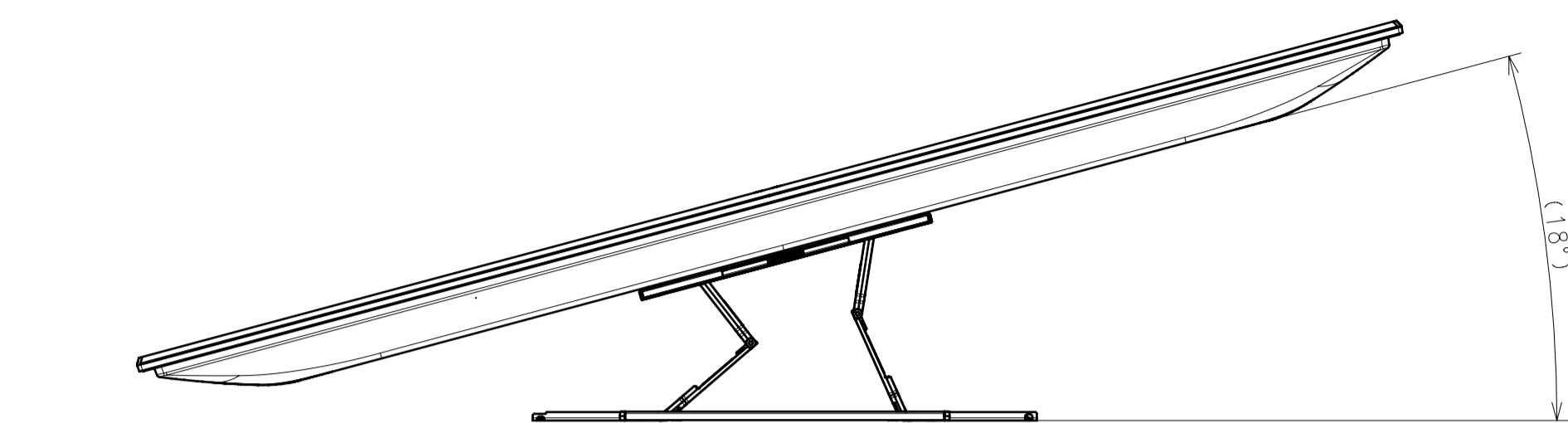


SONY STANDARD

DESCRIPTION	LEGAL OWNER	SCALE
65(BZ40L) EXTERIOR VIEW	Sony Corporation	1:5
DESCRIPTION	PART NO.	SHEET/PAGES
65(BZ40L) EXTERIOR VIEW		3 / 4

SU-WL 850

SU-WL 855 WITH LATERAL SHAFT BRACKET



DESCRIPTION 1	LEGAL OWNER	SCALE
65(BZ40L) EXTERIOR VIEW	Sony Corporation	1:7
DESCRIPTION 2	PART NO.	SHEET/PAGES
65(BZ40L) EXTERIOR VIEW		4 / 4