

# SCREEN CONFIGURATION SUMMARY

PROJECT: WP22-07590 - INCEEL 2650 VAC

SCREEN: PRININCEEL-02742 - 2650-INCEEL-1.78-VAC-C05

## SCREEN:

PRININCEEL-02742

Description: 2650-INCEEL-1.78-VAC-C05

Description 2: Overall size 3.170X1.790 mm

Screen Model: Inceel

Native Aspect Ratio: 1.78 Widescreen TV (16:9)

Fabric: Vision Acoustik

Screen Finishing: Tensio Classic Border 5

Dimension Range: 2650 mm Viewing Area

## OPTIONS:

Fabric Roll Assembly: Back Fall

Screen Finish Option: White Matte

Screen Mechanism: Somfy Standard Motor

Voltage: 230V 50Hz

Instructions: Adeo Screen Manual

## ACCESSORIES:

QTY

Control System:

AROL0004: Interface RS232-RF-12V-Dry contact for Screen - 1 interface control 1 motor (for Biformat 2 interface) 1

TOTAL, EXCLUDING FREIGHT & LOCAL TAXES:

## Customer:

AWE EUROPE LTD

Alexander House 3A, Blenheim Road

EPSOM

KT19 9AP

GB

Phone:

Email:

Website: [www.awe-europe.com](http://www.awe-europe.com)

## Comments:

# SCREEN CONFIGURATION SUMMARY

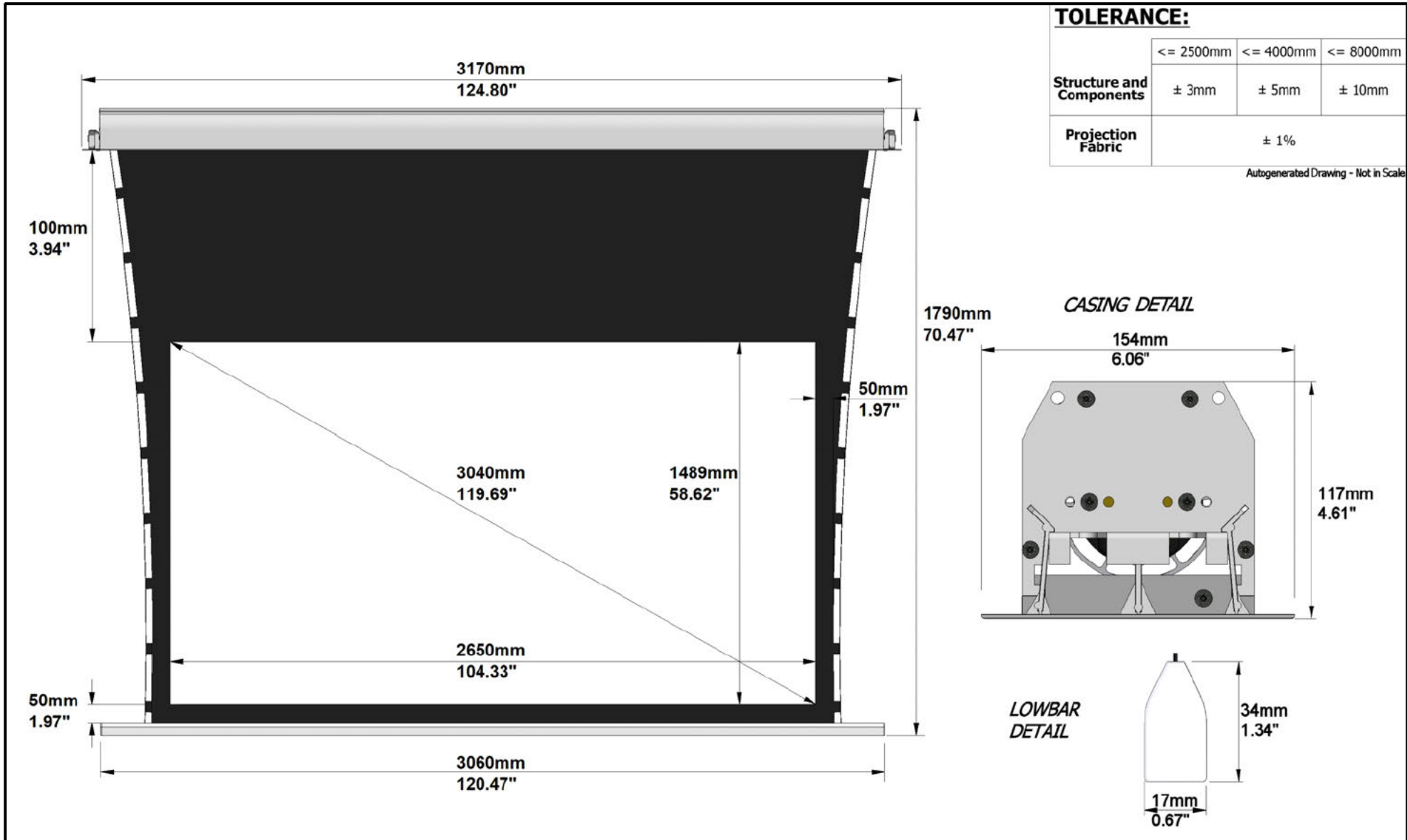
PROJECT: WP22-07590 - INCEEL 2650 VAC

SCREEN: PRININCEEL-02742 - 2650-INCEEL-1.78-VAC-C05

## TOLERANCE:

	<= 2500mm	<= 4000mm	<= 8000mm
Structure and Components	± 3mm	± 5mm	± 10mm
Projection Fabric	± 1%		

Autogenerated Drawing - Not in Scale

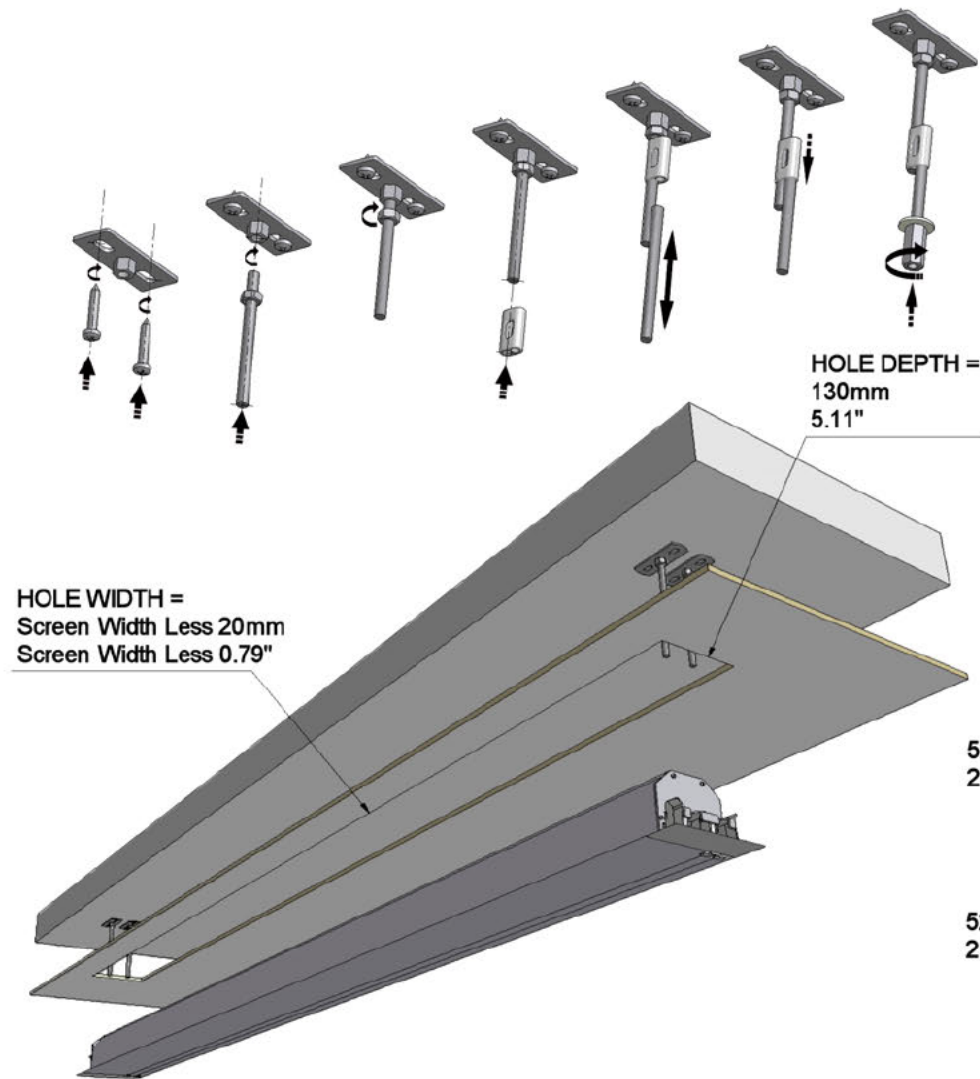


# SCREEN CONFIGURATION SUMMARY

PROJECT: WP22-07590 - INCEEL 2650 VAC

SCREEN: PRININCEEL-02742 - 2650-INCEEL-1.78-VAC-C05

## MOUNTING BRACKET AND INSTALLATION VIEW:



## PACKAGING INFORMATION:

ESTIMATED SCREEN NET WEIGHT: 23.80Kg  
52.40Lbs

	SHIPPING DIMENSIONS				NUMBER OF BOXES	TOTAL SHIPPING WEIGHT	
	LENGTH	DEPTH	HEIGHT	PALLET HEIGHT		kg	lbs
mm	3220mm	200mm	210mm	320mm	1	26.40	58.08
inches	126.77"	7.87"	8.27"	12.60"		58.08	

Autogenerated Drawing - Not in Scale

