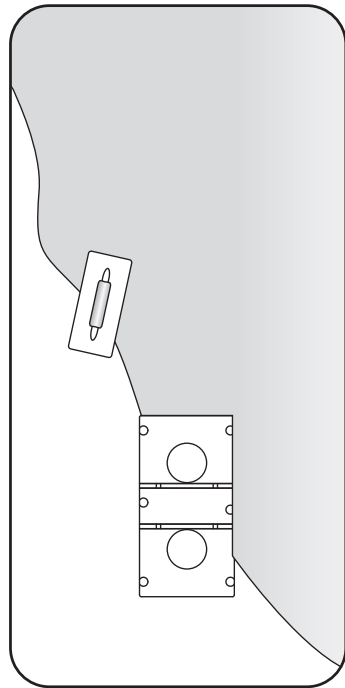


Figure 4



1112289 Issue 2

# Bowers & Wilkins

## Back Box ISW-4

Installation Instructions

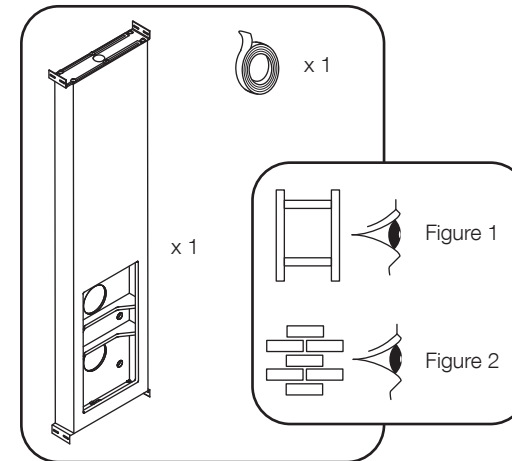
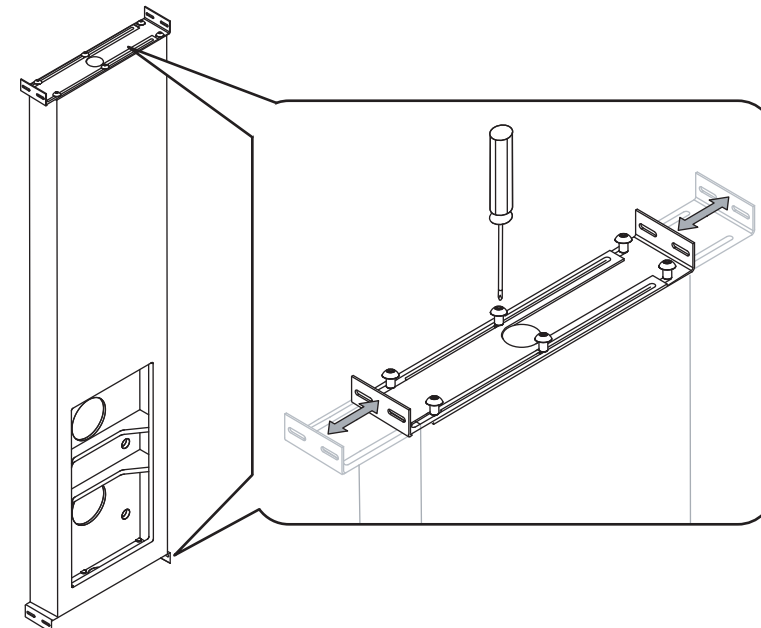


Figure 1a



## Bowers & Wilkins

B&W Group Ltd  
Dale Road  
Worthing West Sussex  
BN11 2BH England

T +44 (0) 1903 221800  
F +44 (0) 1903 221801  
info@bwgroup.com  
www.bowers-wilkins.com

B&W Group (UK Sales)  
T +44 1903 221 500  
E uksales@bwgroup.com

B&W Group North America  
T +1 978 664 2870  
E marketing@bwgroupusa.com

B&W Group Asia Ltd  
T +852 3472 9300  
E info@bwgroup.hk

B&W Group Ltd. reserves the right to  
amend details of the specification without  
notice in line with technical developments.

Copyright © B&W Group Ltd. E&OE  
Printed in China.

Figure 1b

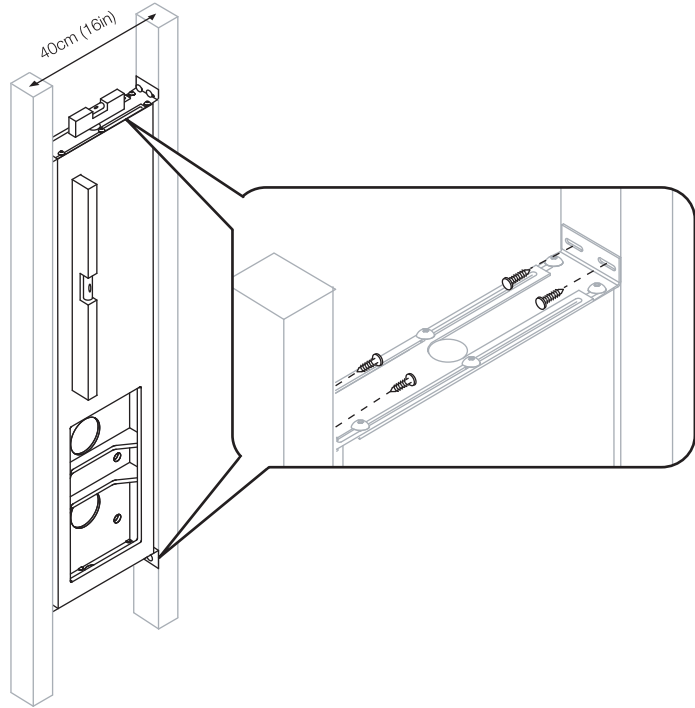


Figure 2a

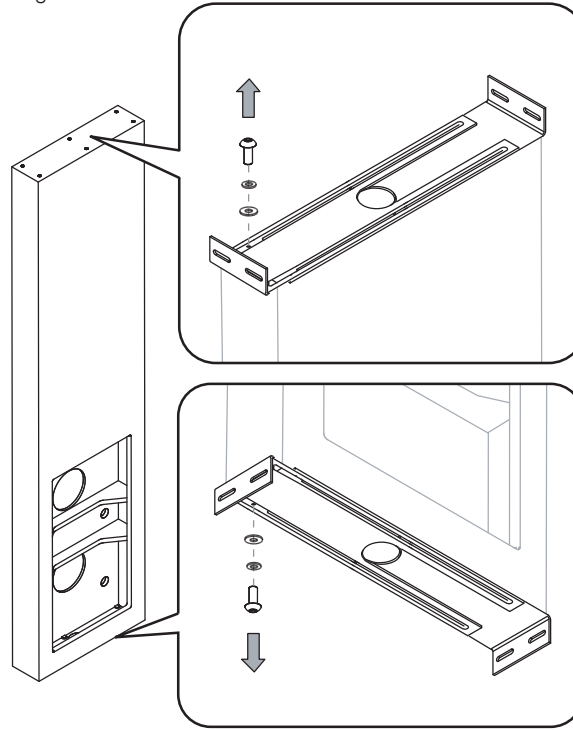


Figure 2b

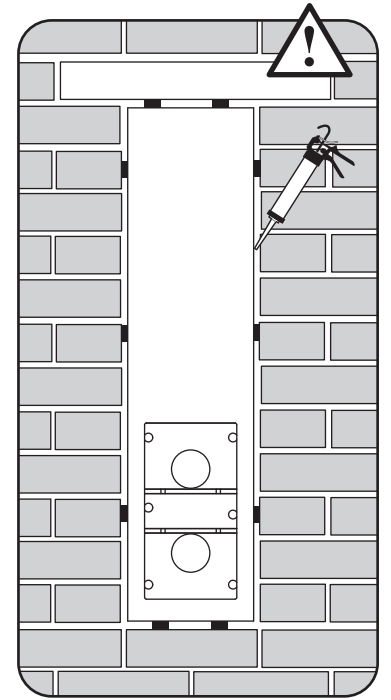


Figure 1c

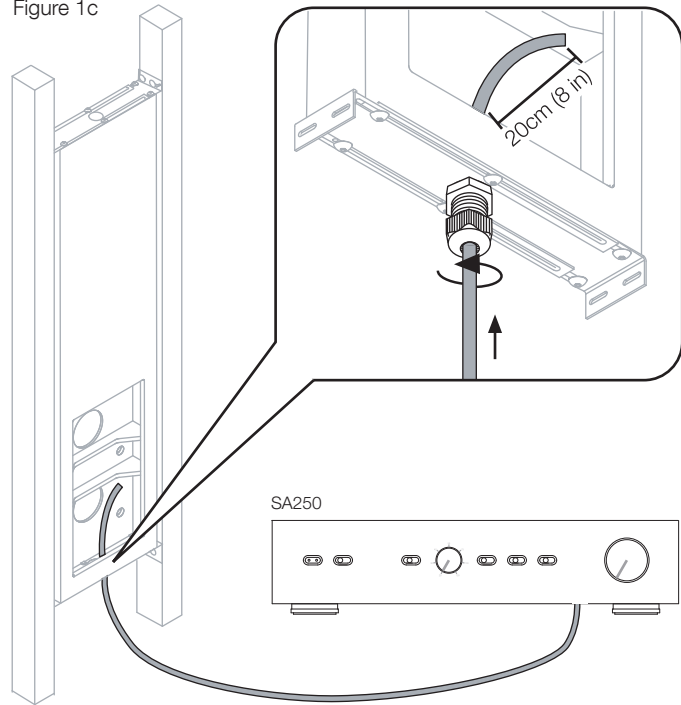


Figure 3

