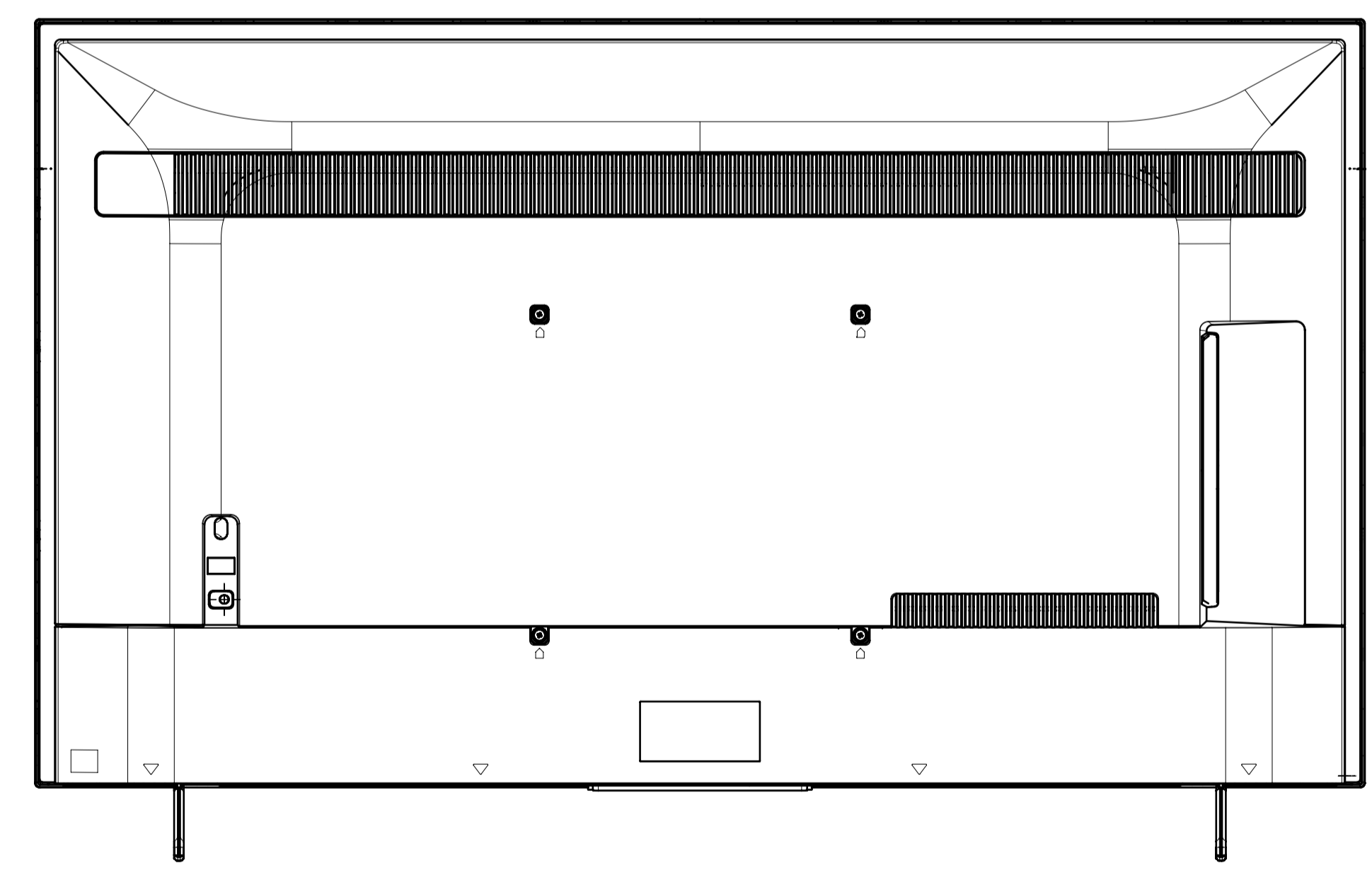


| Area                      | JAPAN  | NORTH AMERICA                       | EUROPE  | GENERAL AREA                   | CHINA                       |                             |
|---------------------------|--|-------------------------------------|---|--------------------------------|-----------------------------|-----------------------------|
| Model Name                | FW-55BZ30L                                       | FW-55BZ30L                          | FW-55BZ30L                                    | FW-55BZ30L                     | FW-55BZ30L                  |                             |
| SV No.                    | SV-41554   | SV-41404                            | SV-41487                                      | SV-41488                       | SV-41512                    |                             |
| DIMENSION                 | TV only (W x H x D)                              | 124.3 x 72.1 x 7.1 cm               | 1243 x 721 x 71 mm / 49 x 28 1/2 x 2 7/8 inch | Approx. 124.3 x 72.1 x 7.1 cm  | Approx. 1243 x 721 x 71 mm  | Approx. 1243 x 721 x 71 mm  |
|                           | TV only with camera (W x H x D)                  | -                                   | -   | -                              | -                           | -                           |
|                           | TV with Stand (Standard position) (W x H x D)    | 124.3 x 78.7 x 33.8 cm              | 1243 x 787 x 338 mm / 49 x 31 x 13 3/8 inch   | Approx. 124.3 x 78.7 x 33.8 cm | Approx. 1243 x 787 x 338 mm | Approx. 1243 x 787 x 338 mm |
|                           | TV with Stand (Narrow position) (W x H x D)      | -                                   | -   | -                              | -                           | -                           |
|                           | TV with Stand (Soundbar position) (W x H x D)    | -                                   | -   | -                              | -                           | -                           |
|                           | TV with Stand (Front position style) (W x H x D) | -                                   | -   | -                              | -                           | -                           |
|                           | TV with Stand (Back position style) (W x H x D)  | -                                   | -   | -                              | -                           | -                           |
|                           | TV with Floor Stand (W x H x D)                  | -                                   | -   | -                              | -                           | -                           |
|                           | Stand Width (Standard position)                  | 98.3 cm                             | 983 mm / 38 3/4 inch                          | Approx. 98.3 cm                | Approx. 983 mm              | Approx. 983 mm              |
|                           | Stand Width (Narrow position)                    | -                                   | -   | -                              | -                           | -                           |
|                           | Stand Width (Soundbar position)                  | -                                   | -   | -                              | -                           | -                           |
|                           | Stand Width (Front position style)               | -                                   | -   | -                              | -                           | -                           |
|                           | Stand Width (Back position style)                | -                                   | -   | -                              | -                           | -                           |
|                           | Floor Stand Width                                | -                                   | -   | -                              | -                           | -                           |
| VESA Hole Pitch           | 30.0 x 30.0 cm                                   | 300 x 300 mm / 11 7/8 x 11 7/8 inch | 30.0 x 30.0 cm                                | 300 x 300 mm                   | 300 x 300 mm                |                             |
| WEIGHT                    | TV Only  | 15.7 kg                             | 15.7 kg / 34.6 lb                             | Approx. 15.7 kg                | Approx. 15.7 kg             | Approx. 15.7 kg             |
|                           | TV with Stand (Standard position)                | 16.6 kg                             | 16.6 kg / 36.6 lb                             | Approx. 16.6 kg                | Approx. 16.6 kg             | Approx. 16.6 kg             |
|                           | TV with Stand (Narrow position)                  | -                                   | -   | -                              | -                           | -                           |
|                           | TV with Stand (Soundbar position)                | -                                   | -   | -                              | -                           | -                           |
|                           | TV with Stand (Front/Back position style)        | -                                   | -   | -                              | -                           | -                           |
|                           | TV with Floor Stand                              | -                                   | -   | -                              | -                           | -                           |
|                           | Floor Stand weight (Supply)                      | -                                   | -   | -                              | -                           | -                           |
| W-M't Br. Weight (Supply) | -  | -                                   | -   | -                              | -                           |                             |
| Remarks                   |  | Optional stand                      | Optional stand                                |                                |                             |                             |



Purchase recycled resins and wire rods only from the business partners that Sony approves as Green Partners.  
再生樹脂・銅線材はグリーンパートナー認定受注先から調達すること。

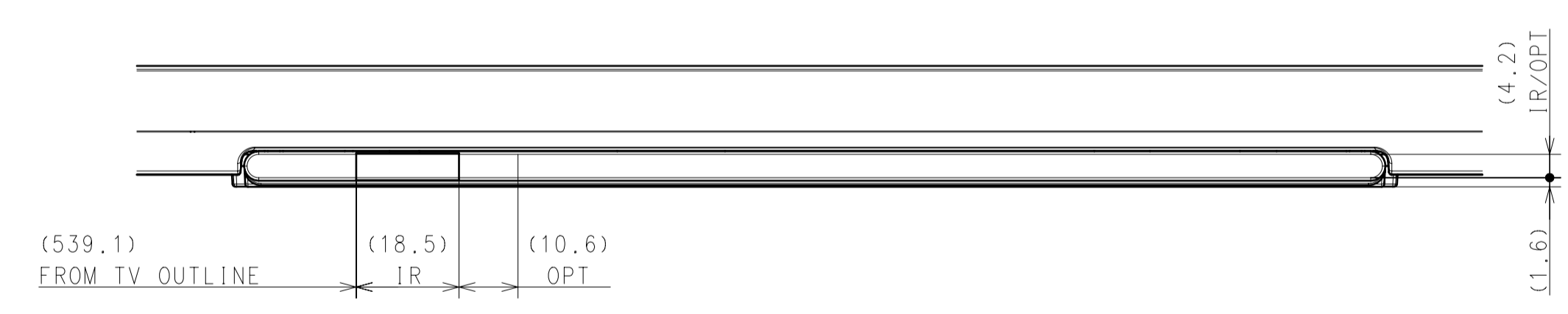
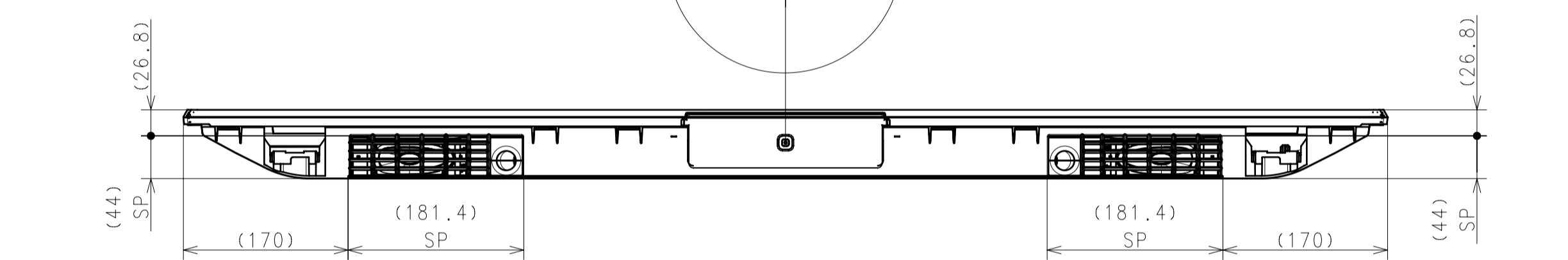
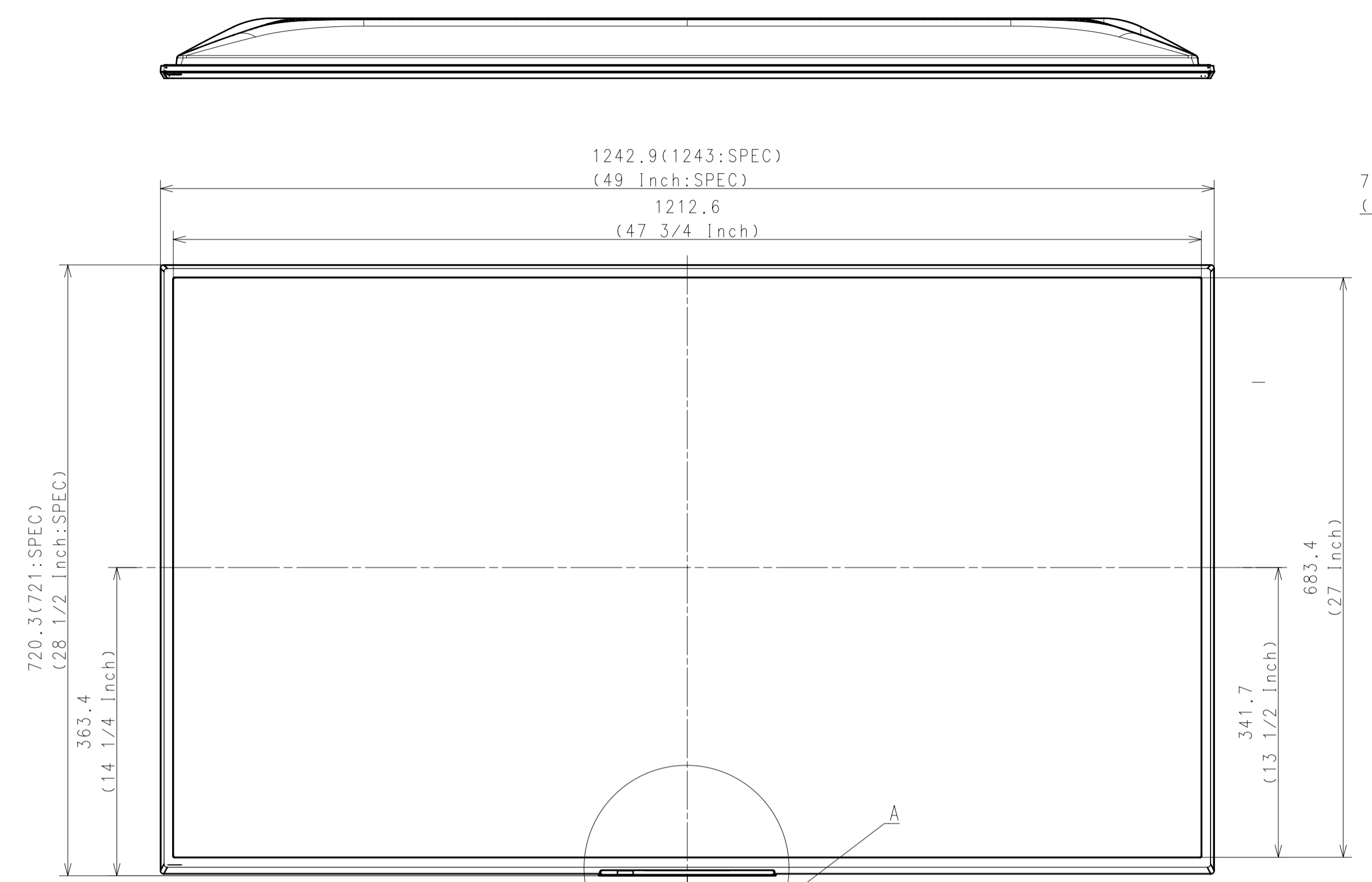
|   |                                    |                     |             |                    |  |
|---|------------------------------------|---------------------|-------------|--------------------|--|
| △A  |                                    |                     |             | GENERAL TOLERANCE  | DATE OF ISSUE<br>2023.01.04                      |
| △B  |                                    |                     |             |                    | DOCUMENT TYPE<br>ASSEMBLY                        |
| △C  |                                    |                     |             |                    | TELEMARKETING<br>DRAWING<br>JIS B 0041(ISO 8015) |
| HISTORY<br>X COUNT                                  | DIFFIX<br>/REF.                    | RELEASE NO.<br>DATE | REVISION    | SIGN.              | MATERIAL(COLOR)                                  |
| LEGAL OWNER<br>Sony Corporation                     |                                    |                     |             |                    |  |
| RESPONSIBLE DEPARTMENT<br>PANEL & MECHANICAL DESIGN |                                    | SIZE<br>A1          | UNIT<br>mm  | ORIGINAL MODEL     | DESCRIPTION KEY<br>55(BZ30L) EXTERIOR VIEW       |
| PLANNED BY<br>2023.01.04<br>MIHA IWI                | DRAWN BY<br>2023.01.04<br>MIHA IWI | CHECKED BY          | APPROVED BY | SCALE<br>1:5       | DESCRIPTION KEY<br>55(BZ30L) EXTERIOR VIEW       |
|   |                                    | REV. METHOD         |             | TENTATIVE PART NO. | PART NO.   |
|   |                                    |                     |             |                    | SHEET/PAGES<br>1/4                               |

△A △B △C

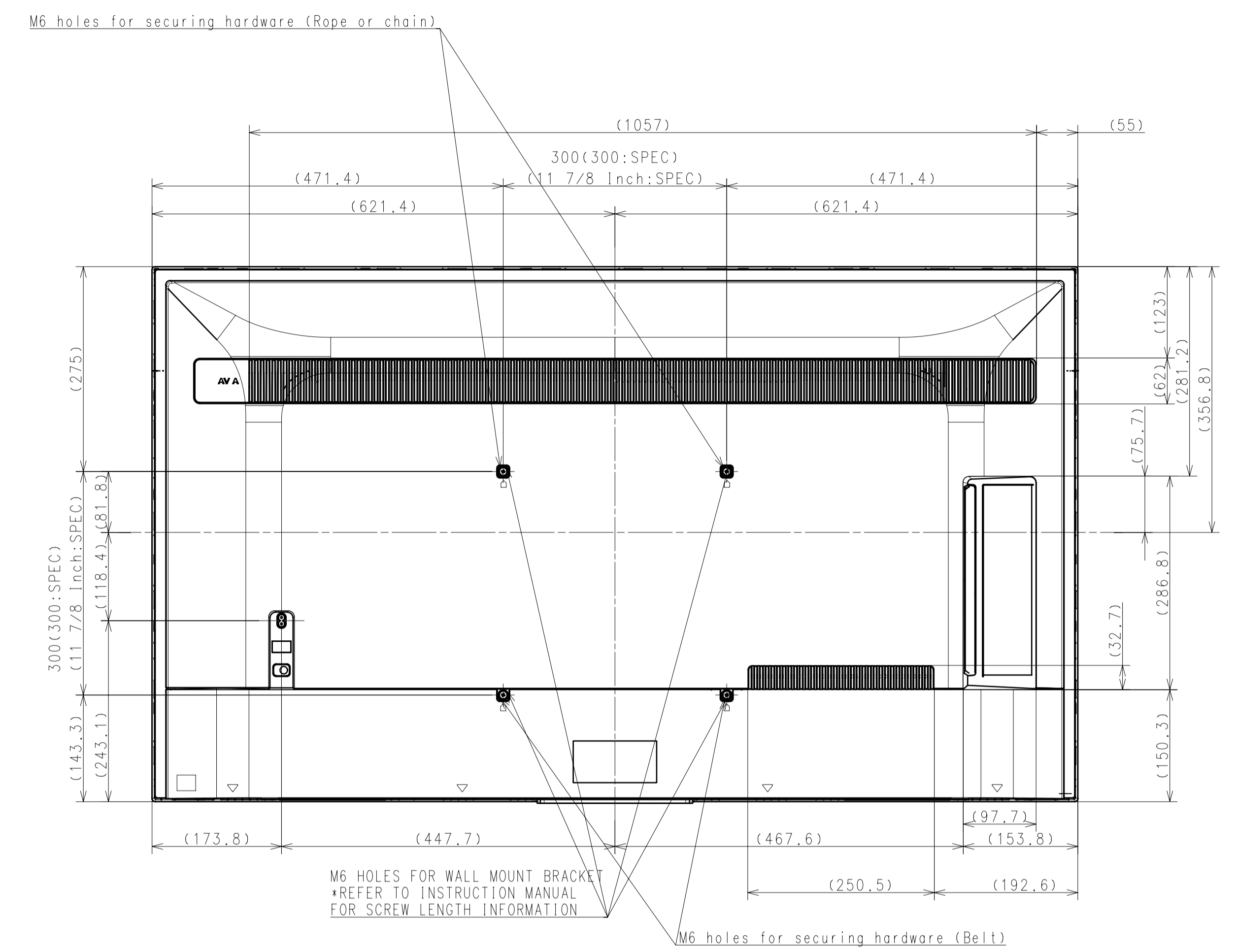
DATE OF ISSUE: 2023.01.04  
DOCUMENT TYPE: ASSEMBLY  
TELEMARKETING DRAWING  
JIS B 0041(ISO 8015)

RESPONSIBLE DEPARTMENT: PANEL & MECHANICAL DESIGN  
SIZE: A1 UNIT: mm  
ORIGINAL MODEL: 55(BZ30L) EXTERIOR VIEW  
PLANNED BY: 2023.01.04 MIHA IWI  
DRAWN BY: 2023.01.04 MIHA IWI  
SCALE: 1:5  
DESCRIPTION KEY: 55(BZ30L) EXTERIOR VIEW  
SHEET/PAGES: 1/4

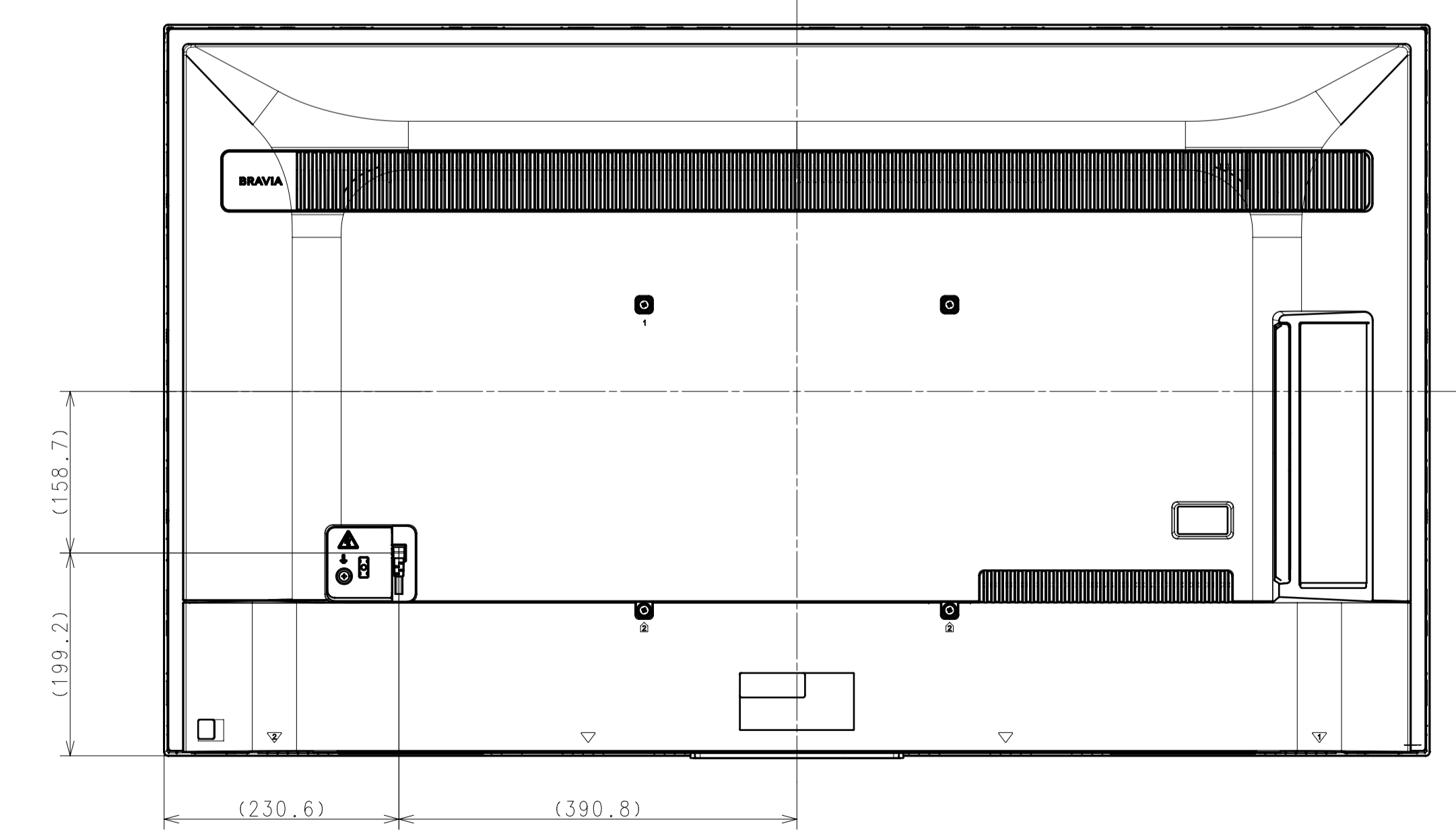
WITHOUT STAND



A  
1:1



For. NORTH AMERICA, GENERAL AREA, CHINA, EUROPE



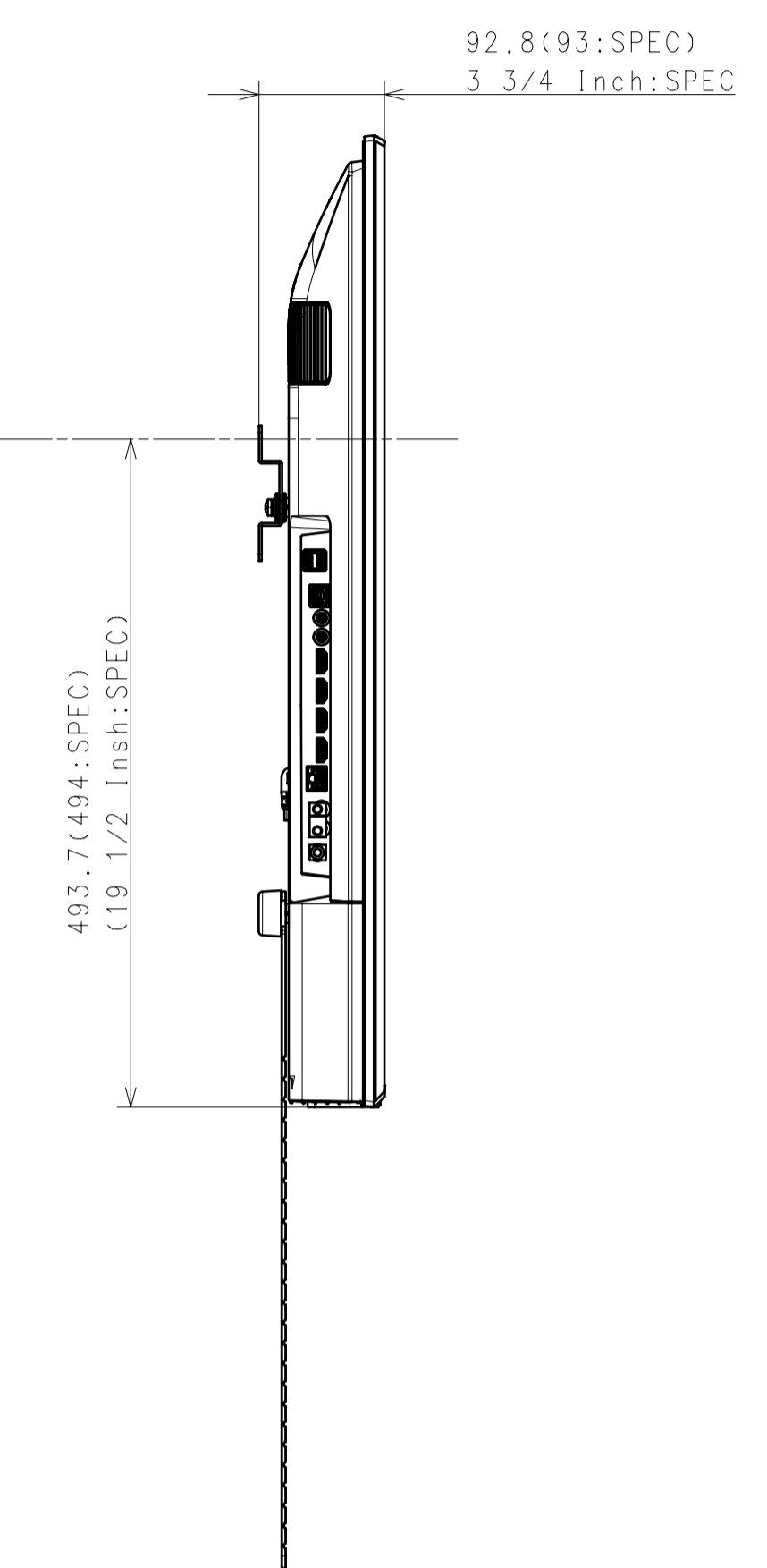
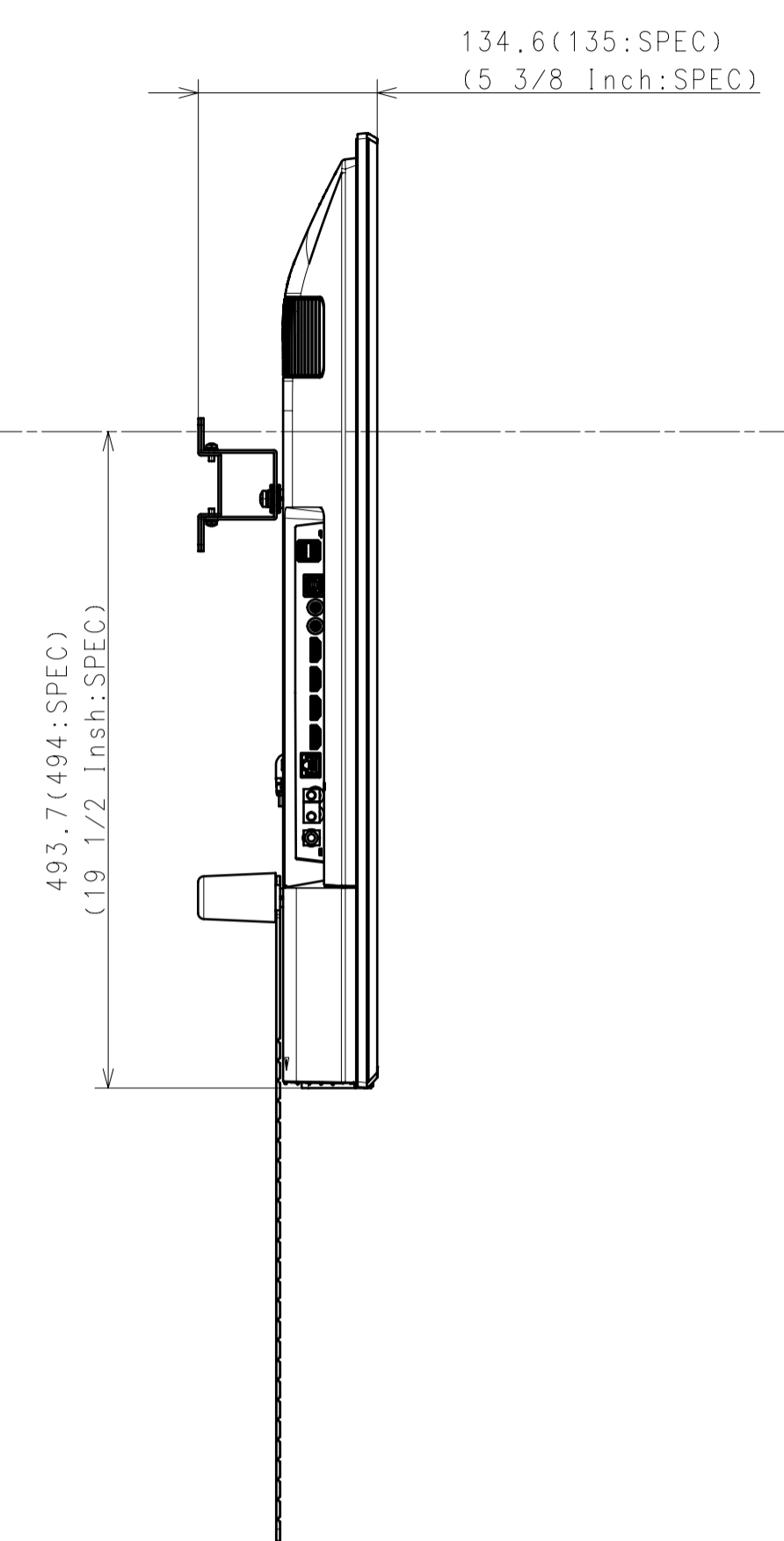
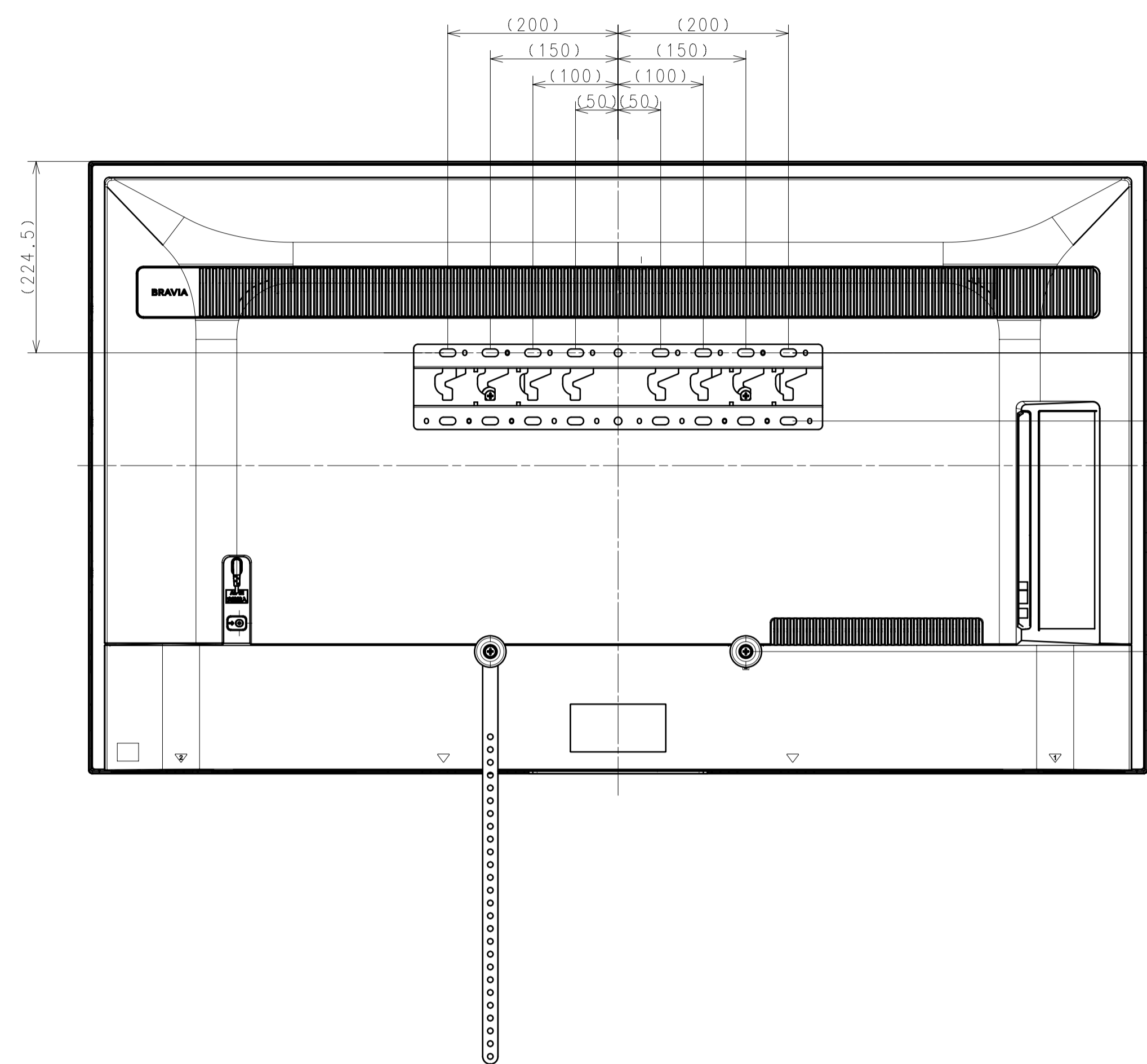
For. JAPAN

|                                      |                              |                    |
|--------------------------------------|------------------------------|--------------------|
| DESCRIPTION: 55(BZ30L) EXTERIOR VIEW | EQUAL VIEW: Sony Corporation | SCALE: 1:5         |
| DESCRIPTION: 55(BZ30L) EXTERIOR VIEW | TENTATIVE PART NO.           | SHEET/PAGES: 2 / 4 |

SU-WL450

STANDARD

SLIM

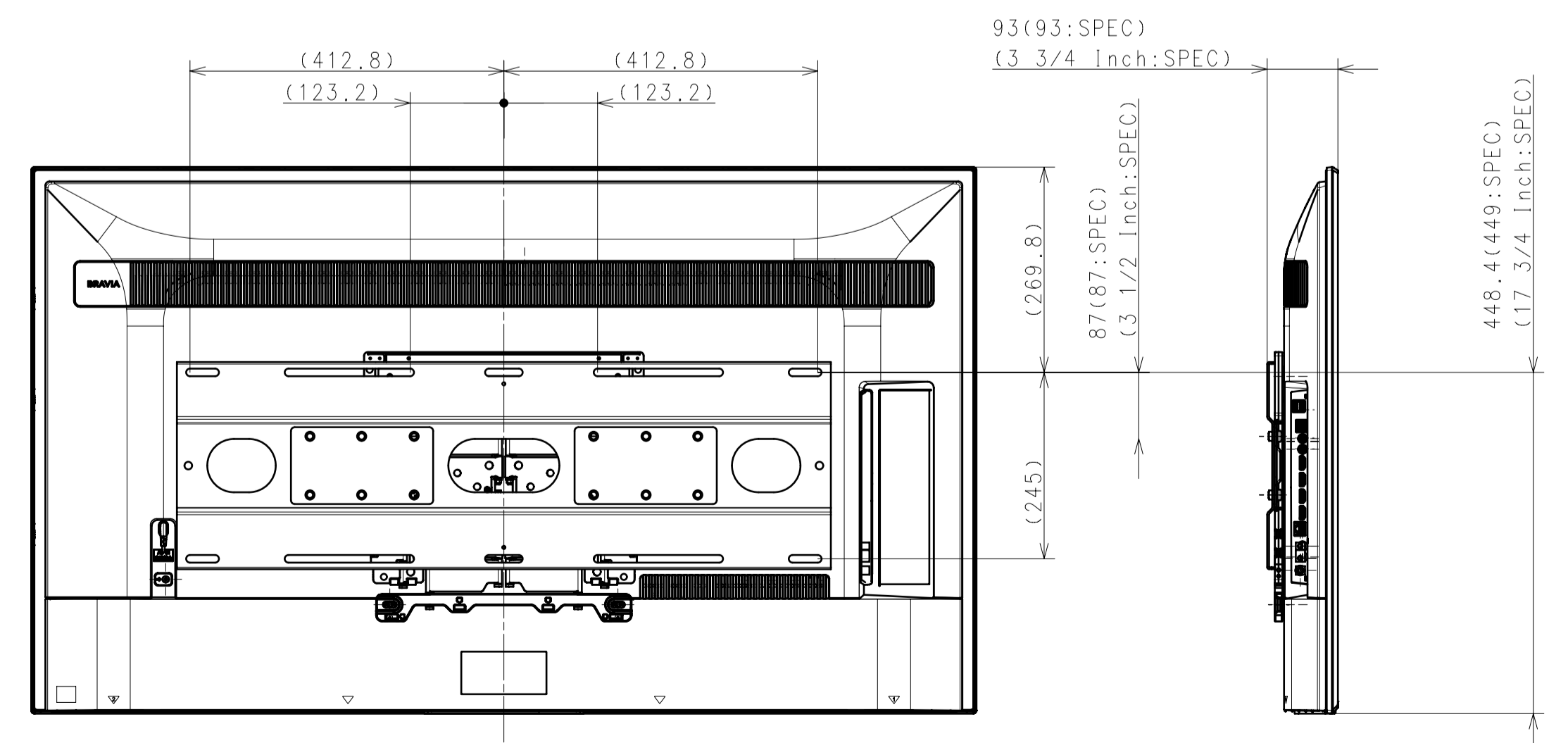
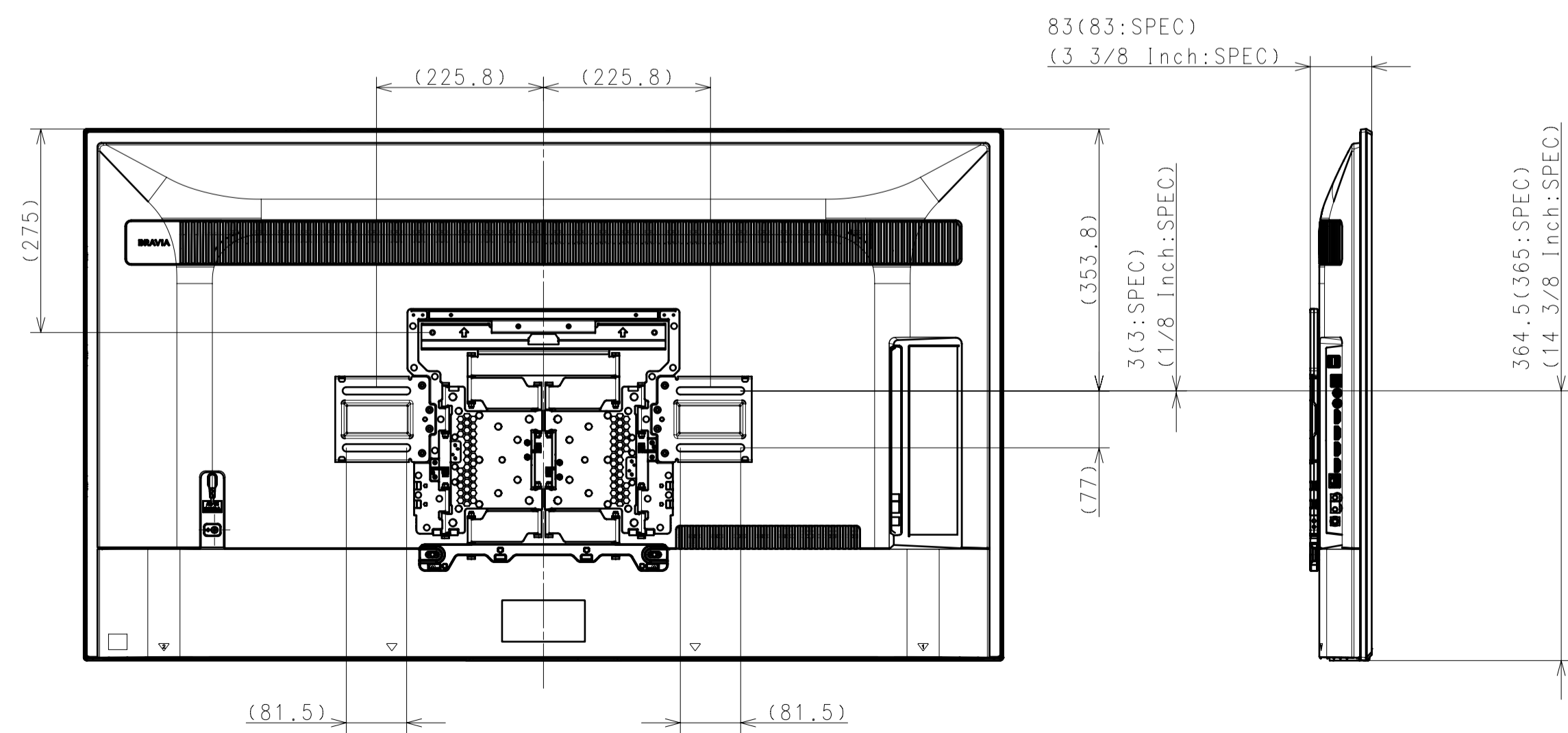
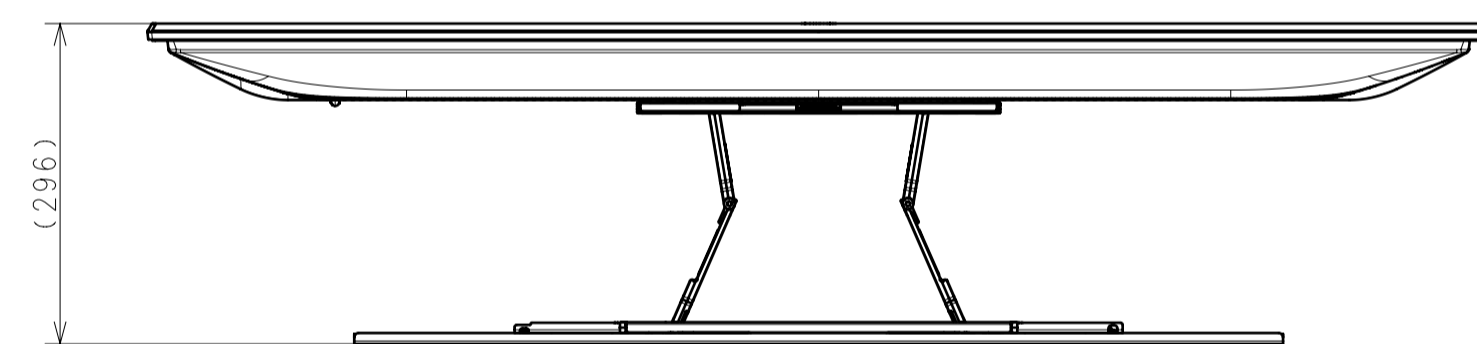
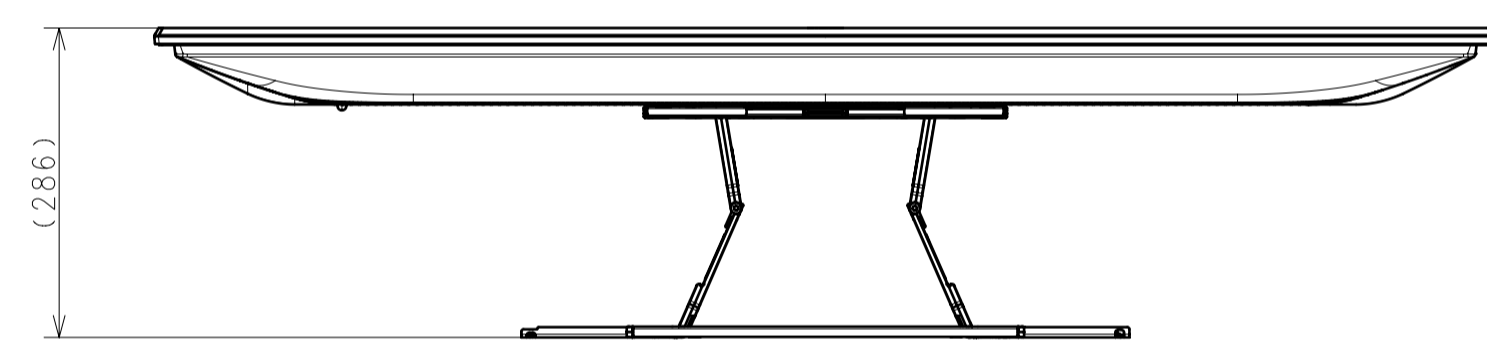
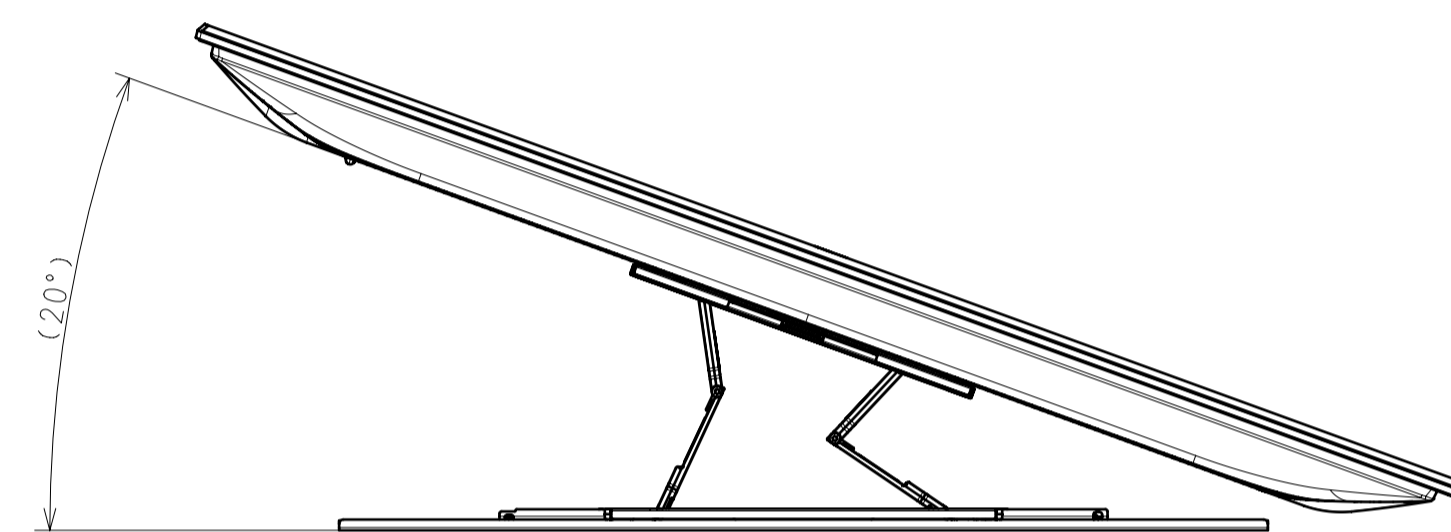
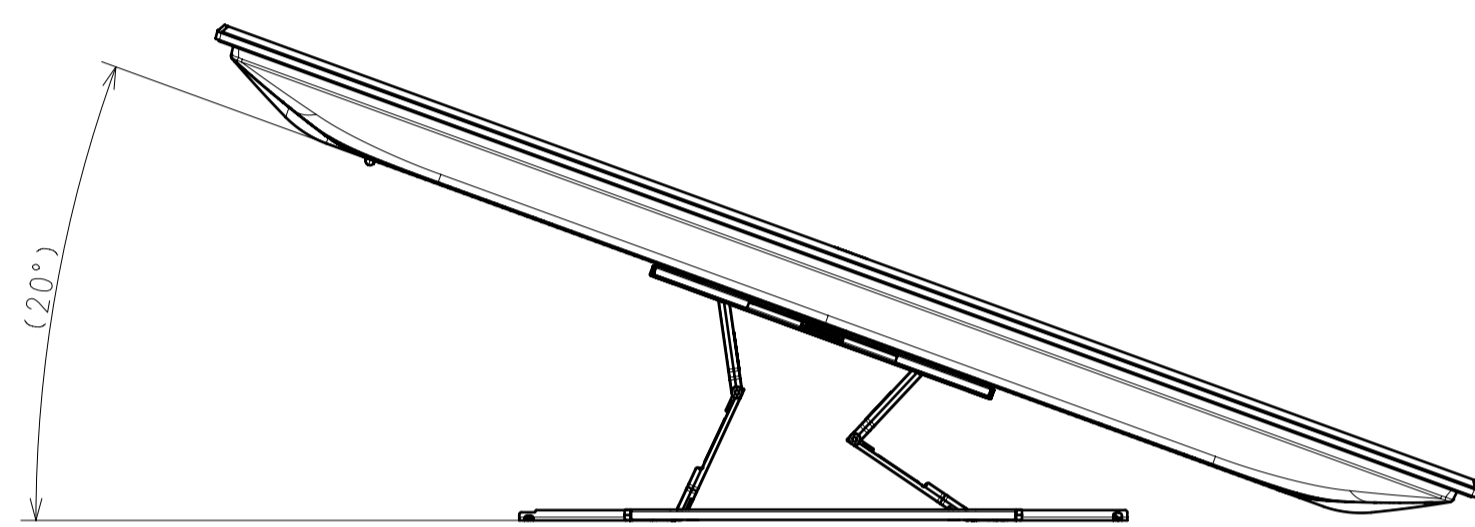
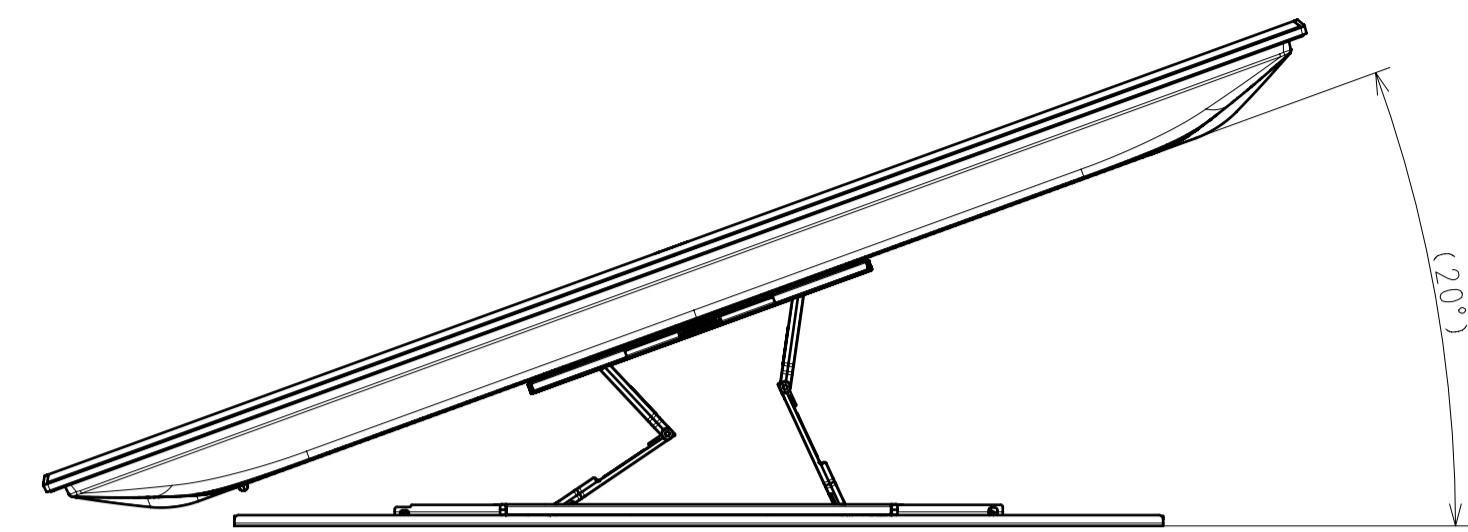
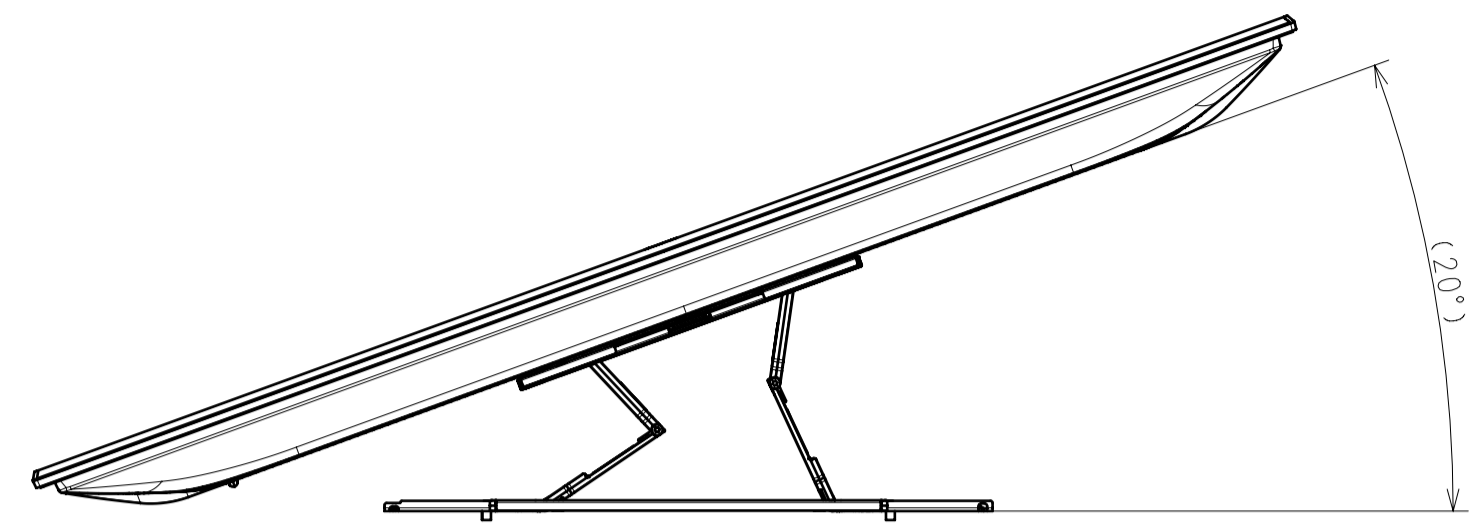


SONY STANDARD

|                         |                  |             |
|-------------------------|------------------|-------------|
| DESCRIPTION 1           | LEGAL OWNER      | SCALE       |
| 55(BZ30L) EXTERIOR VIEW | Sony Corporation | 1:5         |
| DESCRIPTION 2           | PART NO.         | SHEET/PAGES |
| 55(BZ30L) EXTERIOR VIEW |                  | 3/4         |

SU-WL 850

SU-WL 855 WITH LATERAL SHAFT BRACKET



|               |                         |             |                  |             |       |
|---------------|-------------------------|-------------|------------------|-------------|-------|
| DESCRIPTION 1 | 55(BZ30L) EXTERIOR VIEW | LEGAL OWNER | Sony Corporation | SCALE       | 1:7   |
| DESCRIPTION 2 | 55(BZ30L) EXTERIOR VIEW | PART NO.    |                  | SHEET/PAGES | 4 / 4 |