

SCREEN CONFIGURATION SUMMARY

PROJECT: WP22-07707 - FRAMEPRO 3340 VAC

SCREEN: PFIXFRAMEPRORE-00165 - 3340-FRAMEPRORE-1.78-VAC

SCREEN:

PFIXFRAMEPRORE-00165

Description: 3340-FRAMEPRORE-1.78-VAC

Description 2: Overall size 3.500x2.036mm

Screen Model: FramePro Rear Elastic

Native Aspect Ratio: 1.78 Widescreen TV (16:9)

Fabric: Vision Acoustik

Dimension Range: 3340 mm Viewing Area

OPTIONS:

Screen Finish Option: Flock Black

Horizontal profile cutting Option: Horizontal profile in 2 parts

Vertical profile cutting: Vertical profile Entire

Instructions: Adeo Screen Manual

TOTAL, EXCLUDING FREIGHT & LOCAL TAXES:

Customer:

AWE EUROPE LTD

Alexander House 3A, Blenheim Road

EPSOM

KT19 9AP

GB

Phone: [REDACTED]

Email: [REDACTED]

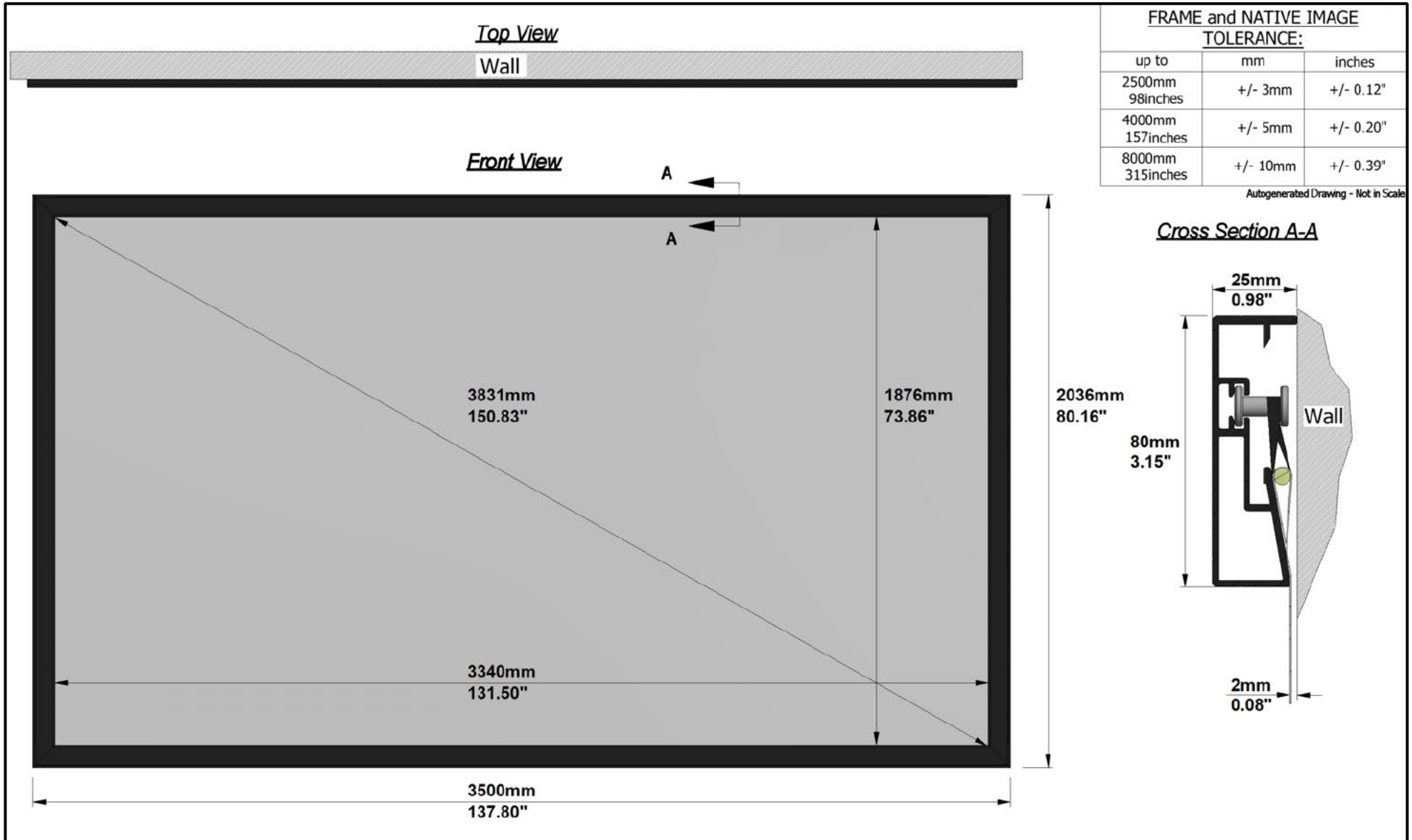
Website: www.awe-europe.com

Comments:

SCREEN CONFIGURATION SUMMARY

PROJECT: WP22-07707 - FRAMEPRO 3340 VAC

SCREEN: PFIXFRAMEPRORE-00165 - 3340-FRAMEPRORE-1.78-VAC



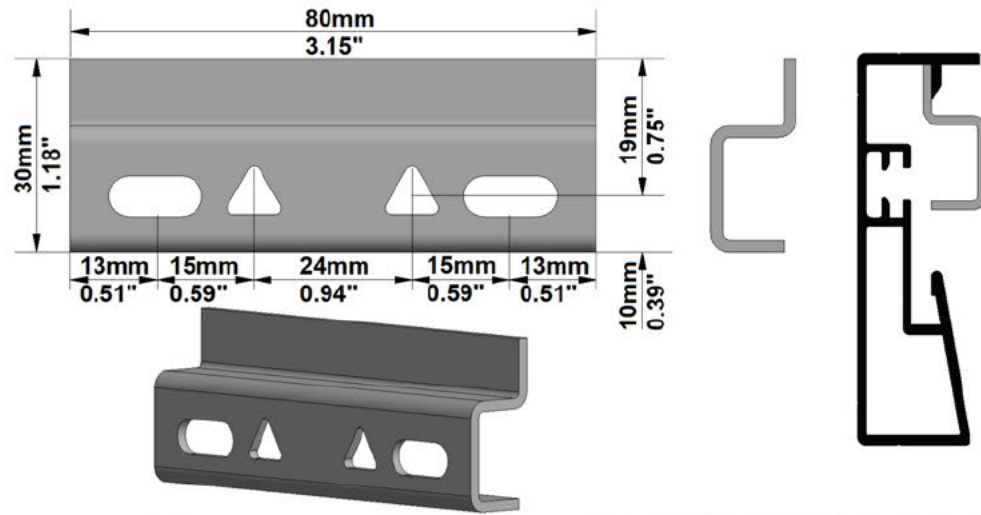
SCREEN CONFIGURATION SUMMARY

PROJECT: WP22-07707 - FRAMEPRO 3340 VAC

SCREEN: PFIFFRAMEPRORE-00165 - 3340-FRAMEPRORE-1.78-VAC

MOUNTING BRACKETS AND INSTALLATION VIEW:

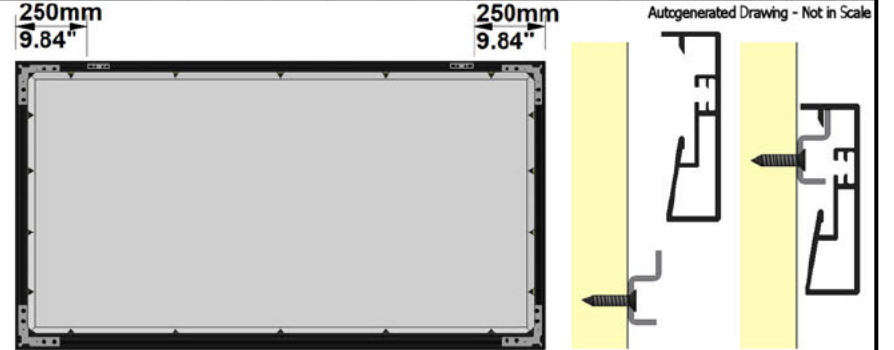
BRACKETS FOR FRAME PRO RE, RB, FB <=3000 OVERALL SCREEN



PACKAGING INFORMATION:

ESTIMATED SCREEN NET WEIGHT: 22.40Kg
49.30Lbs

| SHIPPING DIMENSIONS | | | | NUMBER OF BOXES | TOTAL SHIPPING WEIGHT |
|---------------------|--------|--------|---------------|-----------------|-----------------------|
| LENGTH | DEPTH | HEIGHT | PALLET HEIGHT | | |
| mm | 2376mm | 150mm | 180mm | 1 | kg 25.70 |
| inches | 93.54" | 5.91" | 7.09" | | lbs 56.54 |



BRACKETS FOR FRAME PRO RE, RB, FB >3000 OVERALL SCREEN AND FRAME PRO FE <=6000 OVERALL SCREEN

