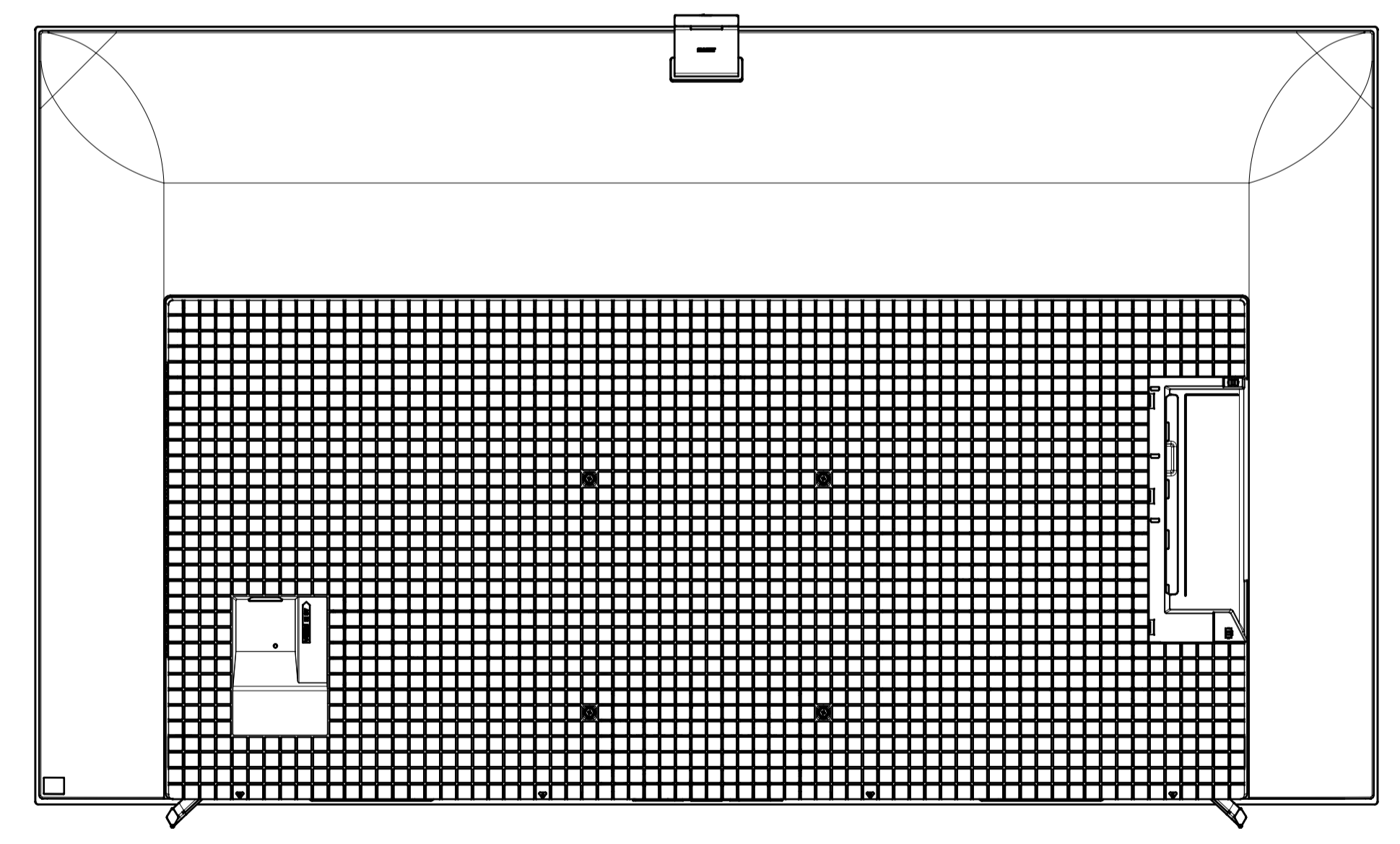
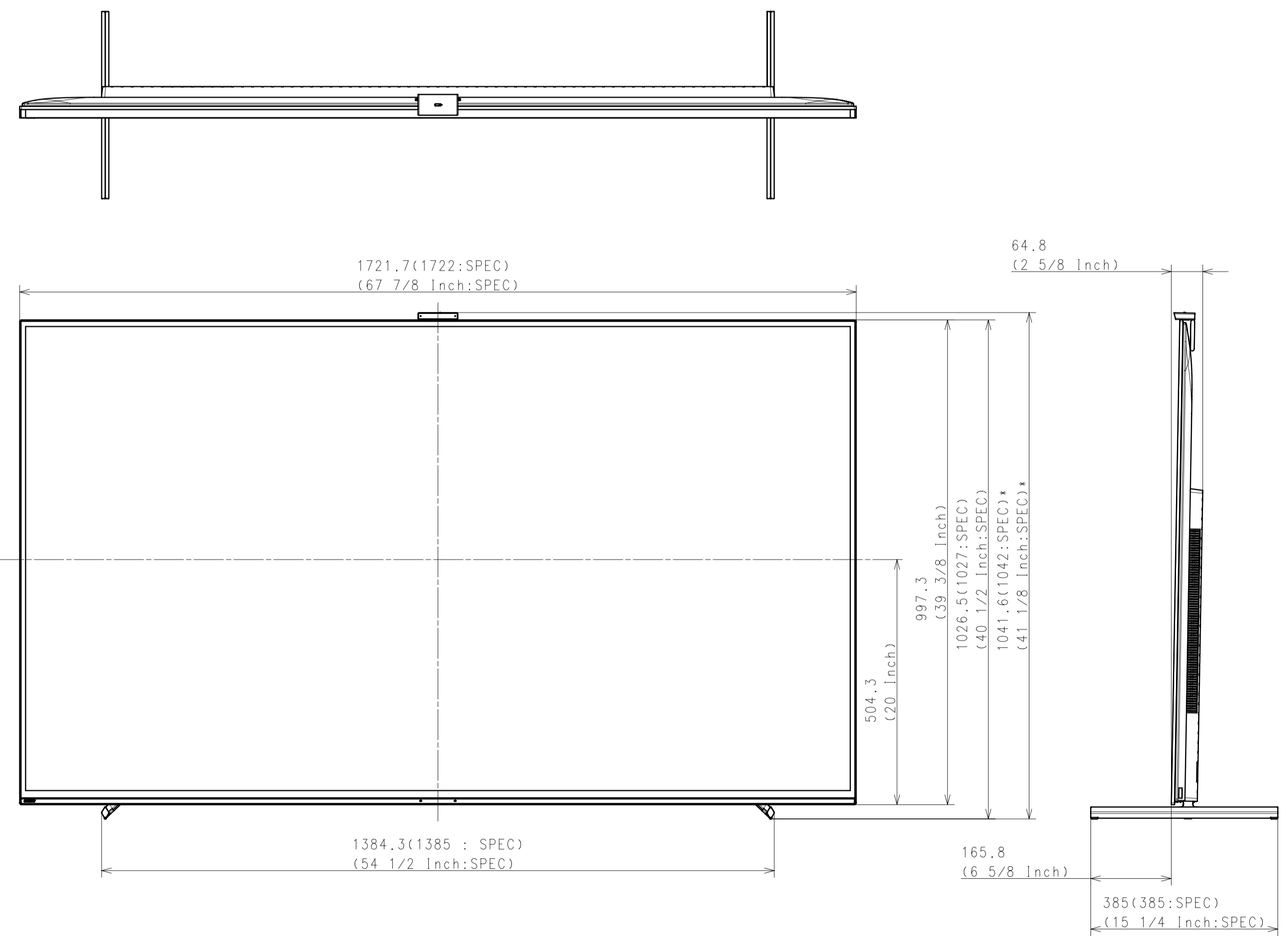


Area		JAPAN	NORTH AMERICA	LATIN AMERICA	EUROPE	GENERAL AREA	CHINA	CHINA DERIVATIVE
Model Name		XRJ-77A80L	XR-77A80L	XR-77A80L	XR-77A80L	XR-77A80L	XR-77A80L	XR-77A80EL
SV No.		SV-41319	SV-41047	SV-41095	SV-41276	SV-41122	SV-41226	SV-41227
DIMENSION	TV only (W x H x D)	172.2 x 99.8 x 5.4 (2.79) cm	1722 x 998 x 54 (27.9) mm / 67 7/8 x 39 3/8 x 2 1/4 (1 1/8) inch	1722 x 998 x 54 (27.9) mm	Approx. 172.2 x 99.8 x 5.4 (2.79) cm	Approx. 1722 x 998 x 54 (27.9) mm	Approx. 1722 x 998 x 54 (27.9) mm	Approx. 1722 x 998 x 54 (27.9) mm
	TV only with camera (W x H x D)	-	-	-	-	-	-	Approx. 1722 x 1013 x 66 (42.8) mm
	TV with Stand (Standard position) (W x H x D)	172.2 x 102.7 x 38.5 cm	1722 x 1024 x 389 mm / 67 7/8 x 40 3/8 x 15 3/8 inch	1722 x 1024 x 389 mm	Approx. 172.2 x 102.7 x 38.5 cm	Approx. 1722 x 1027 x 385 mm	Approx. 1722 x 1027 x 385 mm	Approx. 1722 x 1042 x 385 mm
	TV with Stand (Narrow position) (W x H x D)	172.2 x 102.7 x 38.5 cm	1728 x 1024 x 389 mm / 68 1/8 x 40 3/8 x 15 3/8 inch	1728 x 1024 x 389 mm	Approx. 172.2 x 102.7 x 38.5 cm	Approx. 1722 x 1027 x 385 mm	Approx. 1722 x 1027 x 385 mm	Approx. 1722 x 1042 x 385 mm
	TV with Stand (Soundbar position) (W x H x D)	172.2 x 106.9 x 38.5 cm	1728 x 1066 x 389 mm / 68 1/8 x 42 x 15 3/8 inch	1728 x 1066 x 389 mm	Approx. 172.2 x 106.9 x 38.5 cm	Approx. 1722 x 1069 x 385 mm	Approx. 1722 x 1069 x 385 mm	Approx. 1722 x 1084 x 385 mm
	TV with Stand (Front position style) (W x H x D)	-	-	-	-	-	-	-
	TV with Stand (Back position style) (W x H x D)	-	-	-	-	-	-	-
	TV with Floor Stand (W x H x D)	-	-	-	-	-	-	-
	Stand Width (Standard position)	138.5 cm	1049 mm / 41 3/8 inch	1049 mm	Approx. 138.5 cm	Approx. 1385 mm	Approx. 1385 mm	Approx. 1385 mm
	Stand Width (Narrow position)	59.5 cm	619 mm / 24 3/8 inch	619 mm	Approx. 59.5 cm	Approx. 595 mm	Approx. 595 mm	Approx. 595 mm
	Stand Width (Soundbar position)	138.5 cm	1049 mm / 41 3/8 inch	1049 mm	Approx. 138.5 cm	Approx. 1385 mm	Approx. 1385 mm	Approx. 1385 mm
	Stand Width (Front position style)	-	-	-	-	-	-	-
	Stand Width (Back position style)	-	-	-	-	-	-	-
	Floor Stand Width	-	-	-	-	-	-	-
	VESA Hole Pitch	30.0 x 30.0 cm	300 x 300 mm / 11 7/8 x 11 7/8 inch	300 x 300 mm	30.0 x 30.0 cm	300 x 300 mm	300 x 300 mm	300 x 300 mm
WEIGHT	TV Only	34.8 kg	34.8 kg / 76.7 lb	34.8 kg	Approx. 34.8 kg	Approx. 34.8 kg	Approx. 34.8 kg	Approx. 34.8 kg
	TV with Stand (Standard position)	36 kg	37 kg / 81.5 lb	37 kg	Approx. 36 kg	Approx. 36 kg	Approx. 36 kg	Approx. 36.1 kg
	TV with Stand (Narrow position)	36 kg	37 kg / 81.5 lb	37 kg	Approx. 36 kg	Approx. 36 kg	Approx. 36 kg	Approx. 36.1 kg
	TV with Stand (Soundbar position)	36 kg	37 kg / 81.5 lb	37 kg	Approx. 36 kg	Approx. 36 kg	Approx. 36 kg	Approx. 36.1 kg
	TV with Stand (Front/Back position style)	-	-	-	-	-	-	-
	TV with Floor Stand	-	-	-	-	-	-	-
	Floor Stand weight (Supply)	-	-	-	-	-	-	-
	W-M't Br. Weight (Supply)	-	-	-	-	-	-	-
Remarks		3way	3way	3way	3way	3way	3way	3way

WITH STAND
STANDARD POSITION
FOR ALL EXCEPT LA/NA



Remark:
MARKING WITH **
THE CAMERA IS BUNDLED FOR A80EL ONLY AND IS SOLD SEPARATELY IN OTHER REGIONS.
カメラはA80ELのみ同梱されており、他のモデルは別売のりになります

Purchase recycled resins and wire rods only from the business partners that Sony approves as Green Partners.
再生樹脂・銅線材はグリーンパートナー認定者からの調達を促す。

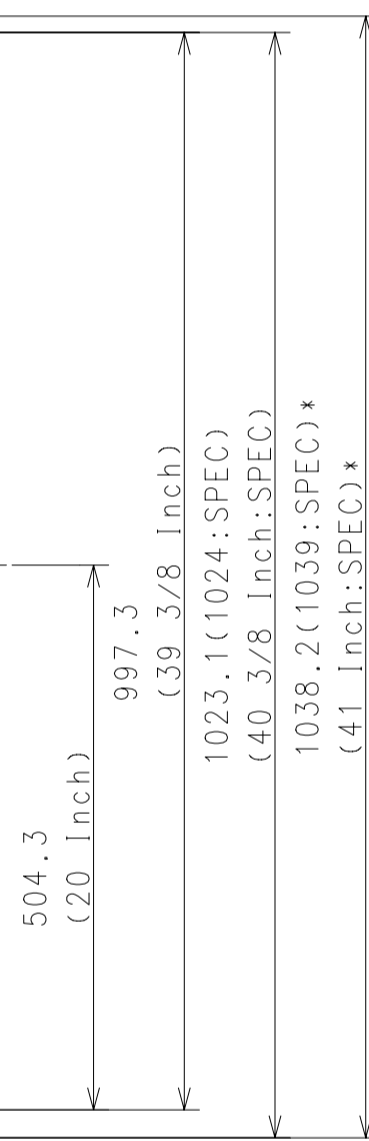
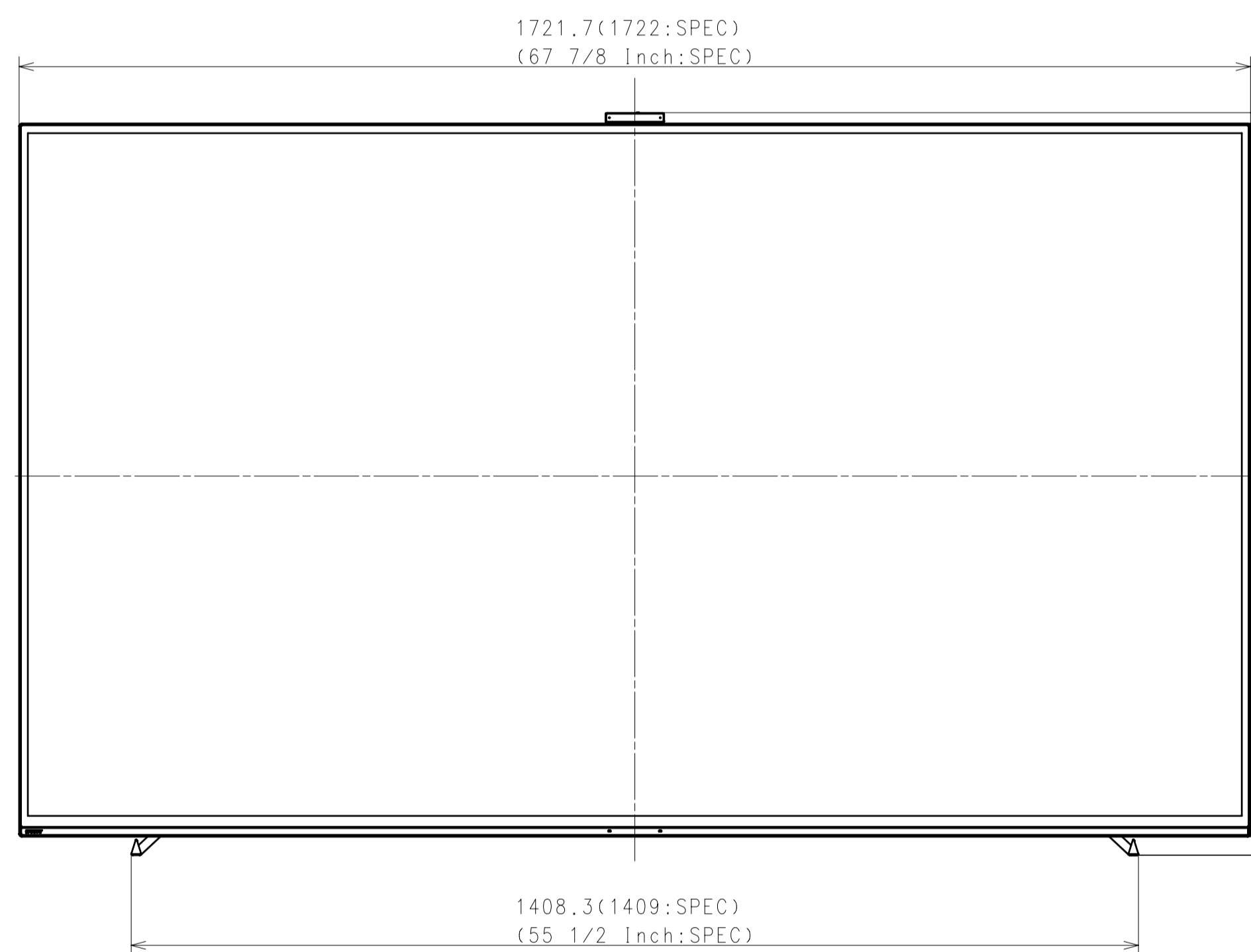
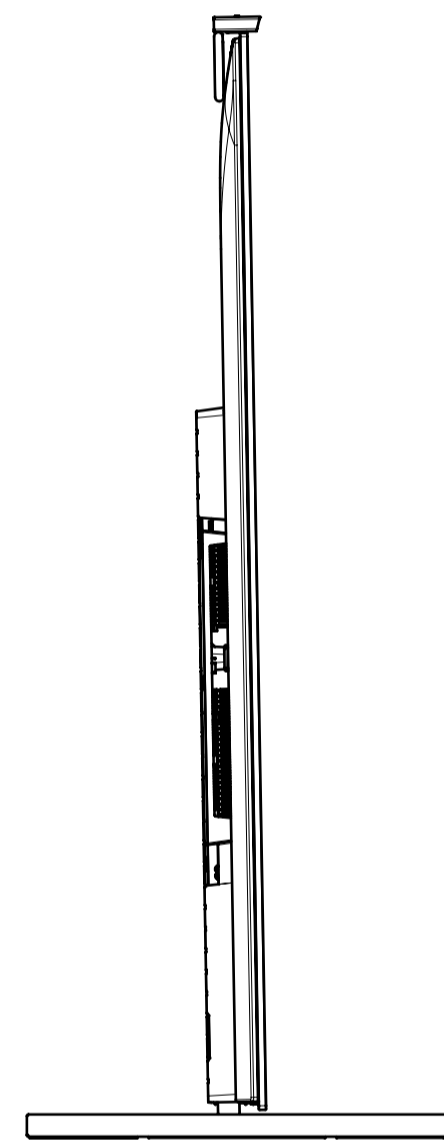
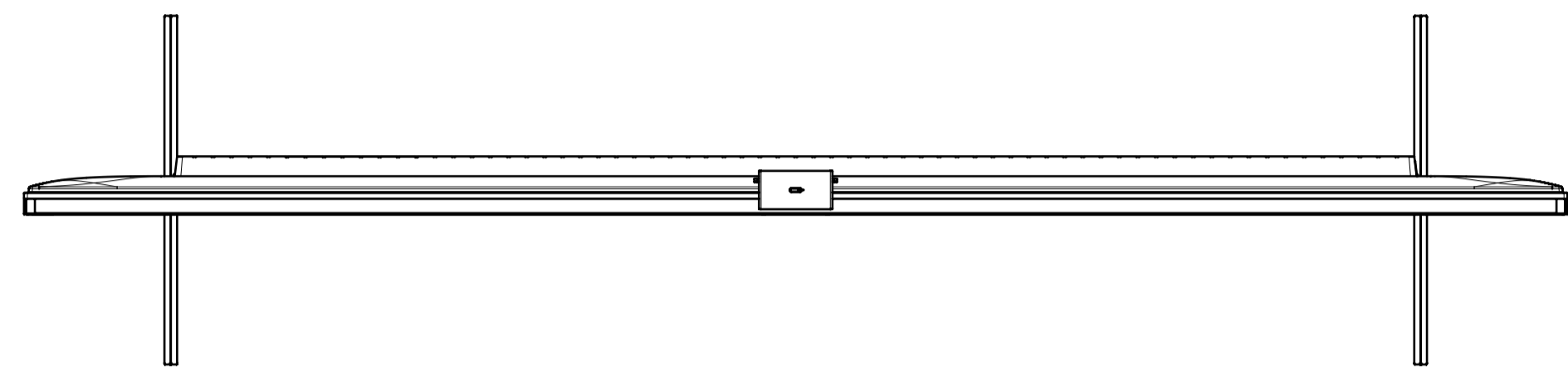
△	REVISION	DATE	REVISION	DATE	REVISION	DATE
△	1	2022.11.08	1	2022.11.08	1	2022.11.08

GENERAL TOLERANCE	SYS-1	DATE OF ISSUE	2022.11.08
4<LS	1500-15	DOCUMENT TYPE	PART
16<LS	6000-10	PART	DRAWING
40<LS	25000-5	TOLERANCING	JIS B 0013 (ISO 0013)
250<LS	40000-5		
400<LS	100000-8		
1000<LS	200000-12		
2000<LS	400000-17		

RESPONSIBLE DEPARTMENT	77 (A80L) EXTERIOR VIEW
PLANNED BY	77 (A80L) EXTERIOR VIEW
DESIGNED BY	
CHECKED BY	
APPROVED BY	
SCALE	1:1
TENTATIVE MODEL	
SIZE	A1
UNIT	mm
PART NO.	
SUFFIX	
REV. NO.	1/7
SHEET/PAGES	

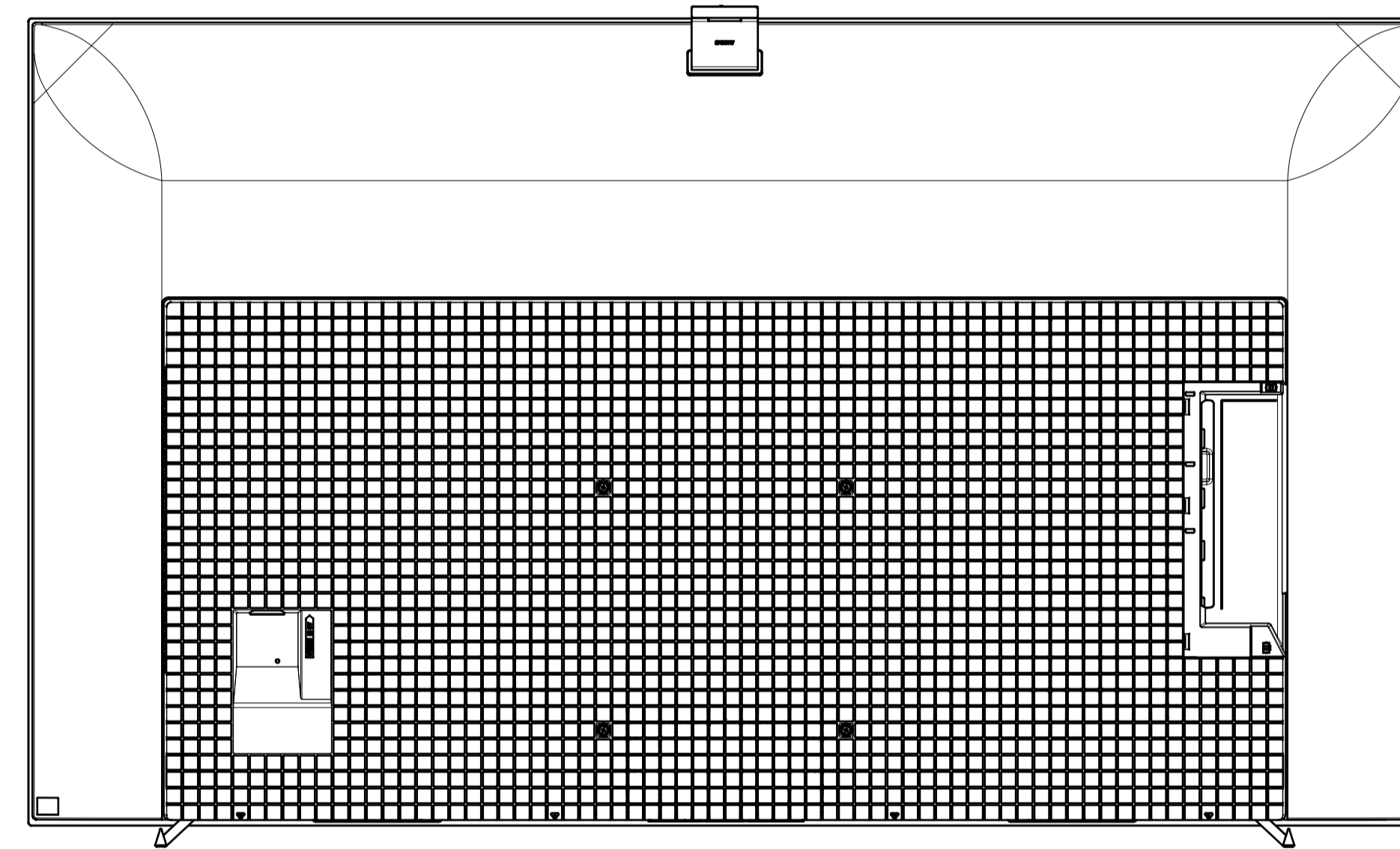
WITH STAND

STANDARD POSITION
FOR LA/NA ONLY



64.8
(2 5/8 Inch)

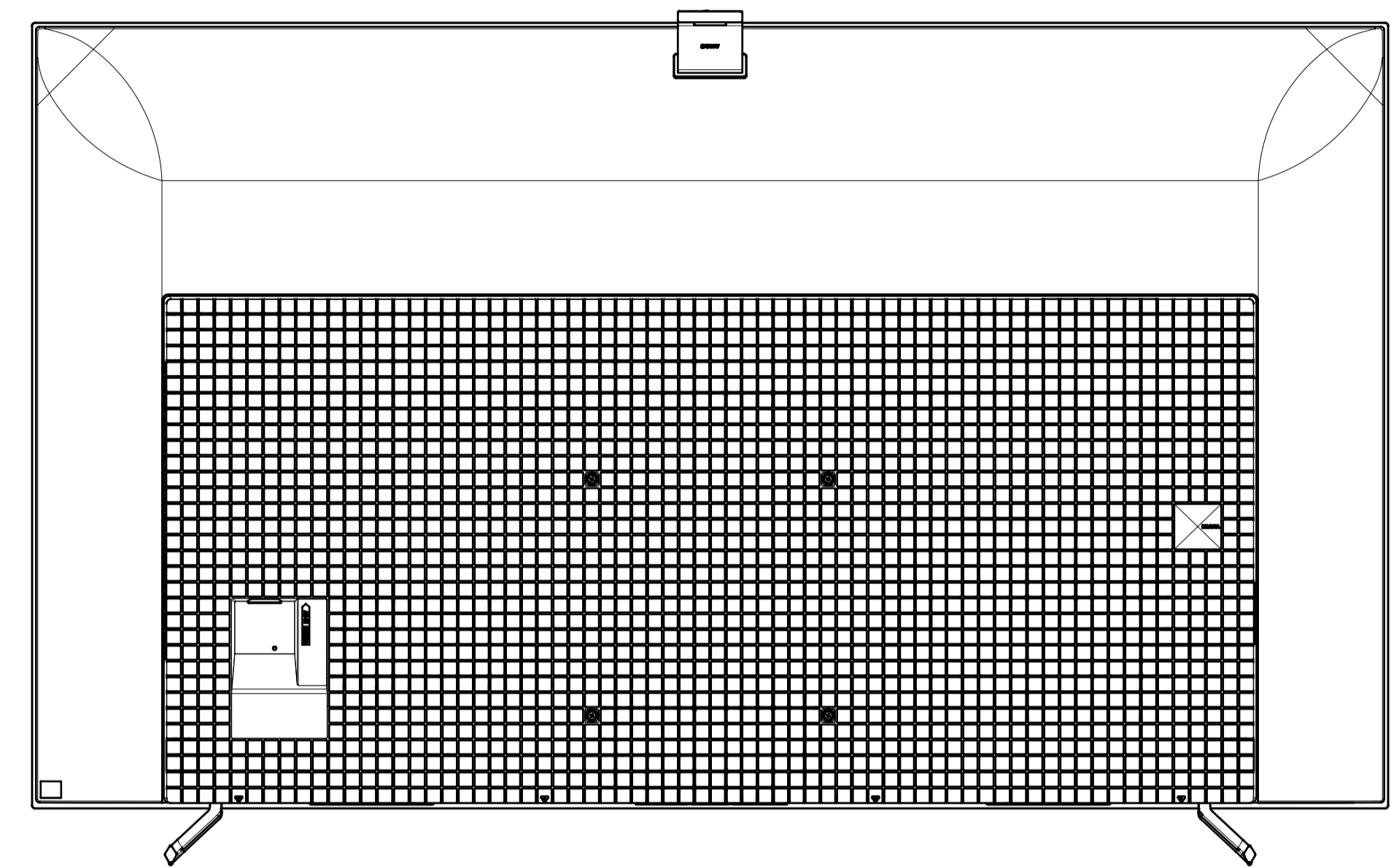
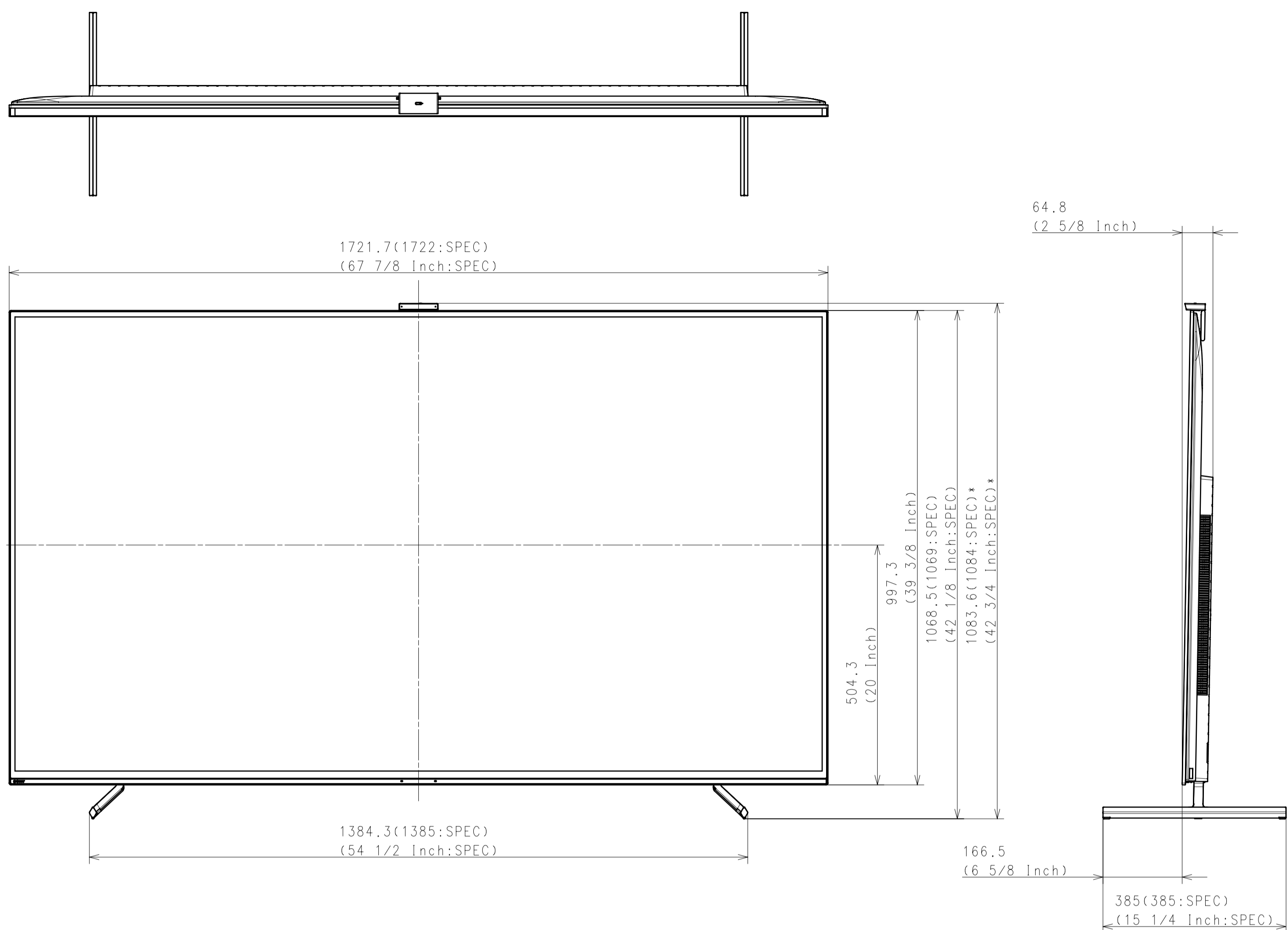
167.4
(6 5/8 Inch)
389 (389:SPEC)
(15 3/8 Inch:SPEC)



DESCRIPTION 1	LEGAL OWNER	SCALE
77 (A80L) EXTERIOR VIEW	Sony Corporation	1:7
DESCRIPTION 2	PART NO.	SHEET/PAGES
77 (A80L) EXTERIOR VIEW		2 / 7

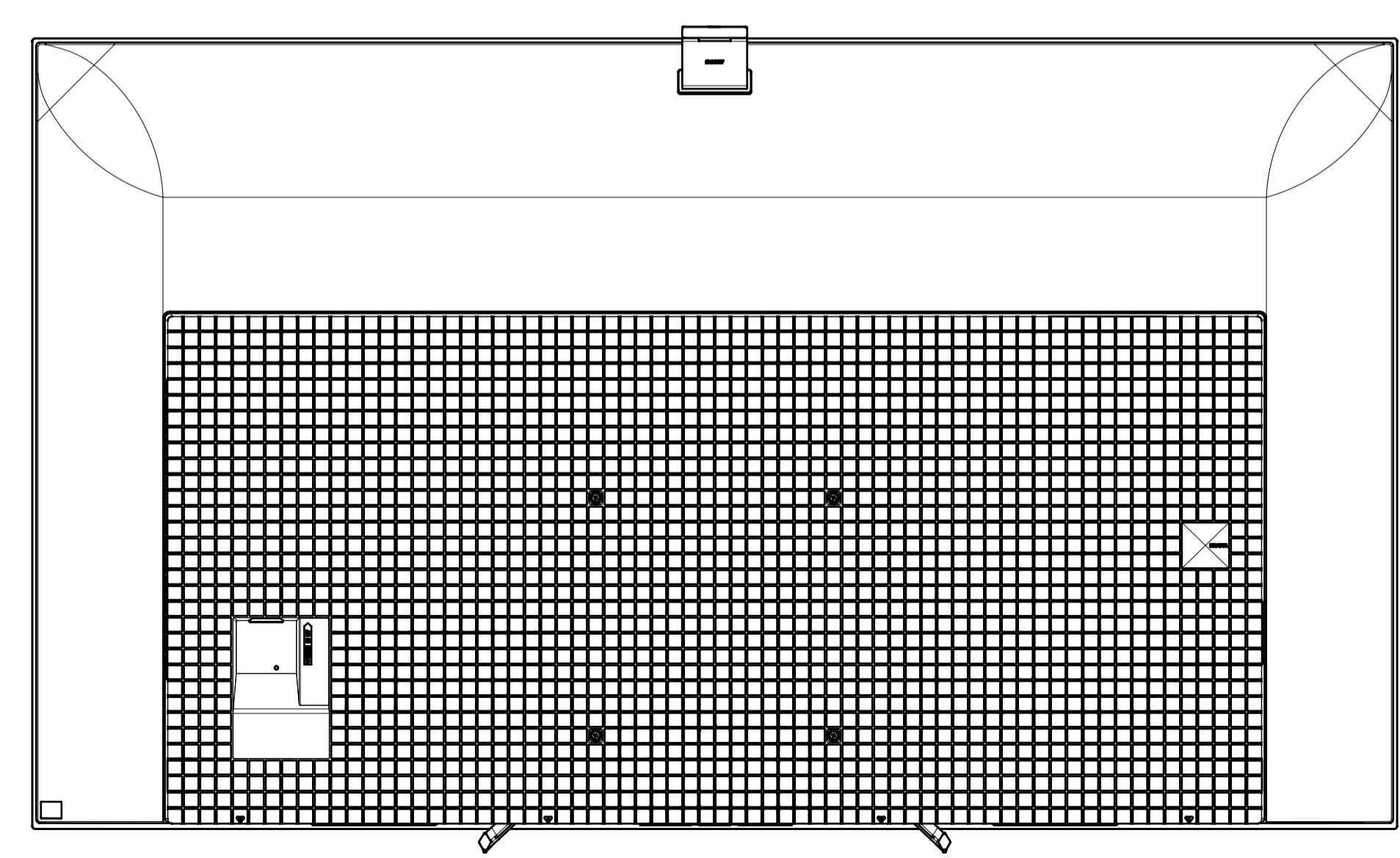
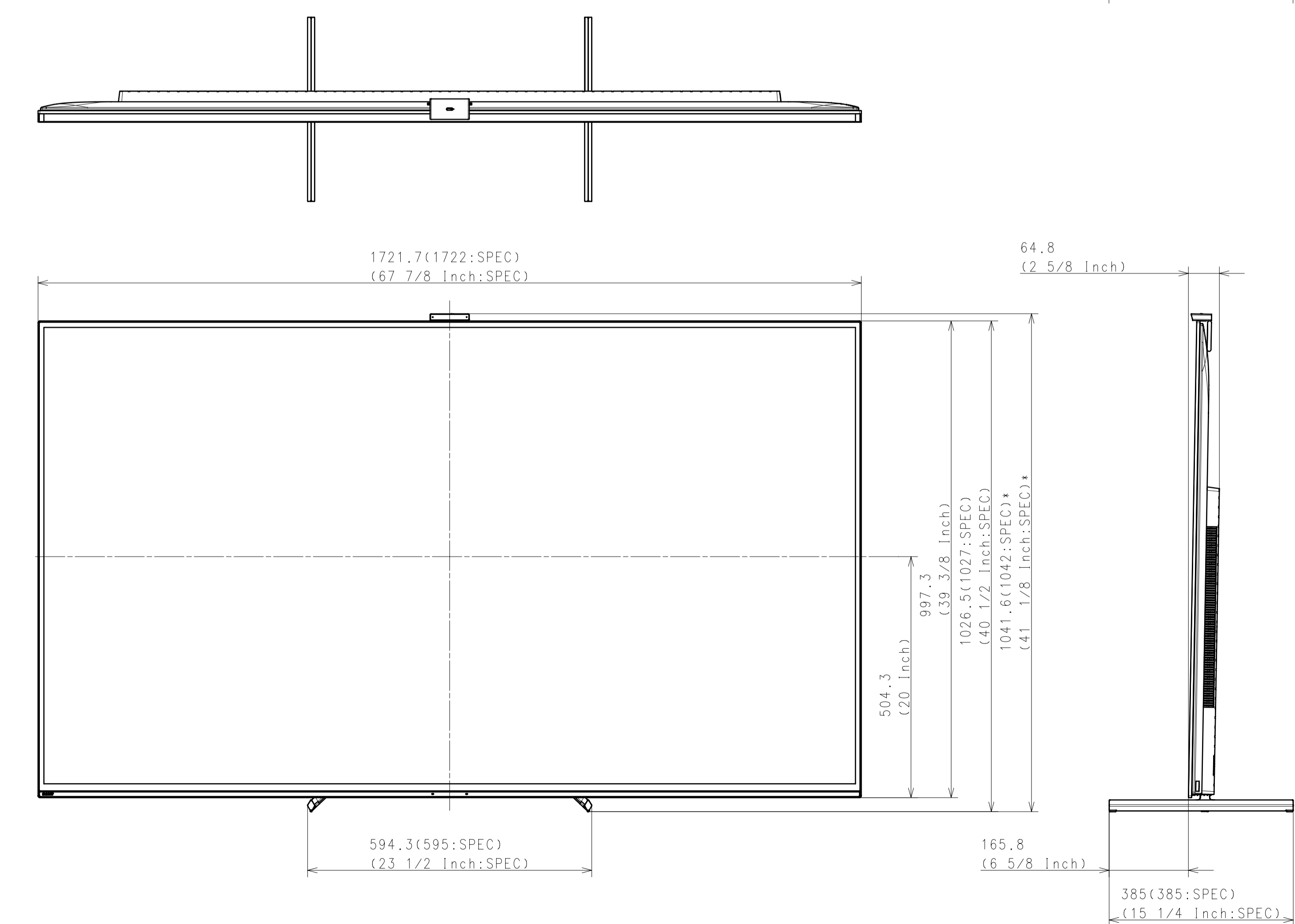
WITH STAND

SOUND BAR POSITION FOR ALL EXCEPT LA/NA



WITH STAND

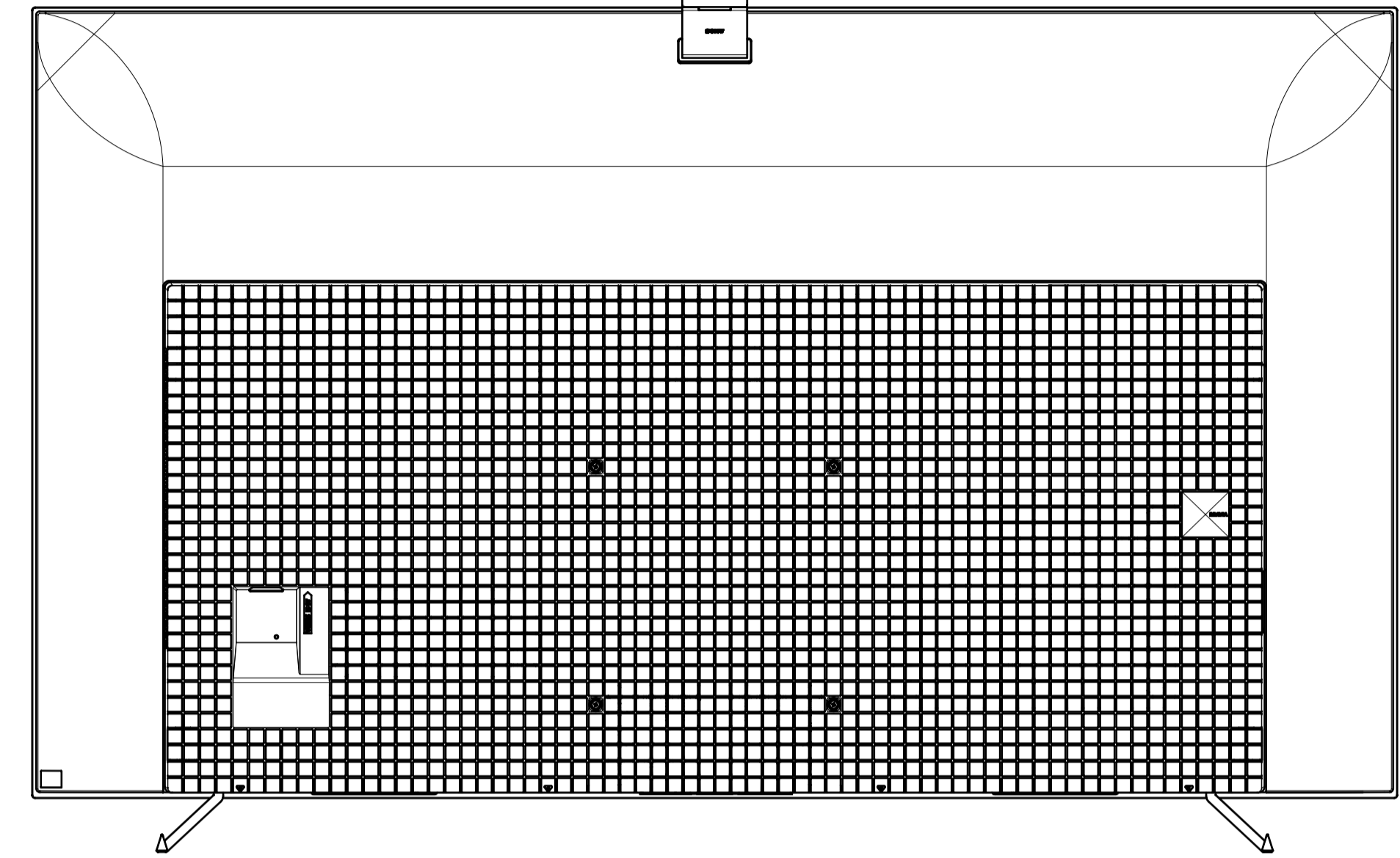
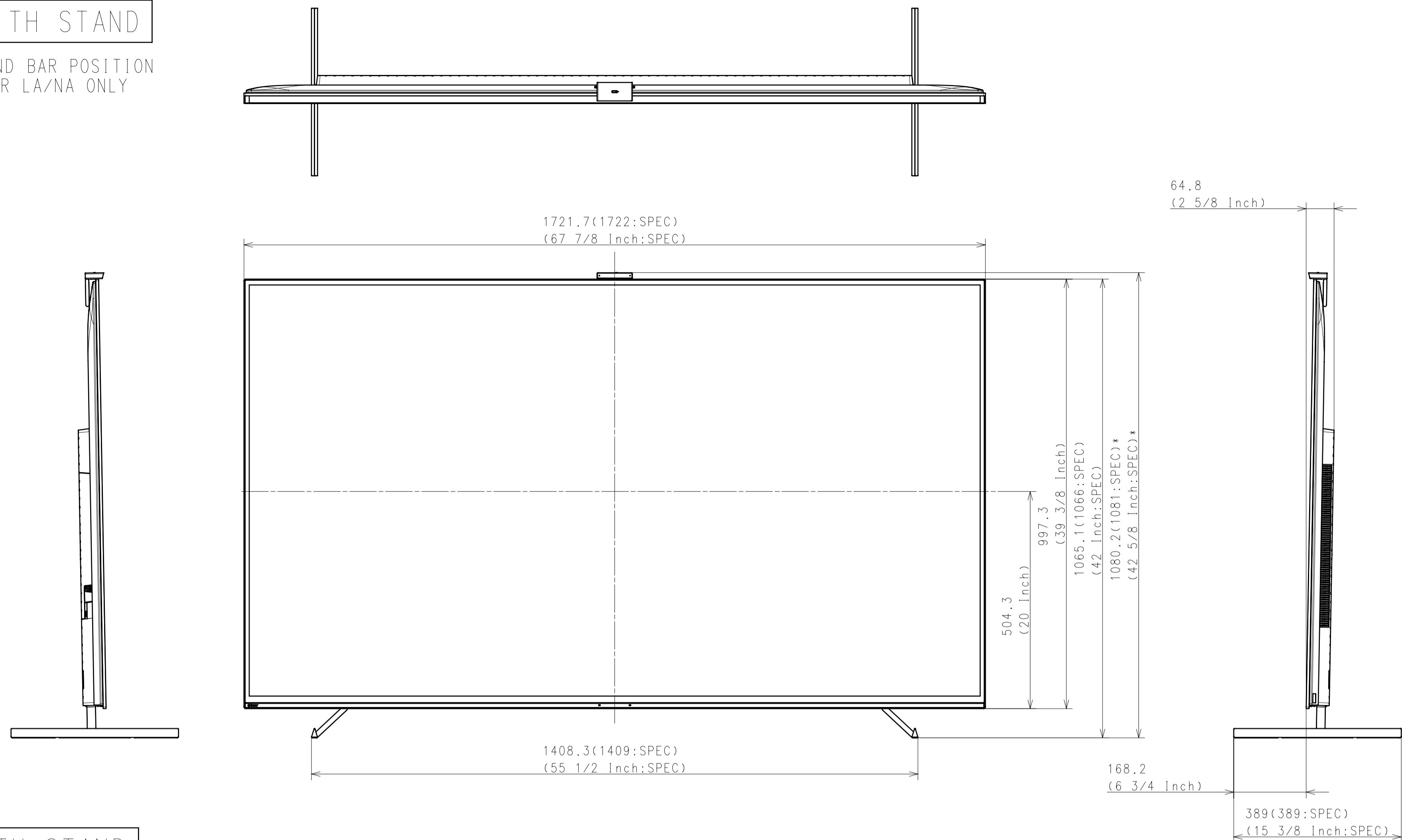
NARROW POSITION FOR ALL EXCEPT LA/NA



DESCRIPTION:	LEGAL OWNER:	SCALE:
77 (A80L) EXTERIOR VIEW	Sony Corporation	1:7
DESCRIPTION:	PART NO.:	SHEET/PAGES:
77 (A80L) EXTERIOR VIEW		3 / 7

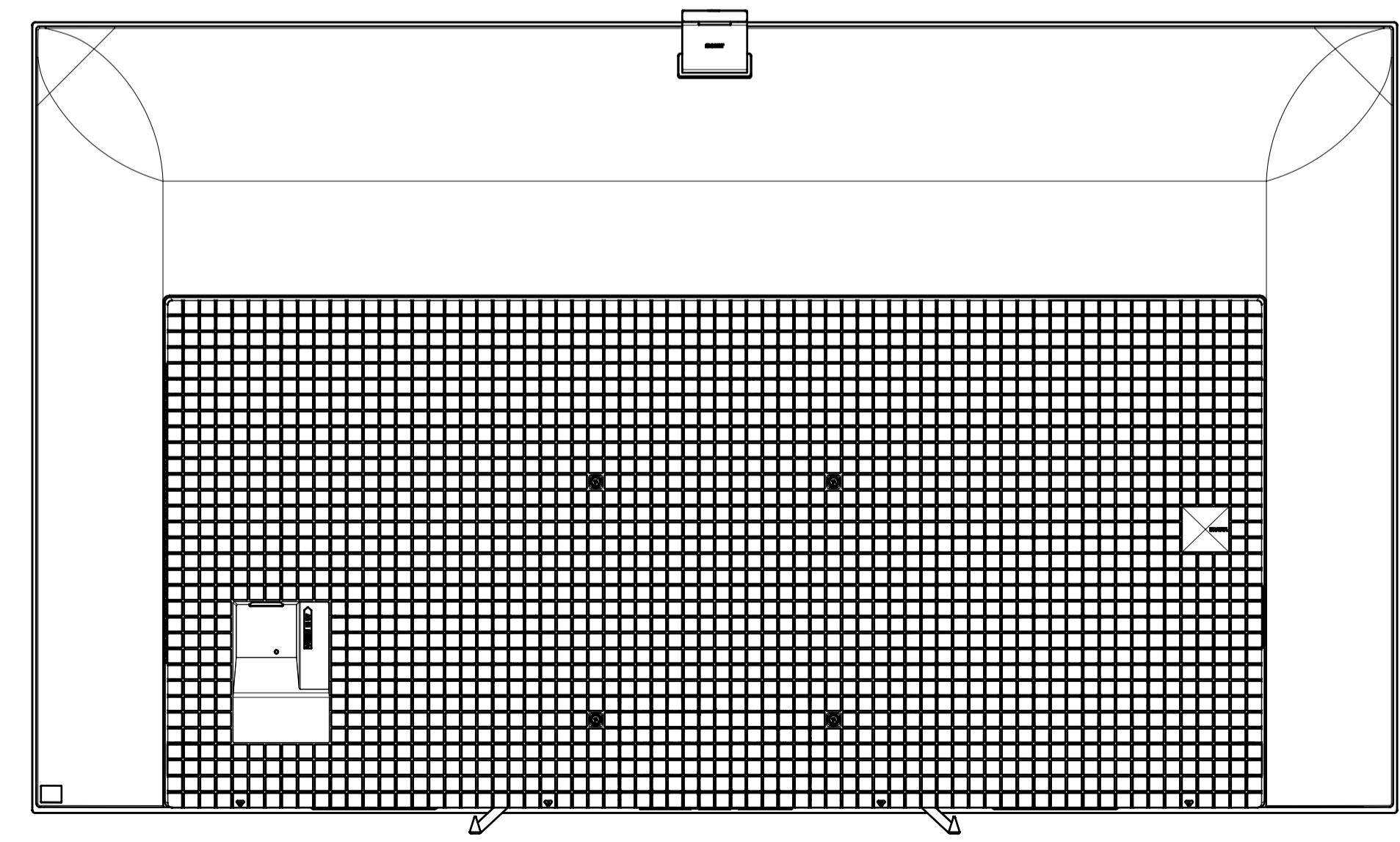
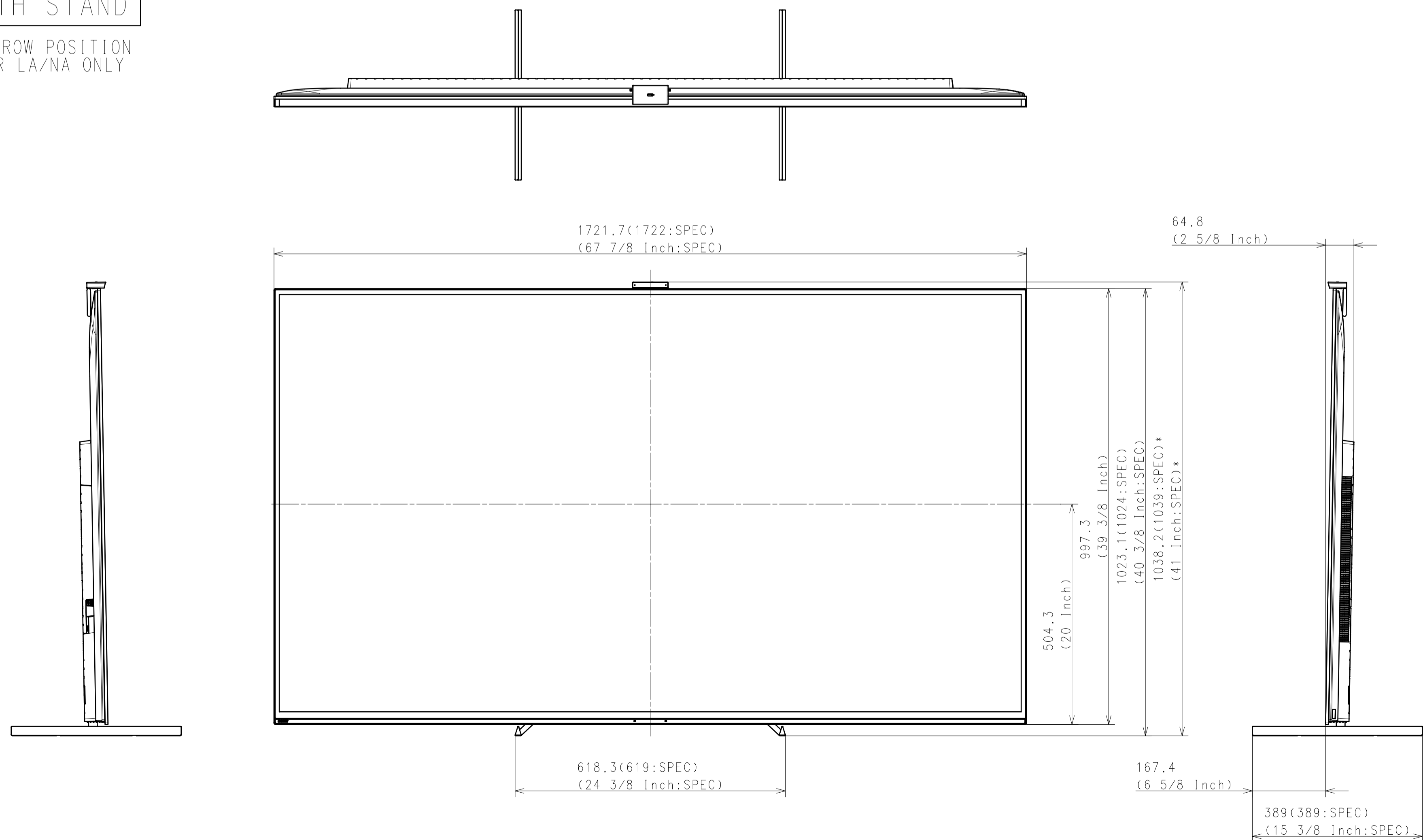
WITH STAND

SOUND BAR POSITION
FOR LA/NA ONLY



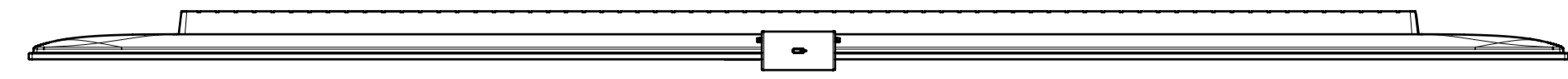
WITH STAND

NARROW POSITION
FOR LA/NA ONLY



DESCRIPTION/ITEM	LEGAL OWNER	SCALE
77 (A80L) EXTERIOR VIEW	Sony Corporation	1:7
DESCRIPTION/ITEM	PART NO.	SHEET/PAGES
77 (A80L) EXTERIOR VIEW		4 / 7

WITHOUT STAND



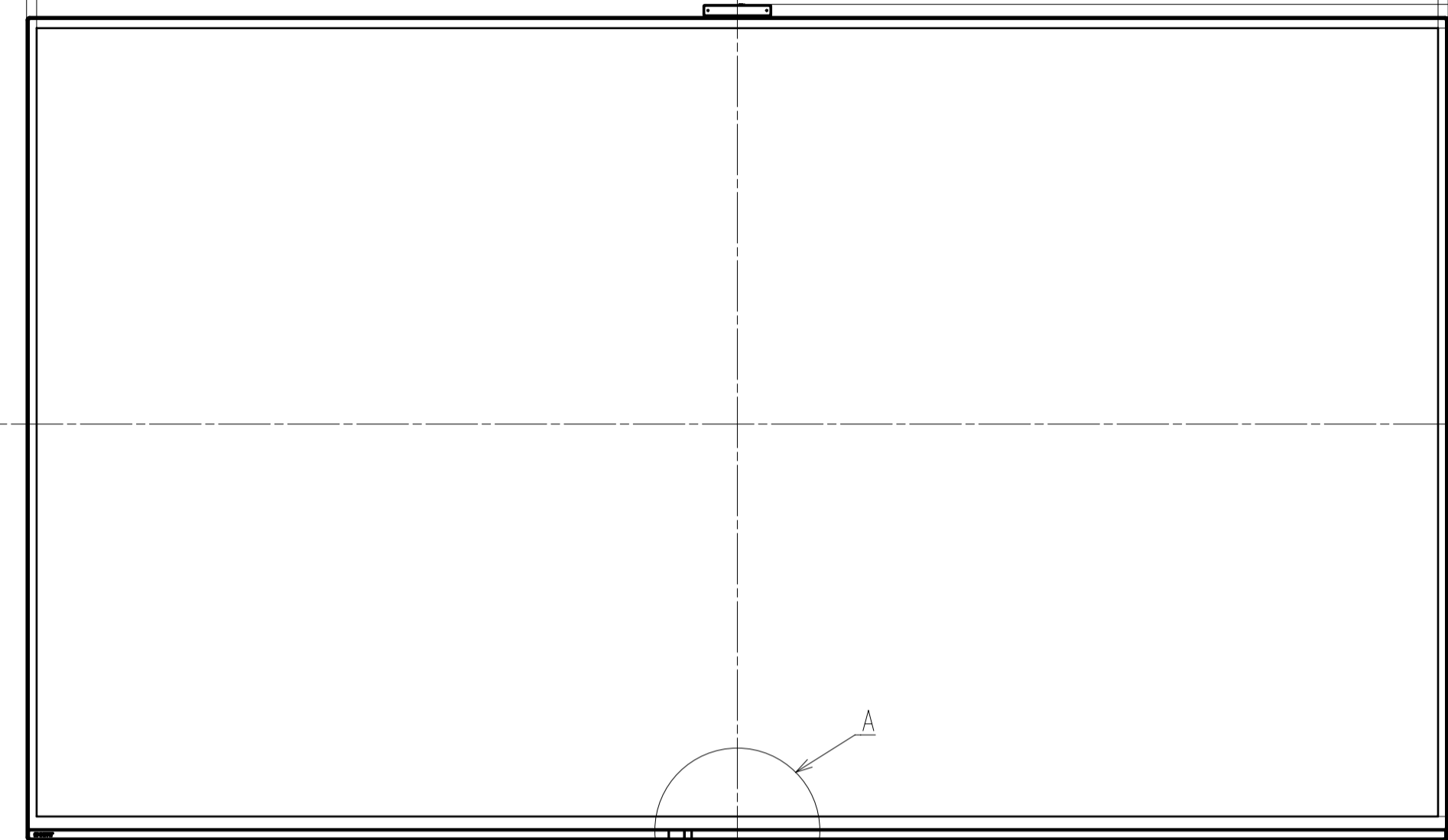
1721.7(1722:SPEC)
(67 7/8 Inch:SPEC)

1697.3
(66 7/8 Inch)

65.4(66:SPEC)*
(2 5/8 Inch:SPEC)*

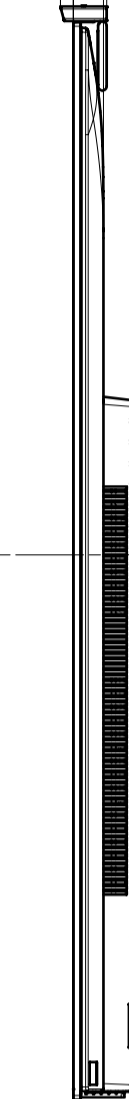
42.8(43:SPEC)*
(1 3/4 Inch:SPEC)*

27.9(28:SPEC)
(1 1/8 Inch:SPEC)
53.5(54:SPEC)
(2 1/4 Inch:SPEC)



504.3
(20 Inch)

954.7
(37 5/8 Inch)
997.3(998:SPEC)
39 3/8 Inch:SPEC
1012.5(1013:SPEC)*
(40 Inch:SPEC)*



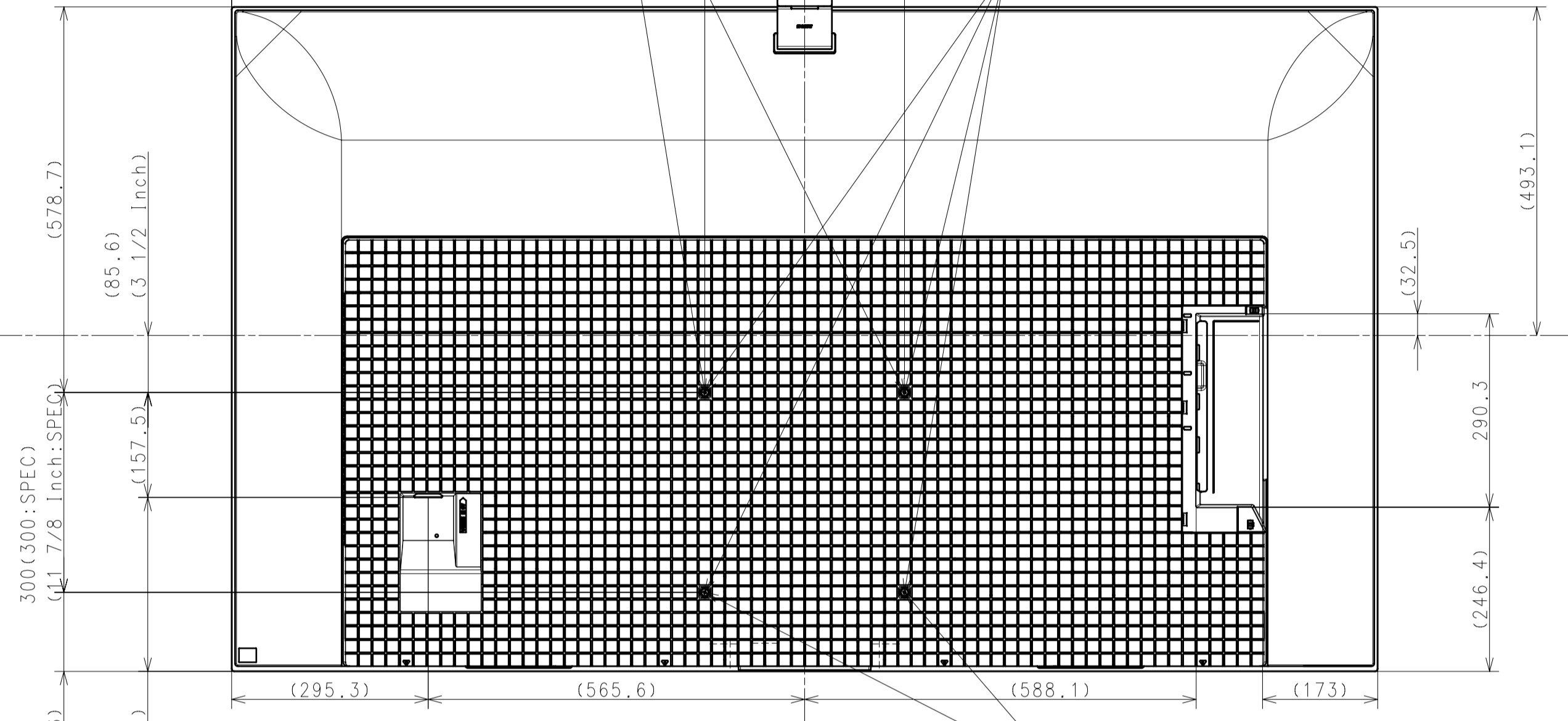
M6 HOLES FOR SECURING HARDWARE
(ROPE OR CHAIN)

(710.8)

(860.8)

(300)(300:SPEC)
(11 7/8 Inch:SPEC)

M6 HOLES FOR SECURING WALL MOUNT BRACKET
*REFER TO INSTRUCTION MANUAL
FOR SCREW LENGTH INFORMATION



300(300:SPEC)
(11 7/8 Inch:SPEC)

(578.7)

(85.6)
(3 1/2 Inch)

(157.5)

(295.3)

(565.6)

(588.1)

(173)

(246.4)

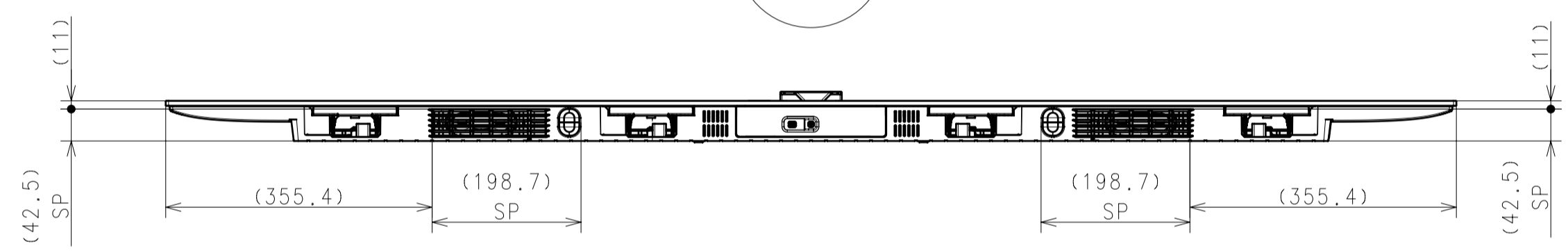
(290.3)

(32.5)

(493.1)

M6 HOLES FOR SECURING HARDWARE
(BELT)

FOR CHINA DERI



(42.5)
SP

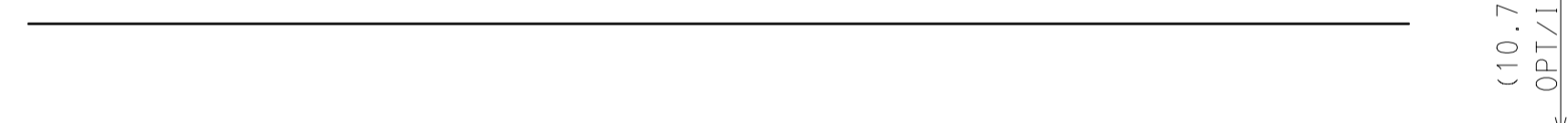
(355.4)

(198.7)
SP

(198.7)
SP

(355.4)

(42.5)
SP



(10.7)
OPT/IR

(777.9)
FROM TV OUTLINE

(18.8)
IR

(8.9)
OPT

A
1:1

(447.5)

(105.3)

(308.1)

(349.3)

(107.8)

(3.6)

FOR EUROPE

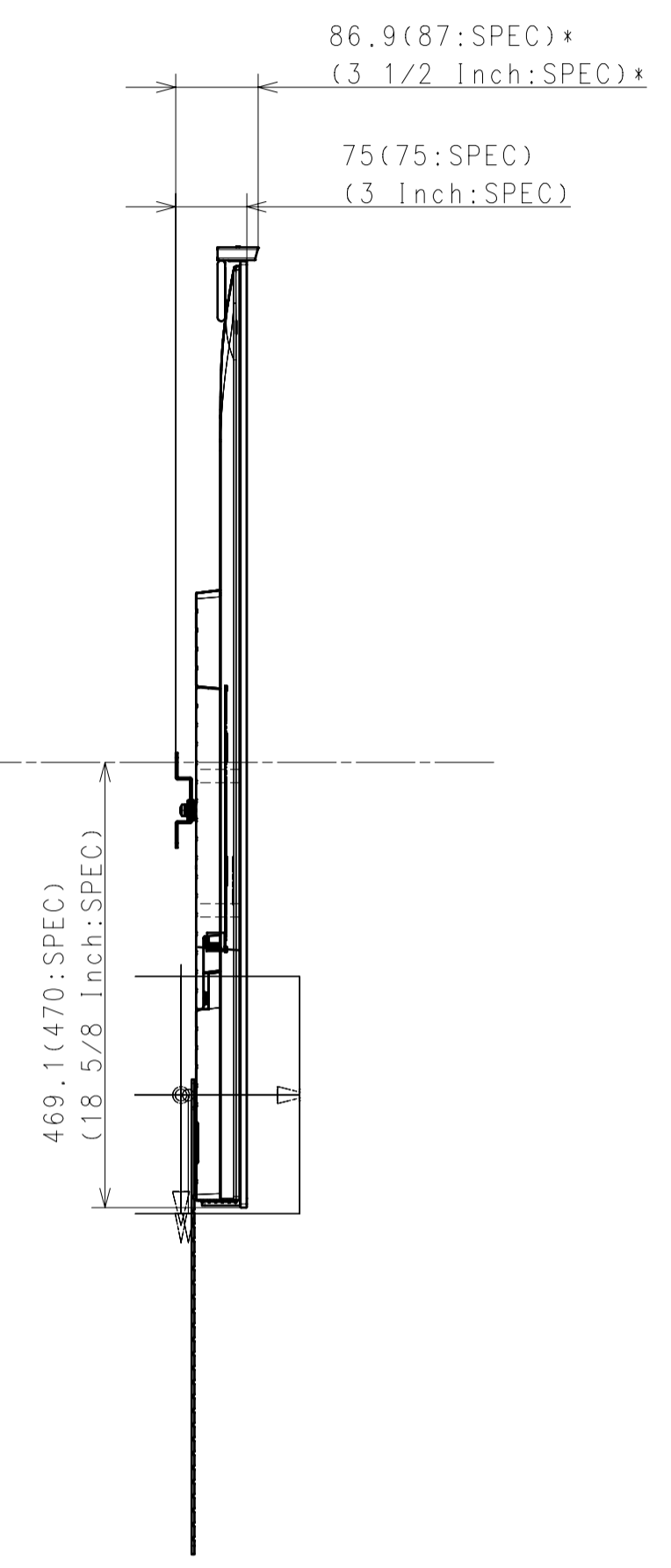
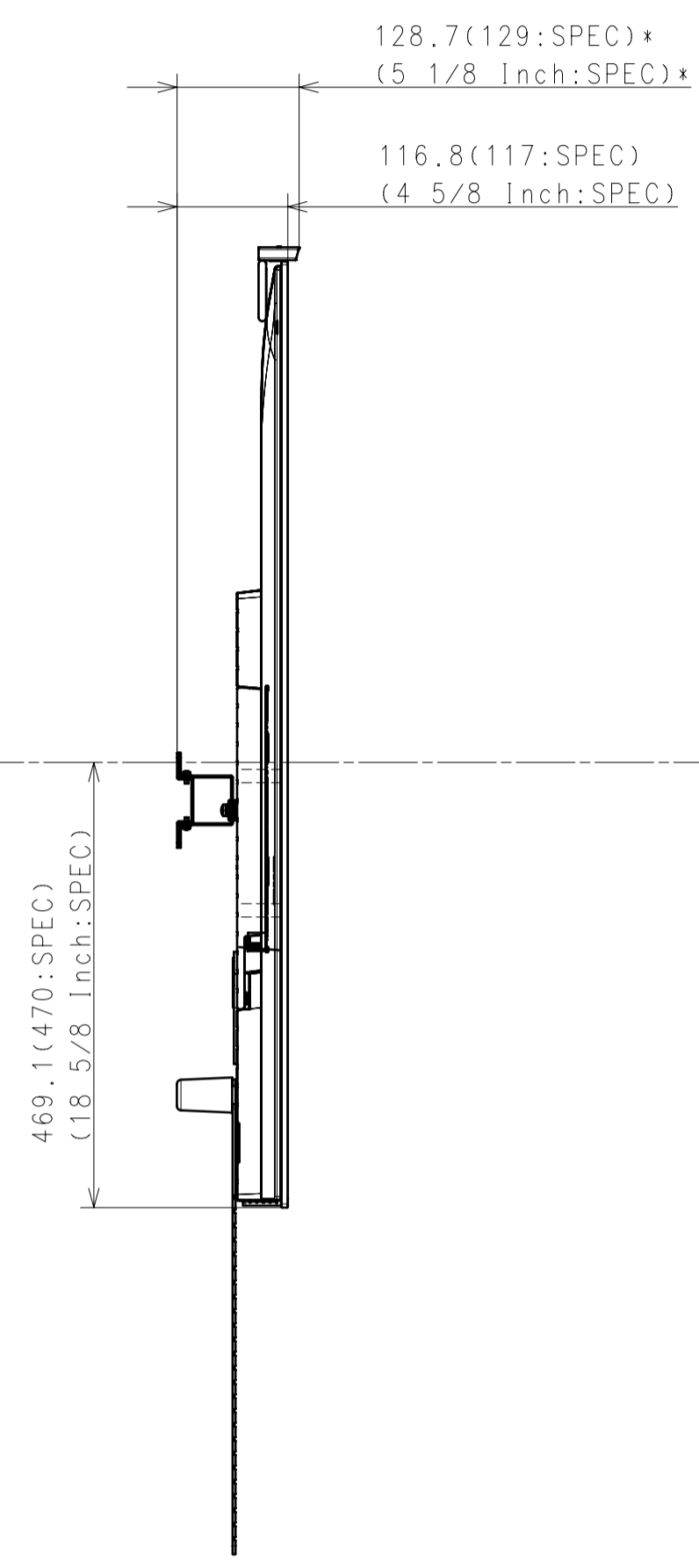
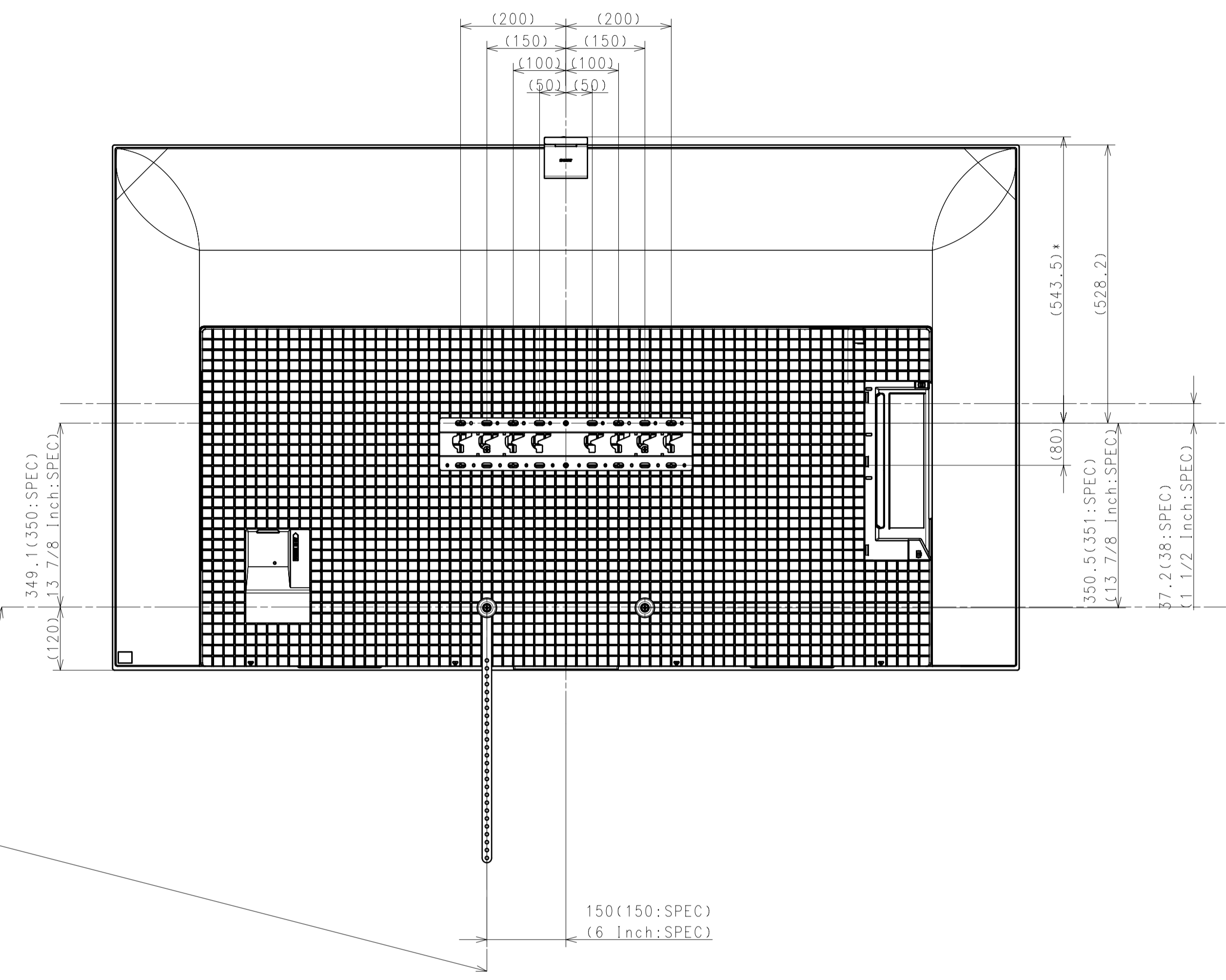
FOR GENERAL AREA / CHINA

DESCRIPTION	77 (A80L) EXTERIOR VIEW	LEGAL OWNER	Sony Corporation	SCALE	1:7
DESCRIPTION	77 (A80L) EXTERIOR VIEW	PART NO.		SHEET/PAGES	5/7

SU-WL450

STANDARD

SLIM



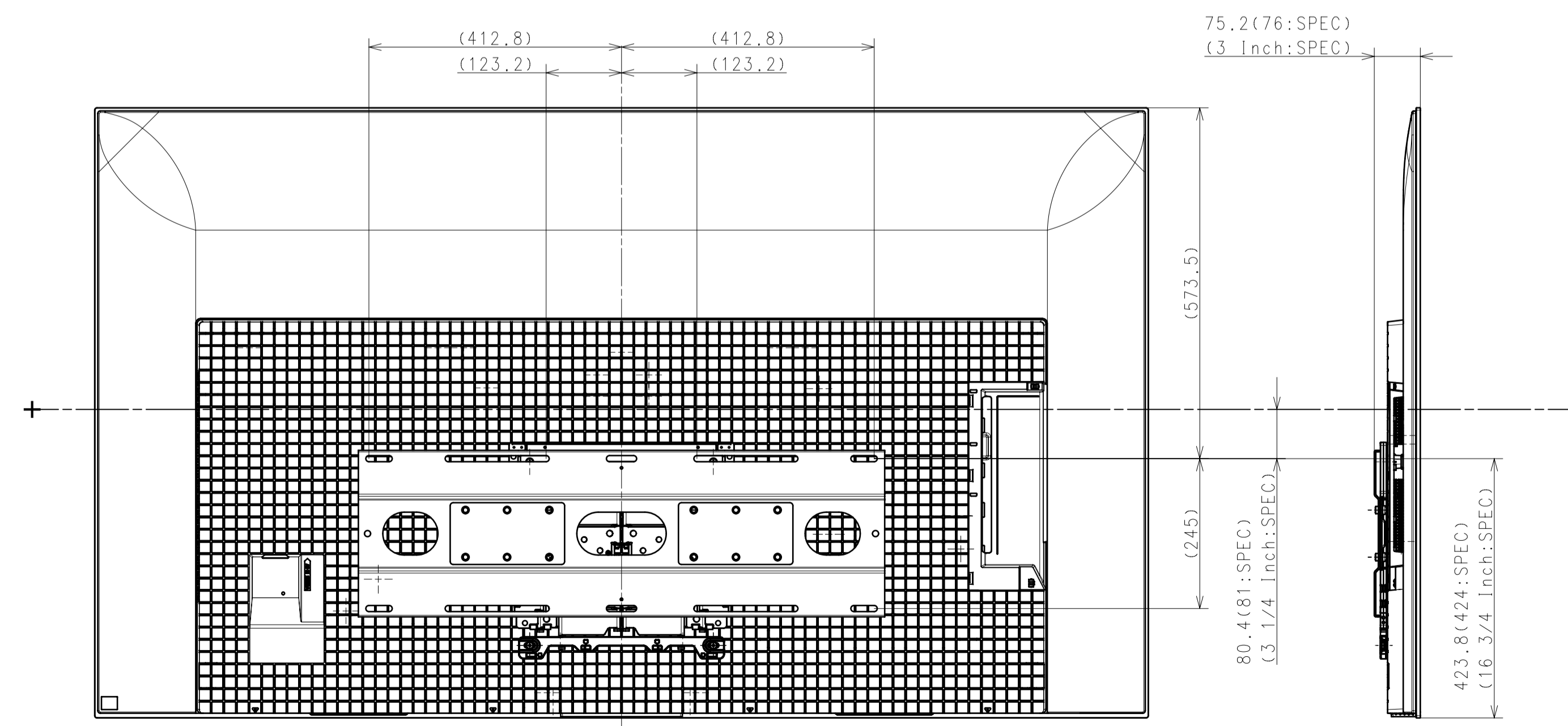
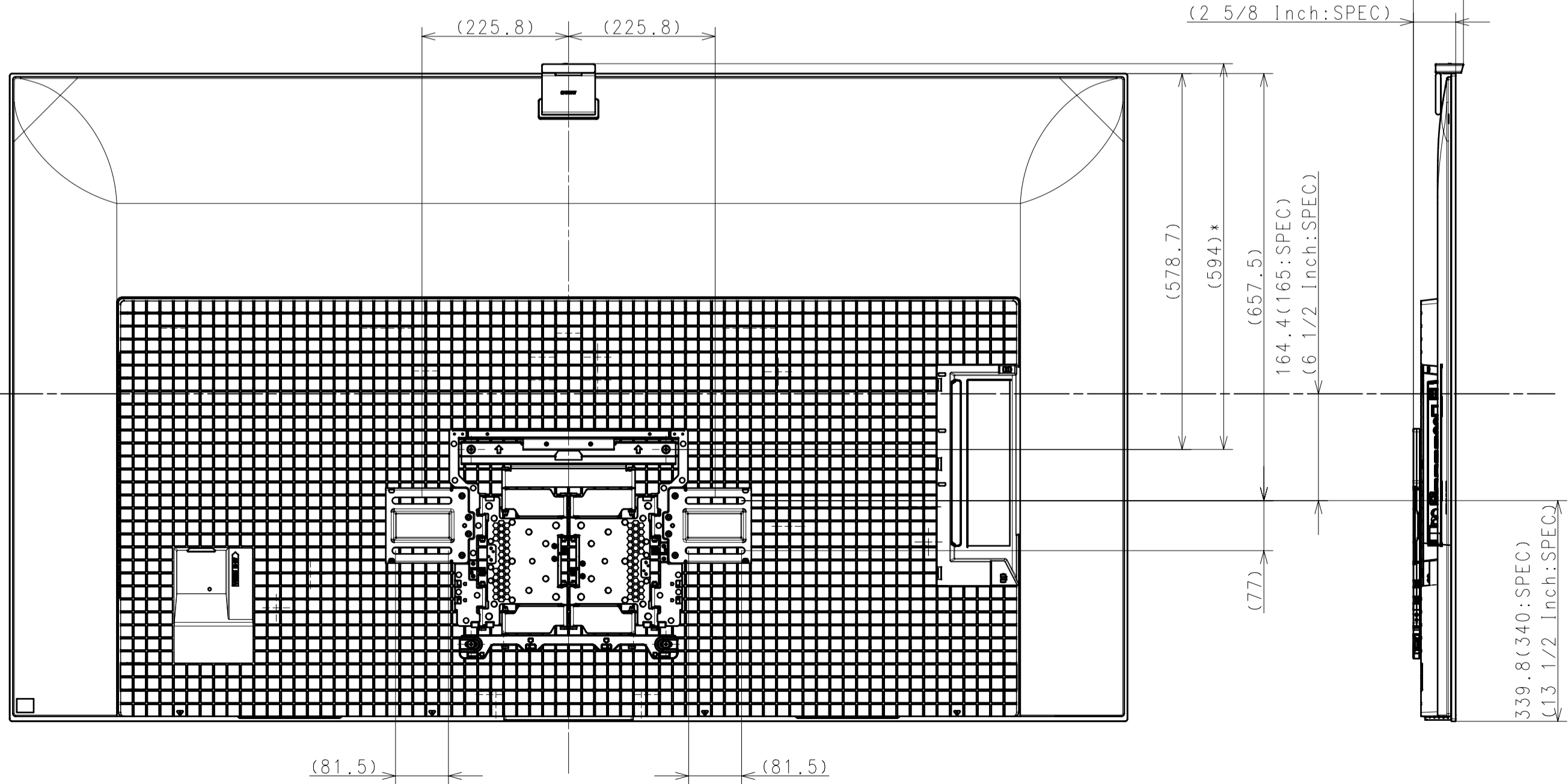
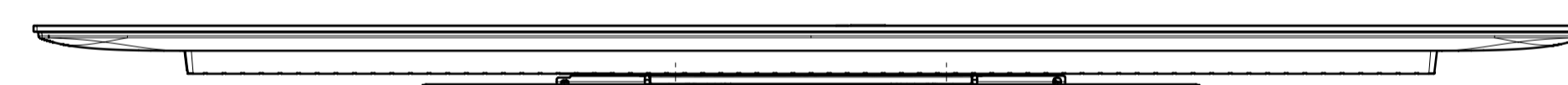
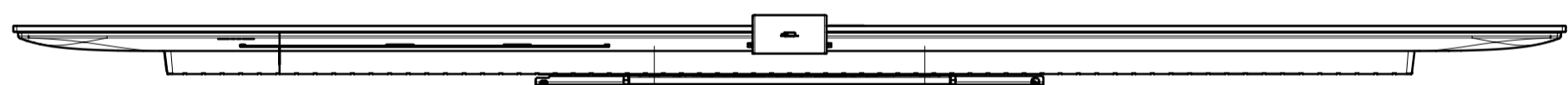
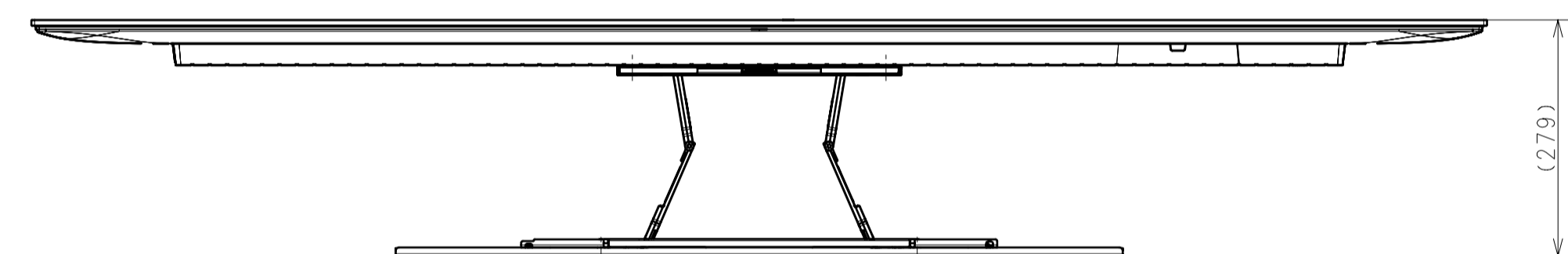
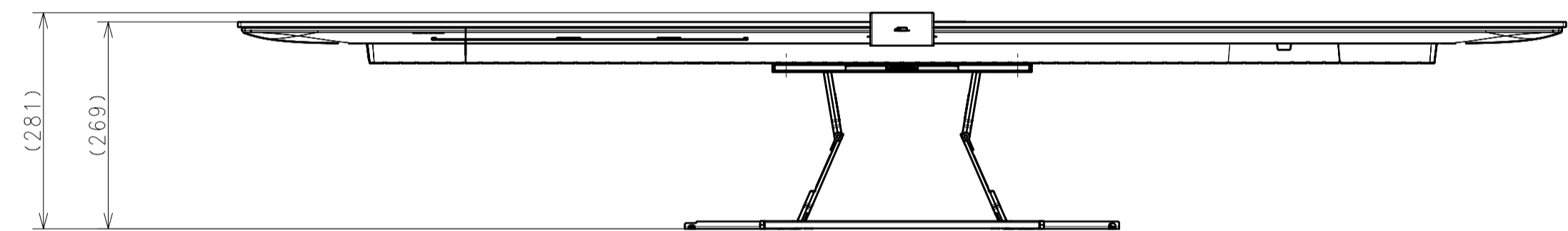
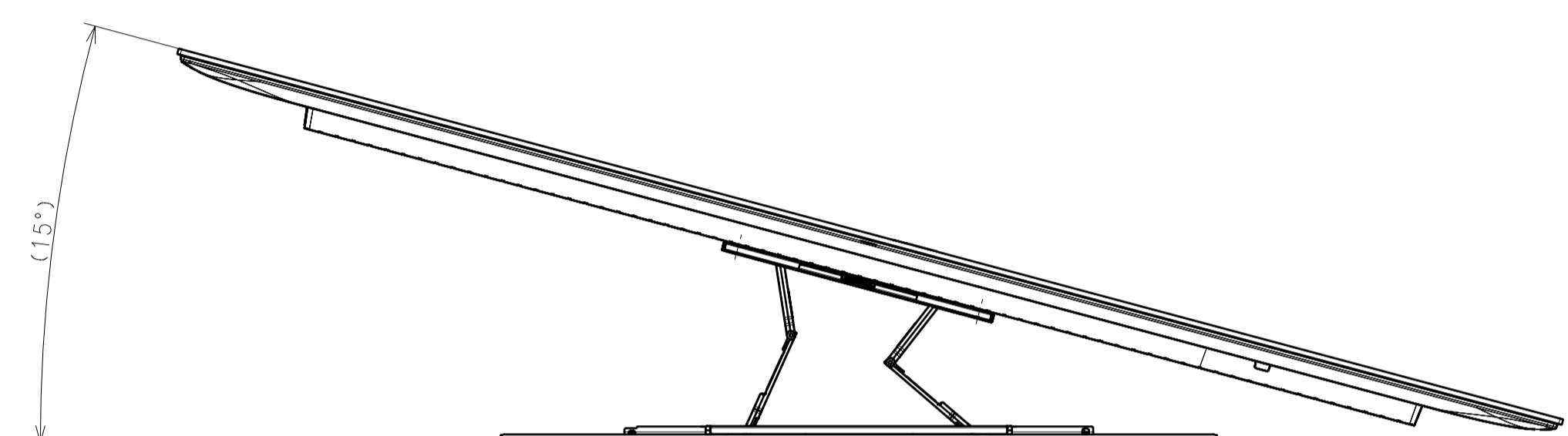
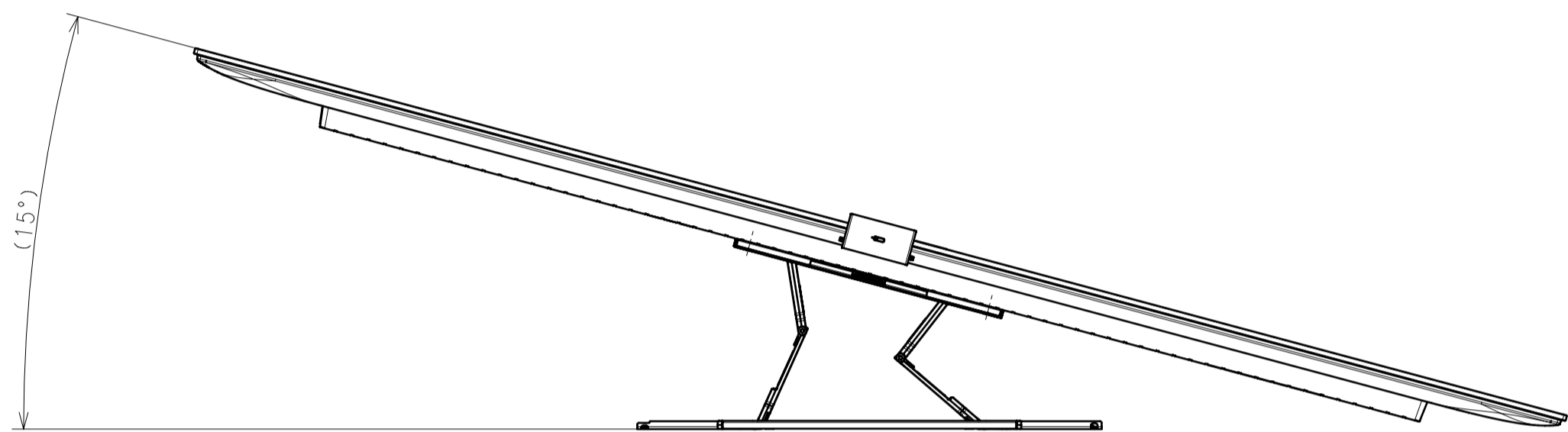
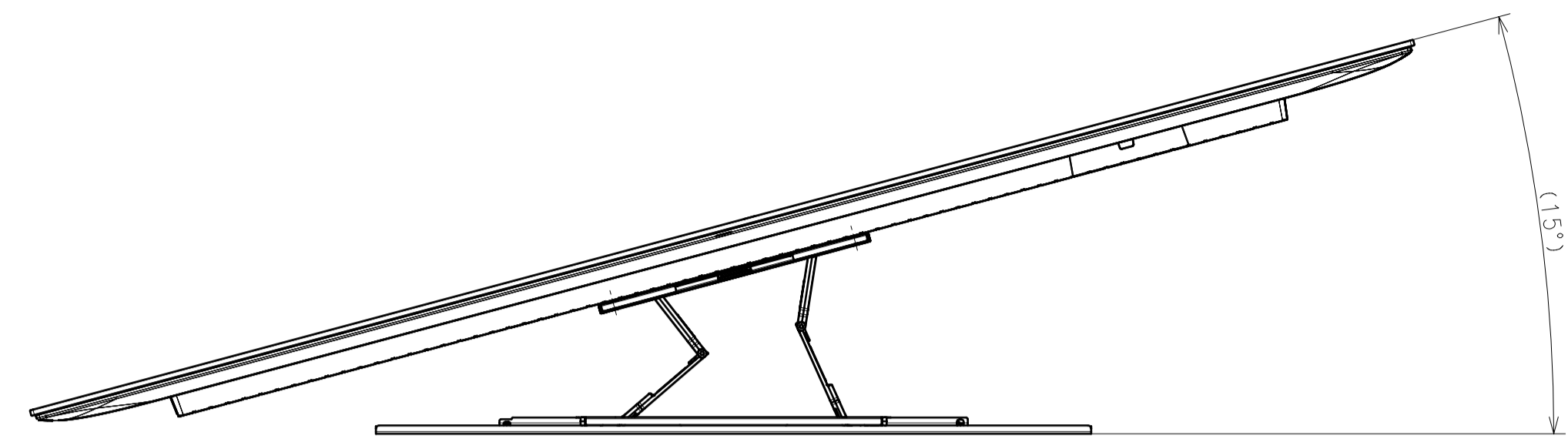
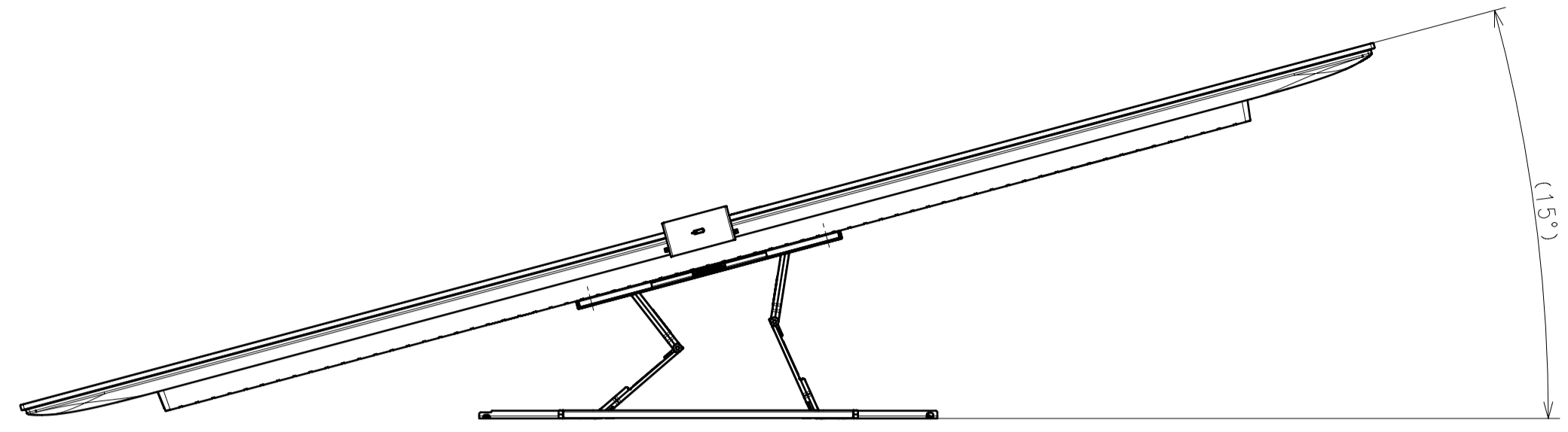
SONY STANDARD DRAWING

SU-WL450 MASKING TAPE ALIGNMENT LINE

DESCRIPTION 1	LEGAL OWNER	SCALE
77 (A80L) EXTERIOR VIEW	Sony Corporation	1:7
DESCRIPTION 2	PART NO.	SHEET/PAGES
77 (A80L) EXTERIOR VIEW		6 / 7

SU-WL850

SU-WL855



DESCRIPTION 1	77 (A80L) EXTERIOR VIEW	LEGAL OWNER	Sony Corporation	SCALE	1:7
DESCRIPTION 2	77 (A80L) EXTERIOR VIEW	PART NO.		SHEET/PAGES	7 / 7