

Bowers & Wilkins

Manual

600 Series 3

Welcome and thank you for choosing Bowers & Wilkins.

Our founder, John Bowers, believed that imaginative design, innovative engineering and advanced technology were keys that could unlock the enjoyment of audio in the home. His belief is one that we continue to share and inspires every product we design.

This is a high performance product that rewards thoughtful installation, so we suggest that you take some time to read this manual before you begin. **Continue on page 3** →

Willkommen bei Bowers & Wilkins. Der Firmengründer John Bowers war der Meinung, dass ein wunderschönes Design, eine innovative Konstruktion und ausgeklügelte Technologien die Schlüssel zu Audio-Entertainment der Extraklasse in Ihrem Zuhause sind. Wir teilen seine Meinung und jedes von uns entwickelte Produkt basiert darauf.

Dies ist ein erstklassiges Produkt, dessen Installation und Setup gut durchdacht werden müssen. Wir empfehlen daher, sich ein wenig Zeit zu nehmen und diese Bedienungsanleitung vor der Installation zu lesen. **Fortsetzung auf Seite 17** →

Bem-vindo e obrigado por escolher a Bowers & Wilkins.

O nosso fundador, John Bowers, acreditava que um desenho criativo, engenharia inovadora e tecnologia avançada eram as chaves que poderiam abrir portas para se desfrutar do áudio em casa. A sua crença é algo que continuamos a partilhar e que inspira cada produto que desenhamos.

O produto que adquiriu possui elevados padrões de desempenho que requerem uma instalação cuidadosa, pelo que recomendamos que leia este manual antes de utilizar o produto. **Continuação na página 31** →

Welkom en bedankt voor uw aankoop van een Bowers & Wilkins product.

Onze oprichter John Bowers geloofde in vindingrijke ontwerpen: innovatieve en vooruitstrevende technologie vormen de kern waarmee plezier met muziek thuis kan worden gerealiseerd. Deze visie is nog altijd ons uitgangspunt en vormt de inspiratie voor elk product dat we ontwikkelen.

Dit is een hoogwaardig product dat een zorgvuldige installatie verdient, daarom raden we u aan de tijd te nemen deze handleiding te lezen voordat u begint. **Lees verder op pagina 45** →

Bienvenue et merci d'avoir choisi Bowers & Wilkins. Notre fondateur, John Bowers, était persuadé qu'une conception imaginative, des innovations en terme d'ingénierie et des technologies parmi les plus avancées, étaient les clés ouvrant les portes du plaisir de l'écoute à domicile. Ce qu'il croyait fait partie de ce que nous continuons encore à partager et se retrouve dans tous les produits que nous concevons aujourd'hui.

Vous disposez d'un produit dont les hautes performances méritent une installation soignée, par conséquent nous vous suggérons de consacrer un peu de temps à lire ce manuel avant de commencer à l'utiliser. **Rendez vous à la page 10** →

Bienvenido y gracias por elegir Bowers & Wilkins.

John Bowers, nuestro fundador, estaba firmemente convencido de que el diseño imaginativo, la ingeniería innovadora y la tecnología avanzada eran las claves a la hora de llevar el disfrute del sonido a la intimidad del hogar. Una creencia que seguimos compartiendo y que inspira todos y cada uno de los productos que diseñamos.

Si se instala adecuadamente, este producto ofrece unas prestaciones muy elevadas, por lo que le sugerimos que antes de ponerse manos a la obra dedique un poco de su tiempo a leer este manual. **Continúa en la página 24** →

Benvenuti e grazie per aver scelto un prodotto Bowers & Wilkins.

Il nostro fondatore, John Bowers, era convinto che design attraente, capacità d'innovare e tecnologie all'avanguardia fossero fattori vincenti per la riproduzione audio domestica. Le sue idee sono ancor oggi condivise da noi tutti e fonte d'ispirazione per ogni nuovo prodotto che realizziamo.

Questo modello è un diffusore di alte prestazioni che merita di essere installato in maniera scrupolosa. Vi suggeriamo pertanto di leggere attentamente questo manuale prima di iniziare. **Continua a pagina 38** →

Καλώς ήρθατε και ευχαριστούμε που επιλέξατε την

Bowers & Wilkins. Ο ιδρυτής μας, John Bowers, πίστευε πως η ευφάνταστη σχεδίαση, οι ευρηματικές λύσεις σε τεχνικά προβλήματα και η προηγμένη τεχνολογία είναι τα κλειδιά για την απόλαυση του ήχου στο σπίτι. Οι απόψεις του εξακολουθούν να μας βρίσκουν σύμφωνους και να εμπνέουν κάθε προϊόν που σχεδιάζουμε.

Αυτό είναι ένα προϊόν υψηλής απόδοσης, το οποίο αξιοποιείται καλύτερα μετά από προσεκτική εγκατάσταση, οπότε σας προτείνουμε να διαθέσετε λίγο χρόνο για να διαβάσετε αυτό το εγχειρίδιο προτού αρχίσετε. **Συνέχεια στη σελίδα 52** →

Добро пожаловать и благодарим вас за приобретение акустики компании Bowers & Wilkins. Наш основатель, Джон Бауэрс, верил в то, что творческий подход в проектировании, новаторская конструкция и передовые технологии смогут открыть людям путь к подлинному звучанию в доме. Мы продолжаем разделять его веру, и она вдохновляет нас при проектировании всех новых продуктов.

Эти акустические системы способны на высококачественное воспроизведение звука, поэтому они заслуживают вдумчивого подхода к установке, и мы советуем вам уделить некоторое время на изучение этой инструкции, прежде чем приступить к прослушиванию. **Продолжение на стр. 59 →**

Üdvözljük, és köszönjük, hogy a Bowers & Wilkins-t választotta. Alapítónk, John Bowers úgy gondolta, hogy a fantáziadús, az innovatív tervezés és a fejlett technológia kulcsfontosságúak, amelyek lehetővé teszik az otthoni hangzás élvezetét. Meggyőződése az, hogy továbbra is megosztjuk és ez minden általunk tervezett terméket inspirál.

Ez egy nagy teljesítményű termék, amely jutalmazza az átgondolt telepítést, ezért javasoljuk, hogy mielőtt elkezdené, szánjon egy kis időt a kézikönyv elolvasására. **Folytatás a 73. oldalon →**

Merhaba, Bowers & Wilkins'i seçtiğiniz için teşekkür ederiz. Kurucumuz John Bowers, yaratıcı tasarım, yenilikçi mühendislik ve gelişmiş teknolojinin evde müzik keyfinin kilidini açacak anahtarlar olduğuna inanıyordu. Biz de bu inancı paylaşmaya devam ediyor ve tasarladığımız her üründe bu inançtan ilham alıyoruz.

Bu, dikkatli kurulum yapılmasını gerektiren yüksek performanslı bir üründür; bu yüzden başlamadan önce zaman ayırıp bu kılavuzu okumanızı öneririz. **Devamı 87. sayfada →**

歡迎並感謝您選擇 Bowers & Wilkins。我們的創始人 John Bowers 認為，富有想像力的設計、創新工程和先進技術是開啟家庭音響享受的關鍵。他的信念是我們繼續分享並激發我們設計的每件產品的信念。

這是一款注重安裝的高性能產品，因此我們建議您在開始之前花一些時間閱讀本手冊。**在第 101 頁繼續 →**

Bowers & Wilkins의 고객이 되신 것을 환영하며 저희 제품을 선택해 주셔서 감사합니다. Bowers & Wilkins의 창립자 John Bowers는 가정에서 오디오를 제대로 즐기기 위한 핵심 요소는 창의적인 디자인, 혁신적인 엔지니어링 및 고급 기술이라고 생각했습니다. 디자인하는 모든 제품을 공유하고 영감을 불어넣는 노력을 계속해야 한다는 것이 그의 신념입니다.

본 제품은 설치 시 주의가 필요한 고성능 제품이므로 시작하기 전에 시간을 내어 이 설명서를 읽어 보시기 바랍니다. **115페이지에서 계속 →**

Děkujeme, že zvolili náš produkt a vítáme vás u

Bowers & Wilkins. Když John Bowers zakládal společnost Bowers & Wilkins, byl přesvědčen o tom, že nápaditý design, inovativní konstrukce a vyspělé technologie jsou klíčem ke kvalitnímu poslechu zvuku v domácnostech zákazníků Bowers & Wilkins. Toto přesvědčení nás i nadále inspiruje při návrhu každého nového produktu.

Věnujte nyní prosím trochu času přečtení tohoto manuálu, který vám pomůže plně využít potenciálu našeho výrobku. **Pokračujte na stranu 66 →**

Dziękujemy za wybór produktu firmy Bowers & Wilkins.

John Bowers założył swoją firmę, ponieważ wierzył, iż ciekawy wygląd, innowacyjna konstrukcja i zaawansowana technologia są kluczami do rozkoszowania się dźwiękiem w domowym zaciszu. Ta właśnie wiara towarzyszy nam i inspiruje każdy produkt, który tworzymy.

Niniejszy produkt wymaga starannej instalacji, dlatego sugerujemy zapoznanie się z poniższymi instrukcjami zanim zaczniesz korzystać z produktu. **Čiag dalszy na stronie 80 →**

欢迎并感谢您选择 Bowers & Wilkins。 我们公司的创办人 John Bowers 先生相信具有想象力的设计、创新的工程设计和先进的技术是开启家庭音响娱乐大门的重要元素。我们依然坚持着他的信念，并赋予我们所有产品设计灵感。

这是一款高性能产品，在妥当安装后您将获得极佳的音效，因此我们建议您在开始安装前花一些时间仔细阅读本手册。

第94页继续 →

Bowers & Wilkins製品をお買い上げいただき、ありがとうございます。 Bowers & Wilkinsの創業者であるJohn Bowersは、創意に富んだデザインと革新的な工業技術、そして先進技術が、家庭でもオーディオを十分に楽しむ鍵であると信じていました。現在でも彼の信念はBowers & Wilkinsで共有されており、この信念はBowers & Wilkinsが設計するすべての製品に命を吹き込んでいます。

お買い上げいただいたスピーカーの優れた性能を引き出すには、正しく設置することが必要です。ご使用になる前に、このマニュアルをお読みください。**108ページに続く →**

1. Unpacking

	Grille	Foam Plug	Rubber Foot (self-adhesive)	Rubber Foot (screw-on)	Spike Foot	Plinth	Allen Key	45mm Screw	Plain Washer	Shakeproof Washer
603 S3	1	1		4	4	1	1	4	4	4
606 S3 607 S3	2	2	8							
HTM6 S3	1	1	4							

Carton Contents

The table above illustrates the component parts that are packed with the product. In the unlikely event that anything is missing please contact the retailer from whom you purchased the speakers.

Environmental Information

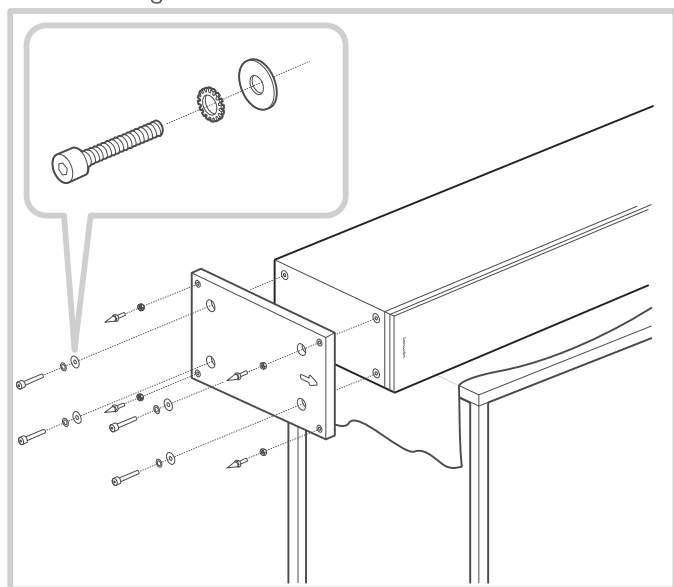
This product complies with international directives, including but not limited to:

- i. the **R**estriction of **H**azardous **S**ubstances (RoHS) in electrical and electronic equipment,
- ii. the **R**egistration, **E**valuation, **A**uthorisation and restriction of **C**hemicals (REACH)
- iii. the disposal of **W**aste **E**lectrical and **E**lectronic **E**quipment (WEEE).

Consult your local waste disposal authority for guidance on how properly to recycle or dispose of this product.

2. Positioning

603 S3



Speaker Installation

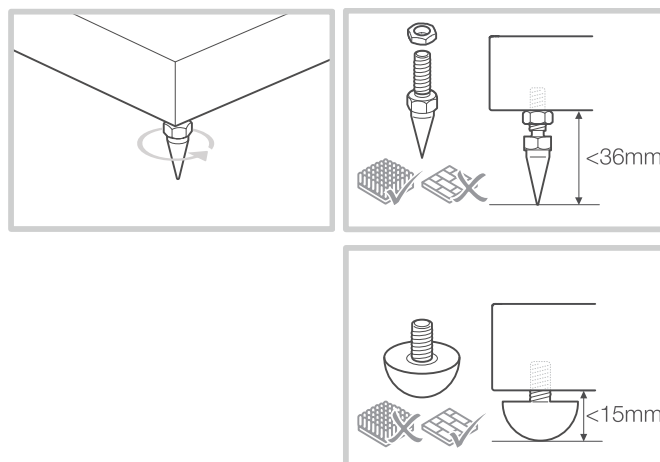
603 S3

603 S3 is intended to be floor mounted only. For proper stability, always install the provided plinth, then ensure that the speakers stand firmly on the floor using the spike or rubber feet supplied.

You may attach the plinth during the unpacking process, following the illustrations above or the diagrams on the top flap of the carton.

Warning

The plinth **MUST** always be used, with the rubber or spike feet inserted into the plinth. **DO NOT** insert rubber or spike feet directly into the cabinet.

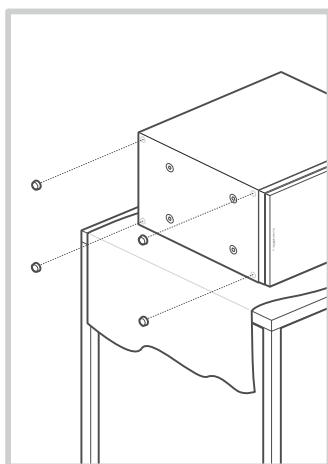


Important Safety Notice

Sharp spikes, do not touch.

The spike feet are designed to pierce carpet and rest on the floor surface. Initially, screw the lock nuts onto the spikes just far enough to leave the nuts floating just above the carpet when the spikes are resting on the floor beneath. Then, screw the spikes fully into the threaded inserts in the plinth. If the cabinet rocks when placed on the floor, unscrew the two spikes that do not touch the floor until the cabinet rests firmly without rocking. Finally, lock the nuts against the base and gently tighten the nut to stop the spike foot rotating. It may be more convenient to fit and adjust the spike feet after speaker positioning has been optimised.

If there is no carpet and you wish to avoid scratching the floor surface, use either a protective metal disc (a coin perhaps) between the spike and the floor, or use the supplied rubber feet. Fit the rubber feet and level the cabinet in the same manner as with the spike feet.



606 S3 / 607 S3

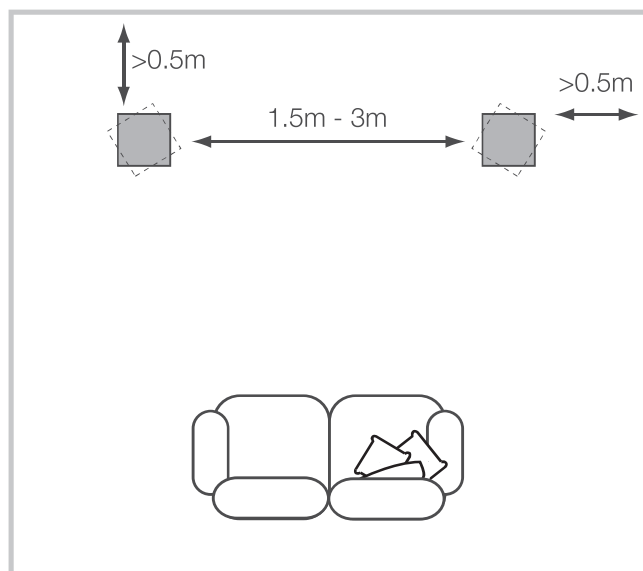
The 606 S3 and 607 S3 are primarily designed to be mounted on a dedicated floor stand (FS-600 S3), but may be placed on a shelf if preferred. However, it should be noted that this offers less flexibility to optimise the speaker's performance. If shelf placement must be used, we recommend using the foam plugs (supplied) to optimise port performance (see Section 4: Fine-Tuning).

In both installation cases, the speakers' tweeters should be approximately at ear height at your usual listening position.

Note: If using a shelf, ensure that it is strong enough to properly support the weight and fit the four self-adhesive rubber feet to the underside of the speaker.

HTM6 S3

If using a projection television with an acoustically transparent screen, position the speaker behind the centre of the screen. Otherwise, position it either directly below or above the screen using either a floor stand, furniture unit or wall shelf, ensuring the speaker is as close to ear height as possible. If the speaker is to be placed either on a shelf or in a rack shared with other AV equipment, fix the four self-adhesive rubber feet to the base of the speaker. They provide a degree of vibration isolation.

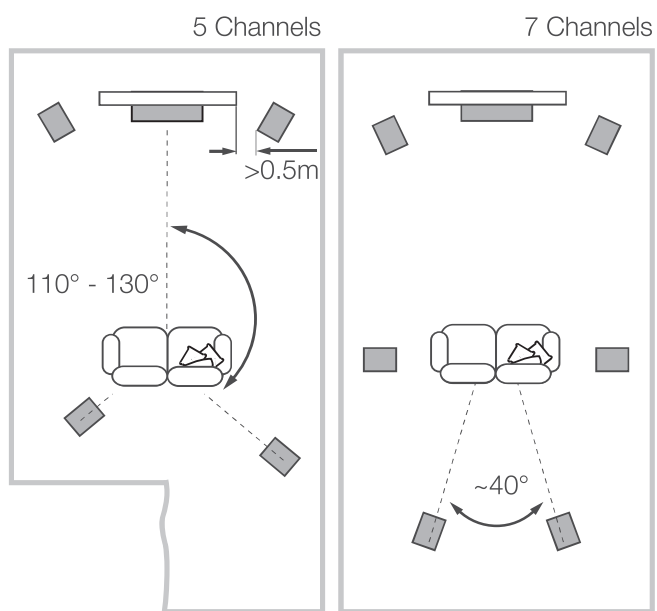


Speaker Positioning

In either stereo or home theatre installations, try to ensure that the immediate surroundings of each speaker are similar in acoustic character. For example, if one speaker is adjacent to bare walls while the other is adjacent to soft furnishings and curtains, both the overall sound quality and the stereo image are likely to be compromised.

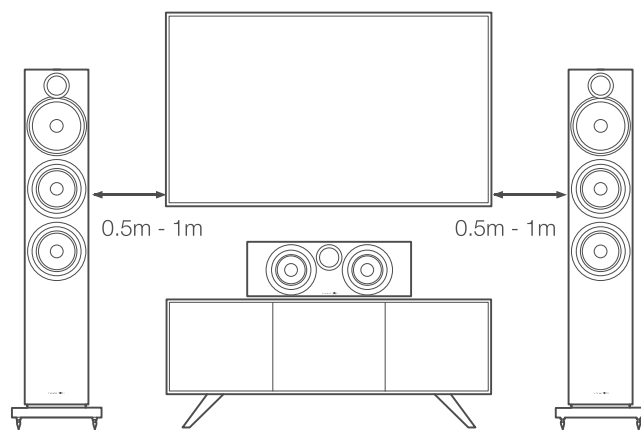
Conventional Stereo Systems

To begin with, the speakers should be positioned between 1.5m and 3m apart at two corners of an equilateral triangle completed by the listening area at the third corner. The speakers should be placed at least 0.5m away from the back and any side walls (as per the illustration above).



Home Theatre Systems

If the speakers are to be used for the front channels in a home theatre system, they should be placed closer together than for 2-channel audio, because the surround channels tend to widen the image. Positioning the speakers within approximately 0.5m of the sides of the screen will also help keep the sound image in scale with the visual image. As with conventional stereo positioning, the speakers should ideally be at least 0.5m away from any side walls.

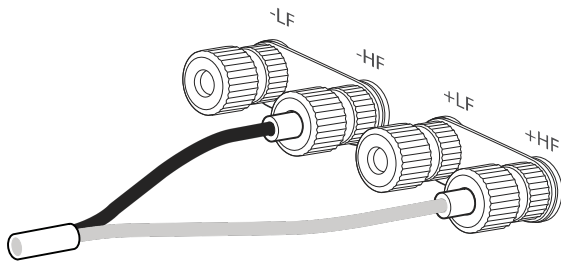


Stray Magnetic Fields

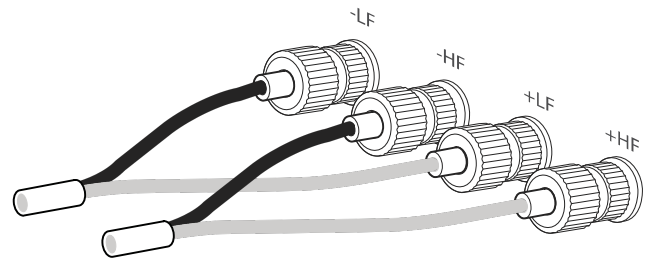
The speaker drive units create stray magnetic fields that extend beyond the boundaries of the cabinet. We recommend you keep magnetically sensitive articles (CRT television and computer screens, computer discs, audio and video tapes, swipe cards and the like) at least 0.5m from the speaker. LCD, OLED and plasma screens are not affected by magnetic fields.

3. Connections

Conventional Connection



Bi-Wired Connection

**Important Safety Notice**

All connections should be made with the audio equipment switched off. When using audio equipment in normal operation, touching uninsulated speaker terminals or wiring may result in an unpleasant sensation. The 600 S3 speaker terminals accept a variety of cable terminations: 4mm banana plugs, 6mm and 8mm (1/4 in and 5/16 in) spades, or bare wires up to 4mm (5/32 in) diameter.

**Important Safety Notice**

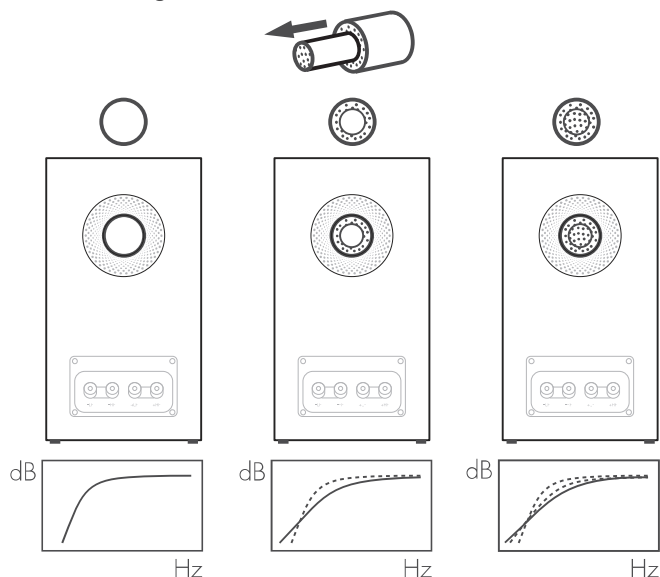
In certain countries, notably those in Europe, the use of 4mm banana plugs is considered a potential safety hazard, because they may be inserted into the holes of unshuttered mains supply sockets. In order to comply with European CENELEC safety regulations, the 4mm holes in the ends of the terminals are blocked by plastic pins. If you are using the products in any country where these conditions apply, you should ensure that any banana plugs cannot be used in an unsafe manner by children or other uninformed persons. The plastic pins can be removed if you wish to use banana plugs.

Ask your dealer for advice when selecting speaker cable. Keep its total impedance below the maximum recommended in the speaker specification and use a low inductance cable to avoid attenuation of high frequencies.

There are two linked pairs of terminals on the back of the speaker. For conventional connection (above left), the terminal links should remain in place (as delivered) and just one pair of terminals connected to the amplifier. For bi-wire connections or bi-amplification (above right), the terminal links should be removed and each pair of terminals connected to the amplifier or amplifiers independently. Bi-wiring can improve the resolution of low-level detail.

Ensure that the positive terminals on the speaker (with red ring) are connected to the positive output terminal on the amplifier and the negative terminals on the speaker (with black ring) are always connected to the negative output terminal on the amplifier. Incorrect connection will not result in damage but will cause poor stereo imaging and loss of bass. Always screw the terminal caps down fully to prevent rattles.

4. Fine-Tuning



Before fine-tuning, make sure that all the connections in the installation are correct and secure.

Moving the speakers further from the walls will generally reduce the volume of bass. Space behind the speakers will also help to create an aural impression of depth. Conversely, moving the speakers closer to the walls will increase the volume of bass. If you want to reduce the volume of bass without moving the speakers further from the wall, fit the foam plugs or, for less severe bass reduction, the foam rings in the port tubes (above).

If the bass seems uneven with frequency this will most probably be due to resonance modes in the listening room. Even small changes in the position of the speakers or the listening position can have a profound effect on how these resonances affect the sound. Try moving the listening position or locating the speakers along a different wall. The presence and position of large pieces of furniture can also influence resonance modes.

If no alternatives exist, you can adjust your loudspeakers' low-frequency performance using the supplied foam plugs. The plugs are a two-piece part, allowing for a degree of fine-tuning using either the outer, larger-diameter piece in isolation or the two parts together. Using solely the outer, larger-diameter foam piece will deliver less bass attenuation than the complete plug assembly.

If the central image lacks focus, try moving the speakers closer together or angle them inward so that they point at a location just in front of the listening position. If the sound is too bright, increasing the amount of soft furnishing in the room (heavier curtains for example) may help balance the sound. Conversely, reducing the amount of soft furnishing may help brighten a dull sound.

For the most discerning listening, remove the grilles by gripping around their edges and gently pulling them away from the cabinet.

5. Running In

The performance of the speaker will change subtly during the initial listening period. If the speaker has been stored in a cold environment, the damping compounds and suspension materials of the drive units will take some time to recover their correct mechanical properties. The drive unit suspensions will also loosen up during the first hours of use. The time taken for the speaker to achieve its intended performance will vary depending on previous storage conditions and how it is used. As a guide, allow up to a week for the temperature effects to stabilise and 15 hours of average use for the mechanical parts to attain their intended design characteristics.

6. Aftercare

The cabinet surfaces will usually only require dusting. We recommend you use a soft microfibre cloth. If you wish to use an aerosol or other cleaner, apply the cleaner onto the cloth, not directly onto the product, and test a small area first, as some cleaning products may damage some of the surfaces. Avoid products that are abrasive, or contain acid, alkali or anti-bacterial agents. Do not use cleaning agents on the drive units. Avoid touching the drive units as damage may result.