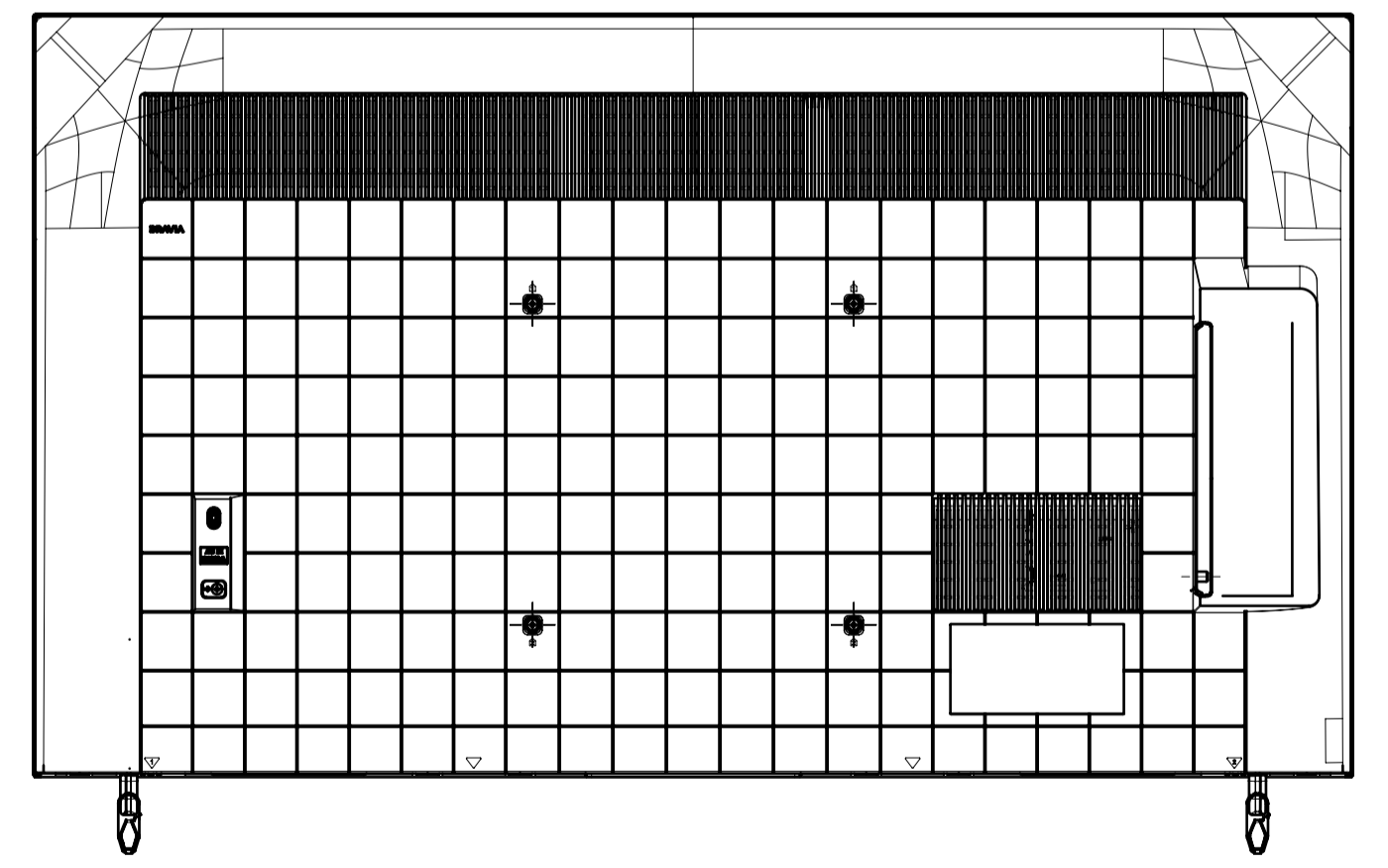
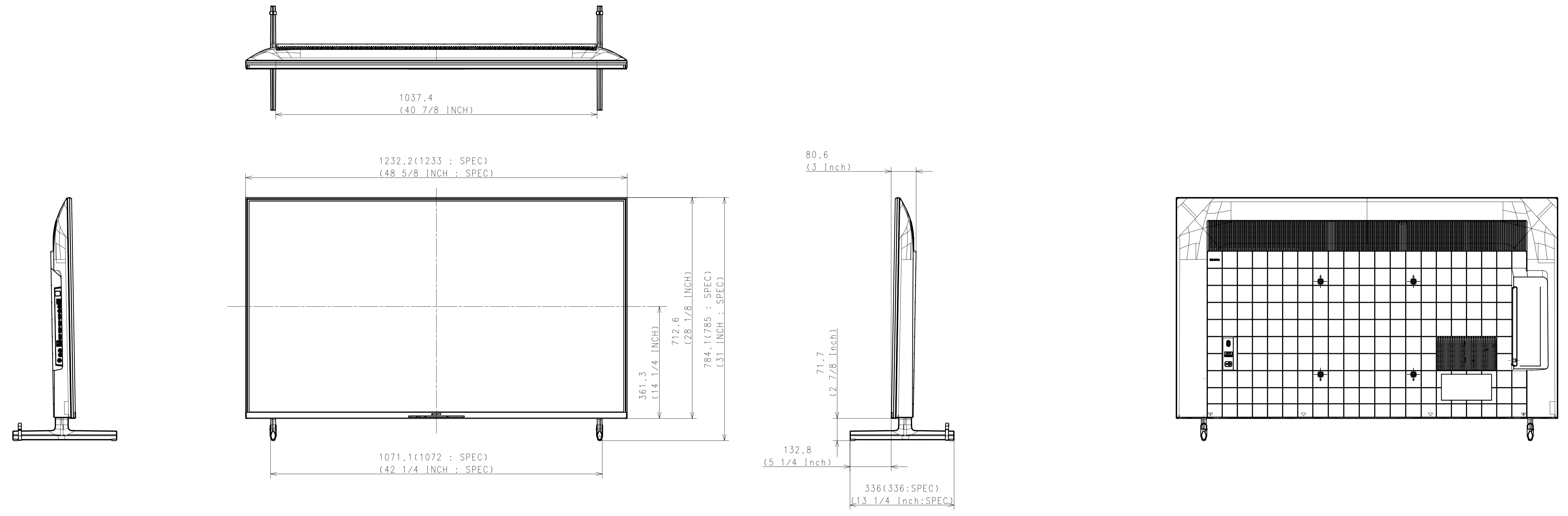


Area	JAPAN	EUROPE	GENERAL AREA	CHINA
Model Name	KJ-55X80L	KD-55X80L	KD-55X80L	KD-55X80L
SV No.	SV-41311	SV-41267	SV-41112	SV-41221
DIMENSION	TV only (W x H x D)	123.3 x 71.3 x 7.2 cm	Approx. 123.3 x 71.3 x 7.2 cm	Approx. 1233 x 713 x 72 mm
	TV only with camera (W x H x D)	-	-	-
	TV with Stand (Standard position) (W x H x D)	123.3 x 78.5 x 33.6 cm	Approx. 123.3 x 78.5 x 33.6 cm	Approx. 1233 x 785 x 336 mm
	TV with Stand (Narrow position) (W x H x D)	-	Approx. 123.3 x 78.5 x 33.6 cm	-
	TV with Stand (Soundbar position) (W x H x D)	-	-	-
	TV with Stand (Front position style) (W x H x D)	-	-	-
	TV with Stand (Back position style) (W x H x D)	-	-	-
	TV with Floor Stand (W x H x D)	-	-	-
	Stand Width (Standard position)	107.2 cm	Approx. 107.2 cm	Approx. 1072 mm
	Stand Width (Narrow position)	-	Approx. 46.9 cm	-
	Stand Width (Soundbar position)	-	-	-
	Stand Width (Front position style)	-	-	-
	Stand Width (Back position style)	-	-	-
Floor Stand Width	-	-	-	
VESA Hole Pitch	30.0 x 30.0 cm	30.0 x 30.0 cm	300 x 300 mm	300 x 300 mm
WEIGHT	TV Only	15.9 kg	Approx. 15.9 kg	Approx. 15.9 kg
	TV with Stand (Standard position)	17 kg	Approx. 17 kg	Approx. 17 kg
	TV with Stand (Narrow position)	-	Approx. 17 kg	-
	TV with Stand (Soundbar position)	-	-	-
	TV with Stand (Front/Back position style)	-	-	-
	TV with Floor Stand	-	-	-
	Floor Stand weight (Supply)	-	-	-
W-M't Br. Weight (Supply)	-	-	-	
Remarks		2way		

WITH STAND

MAIN STAND (STANDARD POSITION)
 KJ-55X80L (JAPAN) AND
 KD-55X80L (EUROPE, GENERAL AREA, CHINA)

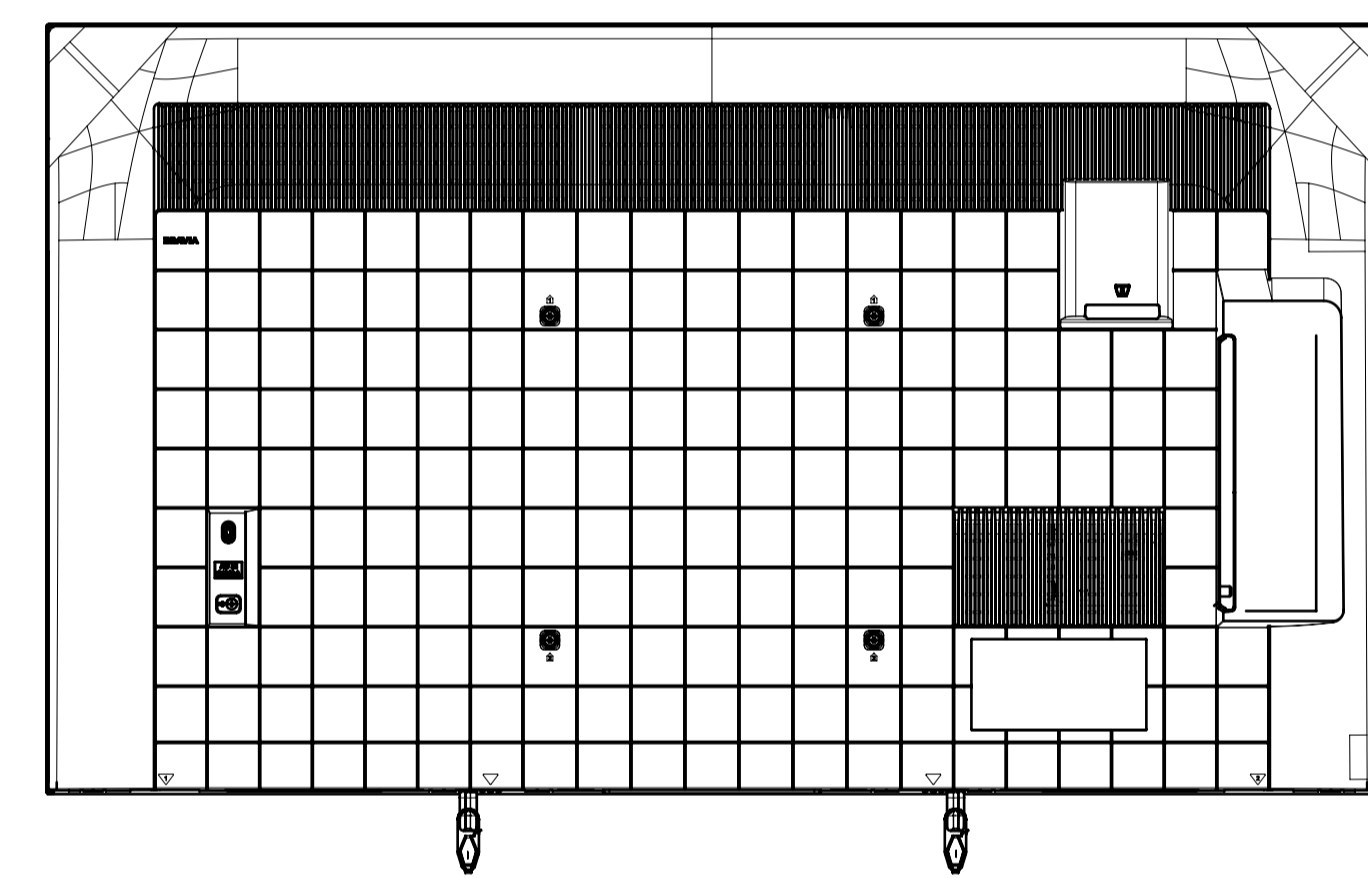
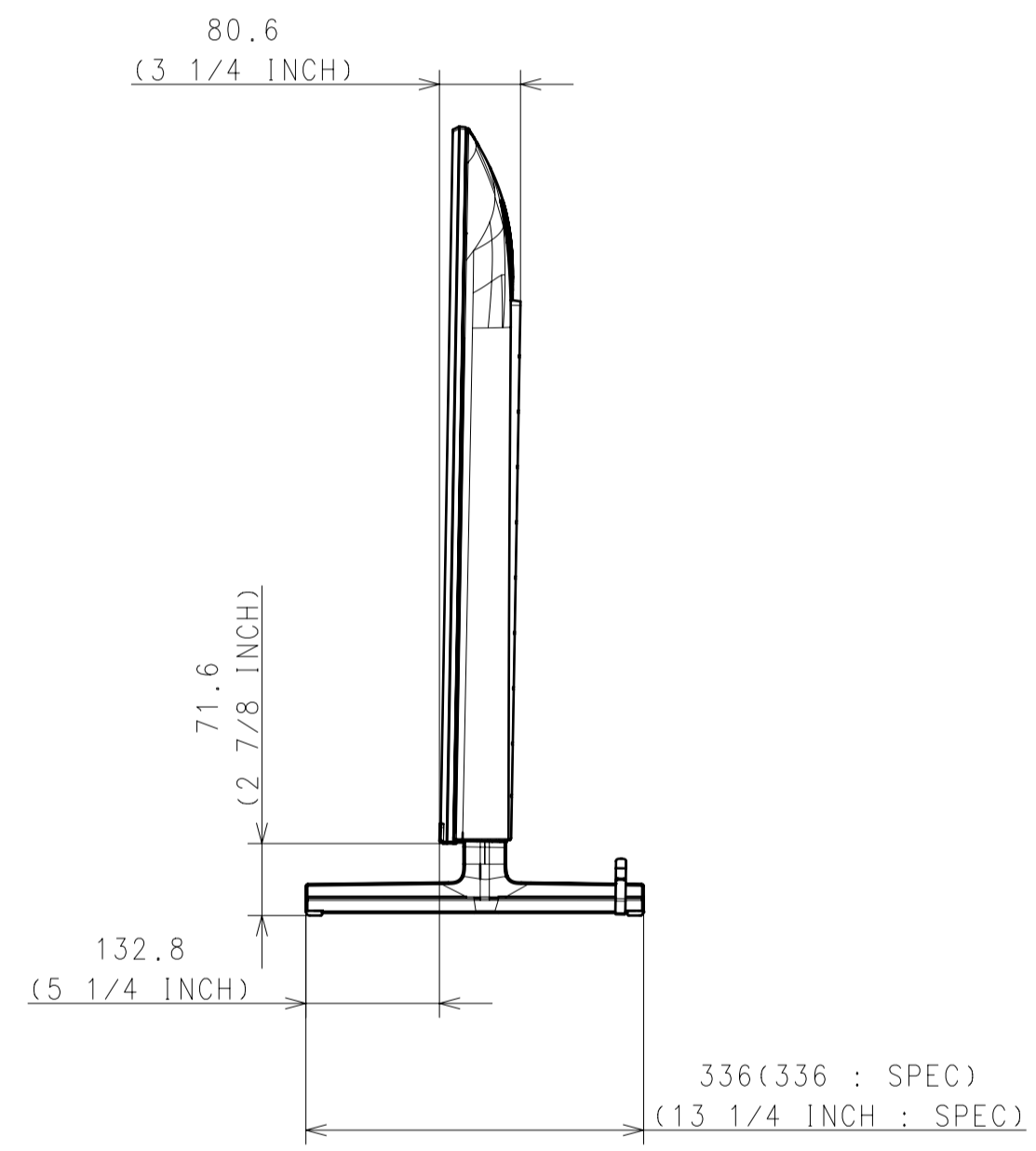
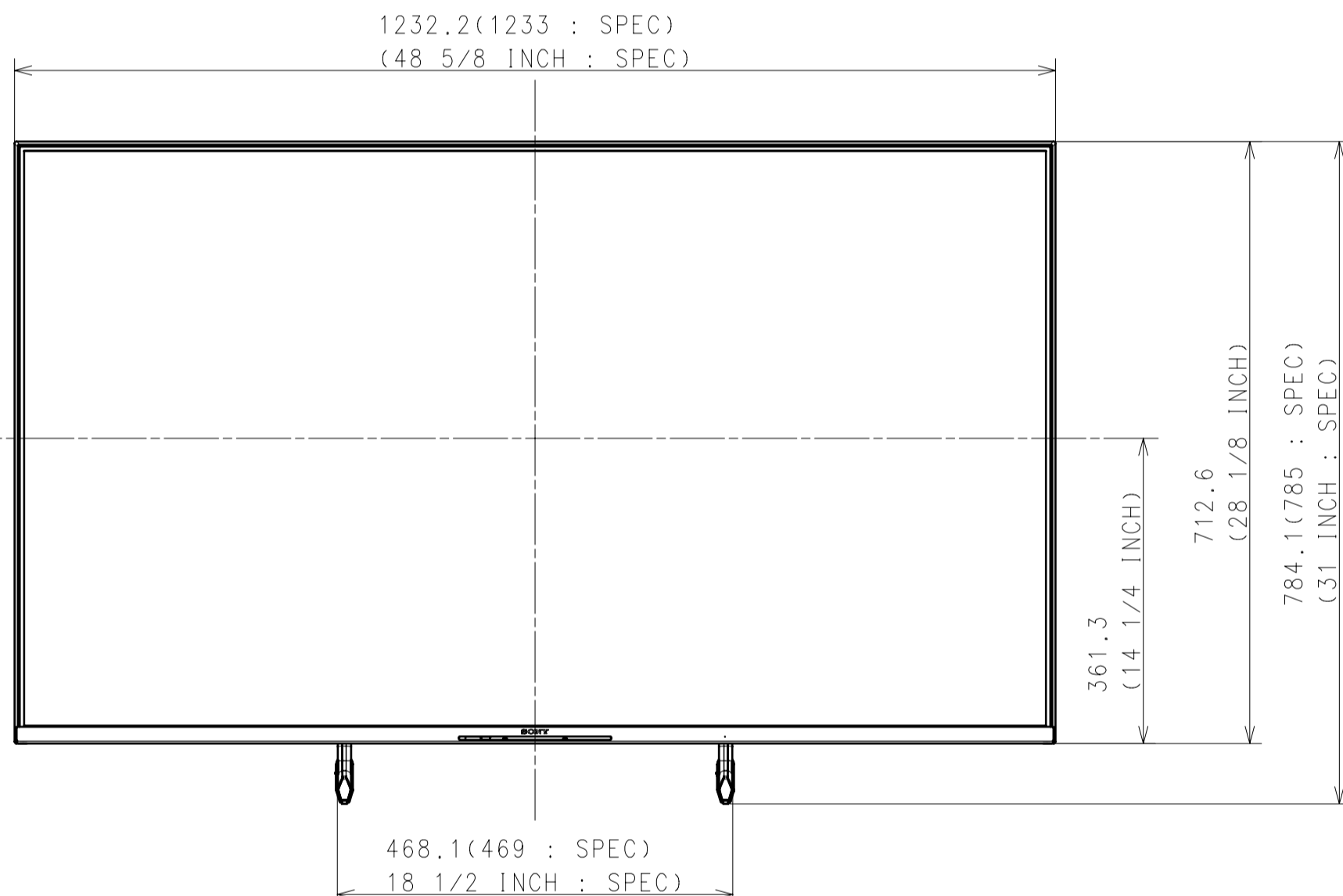
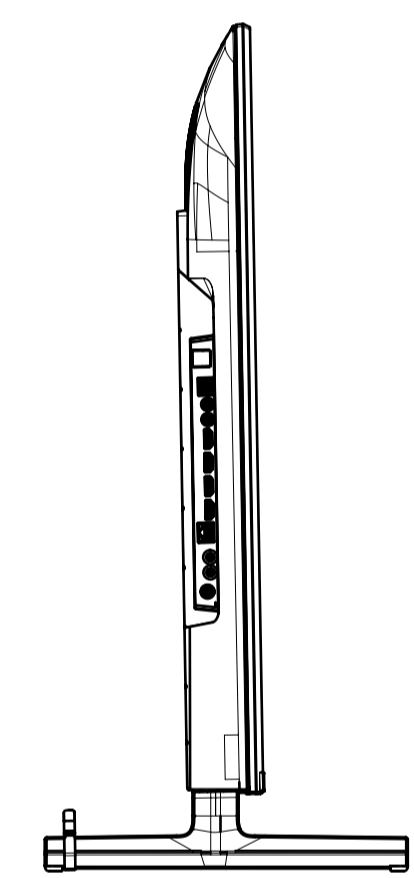
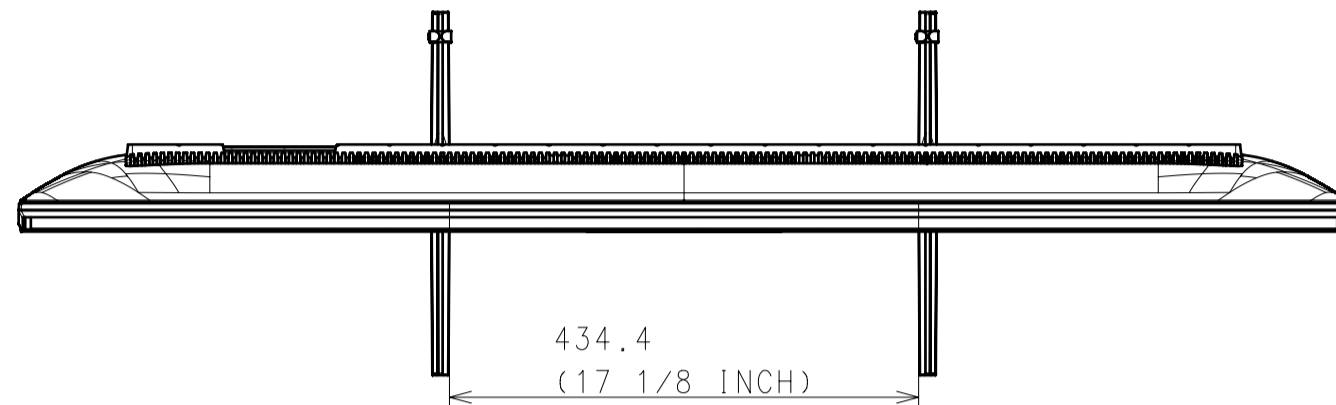


Purchase recycled resins and wire rods only from the business partners that Sony approves as Green Partners.
 再生樹脂・電線電纜はグリーンパートナー認定品から調達すること。

DATE OF ISSUE 2022.10.09	DOCUMENT TYPE ASSEMBLY DRAWING	GENERAL TOLERANCE	TOLERANCE (DIMENSIONS)
HISTORY & COUNT	SUFFIX PREFIX	RELEASE NO. DATE	REVISION
LEGAL OWNER Sony Corporation	RESPONSIBLE DEPARTMENT PANEL & MECHANICAL DESIGN	ORIGINAL MODEL 55 (X80L) EXTERIOR VIEW	DESCRIPTION 55 (X80L) EXTERIOR VIEW
PLANNED BY 2022.10.09 SYED. DS3-MECHA	DRAWN BY 2022.10.21 SYED. DS3-MECHA	CHECKED BY	APPROVED BY
SCALE 1:7	TENTATIVE MODEL	SIZE A1	UNIT mm
SHEET NO.	SUFFIX	REV. NO.	SHEET/PAGES 1 / 5

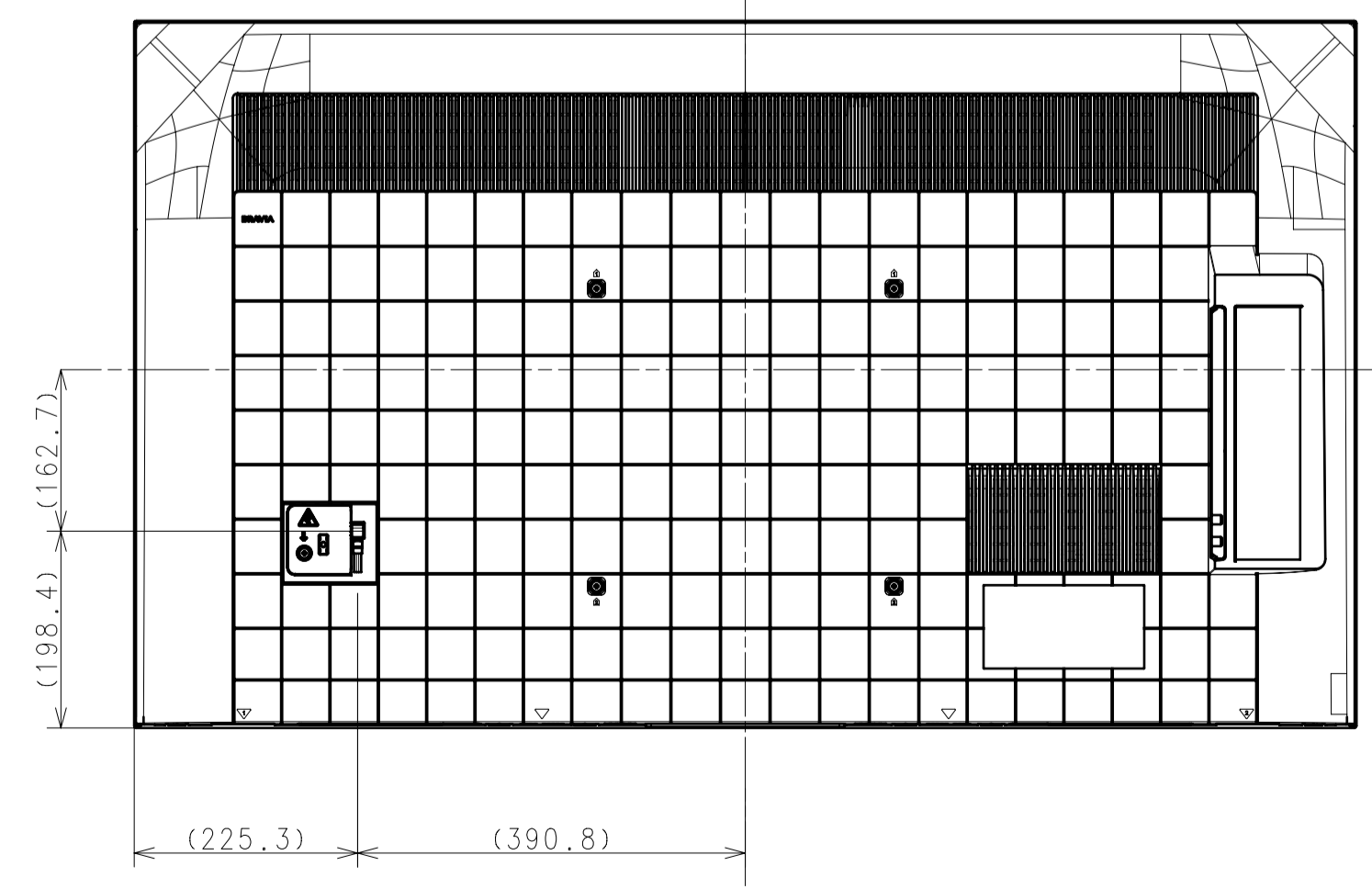
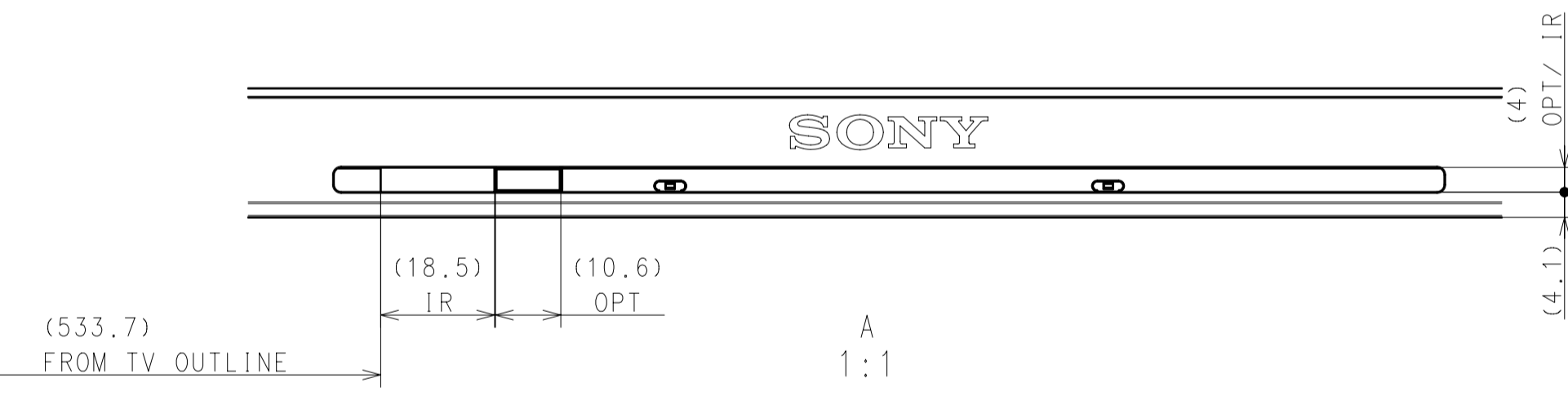
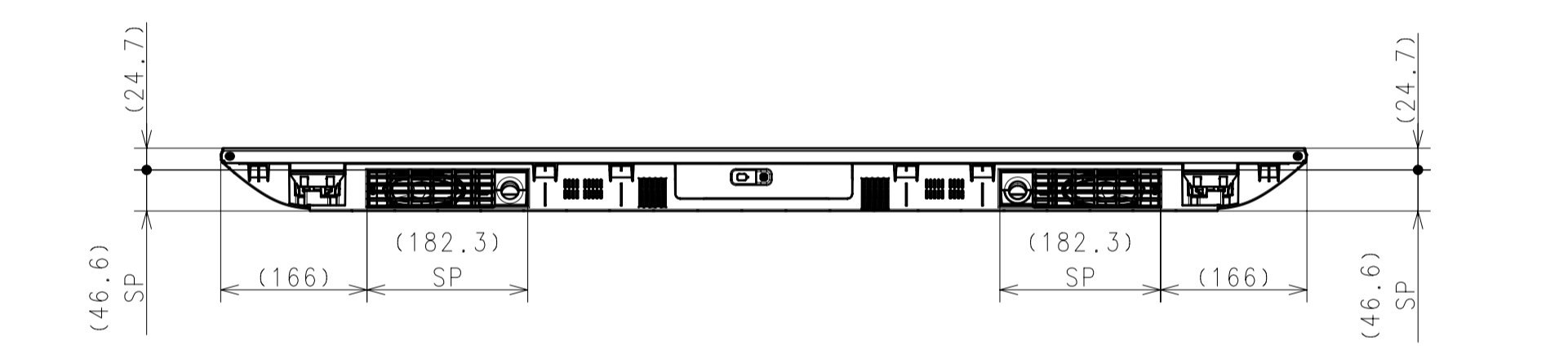
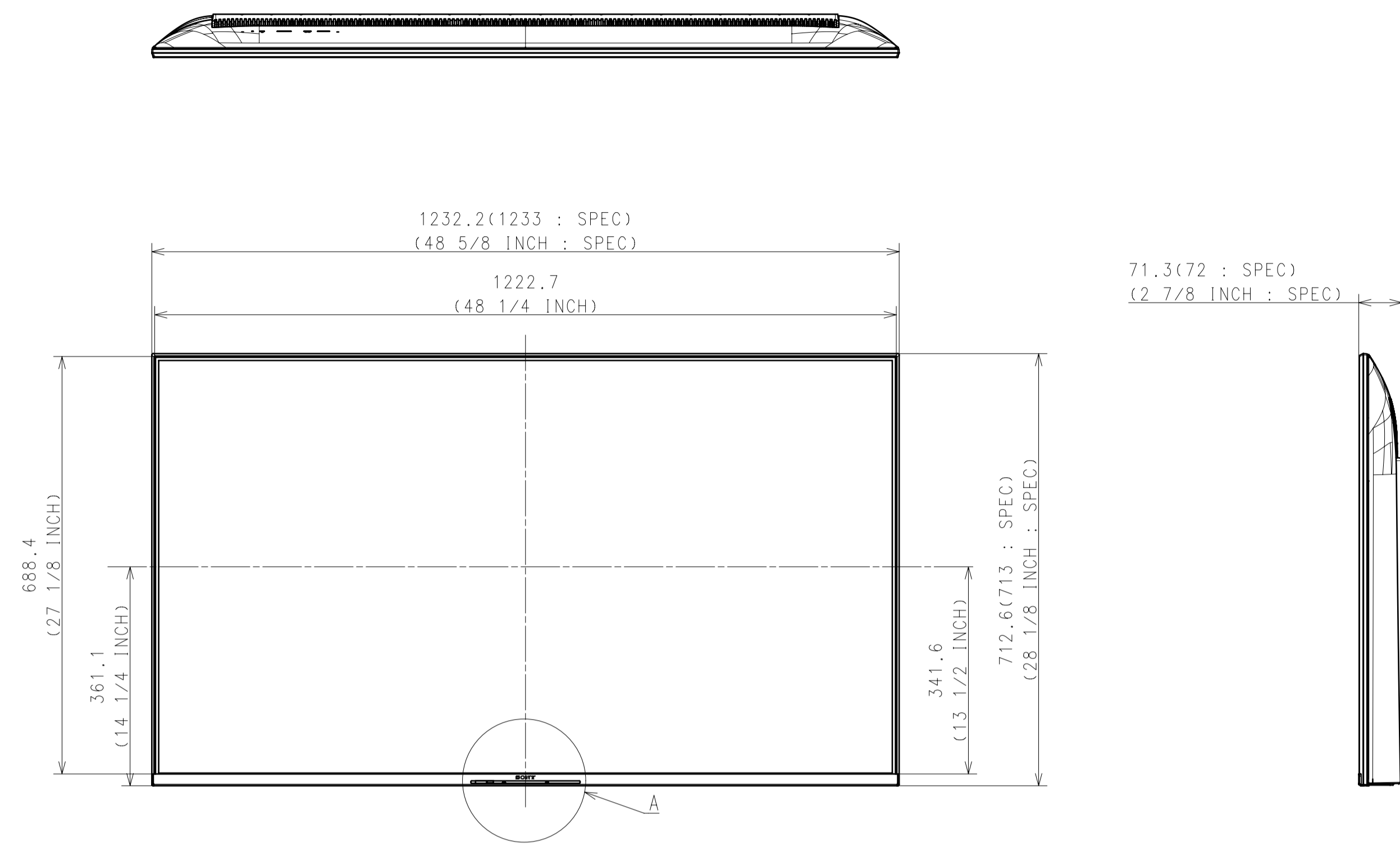
WITH STAND

NARROW POSITION
 KD-55X80L
 (EUROPE Model only)

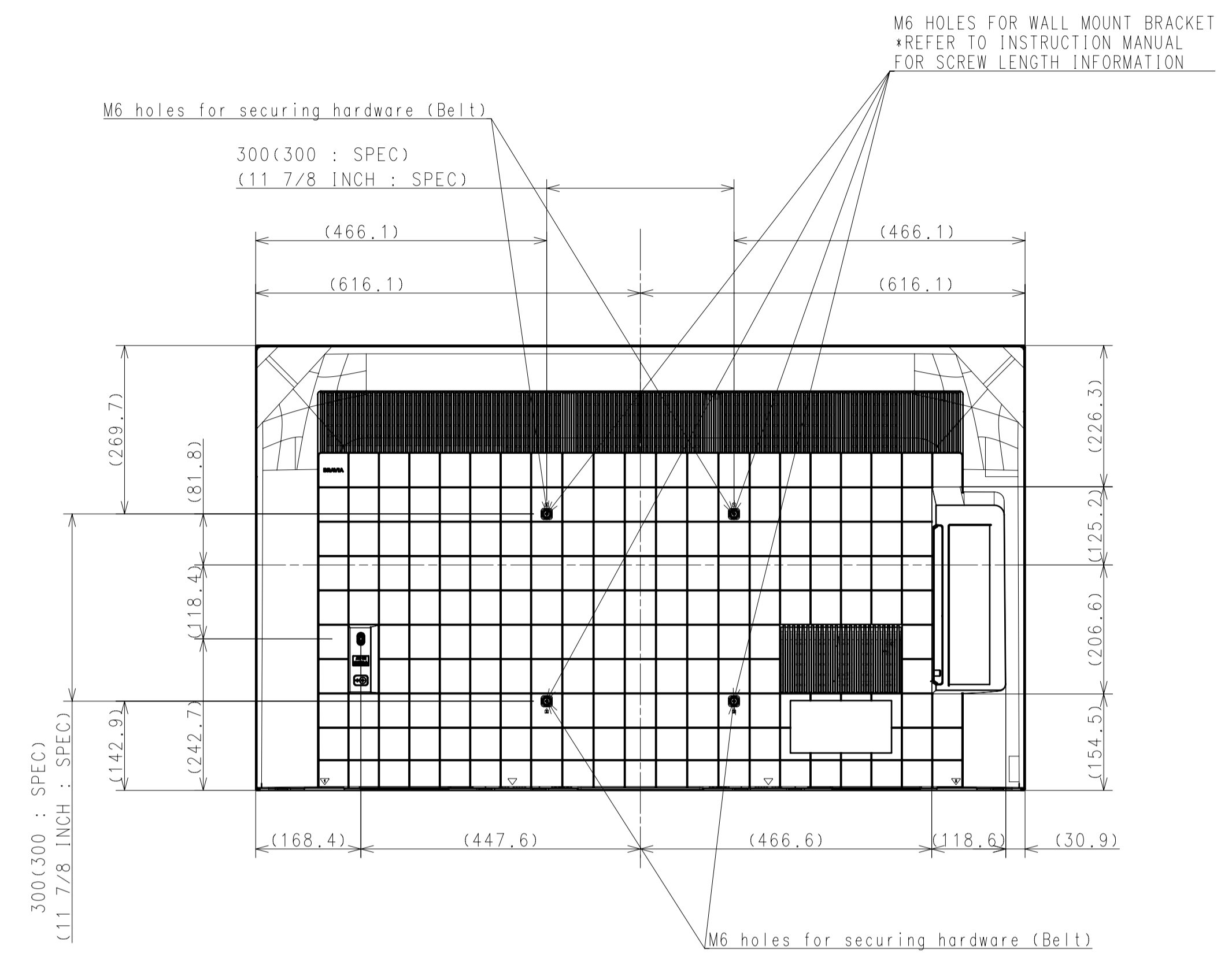


DESCRIPTION	LEGAL OWNER	SCALE
55 (X80L) EXTERIOR VIEW	Sony Corporation	1:7
DESCRIPTION	PART NO.	SHEET/PAGES
55 (X80L) EXTERIOR VIEW		2 / 5

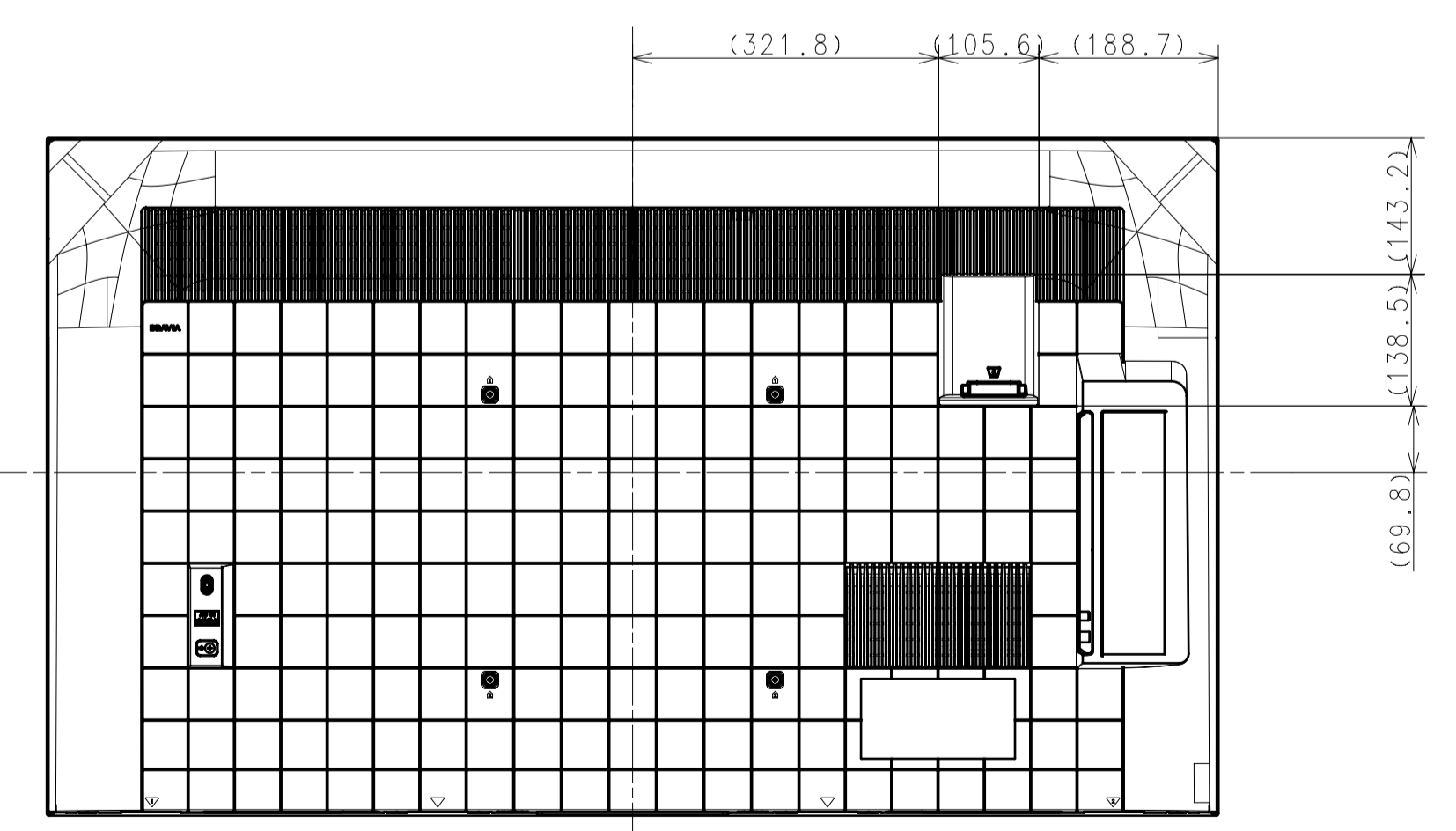
WITHOUT STAND



For. JAPAN



For. GENERAL AREA, CHINA



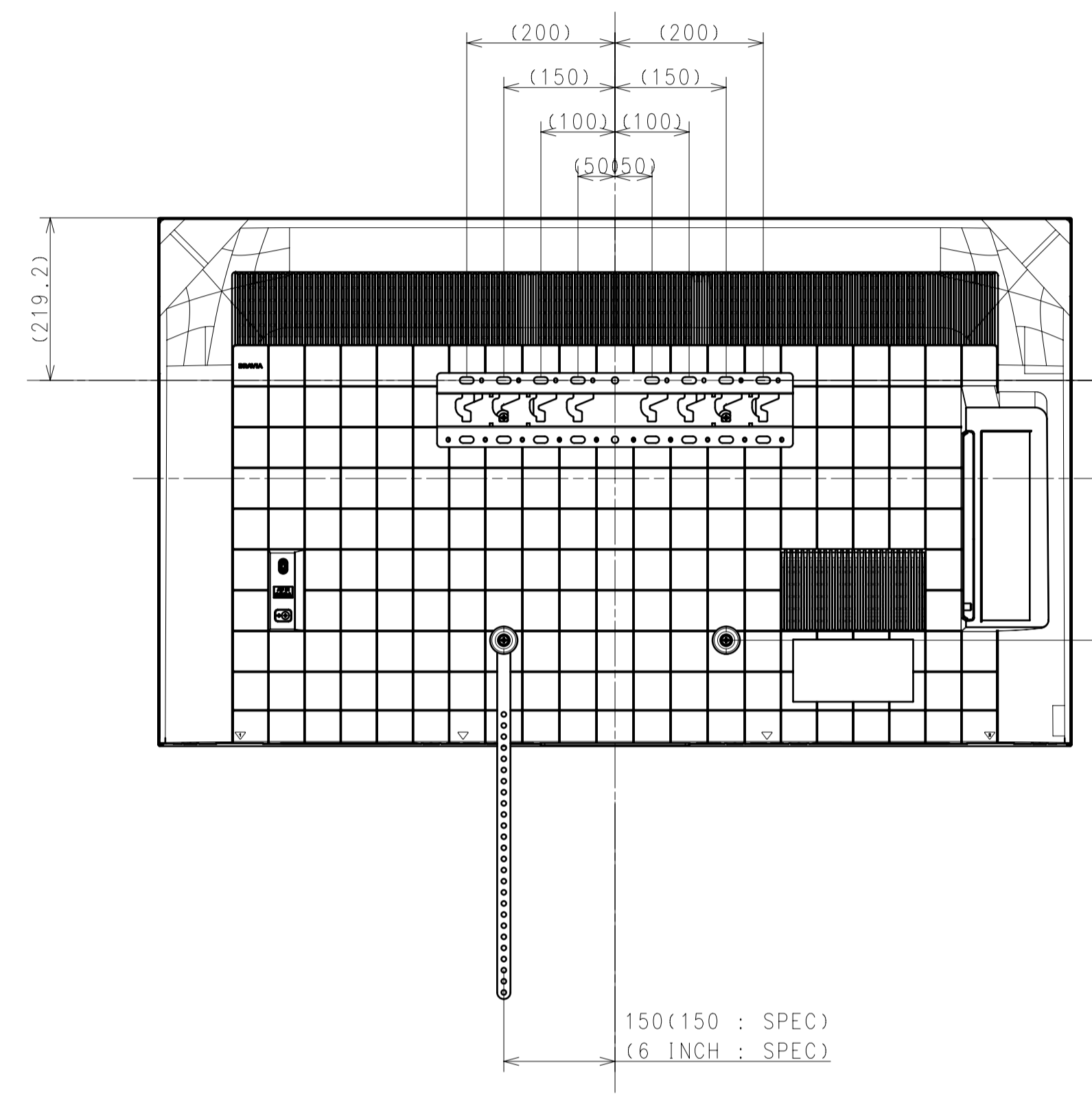
For. EUROPE

DESCRIPTION 55 (X80L) EXTERIOR VIEW	LEGAL OWNER Sony Corporation	SCALE 1:7
DESCRIPTION 55 (X80L) EXTERIOR VIEW	PART NO.	SHEET/PAGES 3 / 5

SU-WL450

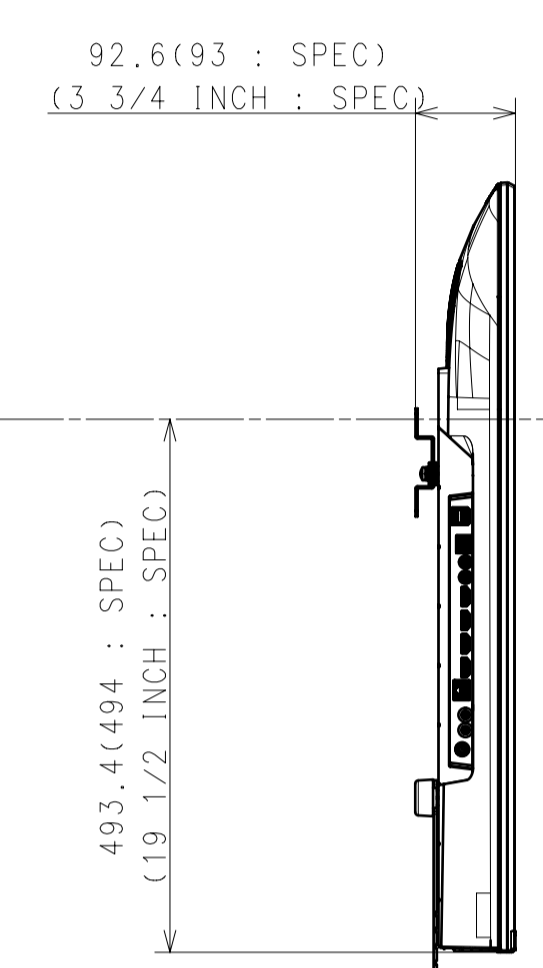
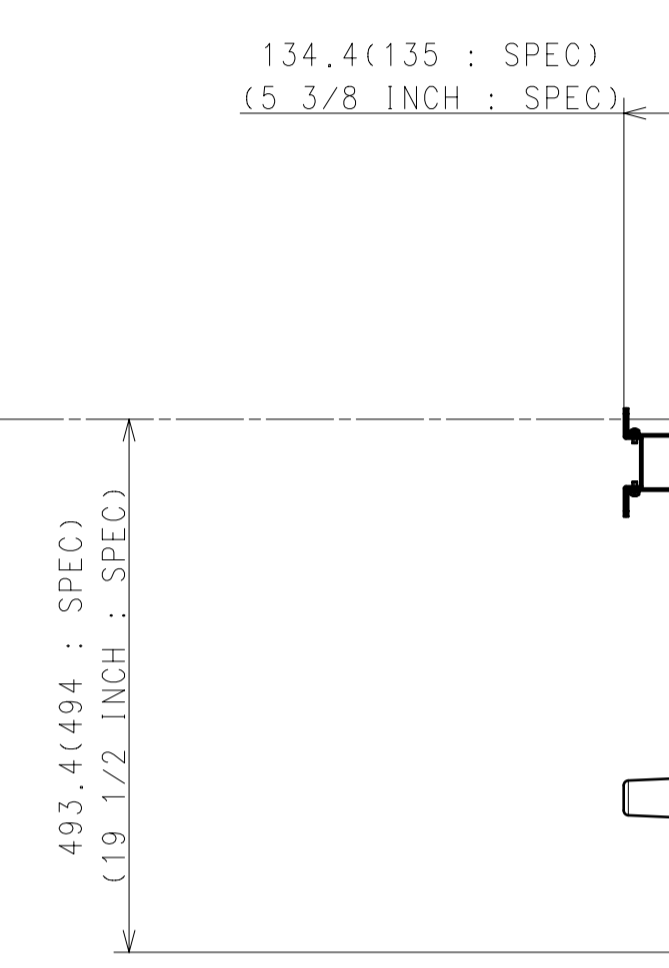
STANDARD

SLIM



132.3(133 : SPEC)
(5.174 INCH : SPEC)

350.5(351 : SPEC)
(13.778 INCH : SPEC)

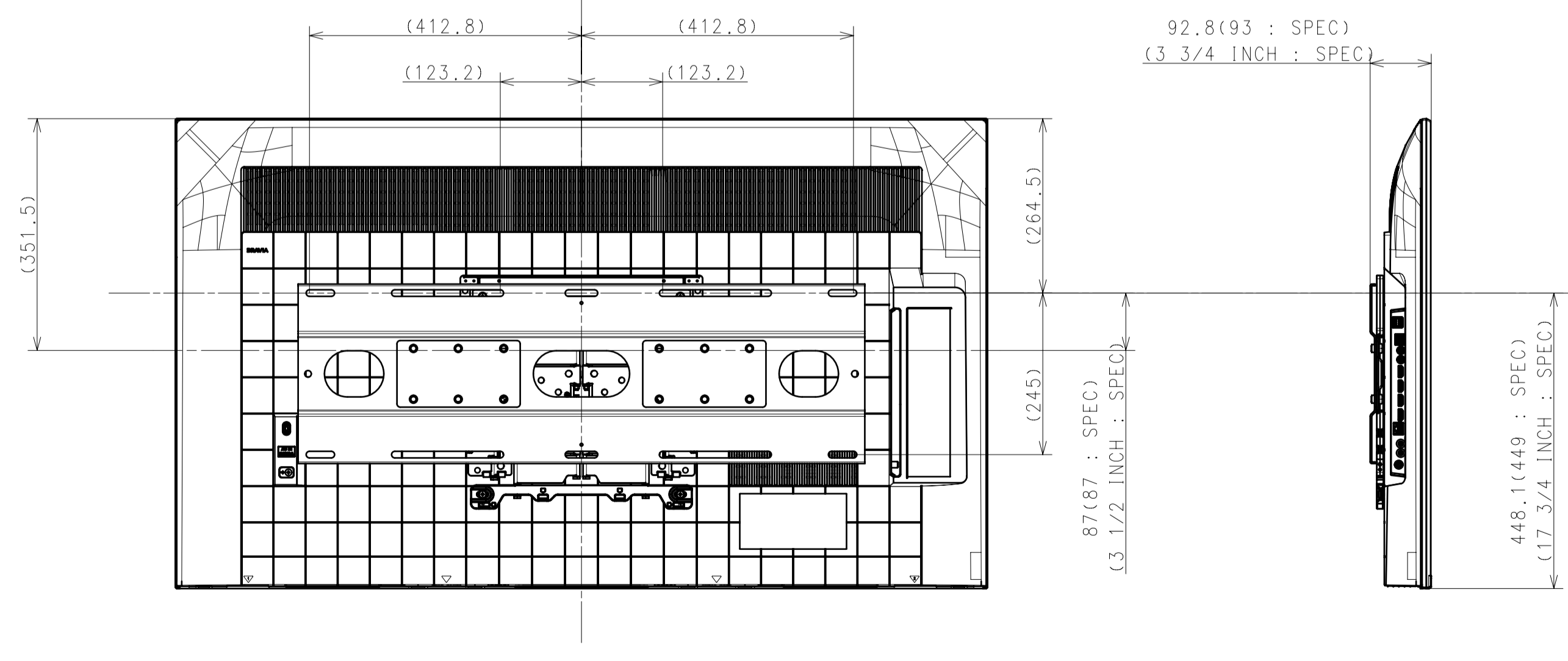
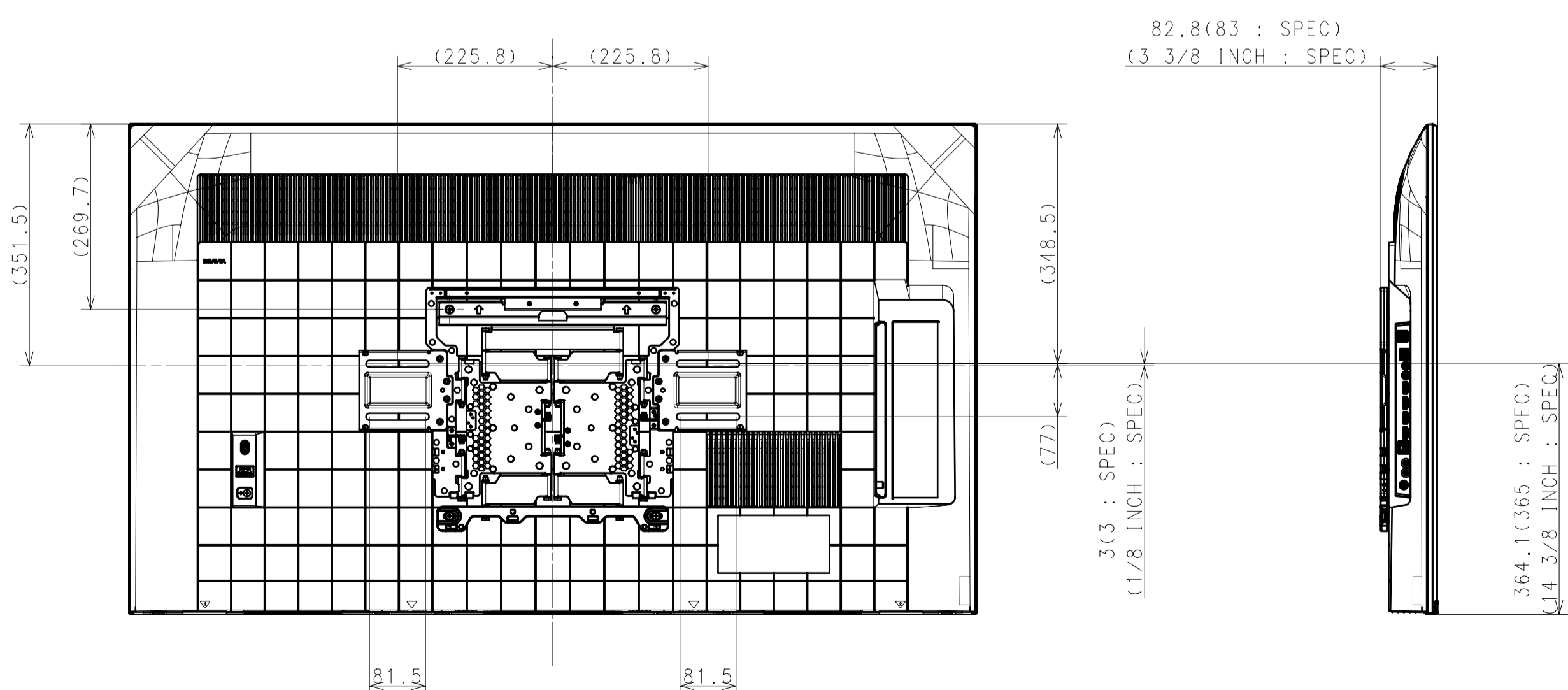
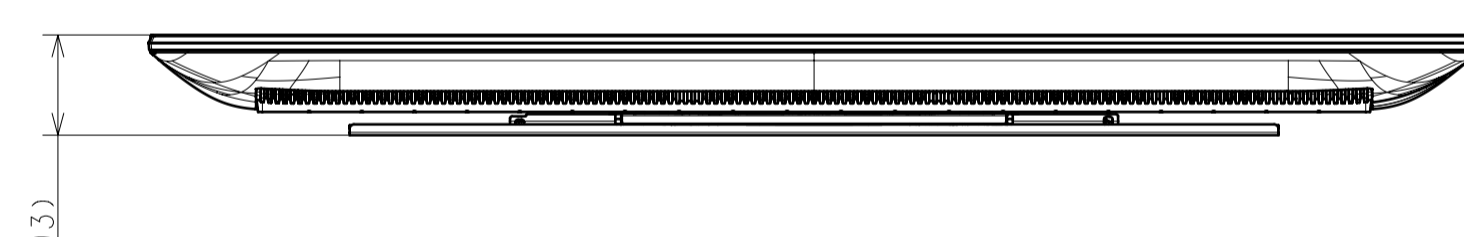
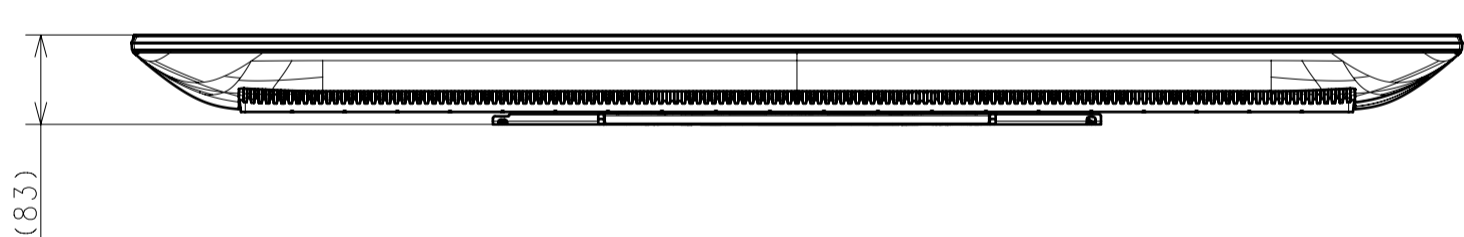
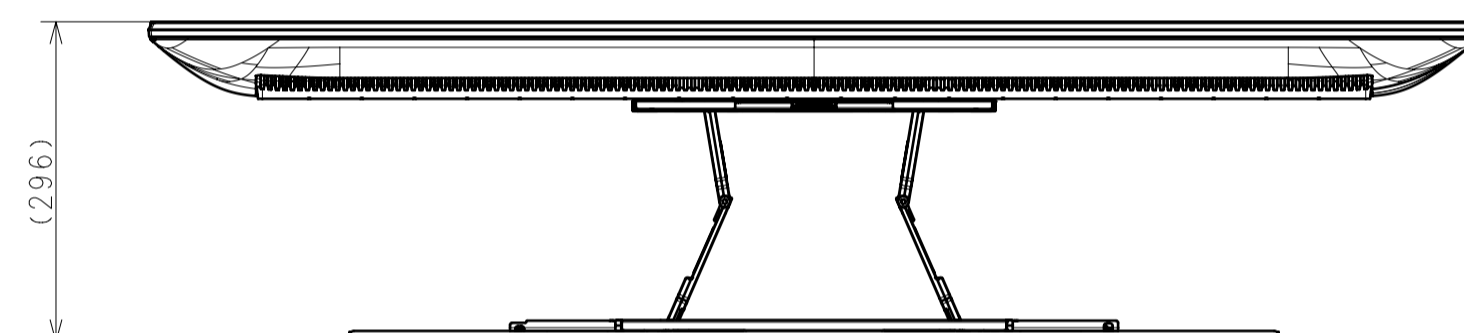
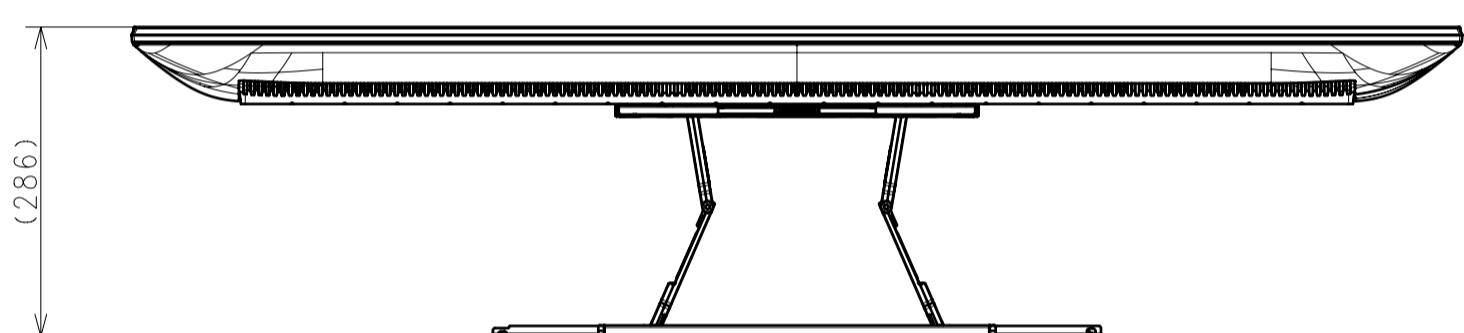
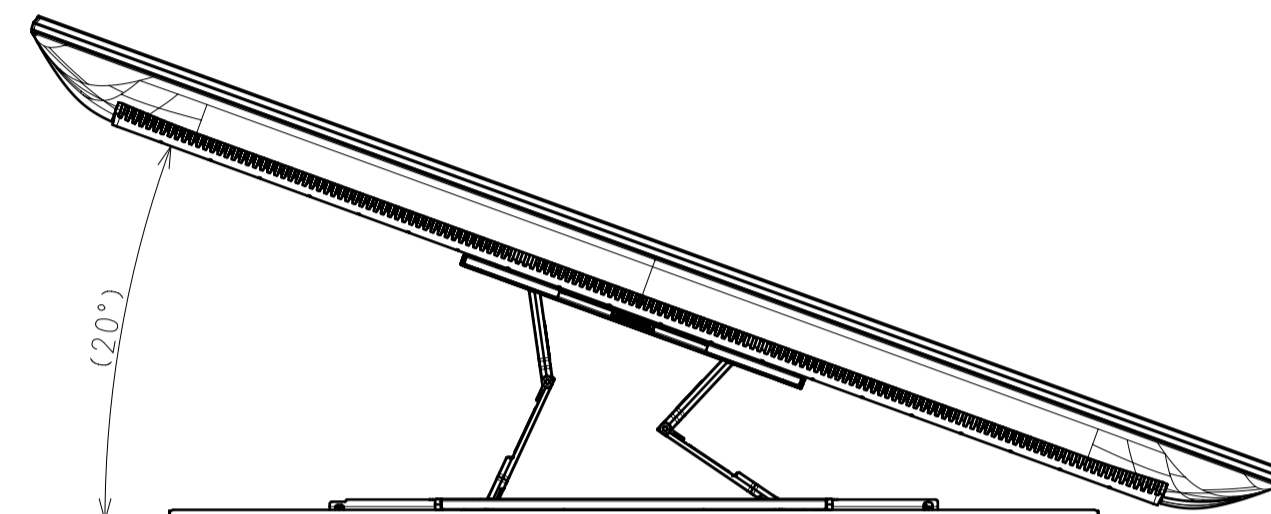
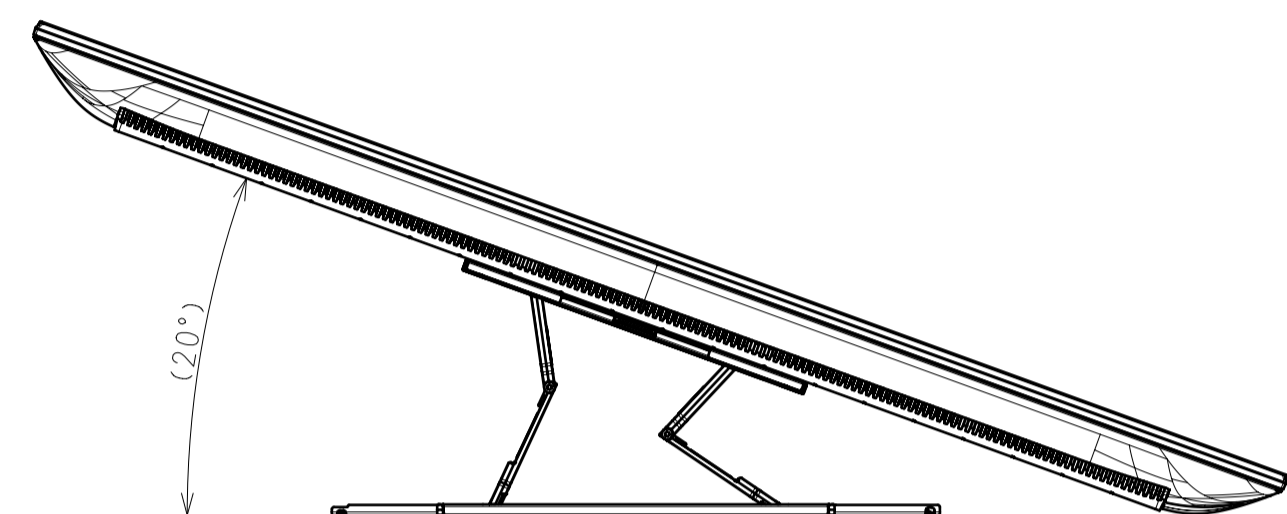
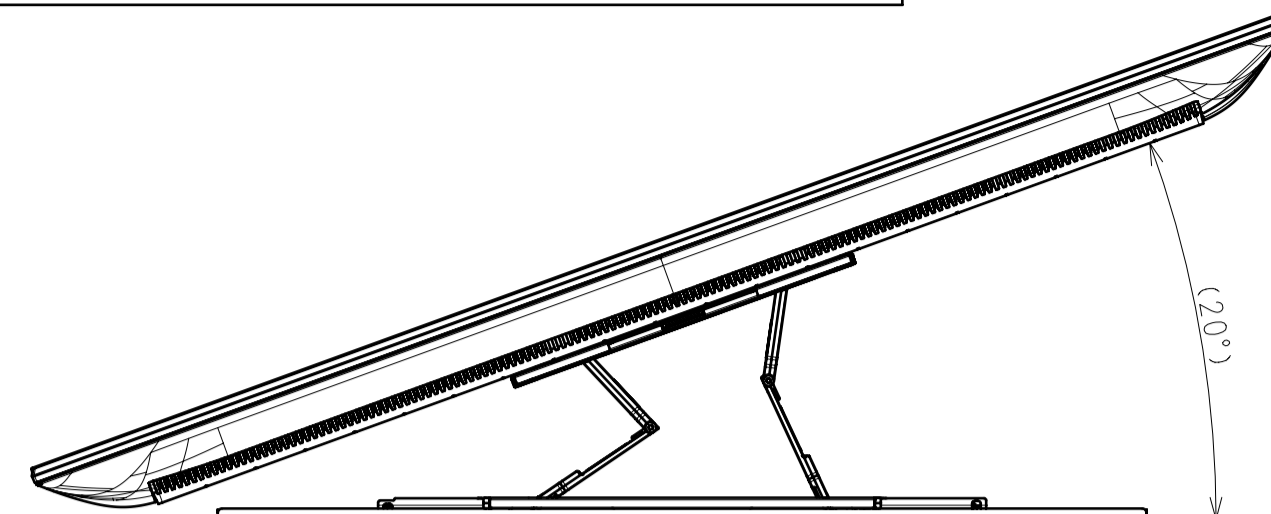
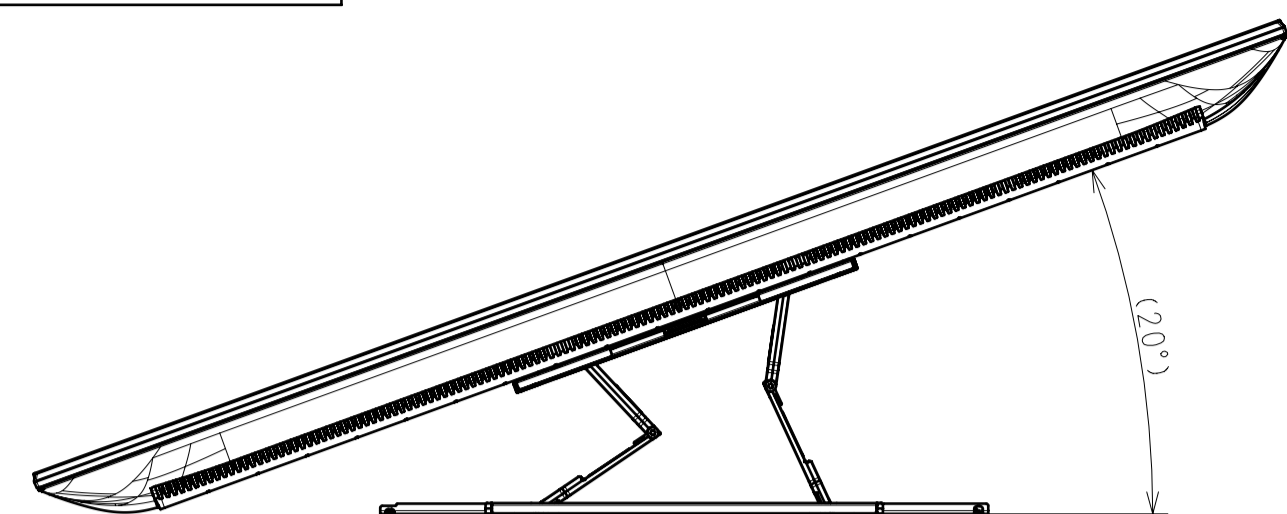


SONY STANDARD

DESCRIPTION	LEGAL OWNER	SCALE
55 (X80L) EXTERIOR VIEW	Sony Corporation	1:7
DESCRIPTION	PART NO.	SHEET/PAGES
55 (X80L) EXTERIOR VIEW		4 / 5

SU-WL 850

SU-WL 855 WITH LATERAL SHAFT BRACKET



DESCRIPTION 1	55 (X80L) EXTERIOR VIEW	LEGAL OWNER	Sony Corporation	SCALE	1:7
DESCRIPTION 2	55 (X80L) EXTERIOR VIEW	PART NO.		SHEET/PAGES	5 / 5