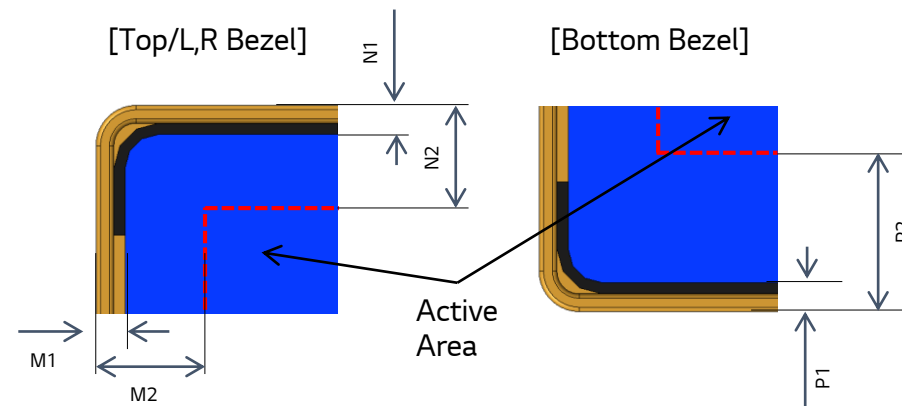
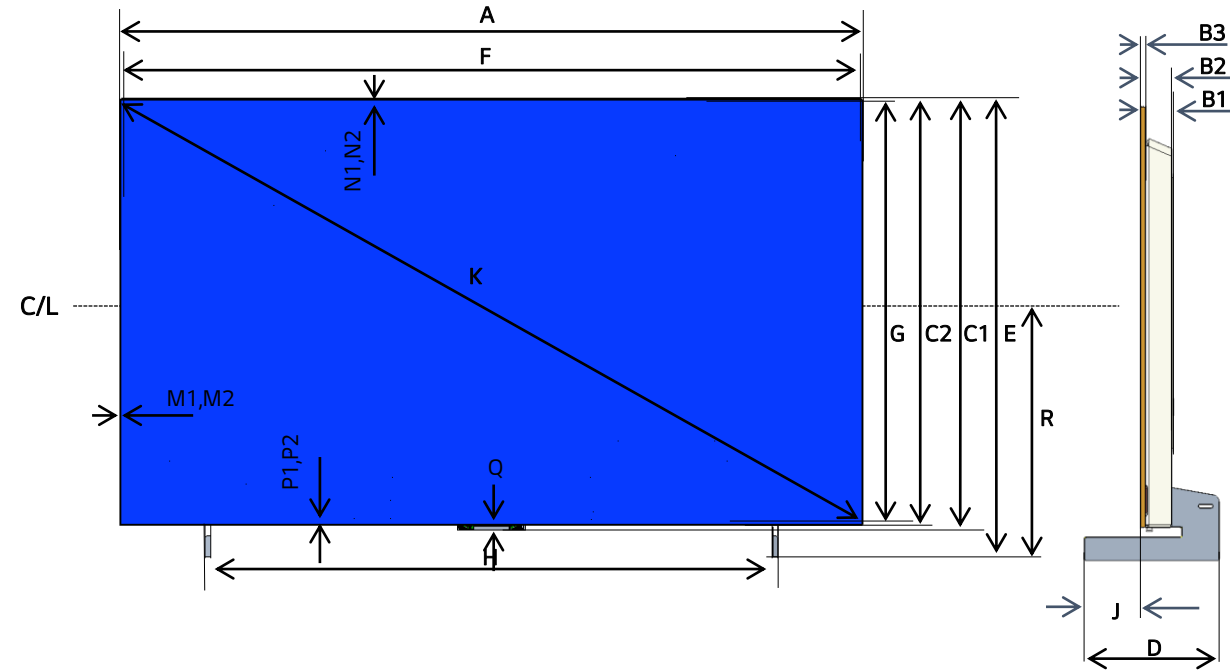


OLED C2 Series
(42/48/55/65/77/83 inch)

2. Line Drawing

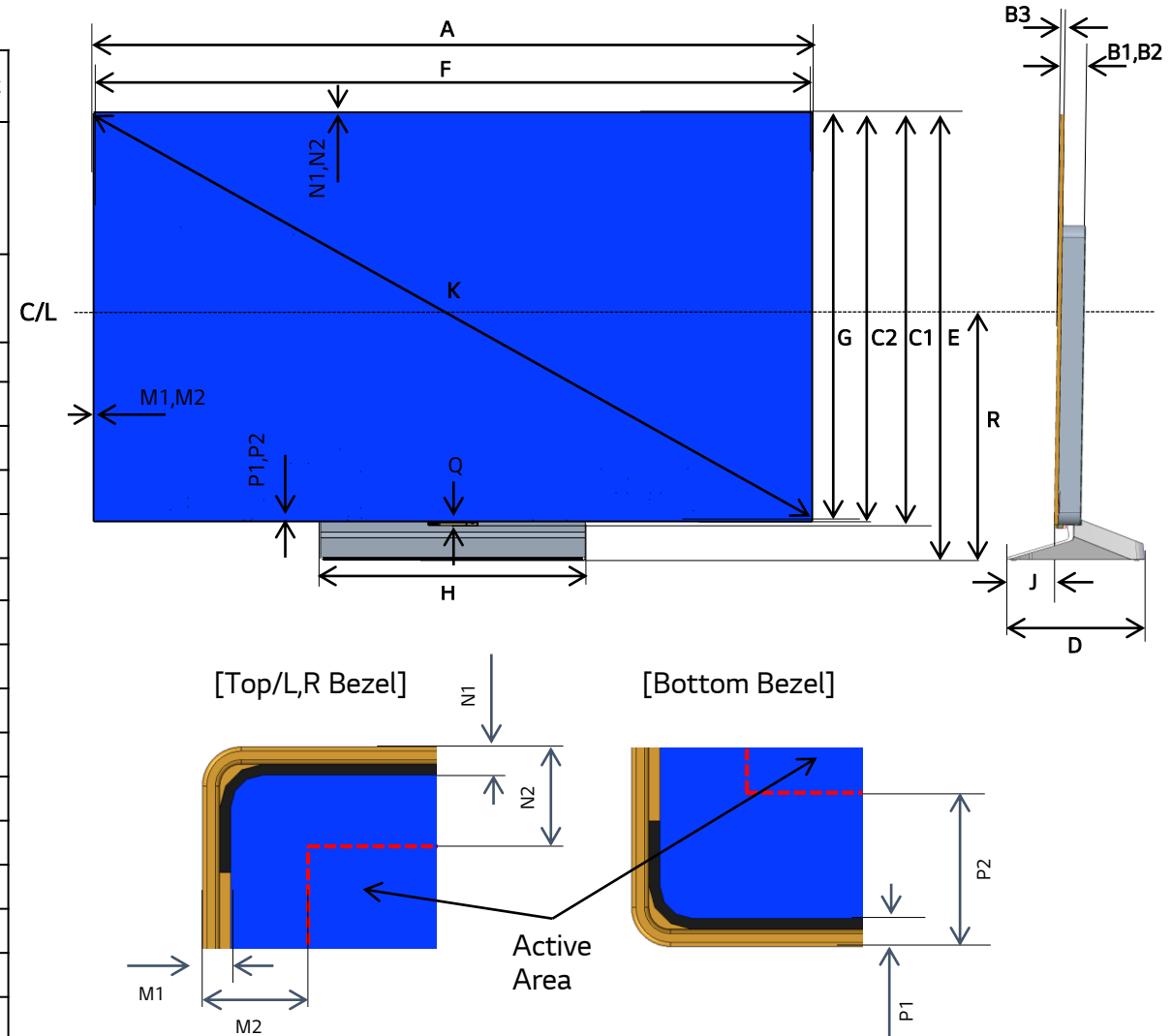
2-1. Front & Side View (42")

FRONT & STAND (UNIT: mm)	42"	Remark
A (Set Width : W)	932	W/O Stand
B1 (Head Speaker Part Depth : D)	41.1	
C1 (Head height, Including protrusion: H)	540	
D (Depth, Including Stand)	170	With Stand
E (Height, Including Stand)	577	
B2 (Head, thickest depth : Wall mount surf.)	41.1	
B3 (Head, slimmest depth)	6.3	
C2 (Head height, Excluding protrusion)	534	
F (Cabinet, inside horizontal length)	930	
G (Cabinet, inside vertical length)	533	
H (Stand, horizontal outer length)	718	
J (Head, front surf. ↔ Stand, front end)	71	
K (Cabinet, inside diagonal length)	1071	
M1 (Set, L/R Off Bezel)	1.3	
M2 (Set, L/R On Bezel)	6.0	
N1 (Set, Top Off Bezel)	1.3	
N2 (Set, Top On Bezel)	6.0	
P1 (Set, Bottom Off Bezel)	1.3	
P2 (Set, Bottom On Bezel)	10.9	
Q (Bottom On Bezel, Including protrusion)	17	
R (Module Center ↔ Stand bottom)	312	



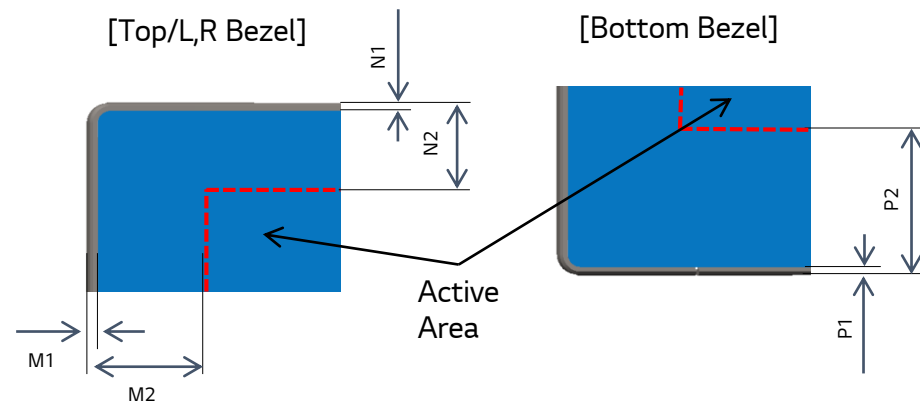
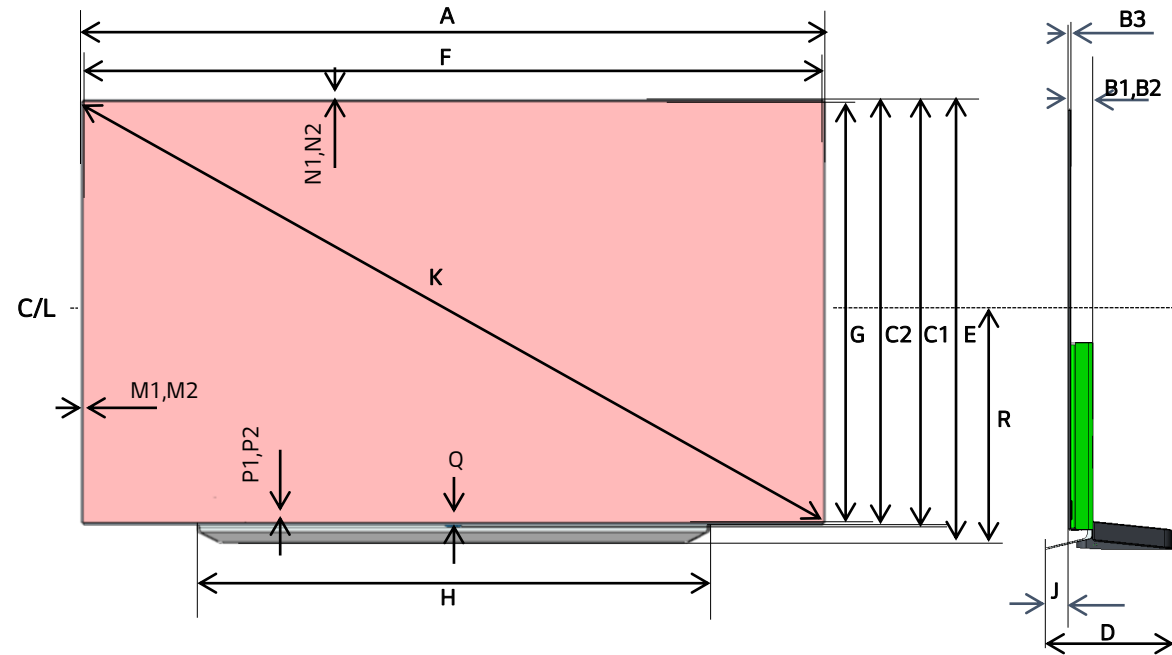
2. Line Drawing 2-2. Front & Side View (55/65/77")

FRONT & STAND (UNIT: mm)	55"	65"	77"	Remark
A (Set Width : W)	1222	1441	1711	W/O Stand
B1 (Head Speaker Part Depth : D)	45.1	45.1	47.1	
C1 (Head height, Including protrusion: H)	703	826	982	
D (Depth, Including Stand)	230	230	267	With Stand
E (Height, Including Stand)	757	880	1035	
B2 (Head, thickest depth : Wall mount surf.)	45.1	45.1	47.1	
B3 (Head, slimmest depth)	6.3	6.3	6.3	
C2 (Head height, Excluding protrusion)	697	820	976	
F (Cabinet, inside horizontal length)	1220	1439	1709	
G (Cabinet, inside vertical length)	696	819	974	
H (Stand, horizontal outer length)	470	470	520	
J (Head, front surf. ↔ Stand, front end)	79	79	97	
K (Cabinet, inside diagonal length)	1404	1655	1967	
M1 (Set, L/R Off Bezel)	1.3	1.3	1.3	
M2 (Set, L/R On Bezel)	6.0	6.0	6.9	
N1 (Set, Top Off Bezel)	1.3	1.3	1.3	
N2 (Set, Top On Bezel)	6.0	6.0	6.8	
P1 (Set, Bottom Off Bezel)	1.3	1.3	1.3	
P2 (Set, Bottom On Bezel)	10.9	10.9	14.3	
Q (Bottom On Bezel, Including protrusion)	17.0	17.0	20.4	
R (Module Center ↔ Stand bottom)	408	470	551	

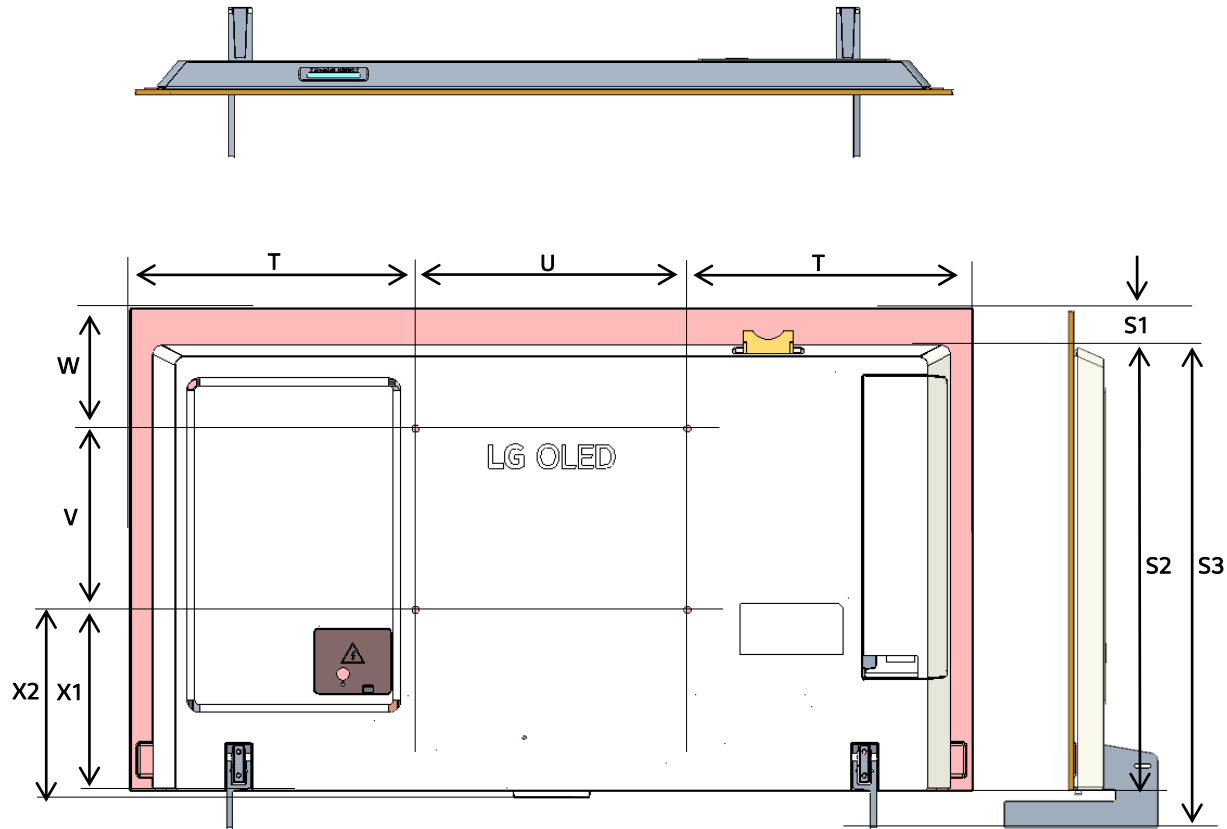


2. Line Drawing 2-3. Front & Side View (48/83")

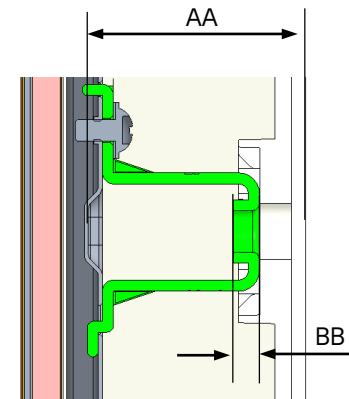
FRONT & STAND (UNIT: mm)	48"	83"	Remark
A (Set Width : W)	1071	1851	W/O Stand
B1 (Head Speaker Part Depth : D)	46.9	55.3	
C1 (Head height, Including protrusion: H)	618	1062	
D (Depth, Including Stand)	251	279	With Stand
E (Height, Including Stand)	650	1092	
B2 (Head, thickest depth : Wall mount surf.)	46.9	55.3	
B3 (Head, slimmest depth)	3.9	7.2	
C2 (Head height, Excluding protrusion)	614	1055	
F (Cabinet, inside horizontal length)	1066	1845	
G (Cabinet, inside vertical length)	608	1050	
H (Stand, horizontal outer length)	838	1199	
J (Head, front surf. ↔ Stand, front end)	45	63	
K (Cabinet, inside diagonal length)	1225	2122	
M1 (Set, L/R Off Bezel)	3.3	3.3	
M2 (Set, L/R On Bezel)	9.2	12.1	
N1 (Set, Top Off Bezel)	3.3	3.3	
N2 (Set, Top On Bezel)	9.2	12.0	
P1 (Set, Bottom Off Bezel)	3.3	3.3	
P2 (Set, Bottom On Bezel)	12.9	16.0	
Q (Bottom On Bezel, Including protrusion)	19.0	22.1	
R (Module Center ↔ Stand bottom)	345	565	



2. Line Drawing 2-4. Back & Side View (42")

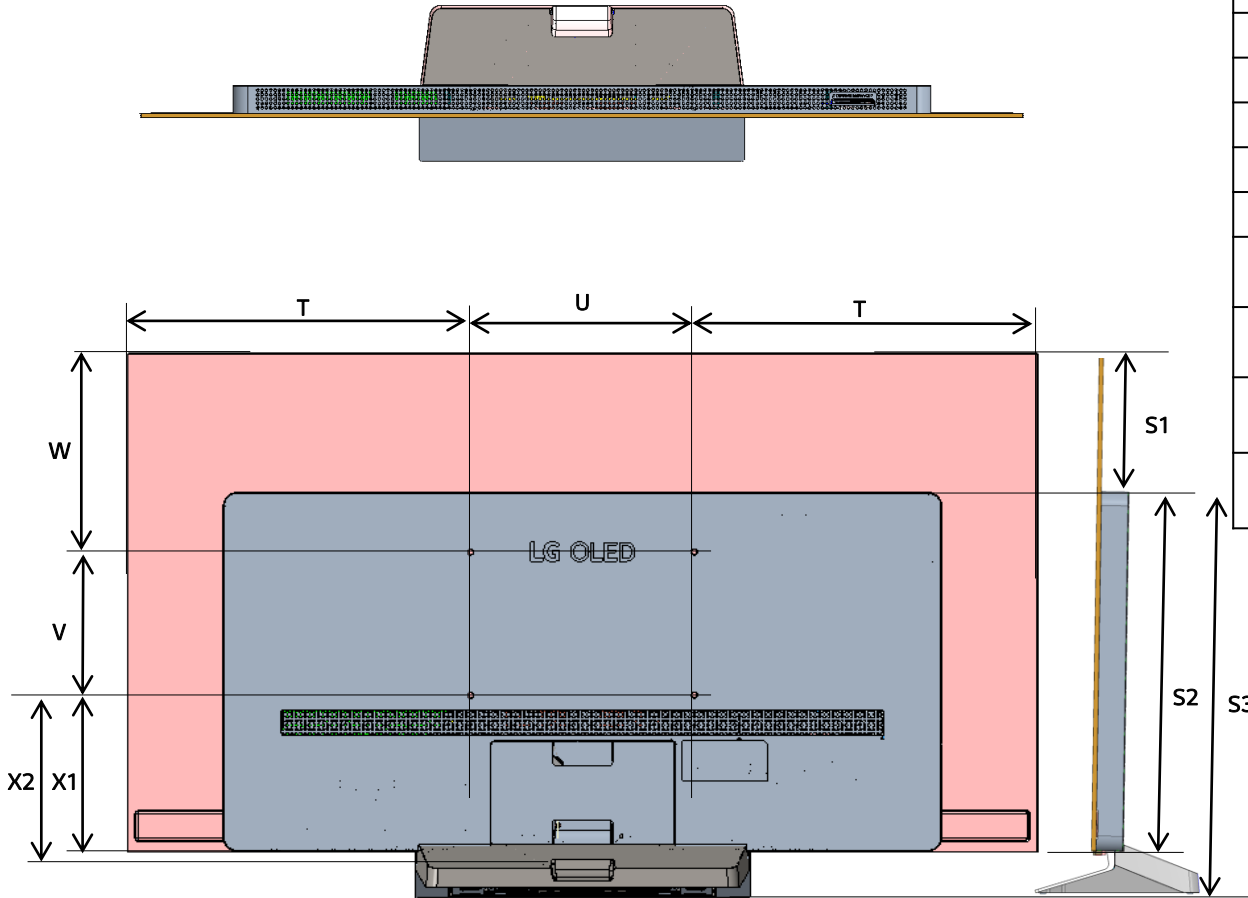


BACK (UNIT: mm)	42"
S1 (B/C Top ↔ Set Top)	41
S2 (B/C Top ↔ Set Bottom)	493
S3 (B/C Top ↔ Stand Bottom)	535
T (Set Out ↔ Wall mount hole)	316
U (Wall mount Top Width)	300
V (Wall mount Height)	200
W (Set Top ↔ Wall mount hole)	134
X1 (Set Bottom ↔ Wall mount hole)	201
X2 (Set Max Bottom ↔ Wall mount hole)	207
AA (Wall mount Point Depth (Including B/C Thickness))	29
BB (VESA Bracket, Screw tap depth)	3.9

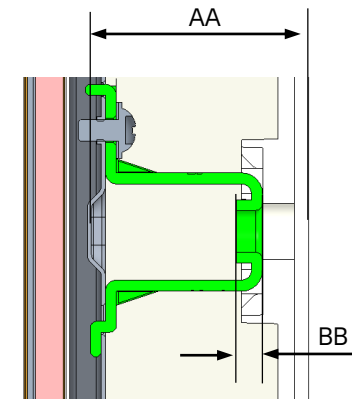


2. Line Drawing

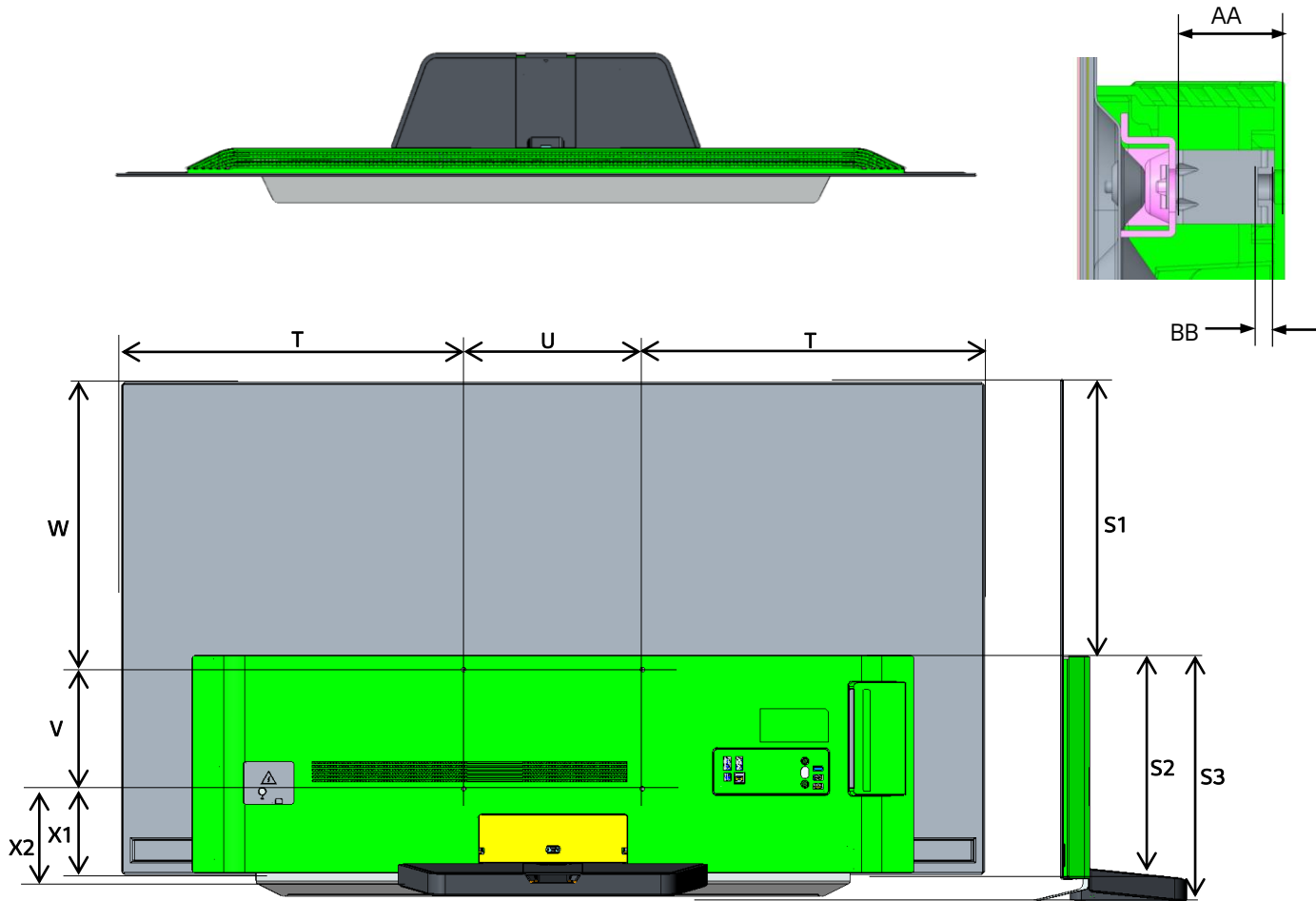
2-5. Back & Side View (55"/65"/77")



BACK (UNIT: mm)	55"	65"	77"
S1 (B/C Top ↔ Set Top)	194	317	352
S2 (B/C Top ↔ Set Bottom)	503	503	624
S3 (B/C Top ↔ Stand Bottom)	563	563	683
T (Set Out ↔ Wall mount hole)	461	570	706
U (Wall mount Top Width)	300	300	300
V (Wall mount Height)	200	200	200
W (Set Top ↔ Wall mount hole)	278	401	439
X1 (Set Bottom ↔ Wall mount hole)	220	220	337
X2 (Set Max Bottom ↔ Wall mount hole)	226	226	343
AA (Wall mount Point Depth (Including B/C Thickness))	35	35	35
BB (VESA Bracket, Screw tap depth)	3.9	3.9	3.9

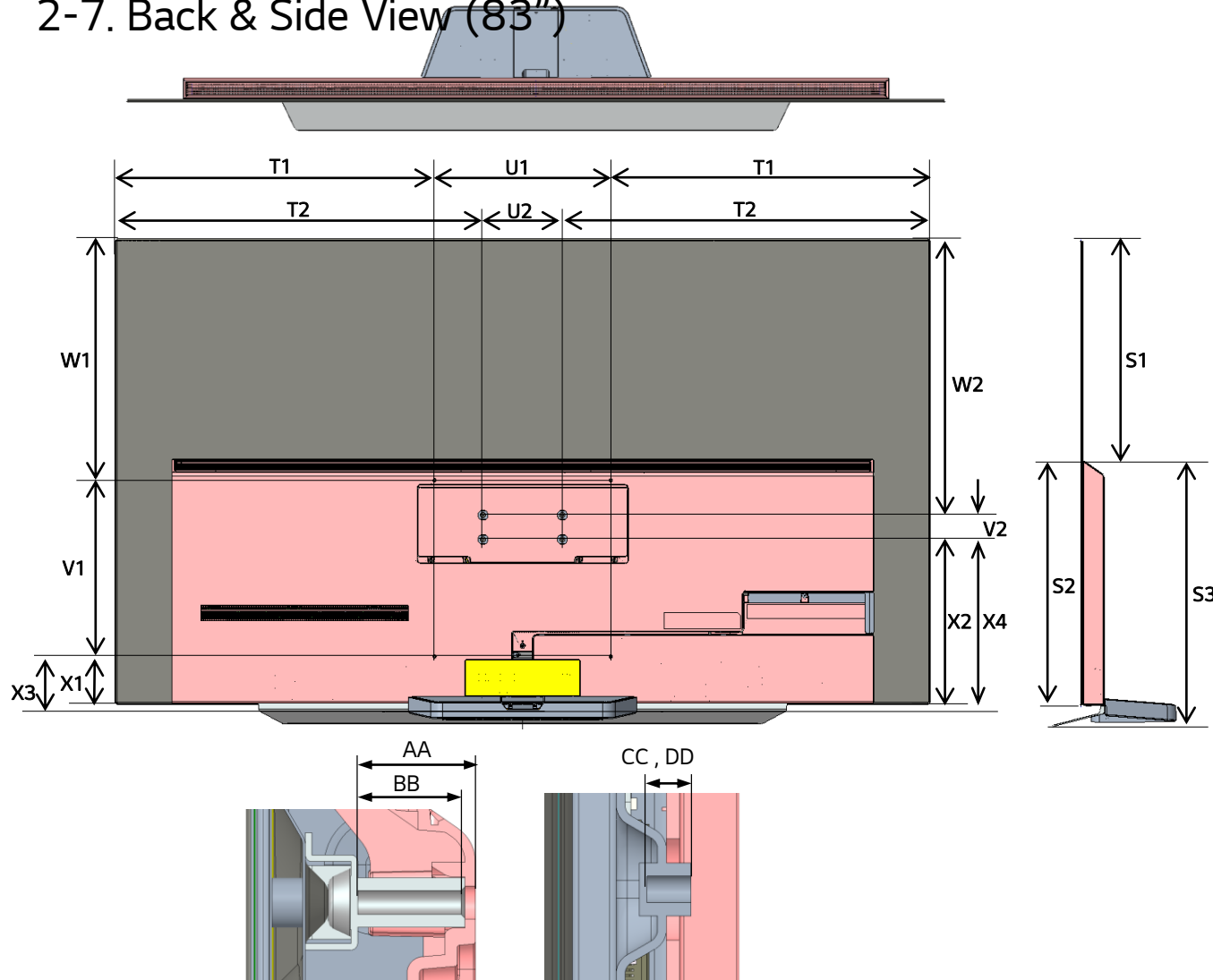


2. Line Drawing 2-6. Back & Side View (48")



BACK (UNIT: mm)	48"
S1 (B/C Top ↔ Set Top)	245
S2 (B/C Top ↔ Set Bottom)	369
S3 (B/C Top ↔ Stand Bottom)	406
T (Set Out ↔ Wall mount hole)	386
U (Wall mount Top Width)	300
V (Wall mount Height)	200
W (Set Top ↔ Wall mount hole)	269
X1 (Set Bottom ↔ Wall mount hole)	144
X2 (Set Max Bottom ↔ Wall mount hole)	160
AA (Wall mount Point Depth (Including B/C Thickness))	24.9
BB (VESA Bracket, Screw tap depth)	3.8

2. Line Drawing 2-7. Back & Side View (83")

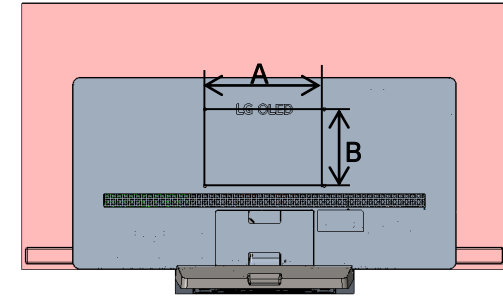


BACK (UNIT: mm)	83"
S1 (B/C Top ↔ Set Top)	500
S2 (B/C Top ↔ Set Bottom)	556
S3 (B/C Top ↔ Stand Bottom)	592
T1 (Set Out ↔ Wall mount hole)	725
T2 (Set Out ↔ Closed Wall mount hole)	835
U1 (Wall mount Top Width)	400
U2 (Closed Wall mount Top Width)	180
V1 (Wall mount Height)	400
V2 (Closed Wall mount Height)	55
W1 (Set Top ↔ Wall mount hole)	547
W2 (Set Top ↔ Closed Wall mount hole)	626
X1 (Set Bottom ↔ Wall mount hole)	108
X2 (Set Bottom ↔ Closed Wall mount hole)	374
X3 (Set Max Bottom ↔ Wall mount hole)	114
X4 (Set Max Bottom ↔ Closed Wall mount hole)	380
AA (Wall mount Point Depth, Including B/C Thickness)	17.5
BB (VESA Bracket, Screw tap depth)	15.0
CC (Closed Wall mount Point Depth, Including B/C Thickness)	9.0
DD (Closed Wall Bracket, Screw tap depth)	9.0

3. Accessories

3-3-1. Wall mount

Inch	VESA (A*B mm)
42"	300*200
48"	300*200
55"	300*200
65"	300*200
77"	300*200
83"	400*400



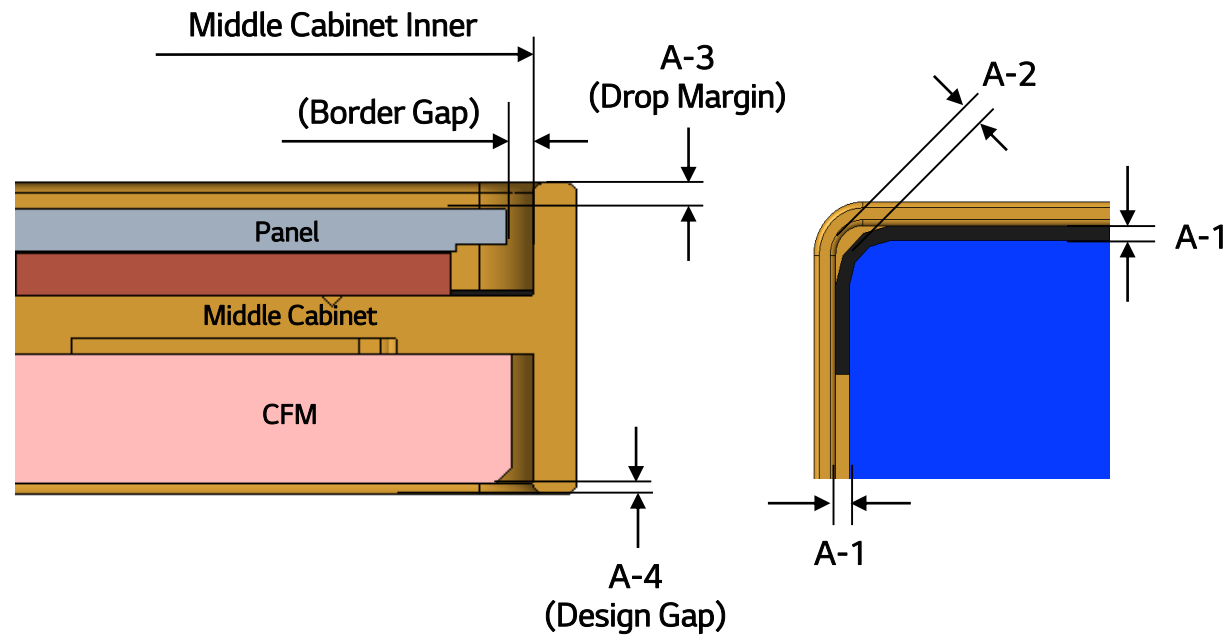
3-3-2. Wall mount (Use only wall closed Bracket)

Inch	Screws distance (A*B mm)
83"	180*55mm

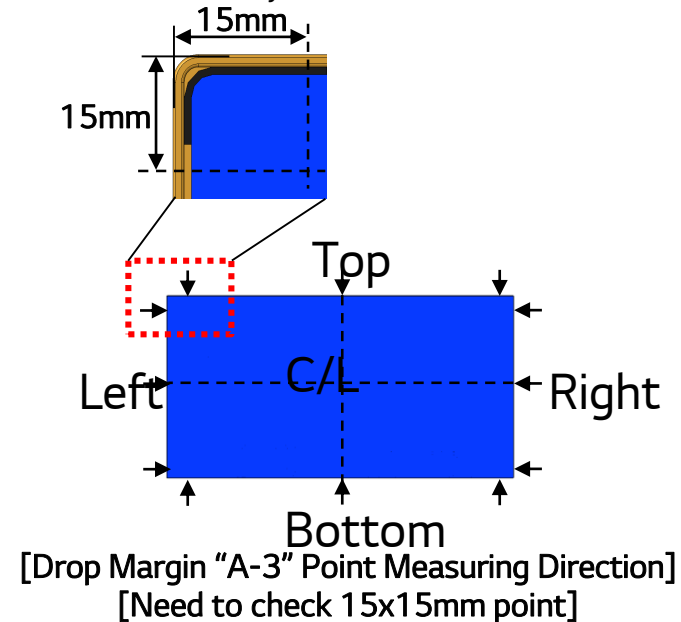
6. Mechanical Special Appearance Control Spec

6-1-1. Panel & Module cover gap spec. (C2 Tool, 42/55/65/77")

구역	Spec.	Design Gap	Remark
A-1	$0 \leq A-1 \leq 1.2$	0.5mm	Module cover ↔ Panel Gap (All round)
A-2	$0.2 \leq A-2 \leq 1.5$	42/55/65/77" : 0.9mm	Module cover ↔ Panel Gap (4points Corner)
A-3	$0 \leq A-3 \leq 1.3$	△5 42/55/65/77" : 0.7mm	Module cover ↔ Panel, Front step (Below 8points)
A-4	△5 $0 \leq A-4 \leq 0.8$	42/55/65/77" : 0.5mm	Middle Cabinet ↔ CFM step (All round)
Etc.	△Max 1.2 (Only A-1)		



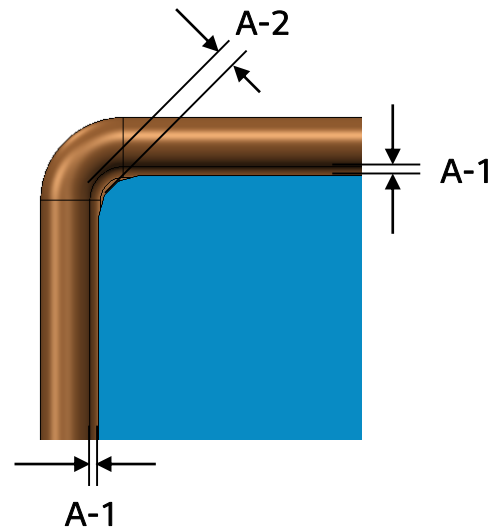
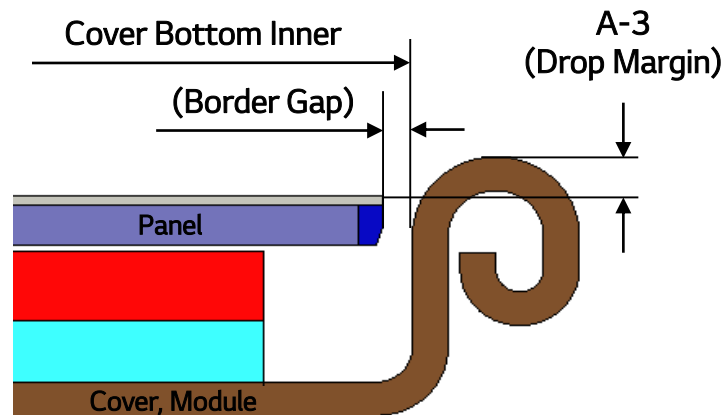
* Δt management standard should be noted gap that can be visually confirmed from the front.



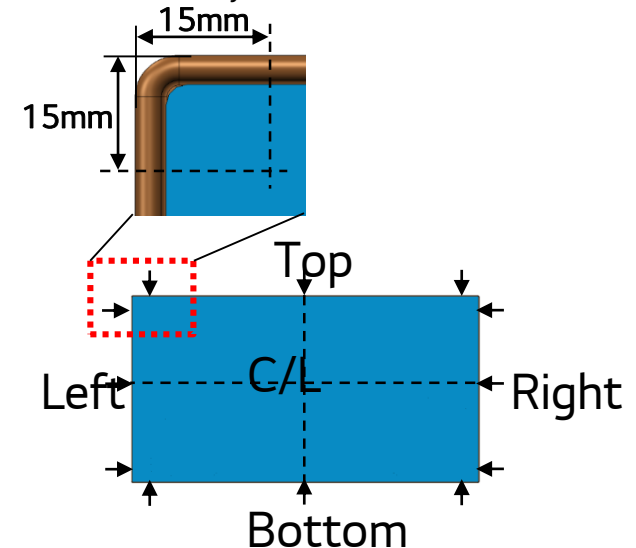
6. Mechanical Special Appearance Control Spec

6-1-2. Panel & Module cover gap spec. (CX,C1 Tool, 48/83")

구역	Spec.	Design Gap	Remark
A-1	$0 \leq A-1 \leq 1.2$	0.5mm	Module cover ↔ Panel Gap (All round)
A-2	$0.2 \leq A-2 \leq 1.5$	48/83" : 0.9mm	Module cover ↔ Panel Gap (4points Corner)
A-3	$0.4 \leq A-3 \leq 1.5$	48" : 0.9mm 83" : 1.1mm	Module cover ↔ Panel, Front step (Below 8points)
Etc.	ΔMax 1.2		



* Δt management standard should be noted gap that can be visually confirmed from the front.

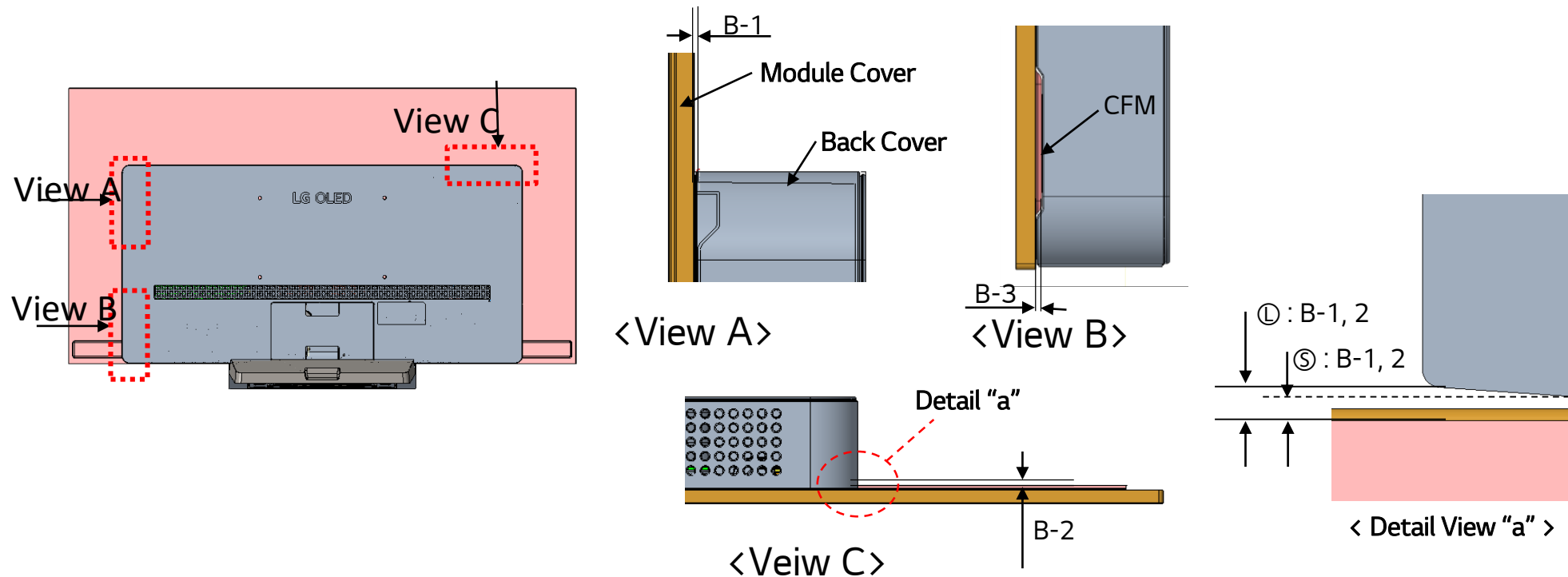


[Drop Margin "A-3" Point Measuring Direction]
[Need to check 15x15mm point]

6. Mechanical Special Appearance Control Spec

6-2-1. Back cover + Module cover (42/55/65/77")

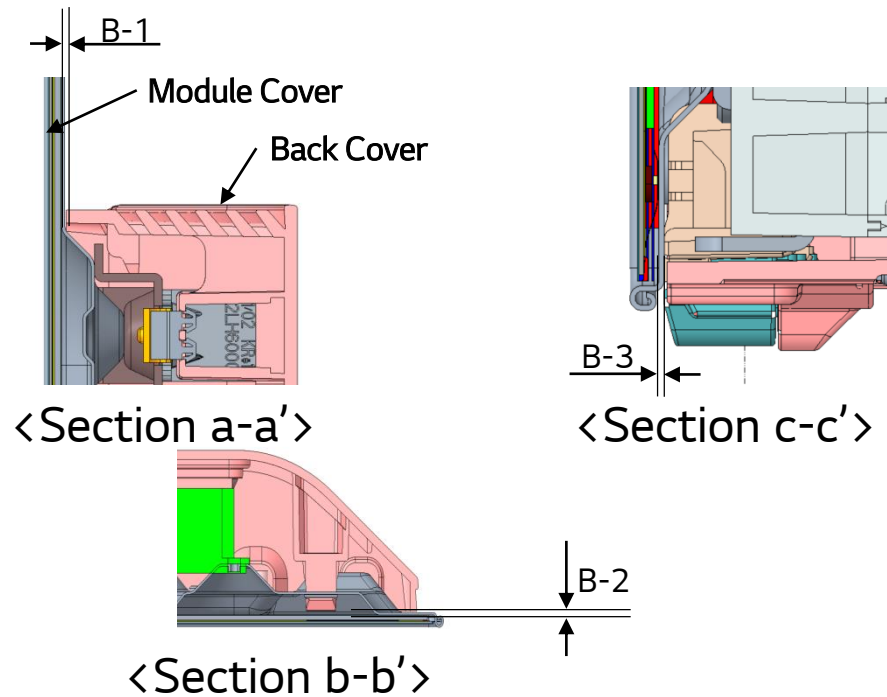
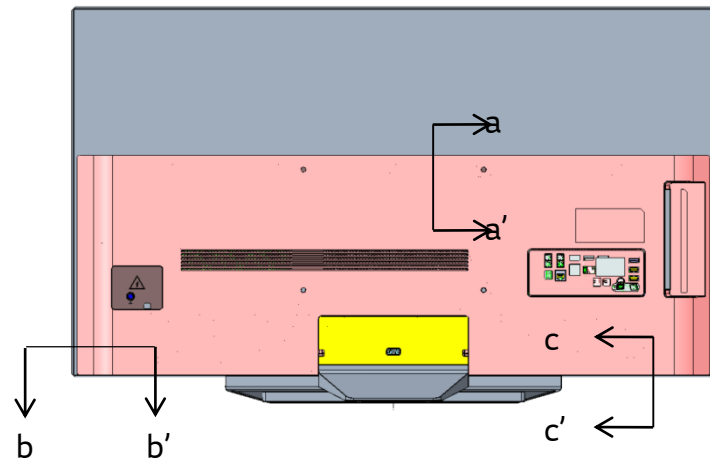
구역	Spec.	Design Gap	Remark
△ B-1	$0 \leq B-1 \leq 1.2$ ($\Delta 1.0\text{mm}$)	0.4mm	Module cover ↔ Back cover Gap (Top)
△ B-2	$0 \leq B-2 \leq 1.2$ ($\Delta 1.0\text{mm}$)	0.4mm	Module cover ↔ Back cover Gap (Side)
B-3	$0 \leq B-3 \leq 1.5$	0.4mm	Module cover ↔ Back cover Gap (Bottom)



6. Mechanical Special Appearance Control Spec

6-2-2. Back cover + Module cover (48")

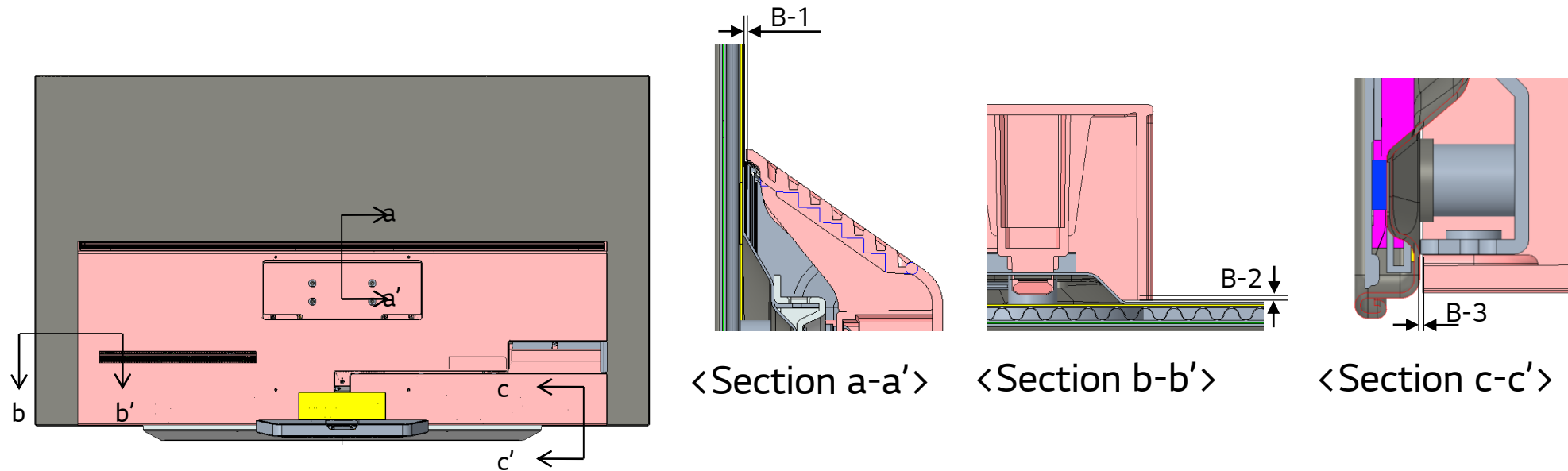
구역	Spec.	Design Gap	Remark
B-1	$0 \leq B-1 \leq 1.0$	0.3mm	Module cover ↔ Back cover Gap (Top)
B-2	$0 \leq B-2 \leq 1.0$ ($\Delta 0.8\text{mm}$)	0.3mm	Module cover ↔ Back cover Gap (Side)
B-3	$0 \leq B-3 \leq 1.5$	0.3mm	Module cover ↔ Back cover Gap (Bottom)



6. Mechanical Special Appearance Control Spec

6-2-3. Back cover + Module cover (83")

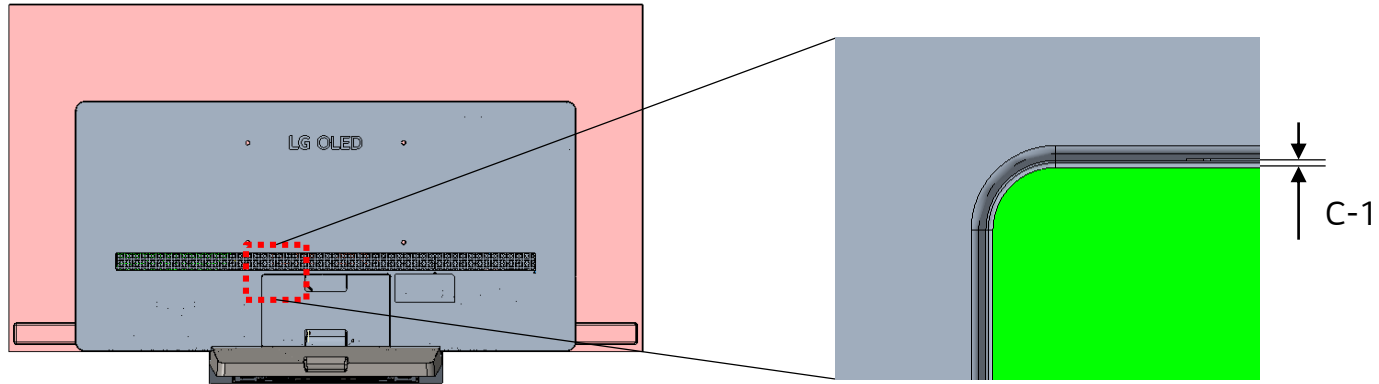
구역	Spec.	Design Gap	Remark
B-1	$0 \leq B-1 \leq 1.0$ ($\Delta 0.8\text{mm}$)	0.3mm	Module cover ↔ Back cover Gap (Top)
B-2	$0 \leq B-2 \leq 1.0$ ($\Delta 0.8\text{mm}$)	0.3mm	Module cover ↔ Back cover Gap (Side)
B-3	$0 \leq B-3 \leq 1.5$	0.3mm	Module cover ↔ Back cover Gap (Bottom)



6. Mechanical Special Appearance Control Spec

6-3-1. Stand cover + Module cover (55/65/77")

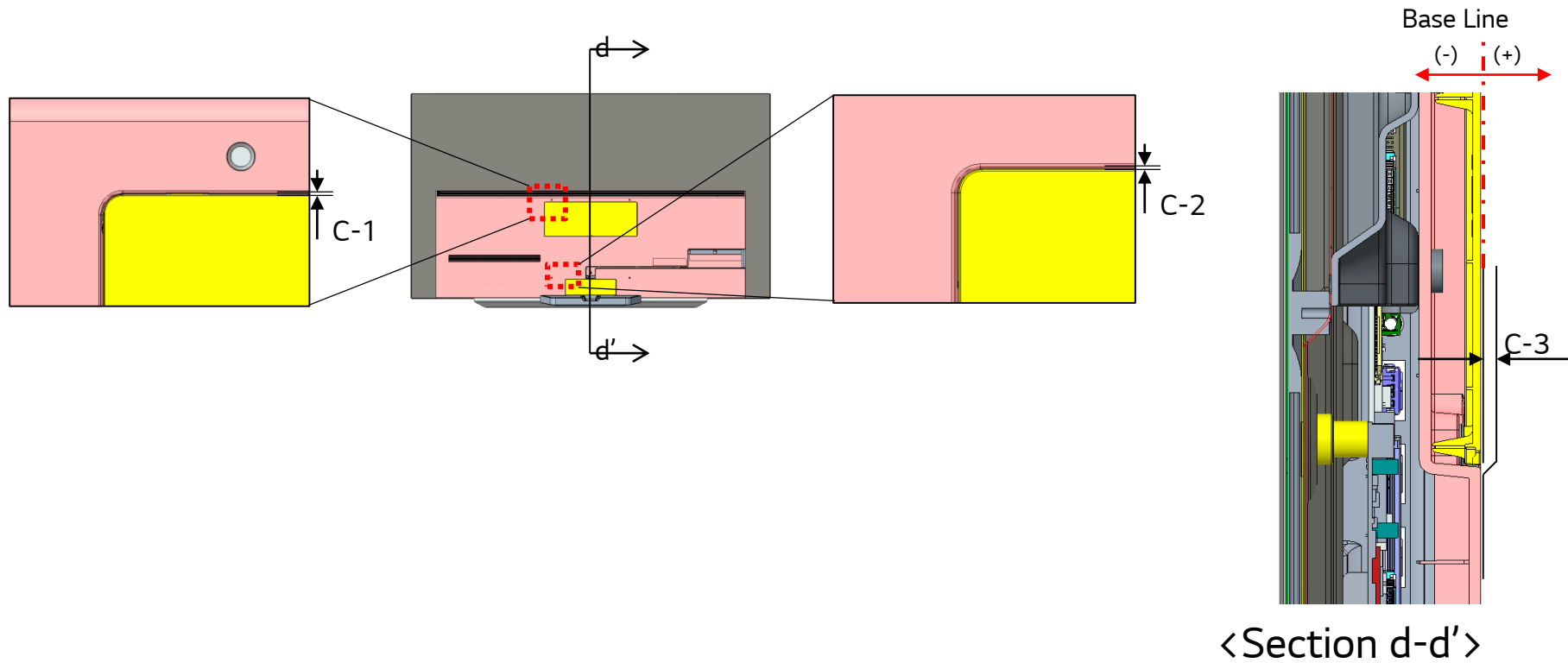
구역	Spec.	Design Gap	Remark
C-1	$0 \leq C-1 \leq 1.0$	0.5mm	Stand Small cover ↔ Back cover Gap (All around)



6. Mechanical Special Appearance Control Spec

6-3-2. Stand cover + Module cover (83")

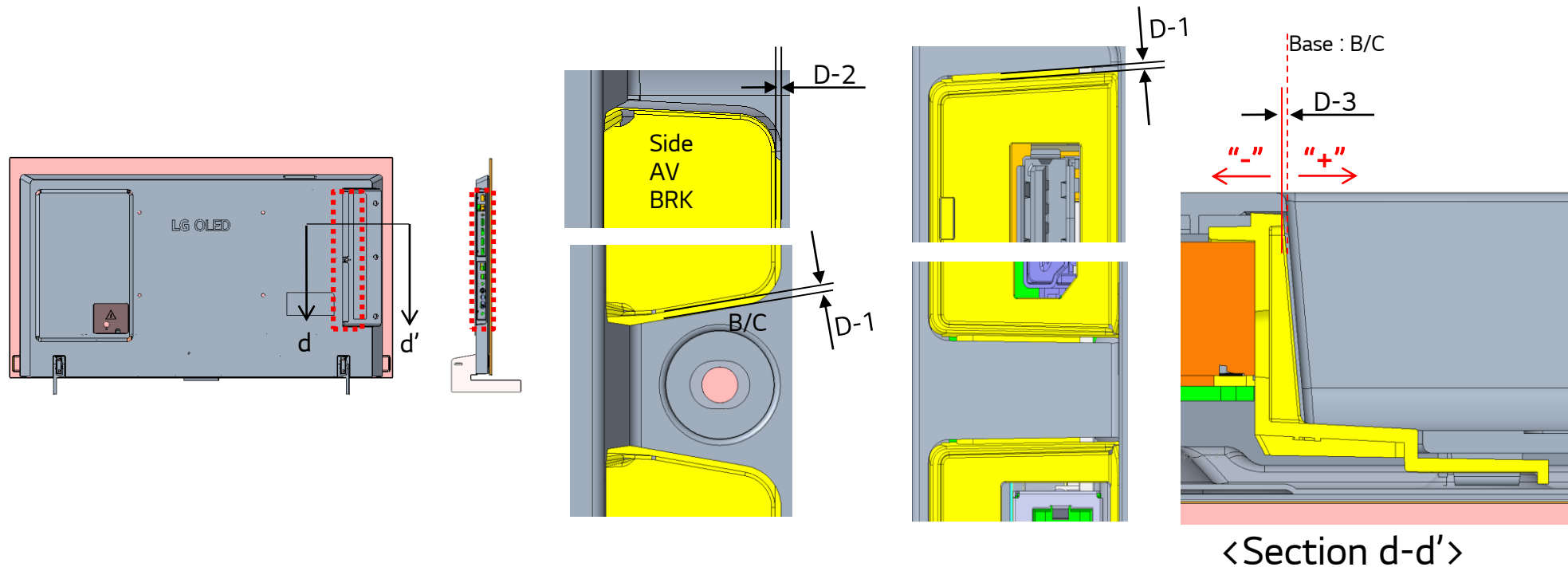
구역	Spec.	Design Gap	Remark
C-1	$0 \leq C-1 \leq 1.2$	0.6mm	Wall mount cover ↔ Back cover Gap (All around)
C-2	$0 \leq C-2 \leq 1.2$	0.6mm	Stand Small cover ↔ Back cover Gap (All around)
C-3	$-0.5 \leq C-3 \leq 1.0$	0mm	Wall mount cover ↔ Back cover_Step size (All around)



6. Mechanical Special Appearance Control Spec

6-4-1. Back Cover + Side AV Bracket (42")

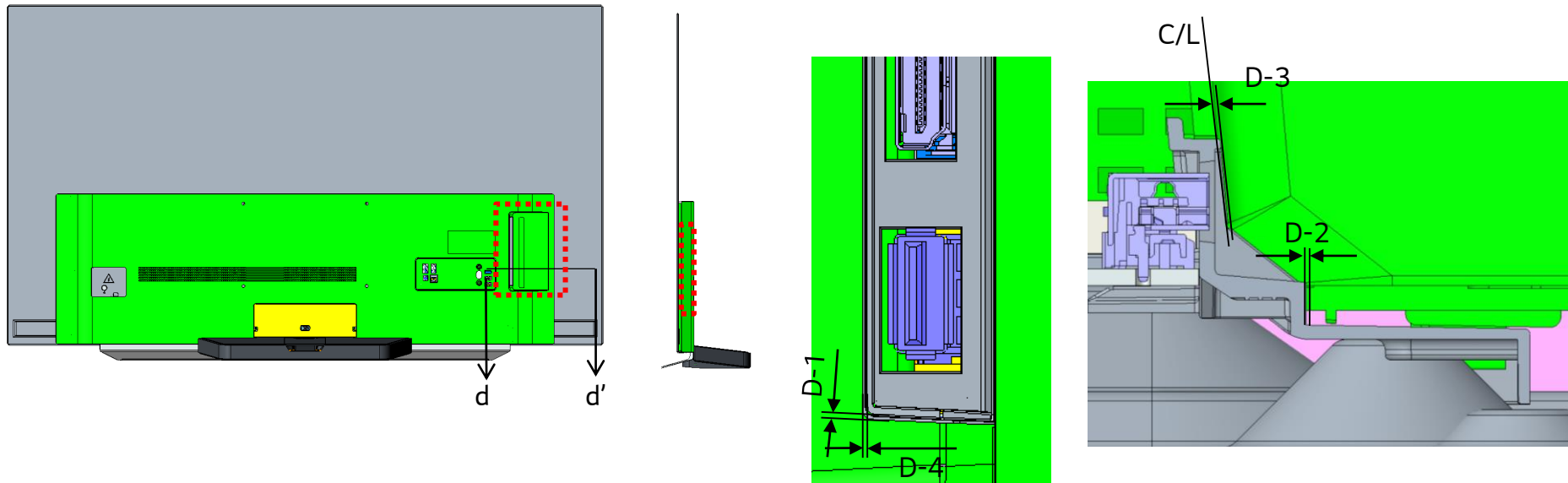
구역	Spec.	Design Gap	Remark
D-1	$0 \leq D-1 \leq 1.2$	0.7mm	Around Gap : Cover Rear ~ Side AV Bracket (Hor.)
D-2	$0 \leq D-2 \leq 1.5$	0.5mm	Around Gap : Cover Rear ~ Side AV Bracket (Ver.)
D-3	$-1.0 \leq D-3 \leq 0.5$	-0.4mm	Around Gap : Cover Rear ~ Side AV Bracket (Step)



6. Mechanical Special Appearance Control Spec

6-4-2. Back Cover + Side AV Bracket (48")

구역	Spec.	Design Gap	Remark
D-1	$0 \leq D-1 \leq 1.0$	0.1mm	Back cover ↔ Side AV Bracket Gap (Side AV Bracket Top)
D-2	$0 \leq D-2 \leq 1.5$	0.4mm	Back cover ↔ Side AV Bracket Gap (Side AV Bracket Bottom)
D-3	$-1.0 \leq D-3 \leq 1.0$	0.3mm	Back cover ↔ Side AV Bracket_Step size
D-4	$0 \leq D-4 \leq 0.8$	0.3mm	Back cover ↔ Side AV Bracket Gap (Side AV Bracket Side)

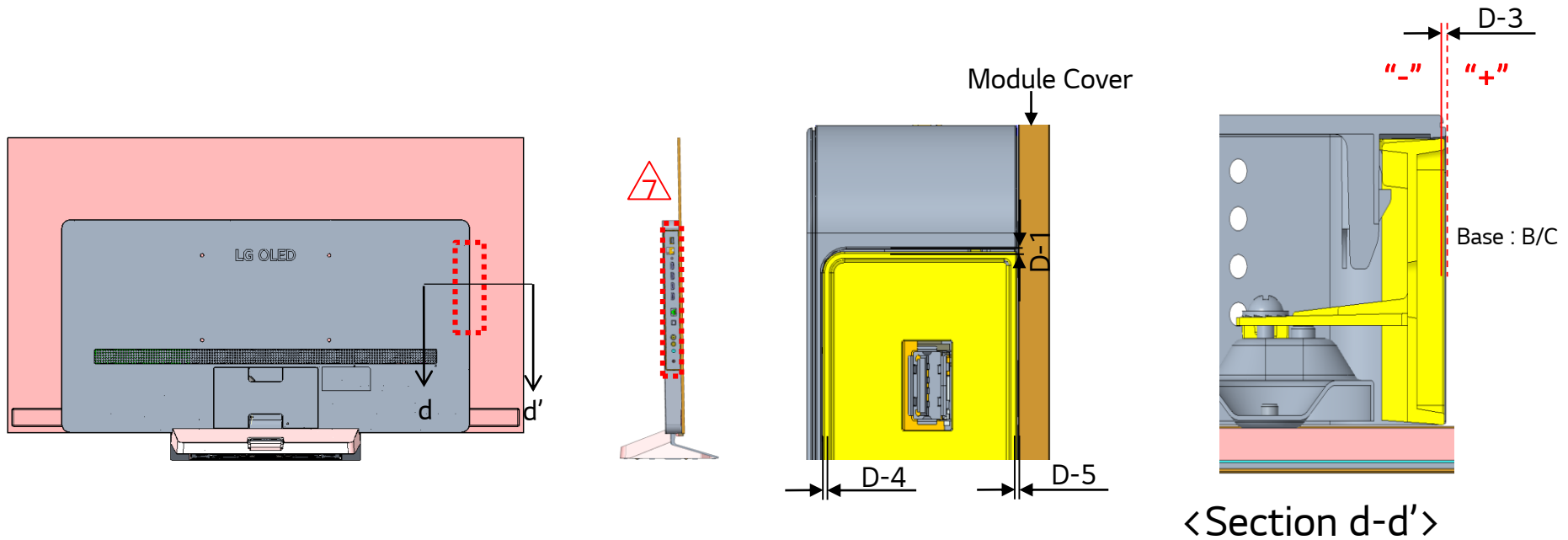


<Section d-d'>

6. Mechanical Special Appearance Control Spec

6-4-3. Back Cover + Side AV Bracket (55/65/77")

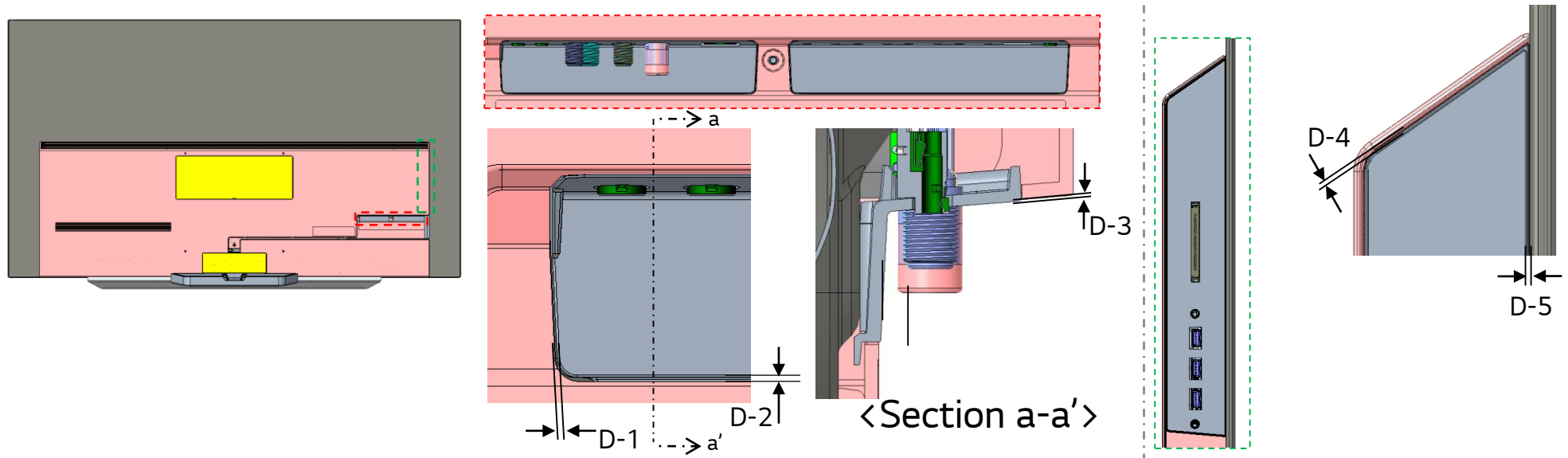
구역	Spec.	Design Gap	Remark
D-1	$0 \leq D-1 \leq 1.0$	0.5mm	Back cover ↔ Side AV Bracket Gap (Side AV Bracket Side)
D-2	NA	NA	NA
D-3	$-1.0 \leq D-3 \leq 1.0$	-0.3mm	Back cover ↔ Side AV Bracket_Step size
D-4	$0 \leq D-4 \leq 1.0$	0.1mm	Back cover ↔ Side AV Bracket Gap (Side AV Bracket Top)
D-5	$0 \leq D-5 \leq 1.0$	0.4mm	Module Cover ↔ Side AV Bracket Gap (Side AV Bracket Bottom)



6. Mechanical Special Appearance Control Spec

6-4-4. Back Cover + Side AV Bracket (83")

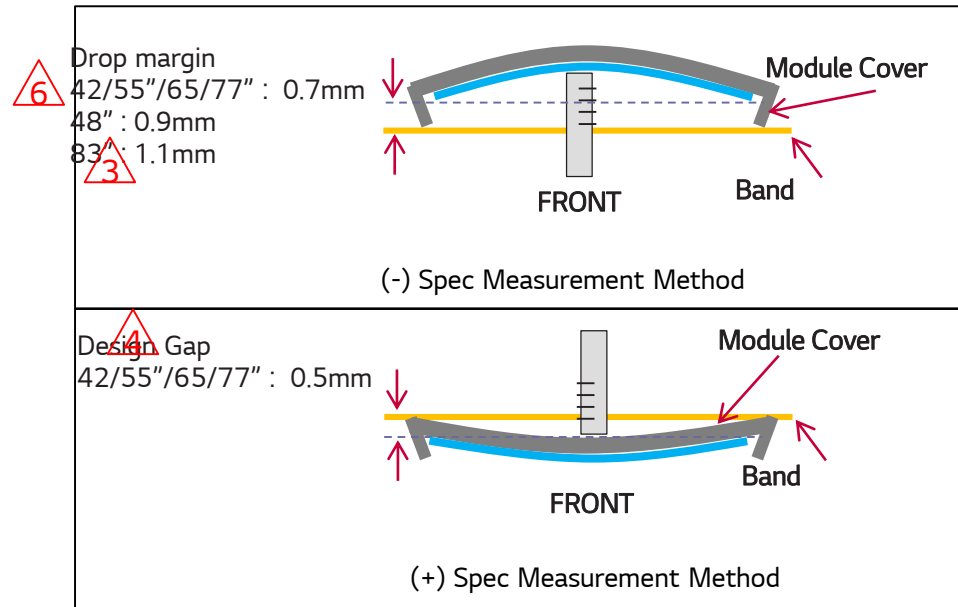
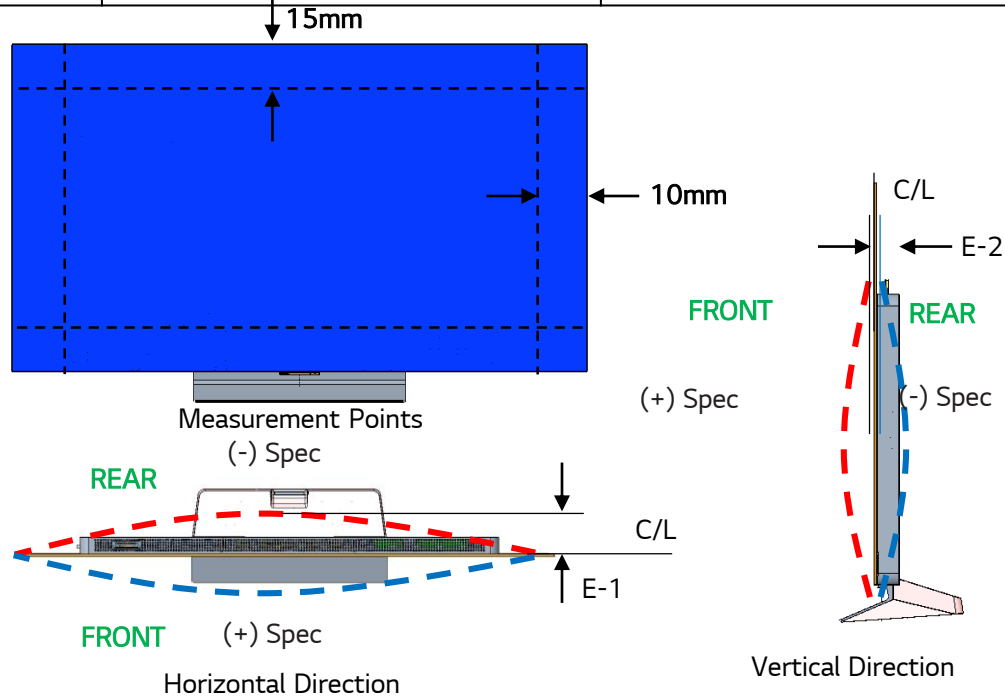
구역	Spec.	Design Gap	Remark
D-1	$0 \leq D-1 \leq 1.0$	0.3mm	Back cover ↔ Side AV Bracket Gap (Side AV Bracket Side)
D-2	$0 \leq D-2 \leq 1.5$	0.5mm	Back cover ↔ Side AV Bracket Gap (Side AV Bracket Bottom)
D-3	$-1.0 \leq D-3 \leq 1.0$	0.3mm	Back cover ↔ Side AV Bracket_Step size
D-4	$0 \leq D-4 \leq 1.5$	0.2mm	Back cover ↔ Side AV Bracket Gap (Side AV Bracket Side)
D-5	$0 \leq D-5 \leq 1.2$	0.2mm	Back cover ↔ Side AV Bracket_Step size (Side AV Bracket Bottom)



6. Mechanical Special Appearance Control Spec

6-5. Bending Spec (Head)

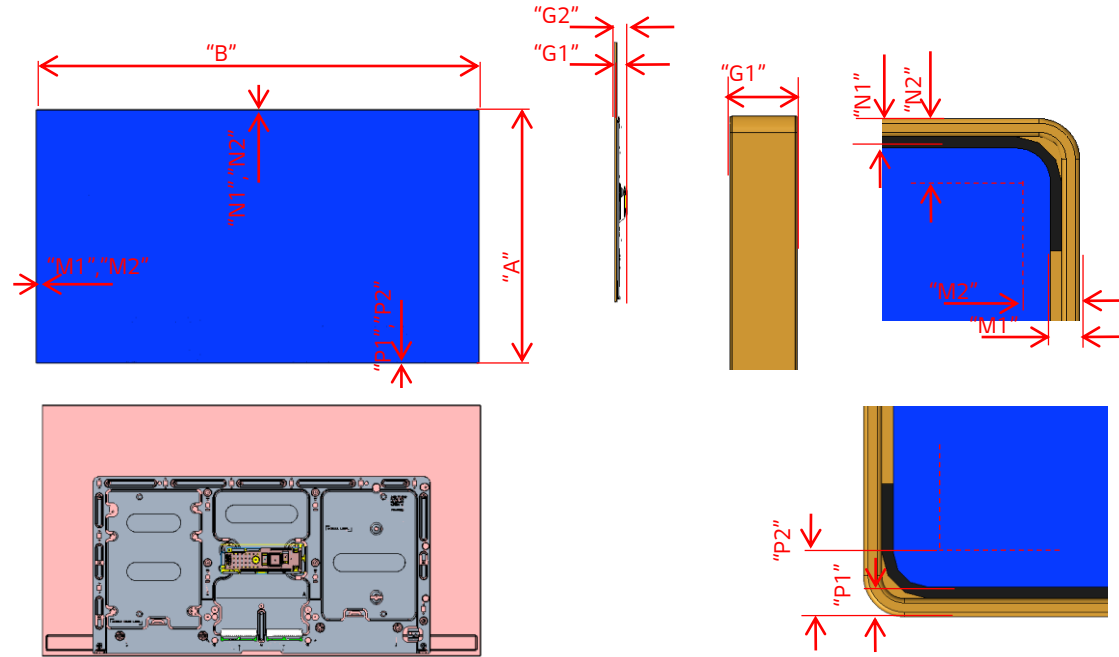
구역	Spec.	Design Gap	Remark
E-1	42/55" : $-2.0 \leq E-1 \leq 2.0$ 65" : $-2.0 \leq E-1 \leq 2.5$ 48" : $-2.0 \leq E-1 \leq 2.0$ 77" : $-4.0 \leq E-1 \leq 4.0$ 83" : $-4.5 \leq E-1 \leq 4.0$	0mm	Horizontal Direction (-)Spec : Measurement-Drop margin (+)Spec : Measurement *This spec applied set on/off (Standard mode when set on)
E-2	42" : $-1.5 \leq E-1 \leq 1.5$ 48" : $-1.5 \leq E-1 \leq 1.5$ 55/65" : $-2.0 \leq E-2 \leq 2.0$ 77" : $-3.0 \leq E-2 \leq 3.0$ 83" : $-3.5 \leq E-2 \leq 3.0$	0mm	Vertical Direction (-)Spec : Measurement-Drop margin (+)Spec : Measurement



7. Module Spec.

7-1. Line Drawing

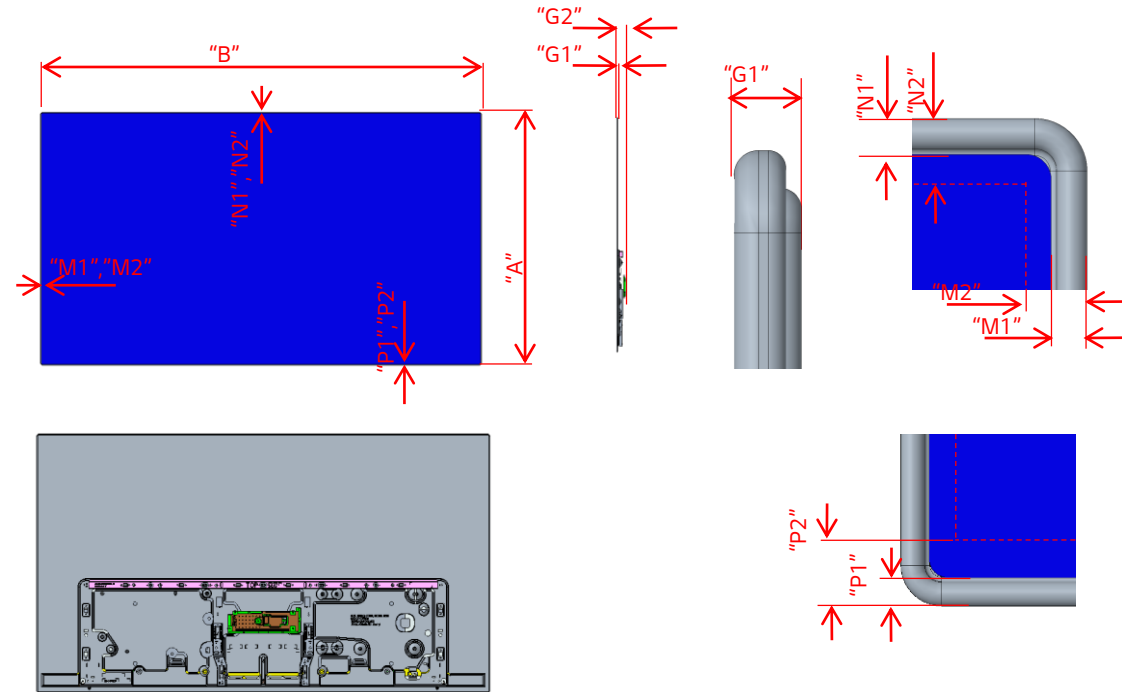
Front 및 Side (UNIT: mm)	42inch	55inch	65inch	77inch
A (height : H)	534	697	820	976
B (width : W)	932	1222	1441	1711
G1 (slimmest depth)	6.3	6.3	6.3	6.3
G2 (thickest depth)	20	33	33	35
M1 (L/R Off Bezel)	1.3	1.3	1.3	1.3
M2 (L/R On Bezel)	6	6.0	6.0	6.9
N1 (Top Off Bezel)	1.3	1.3	1.3	1.3
N2 (Top On Bezel)	6	6.0	6.0	6.8
P1 (Bottom Off Bezel)	1.3	1.3	1.3	1.3
P2 (Bottom On Bezel)	10.9	10.9	10.9	14.3



7. Module Spec.



7-1. Line Drawing

Front 및 Side (UNIT: mm)	48inch
A (height : H)	614
B (width : W)	1071
G1 (slimmest depth)	3.9
G2 (thickest depth)	32
M1 (L/R Off Bezel)	3.3
M2 (L/R On Bezel)	9.2
N1 (Top Off Bezel)	3.3
N2 (Top On Bezel)	9.2
P1 (Bottom Off Bezel)	3.3
P2 (Bottom On Bezel)	12.9

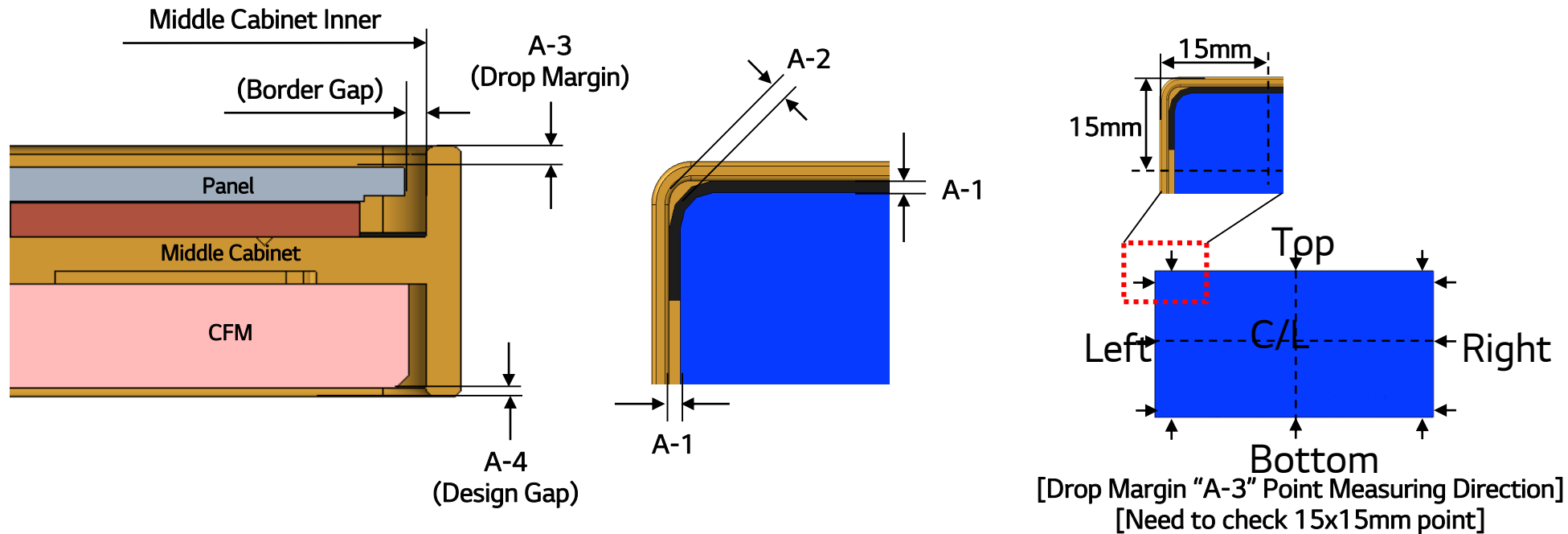


7. Module Spec.

7-2. Panel & Module cover gap spec. (42/55/65/77")

구역	Spec.	Design Gap	Remark
A-1	$0 \leq A-1 \leq 1.2$	0.5mm	Module cover ↔ Panel Gap (All round)
A-2	$0.2 \leq A-2 \leq 1.5$	0.9mm	Module cover ↔ Panel Gap (4points Corner)
A-3	$0 \leq A-3 \leq 1.3$	 0.7mm	Module cover ↔ Panel, Front step (Below 8points)
A-4	 $0 \leq A-3 \leq 0.8$	0.5mm	Middle Cabinet ↔ CFM step (All round)
Etc.	ΔMax 1.2		

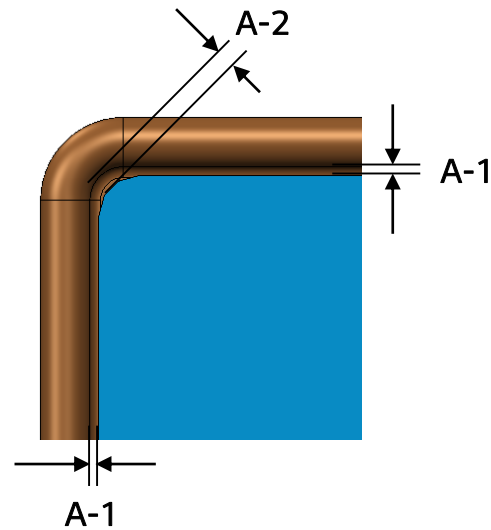
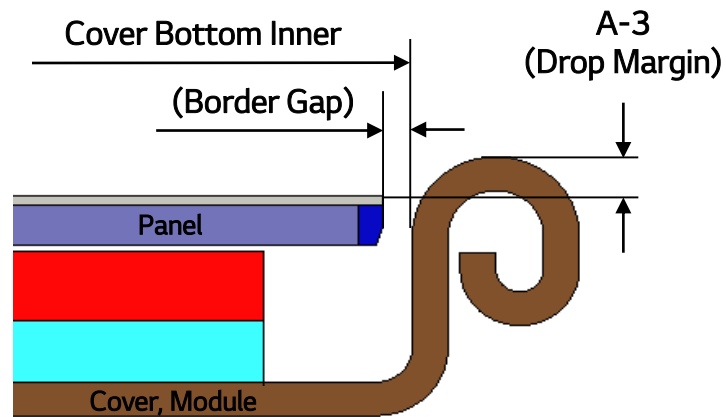
* Δt management standard should be noted gap that can be visually confirmed from the front.



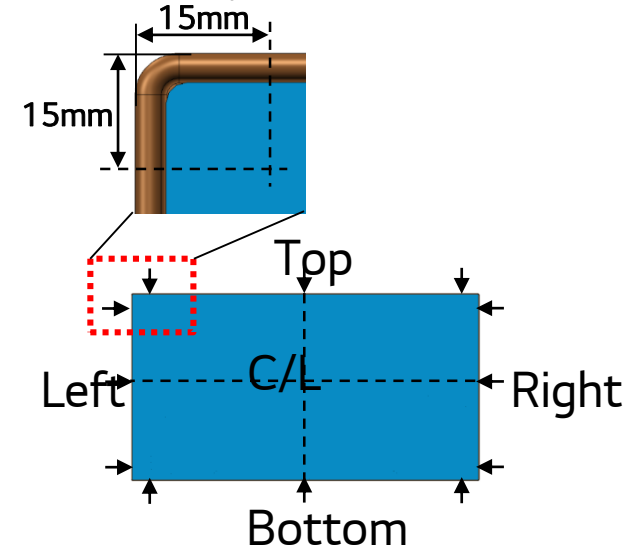
7. Module Spec.

7-2. Panel & Module cover gap spec. (48/83")

구역	Spec.	Design Gap	Remark
A-1	$0 \leq A-1 \leq 1.2$	0.5mm	Module cover ↔ Panel Gap (All round)
A-2	$0.2 \leq A-2 \leq 1.5$	0.9mm	Module cover ↔ Panel Gap (4points Corner)
A-3	$0.4 \leq A-3 \leq 1.5$	48" : 0.9mm 83" : 1.1mm	Module cover ↔ Panel, Front step (Below 8points)
Etc.	ΔMax 1.2		



* Δt management standard should be noted gap that can be visually confirmed from the front.

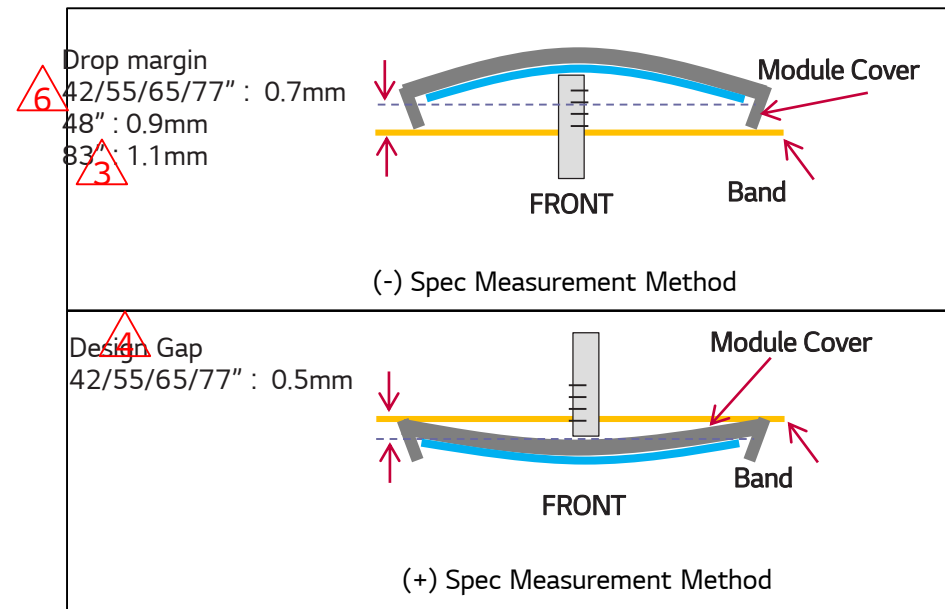
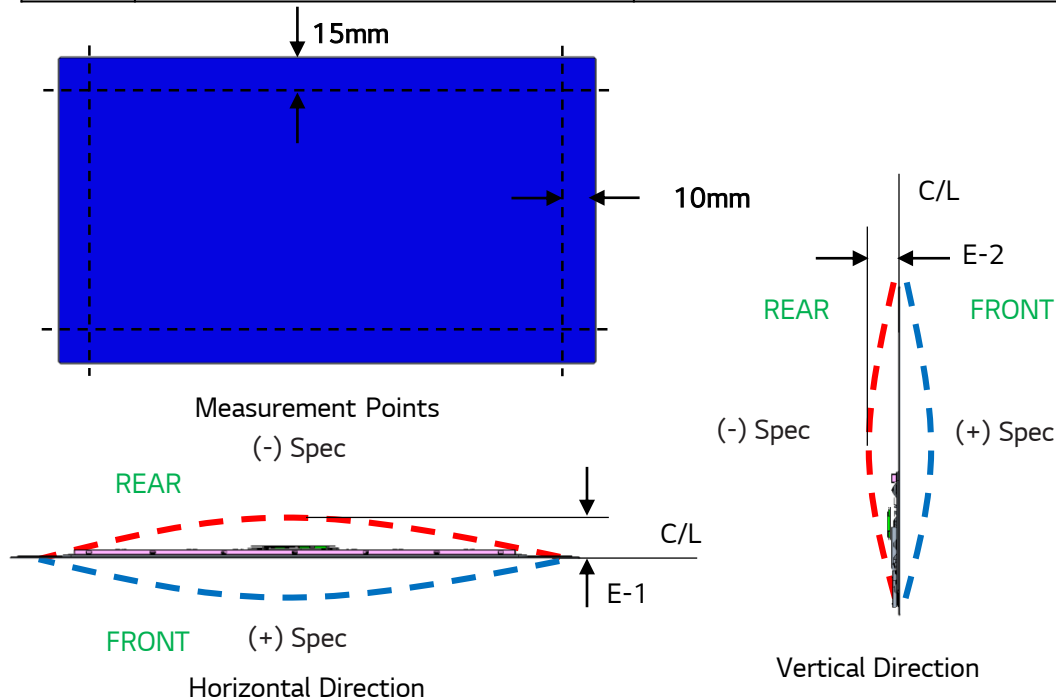


[Drop Margin "A-3" Point Measuring Direction]
[Need to check 15x15mm point]

7. Module Spec.

7-3. Bending Spec (Head)

구역	Spec.	Design Gap	Remark
E-1	42/55" : $-2.0 \leq E-1 \leq 2.0$ 65" : $-2.0 \leq E-1 \leq 2.5$ 48" : $-2.0 \leq E-1 \leq 2.0$ 77" : $-4.0 \leq E-1 \leq 4.0$ 83" : $-4.5 \leq E-1 \leq 4.0$	0mm	Horizontal Direction (-)Spec : Measurement-Drop margin (+)Spec : Measurement *This spec applied set on/off (Standard mode when set on)
E-2	42" : $-1.5 \leq E-1 \leq 1.5$ 48" : $-1.5 \leq E-1 \leq 1.5$ 55/65" : $-2.0 \leq E-2 \leq 2.0$ 77" : $-3.0 \leq E-2 \leq 3.0$ 83" : $-3.5 \leq E-2 \leq 3.0$	0mm	Vertical Direction (-)Spec : Measurement-Drop margin (+)Spec : Measurement



8. Module Information

8-1. 42C2

NO	ITEM	CONTENT			UNIT	REMARK
		Width	Depth	Height		
1	Module Dimension	932	27	534	mm	W/O Packing
		1070	1094	670	mm	With Packing
		5.5			Kg	W/O Packing
2	Module Weight	126			Kg	With Packing
		40ft (H-Cubic)			1452 (22 EA/1BOX)	Set

8-2. 48C2

NO	ITEM	CONTENT			UNIT	REMARK
		Width	Depth	Height		
1	Module Dimension	1071	32	614	mm	W/O Packing
		1300	1140	869	mm	With Packing
		10.8			Kg	W/O Packing
2	Module Weight	272			Kg	With Packing
		40ft (H-Cubic)			792 (22EA/1BOX)	Set

8-3. 55C2

NO	ITEM	CONTENT			UNIT	REMARK
		Width	Depth	Height		
1	Module Dimension	1222	33	697	mm	W/O Packing
		1337	1094	860	mm	With Packing
		7.7			Kg	W/O Packing
2	Module Weight	187			Kg	With Packing
		40ft (H-Cubic)			644 (23EA/1BOX)	Set

8-4. 65C2

NO	ITEM	CONTENT			UNIT	REMARK
		Width	Depth	Height		
1	Module Dimension	1441	33	820	mm	W/O Packing
		1574	1104	1115	mm	With Packing
		9.7			Kg	W/O Packing
2	Module Weight	228			Kg	With Packing
		40ft (H-Cubic)			616 (22EA/1BOX)	Set

8-5. 77C2

NO	ITEM	CONTENT			UNIT	REMARK
		Width	Depth	Height		
1	Module Dimension	1711	35	976	mm	W/O Packing
		1864	1204	1235	mm	With Packing
		14.1			Kg	W/O Packing
2	Module Weight	260			Kg	With Packing
		40ft (H-Cubic)			408 (17EA/1BOX)	Set