

# SCREEN CONFIGURATION SUMMARY

PROJECT: WP25-00302 - INCEEL 120 VW

SCREEN: PRININCEEL-02304 - 2650-INCEEL-1.78-VWH-C05

## SCREEN:

PRININCEEL-02304  
Description: 2650-INCEEL-1.78-VWH-C05  
Description 2: Overall size 3.170X1.790 mm  
Screen Model: Inceel  
Native Aspect Ratio: 1.78 Widescreen TV (16:9)  
Fabric: Vision White  
Screen Finishing: Tensio Classic Black Border 5  
Dimension Range: 2650 mm Viewing Area

## OPTIONS:

Fabric roll assembly: Back fall  
Screen finish option: White Matte  
Screen mechanism: Somfy standard motor  
Mechanism position option: Right  
Voltage: 230V 50Hz  
Instructions: Adeo Screen Manual

## ACCESSORIES:

	QTY
Control System:	
AROL0004: Interface RS232-RF-12V-Dry contact for Screen	1

## TOTAL, EXCLUDING FREIGHT & LOCAL TAXES:

### Customer:

AWE EUROPE LTD  
Alexander House 3A, Blenheim Road  
EPSOM  
KT19 9AP  
GB

Phone: [REDACTED]

Email: [REDACTED]

Website: [www.awe-europe.com](http://www.awe-europe.com)

### Comments:

# SCREEN CONFIGURATION SUMMARY

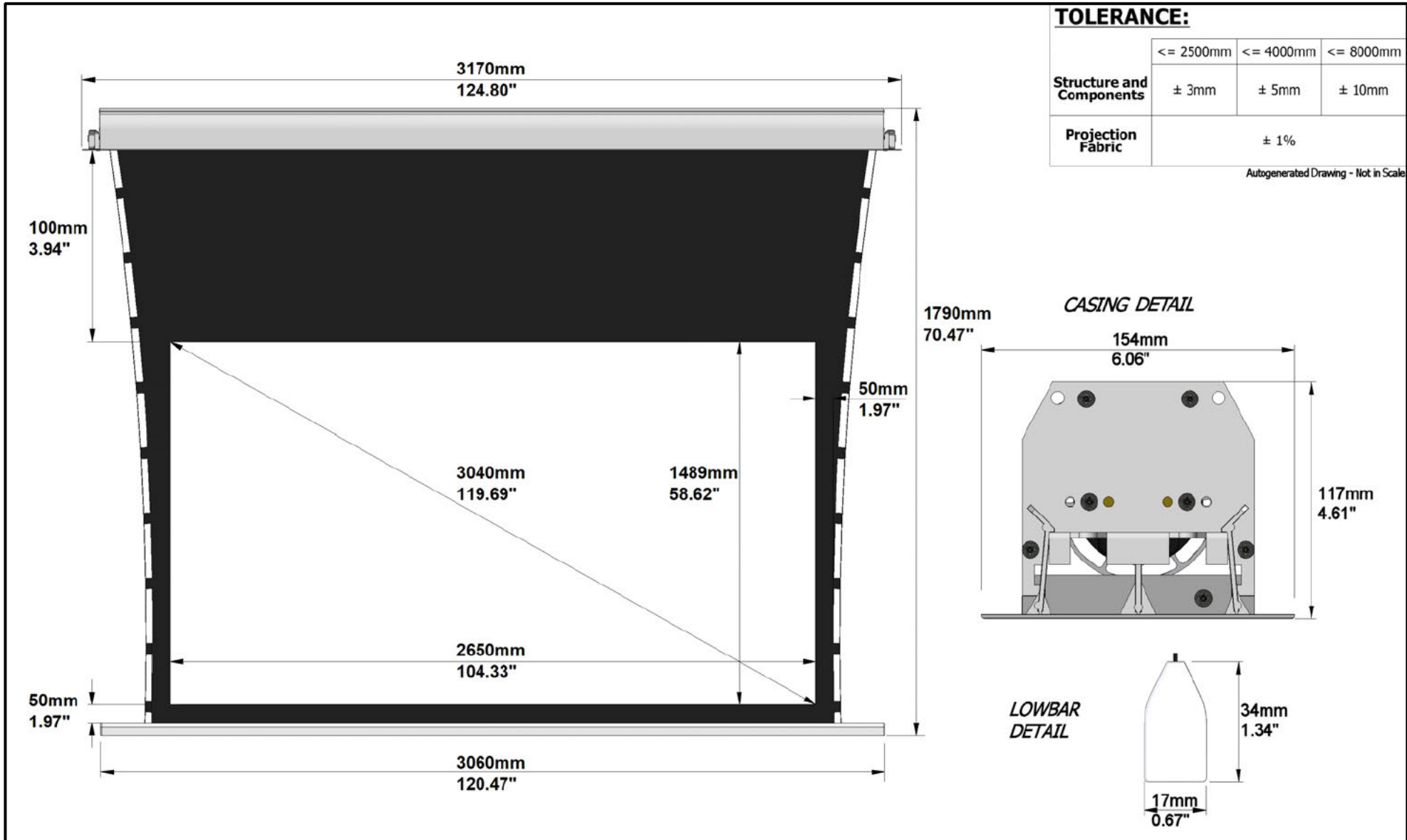
PROJECT: WP25-00302 - INCEEL 120 VW

SCREEN: PRININCEEL-02304 - 2650-INCEEL-1.78-VWH-C05

## TOLERANCE:

	<= 2500mm	<= 4000mm	<= 8000mm
Structure and Components	± 3mm	± 5mm	± 10mm
Projection Fabric	± 1%		

Autogenerated Drawing - Not in Scale

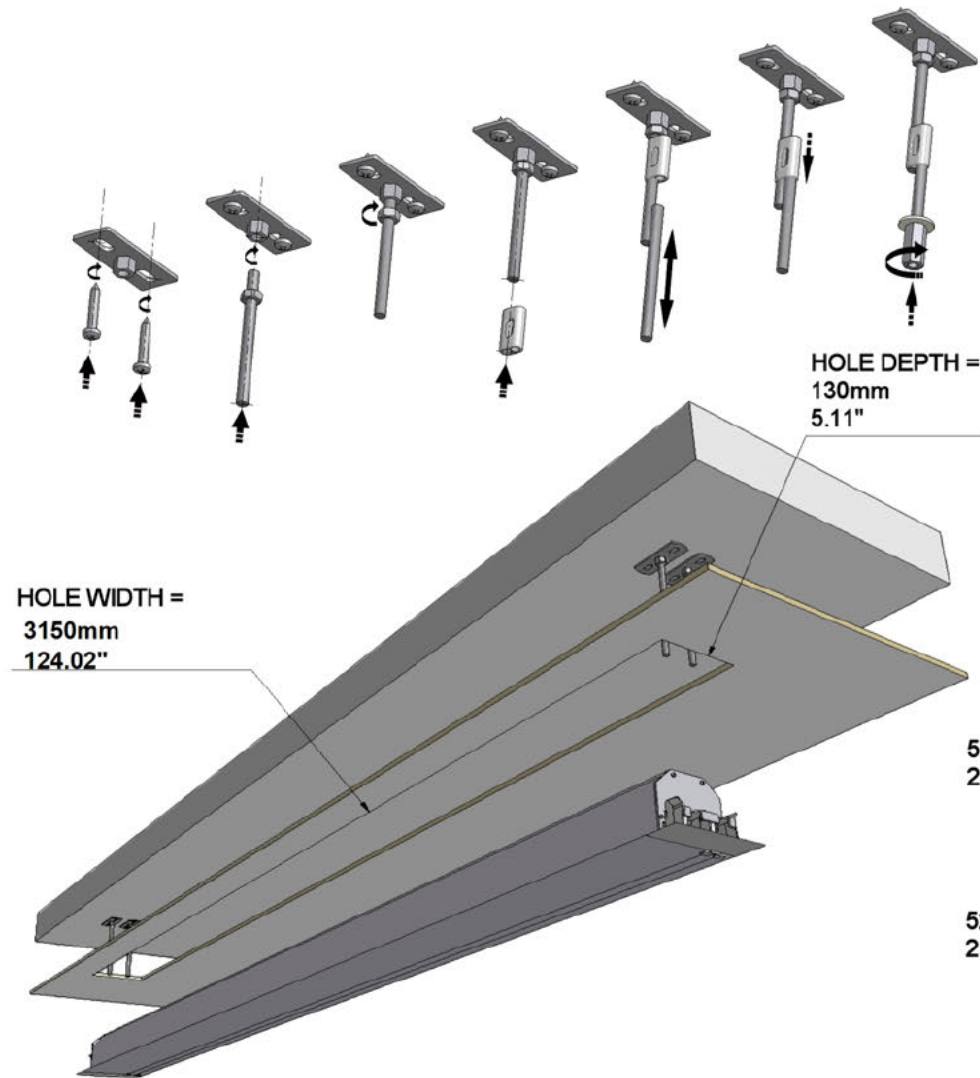


# SCREEN CONFIGURATION SUMMARY

PROJECT: WP25-00302 - INCEEL 120 VW

SCREEN: PRININCEEL-02304 - 2650-INCEEL-1.78-VWH-C05

## MOUNTING BRACKET AND INSTALLATION VIEW:



## PACKAGING INFORMATION:

ESTIMATED SCREEN NET WEIGHT: 23.80Kg  
52.40Lbs

	ESTIMATED SHIPPING DIMENSIONS				NUMBER OF BOXES	ESTIMATED SHIPPING WEIGHT	
	LENGTH	DEPTH	HEIGHT	PALLET HEIGHT		kg	lbs
mm	3220mm	200mm	210mm	320mm	1	26.40	58.08
inches	126.77"	7.87"	8.27"	12.60"		26.40	58.08

Autogenerated Drawing - Not in Scale

