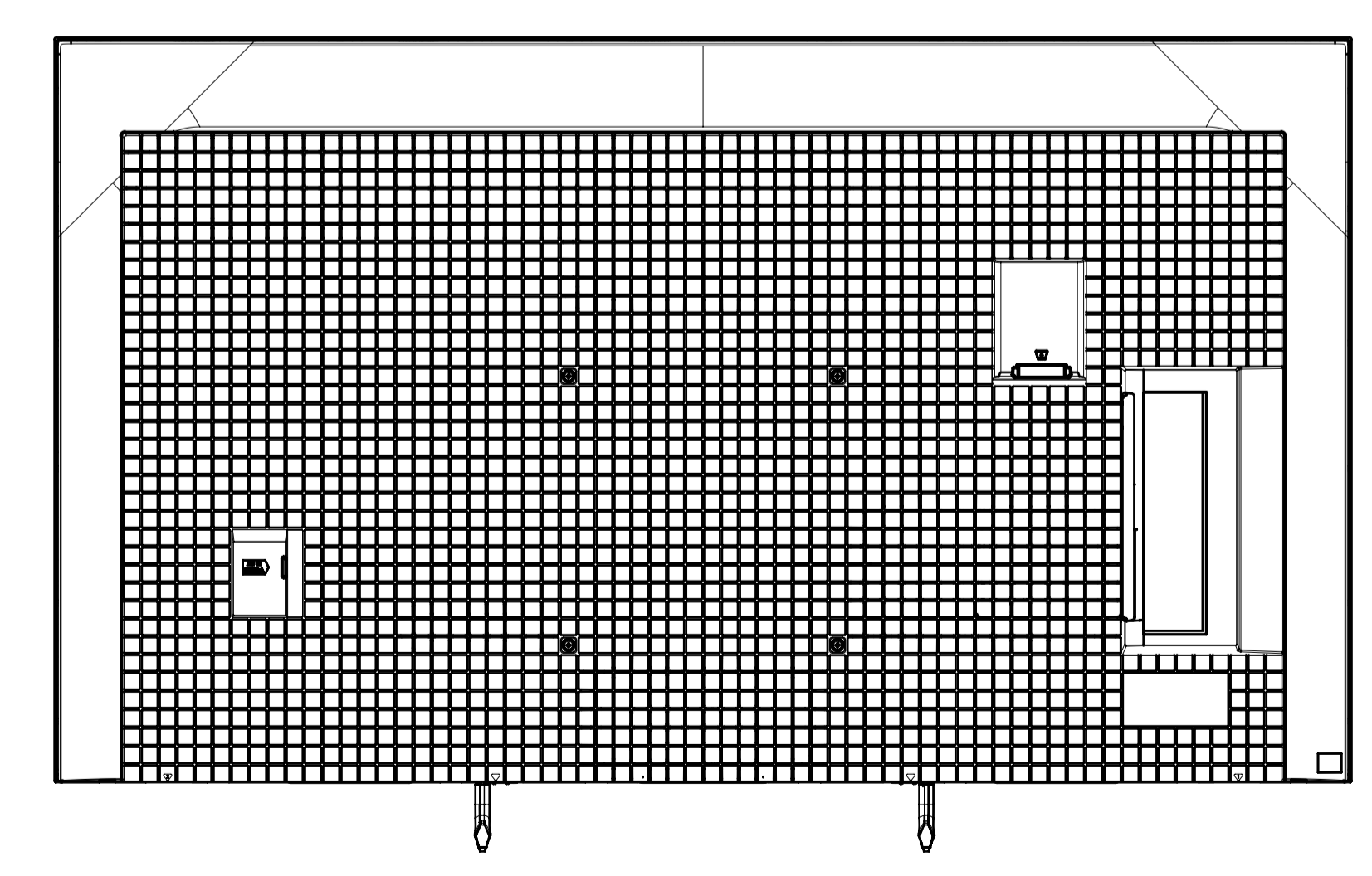
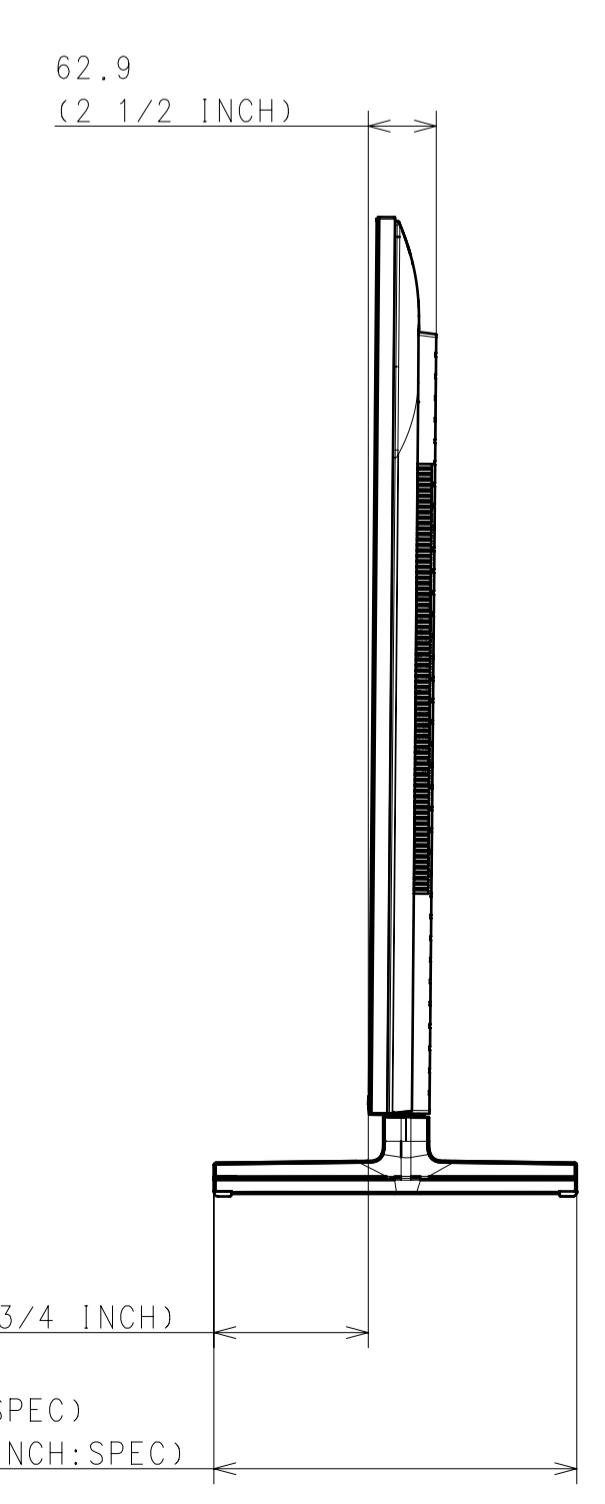
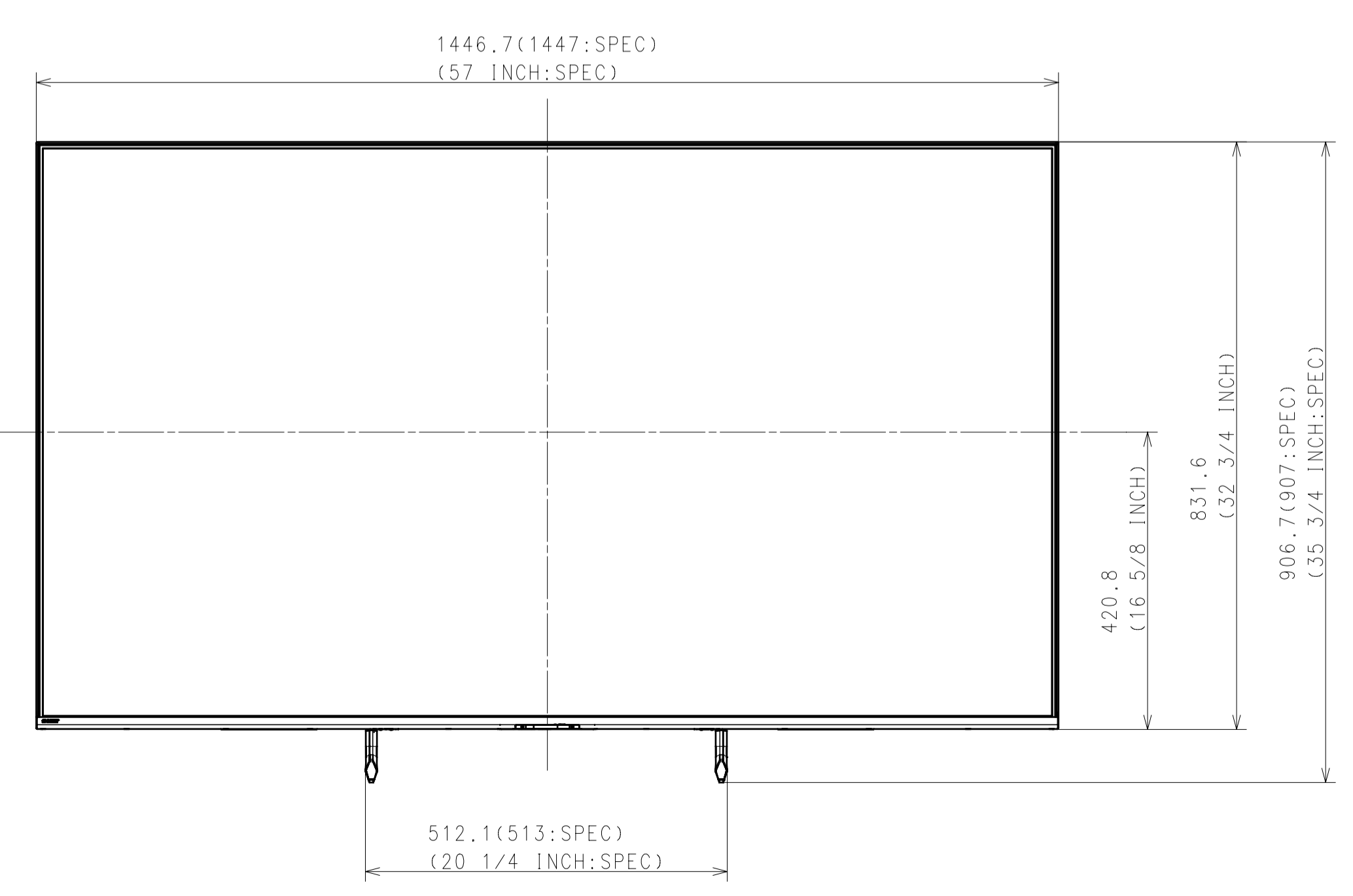
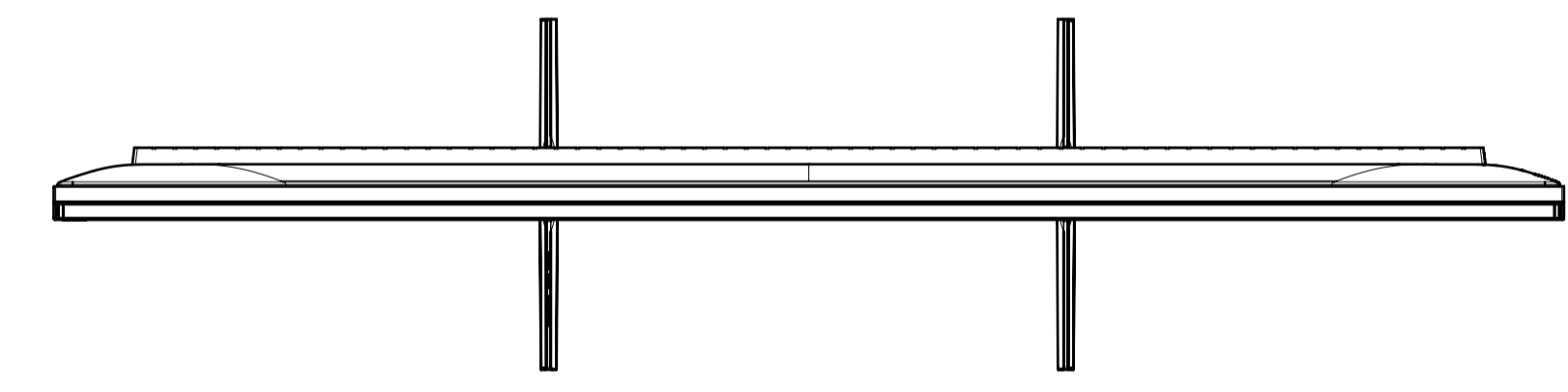
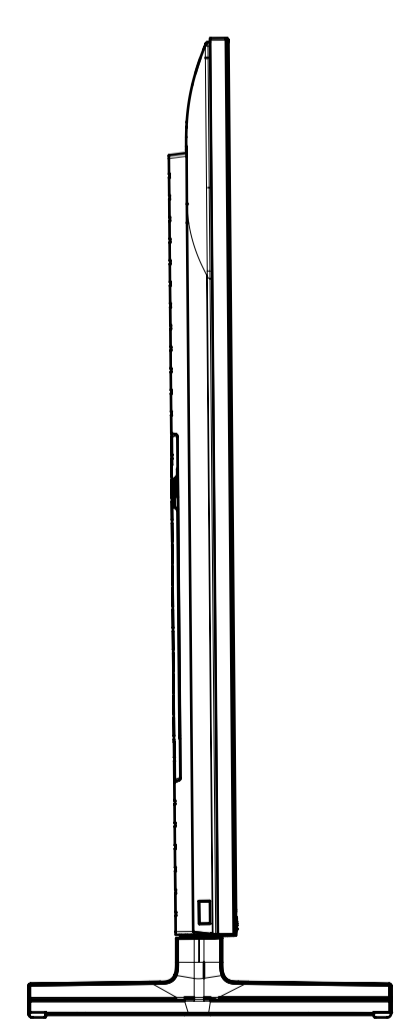


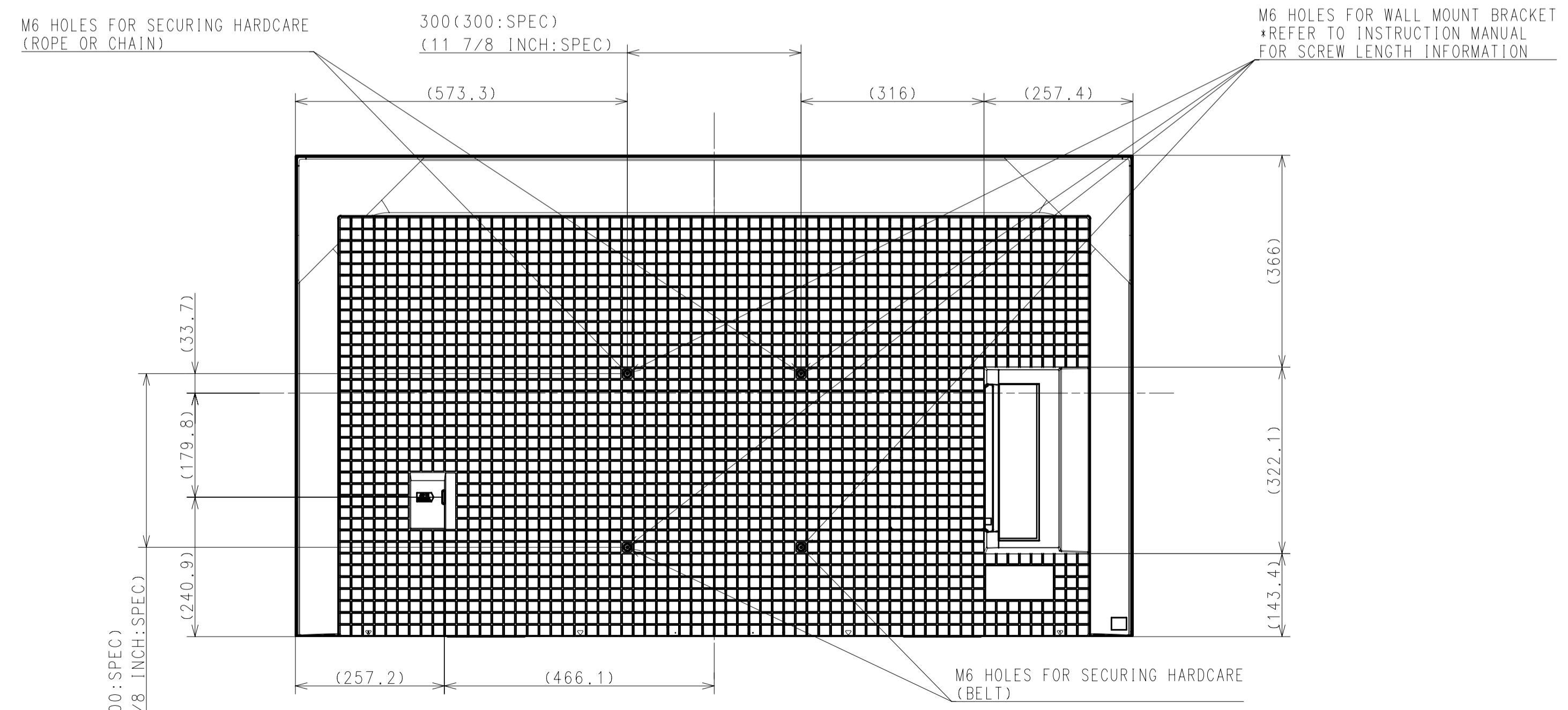
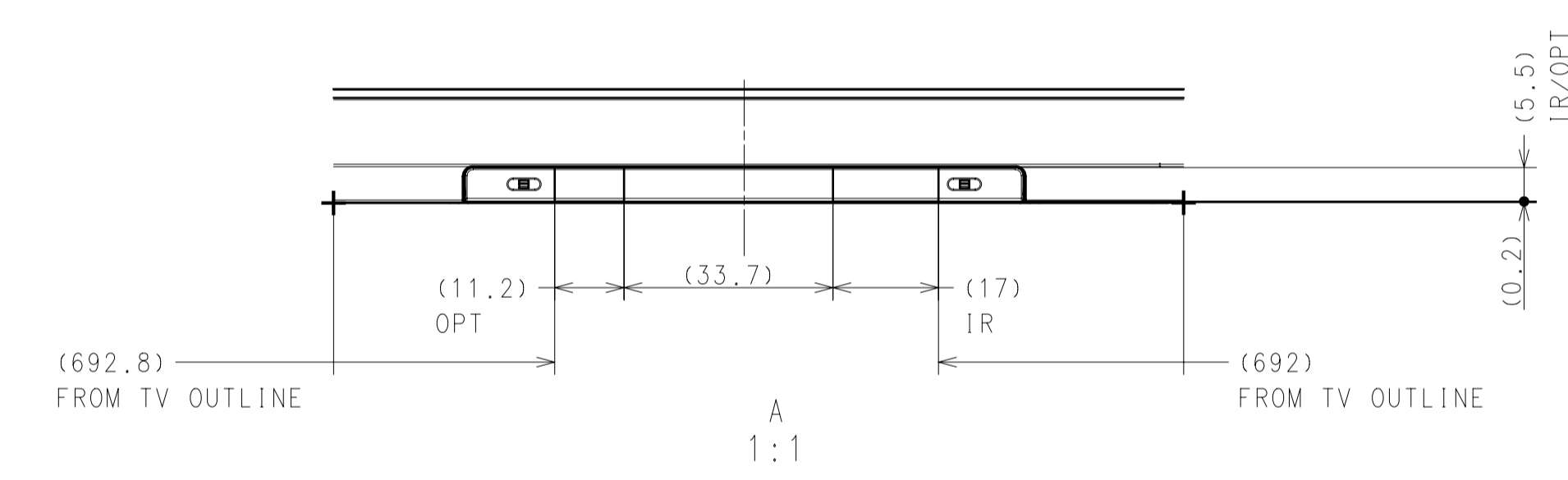
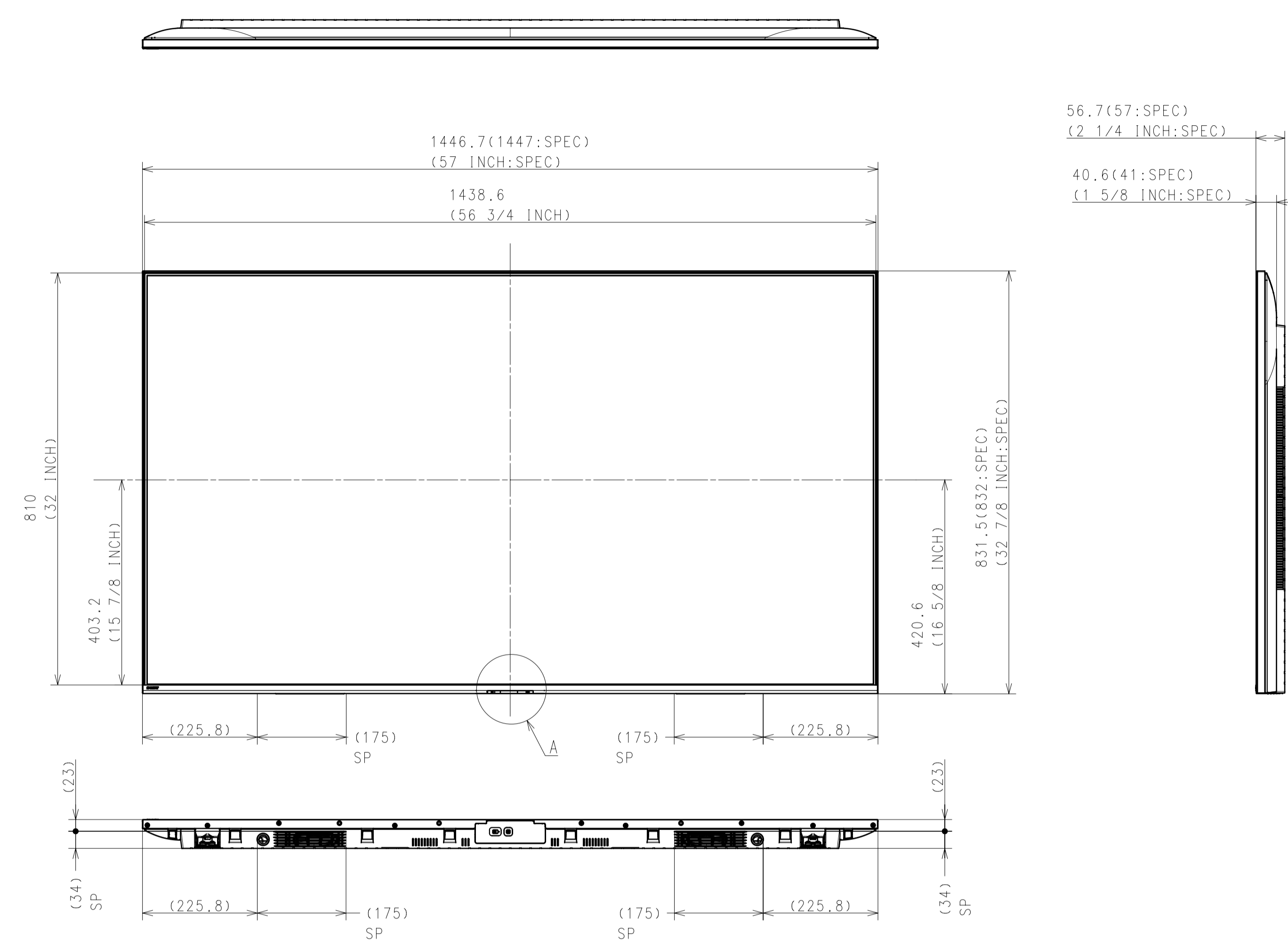


WITH STAND  
NARROW POSITION



DESCRIPTION 1 65 (X85L) EXTERIOR VIEW	LEGAL OWNER Sony Corporation	SCALE 1:7
DESCRIPTION 2 65 (X85L) EXTERIOR VIEW	PART NO.	SHEET/PAGES 2 / 6

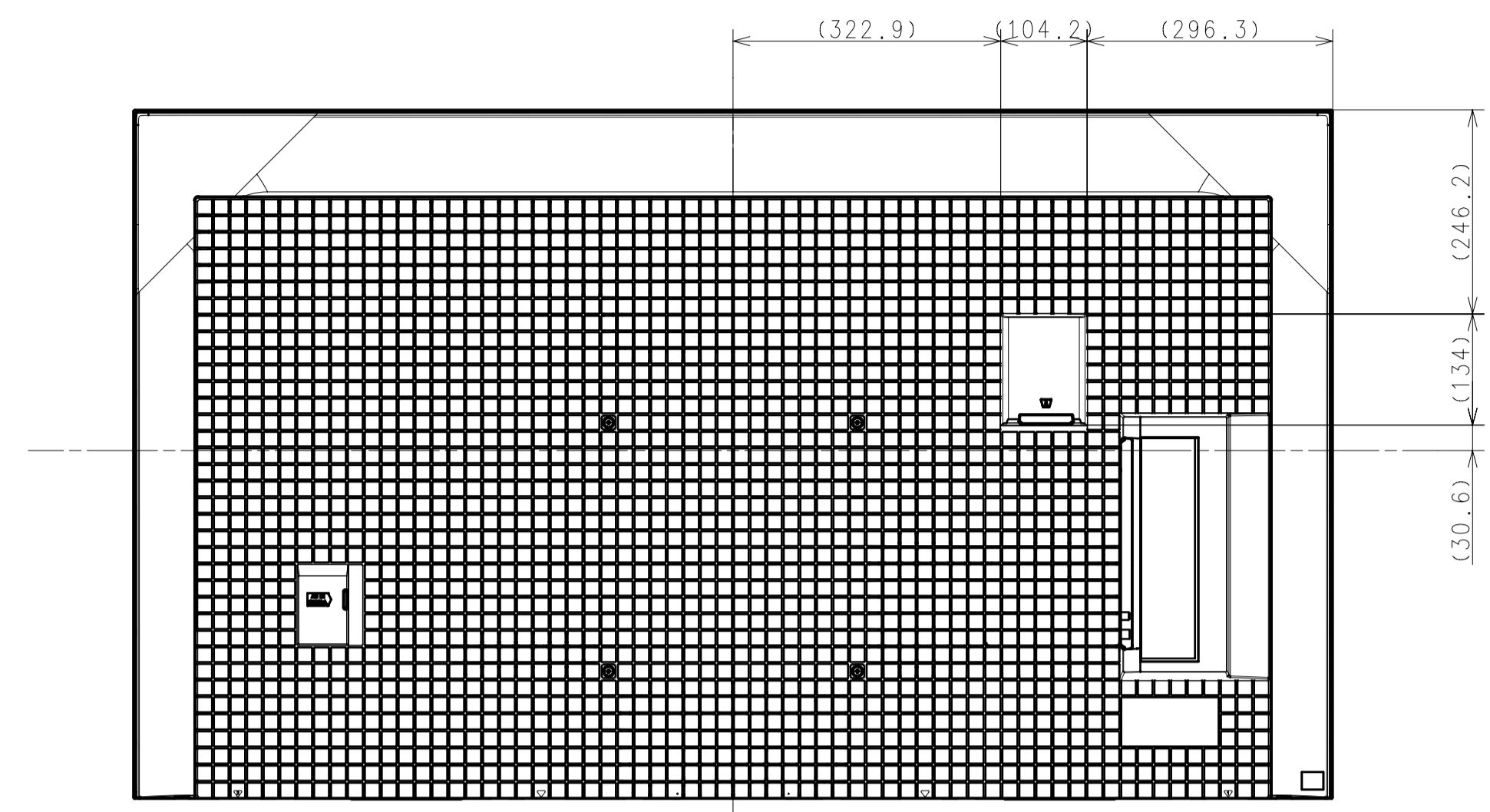
WITHOUT STAND



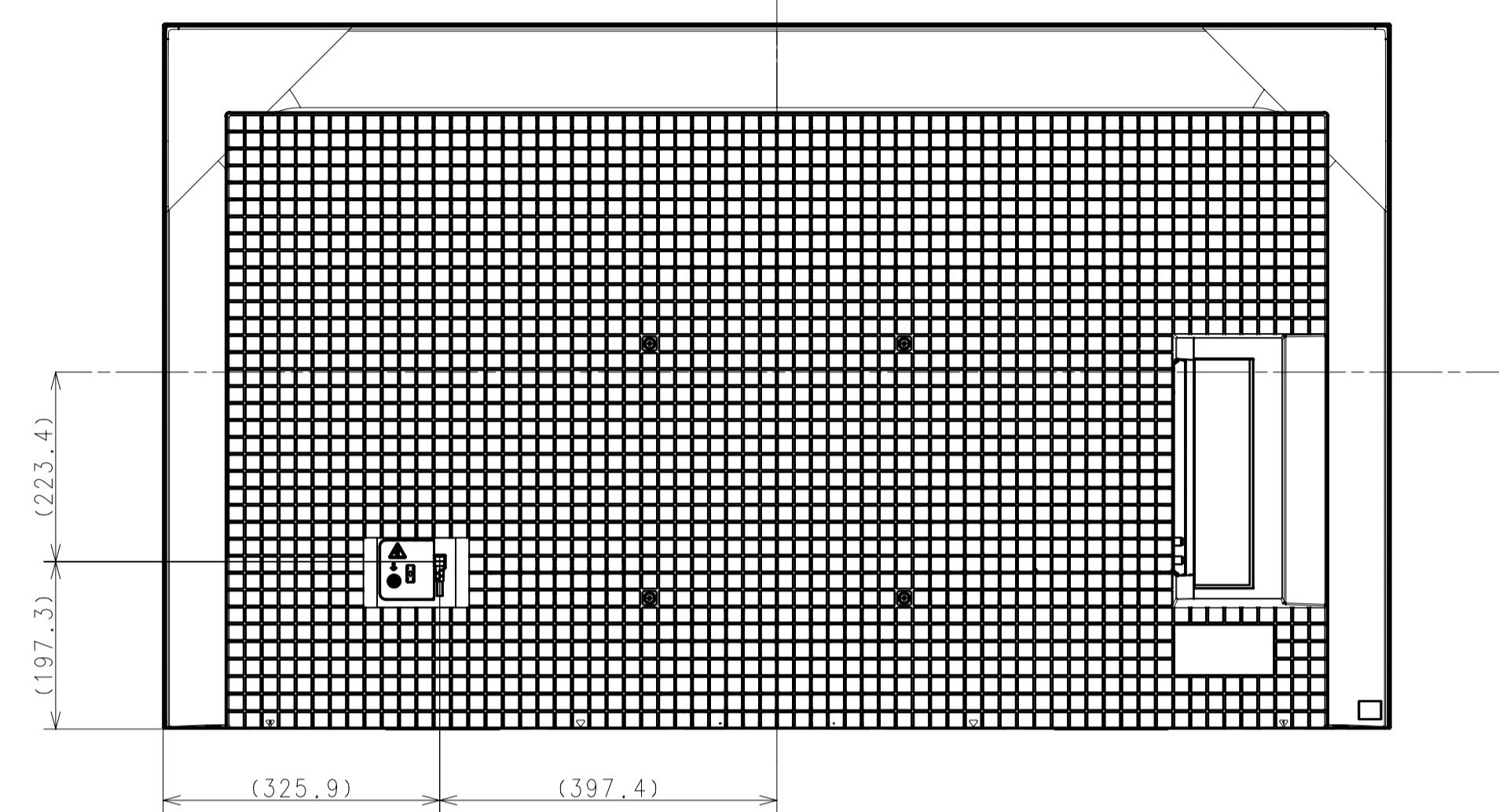
FOR GENERAL AREA, CHINA

DESCRIPTION	LEGAL OWNER	SCALE
65 (X85L) EXTERIOR VIEW	Sony Corporation	1:7
DESCRIPTION	PART NO.	SHEET/PAGES
65 (X85L) EXTERIOR VIEW		3 / 6

WITHOUT STAND



FOR EUROPE



FOR JAPAN

DRAWING

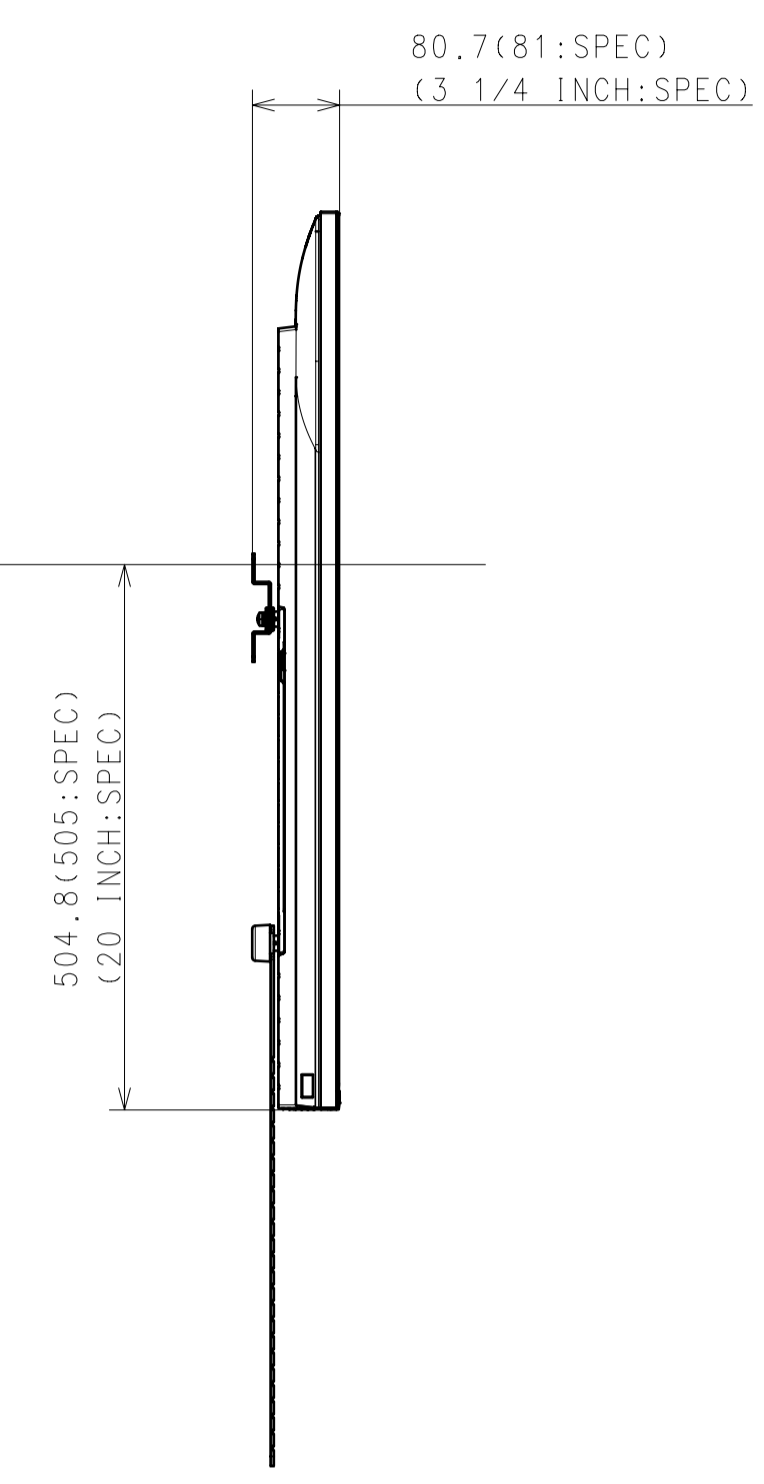
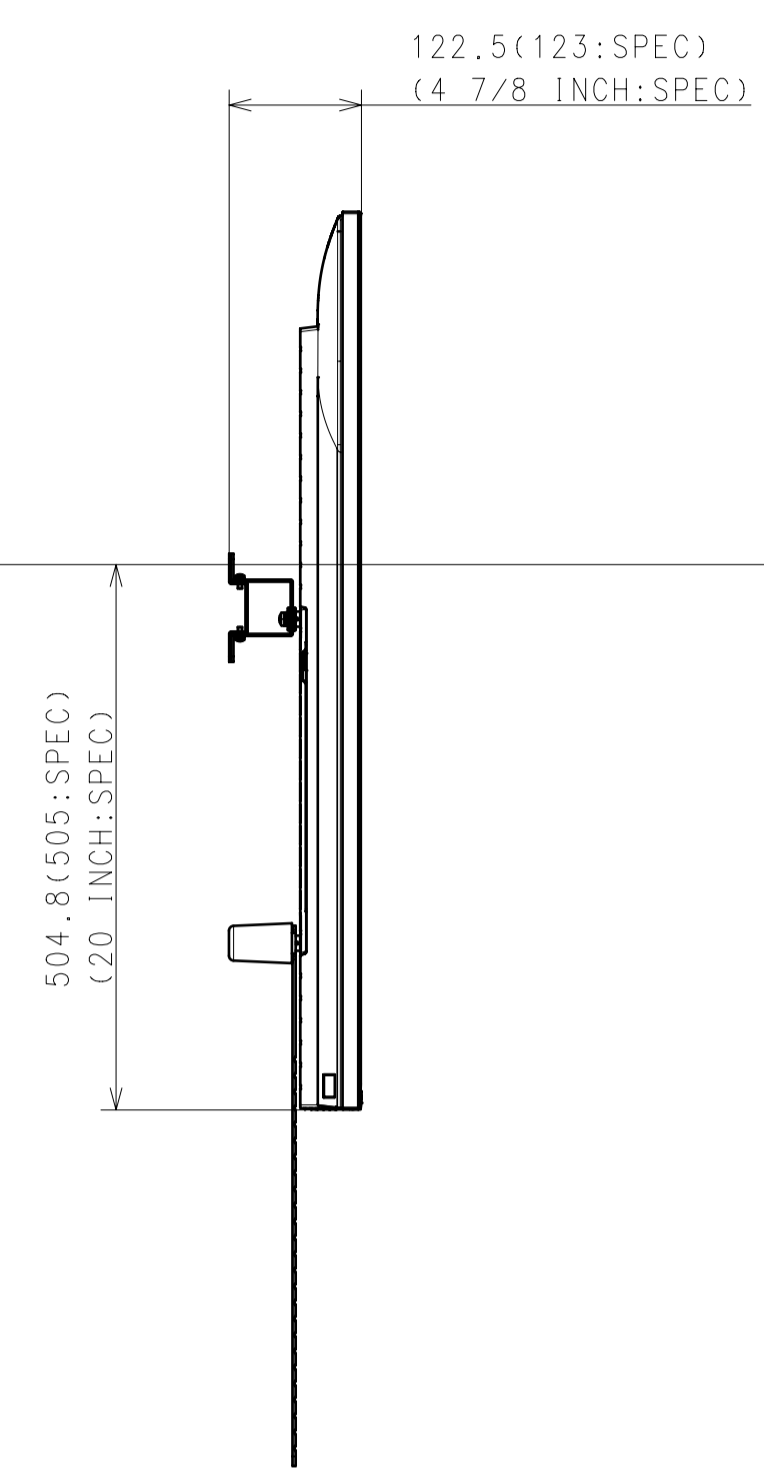
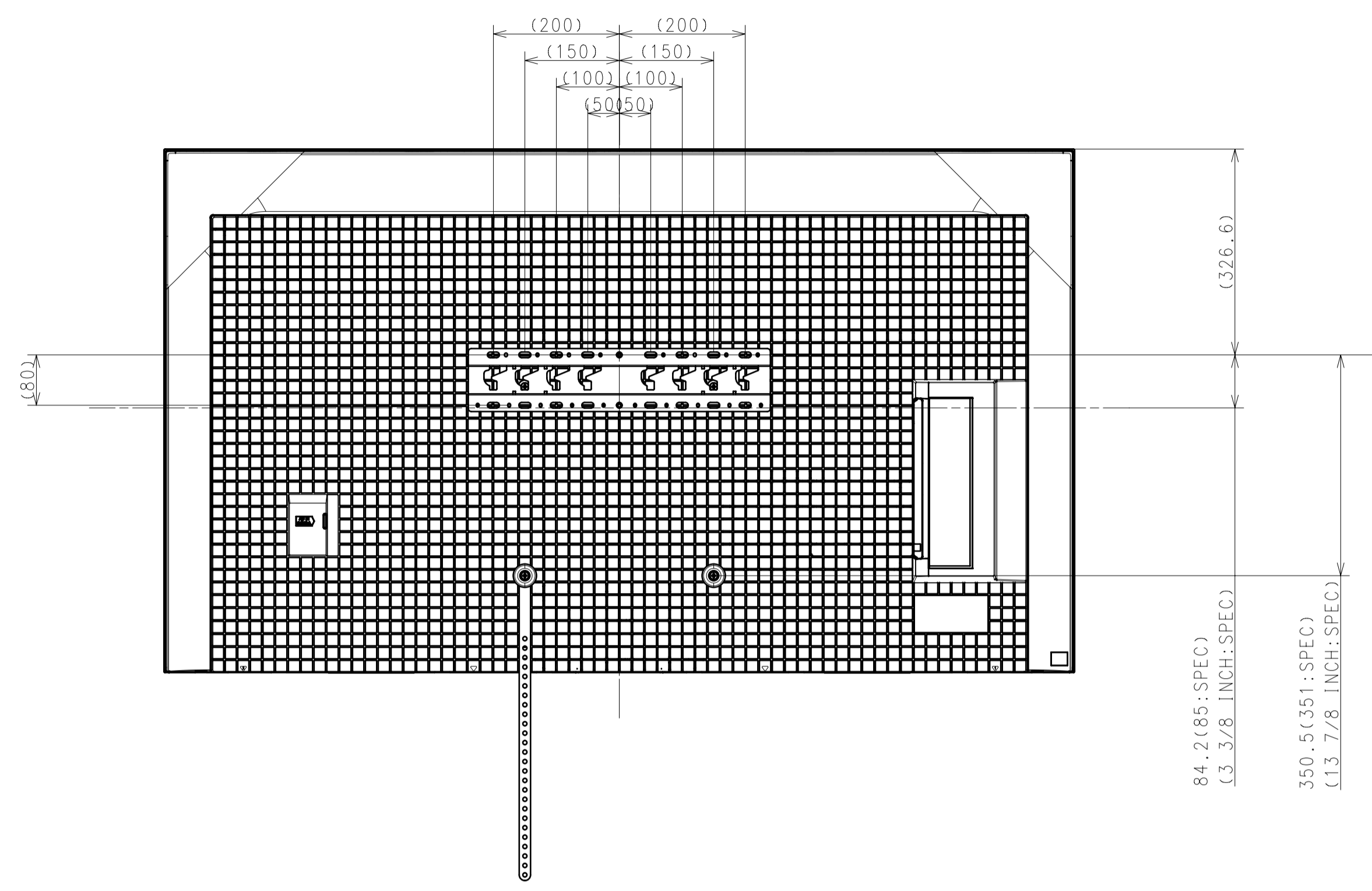
SONY STANDARD

DESCRIPTION	LEGAL OWNER	SCALE
65 (X85L) EXTERIOR VIEW	Sony Corporation	1:7
DESCRIPTION	PART NO.	SHEET/PAGES
65 (X85L) EXTERIOR VIEW		4 / 6

SU-WL450

STANDARD

SLIM

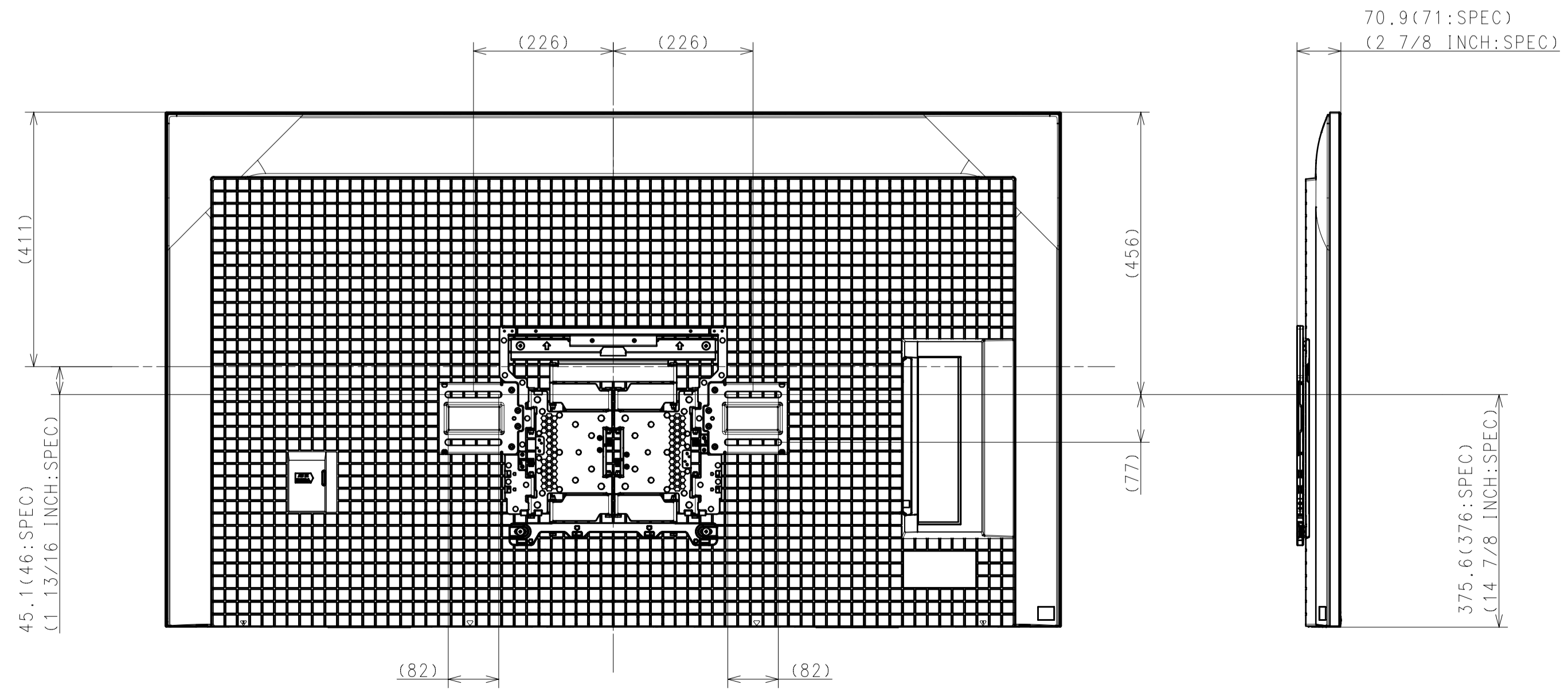
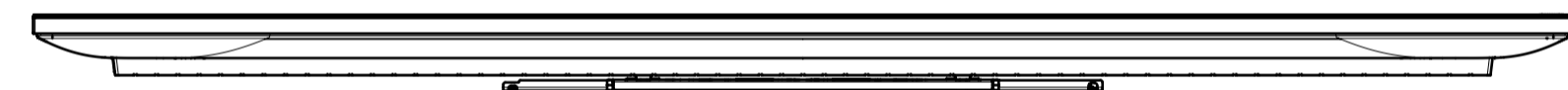
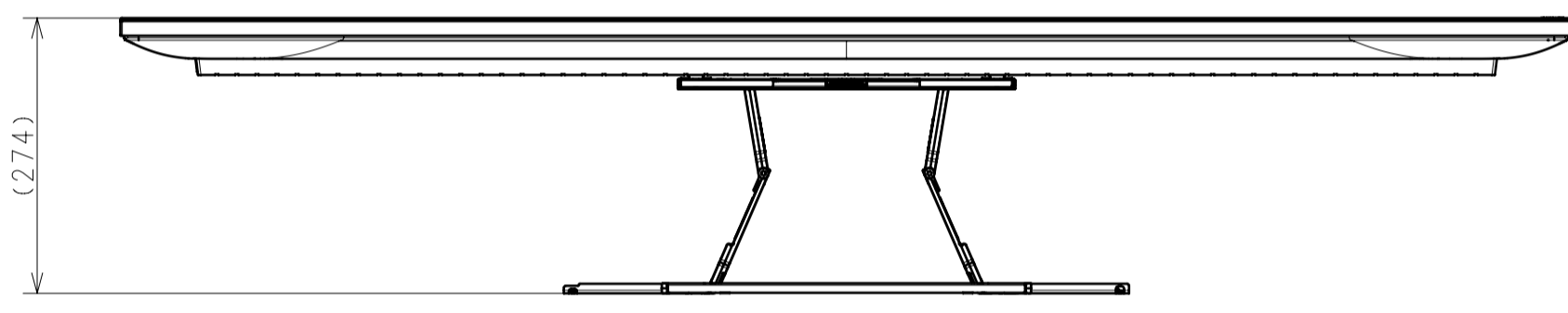
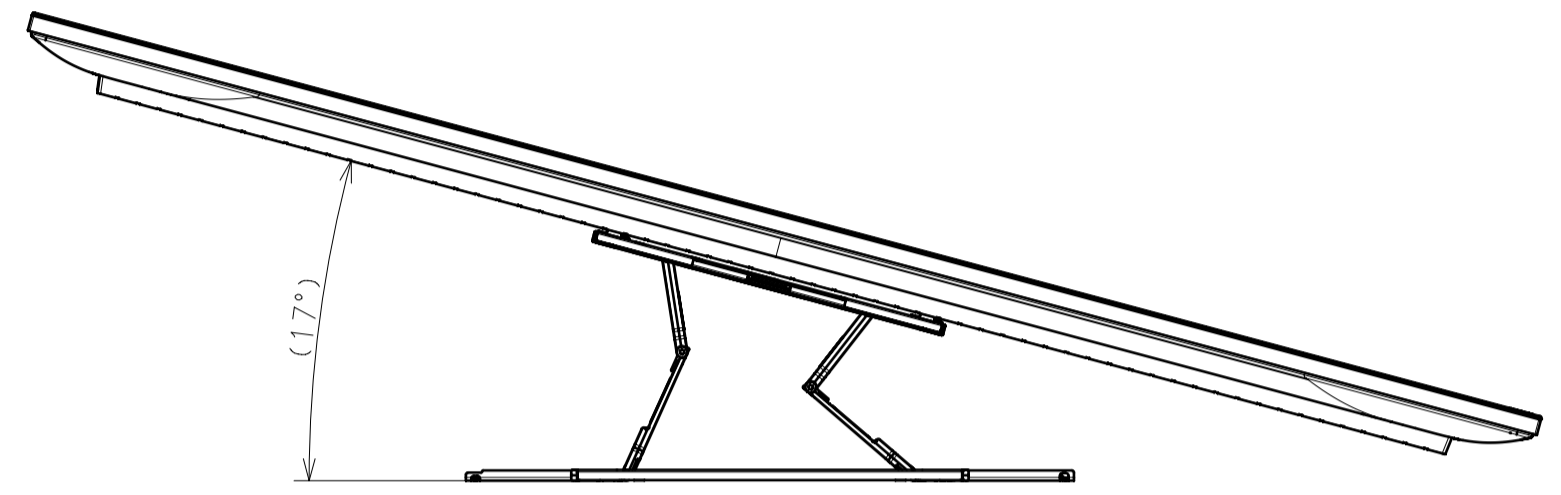
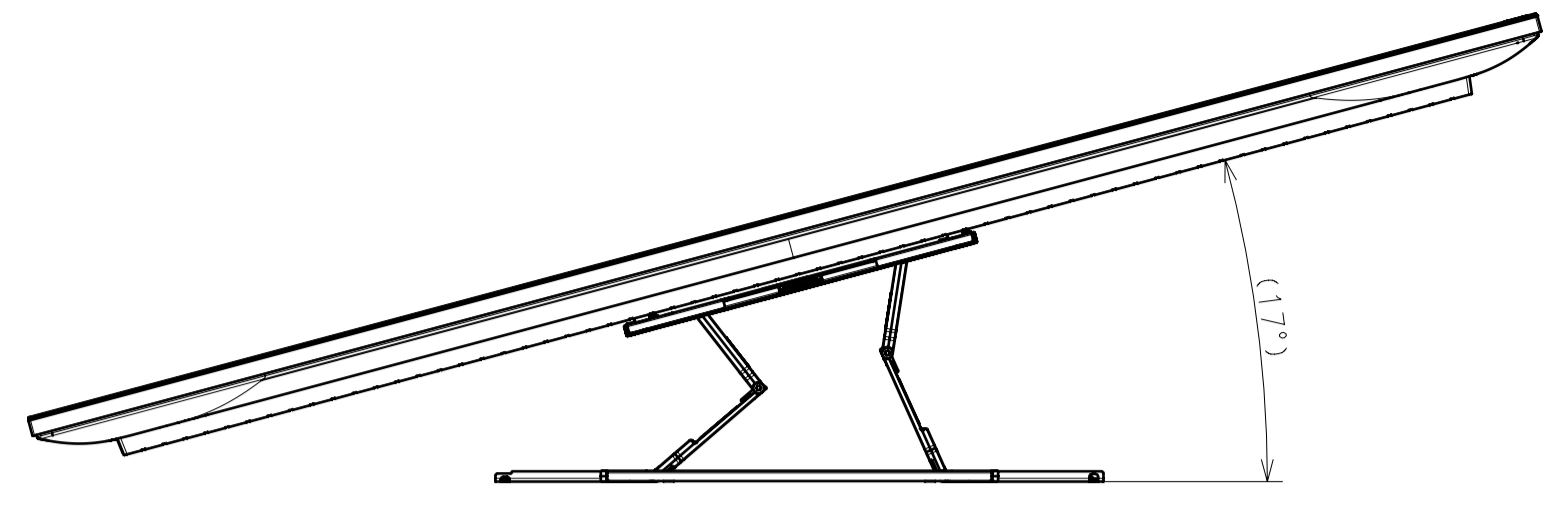


SHARING

SONY STANDARD

DESCRIPTION 1	LEGAL OWNER	SCALE
65 (X85L) EXTERIOR VIEW	Sony Corporation	1:7
DESCRIPTION 2	PART NO.	SHEET/PAGES
65 (X85L) EXTERIOR VIEW		5/ 6

SU-WL850



DESCRIPTION	LEGAL OWNER	SCALE
65 (X85L) EXTERIOR VIEW	Sony Corporation	1:7
DESCRIPTION	PART NO.	SHEET/PAGES
65 (X85L) EXTERIOR VIEW		6 / 6