

ring



Stick Up Cam **Battery**

1. Set up your Stick Up Cam.

Download the Ring app.

The Ring app walks you through setting up and managing your Stick Up Cam.

Search for “Ring” in one of the app stores below, or visit: ring.com/app



Grab your Wi-Fi password.

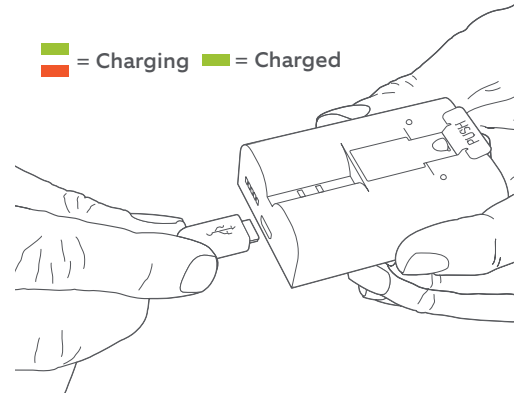
You'll need it to set up your Stick Up Cam.

Write it down below so it's handy when you need it:

Charge the provided battery.

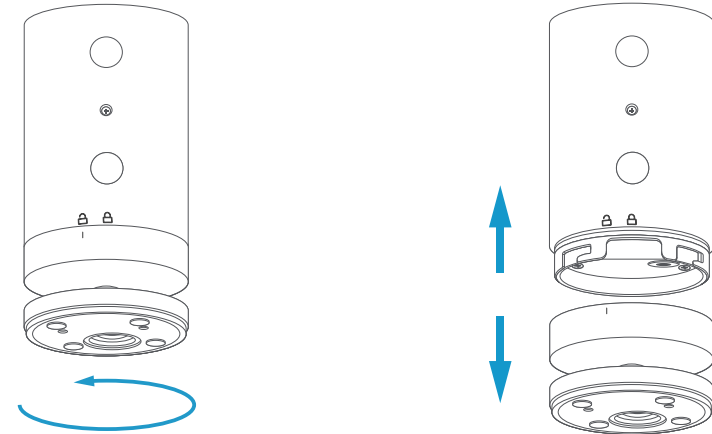
First, fully charge the battery by plugging it into a USB power source using the provided orange cable.

The battery is fully charged when just one LED is lit.



Remove the battery cover.

Twist the battery cover counterclockwise to unlock, then remove it from your Stick Up Cam.



Insert the battery.

Insert the charged battery into the bottom of your Stick Up Cam until it clicks into place.

Now place the battery cover back onto your Stick Up Cam.

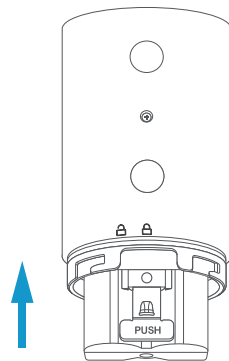
Set up your Stick Up Cam in the Ring app.

In the Ring app, select **Set Up a Device**.

When prompted, select **Security Cams** and follow the in-app instructions.

Try it out!

After setup, tap the Live View button in the Ring app to see live video from your Stick Up Cam.



2. Install your Stick Up Cam.

Choose a location.

Stick Up Cam is happy just about anywhere, indoors or out. It comes ready to sit on a flat surface like a table or shelf, but can also be mounted to a wall.

Choose a spot where it can provide the view you want.



Table or shelf



Mounted on a wall

Blue light flashing?

If the light on the front of your Stick Up Cam is flashing after setup, it's updating its software.

Do not remove the battery from your Stick Up Cam while the light is flashing!

Wanna mount to a ceiling?

Mount to a ceiling with the Ring Stick Up Cam Mount (sold separately).

How to use Stick Up Cam on a table or shelf:

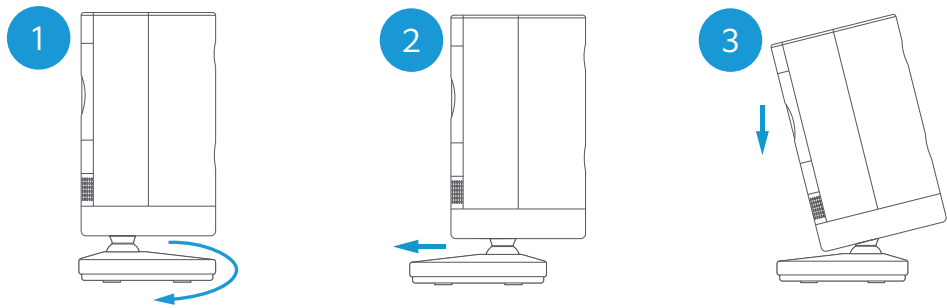


Insert the charged battery, then place it at your chosen location. Your Stick Up Cam is now ready to protect you.

Once you're done, check out the live video in the Ring app to make sure you have the view you want.

If you'd like a downward camera angle...

Swivel the base around so that the long side faces the front, then tilt your Stick Up Cam so it points downward.



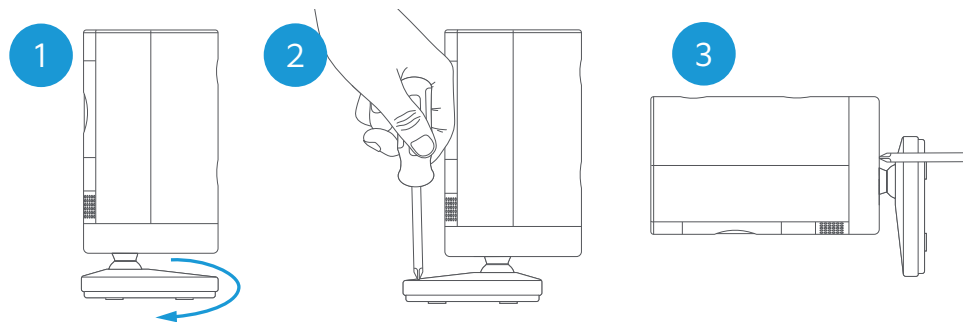
Install the security screws (optional).

Your Stick Up Cam comes with two optional **security screw locations**.

One secures the battery compartment, and the other secures the mounting bracket to the base. To use them, open the battery compartment and/or remove the mounting bracket, then pop out the rubber plug(s).



- 1 Swivel the base so the long side faces the front.
- 2 Insert and drive the security screw into the base screw location with a standard Phillips-head screwdriver (not included).
- 3 Turn your Stick Up Cam over to access the battery compartment screw hole, and drive the second security screw.

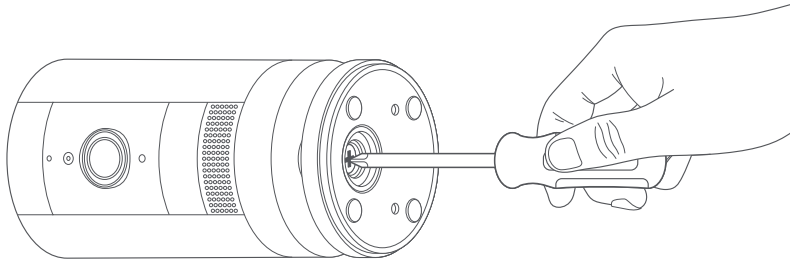


How to install Stick Up Cam on a wall:



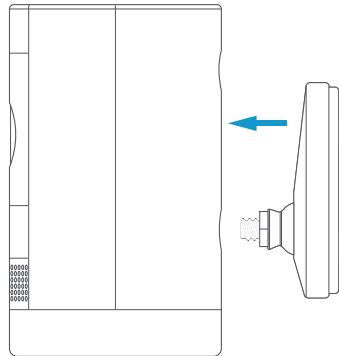
Remove the base.

Unscrew it using a standard Phillips-head screwdriver (not included).



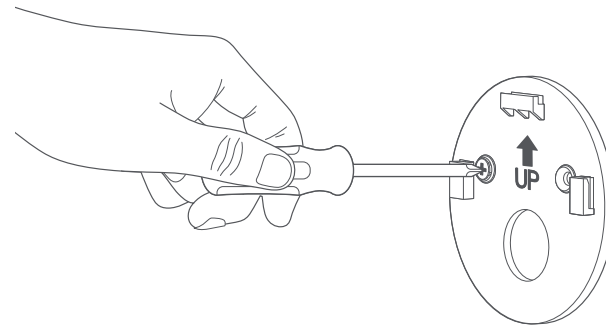
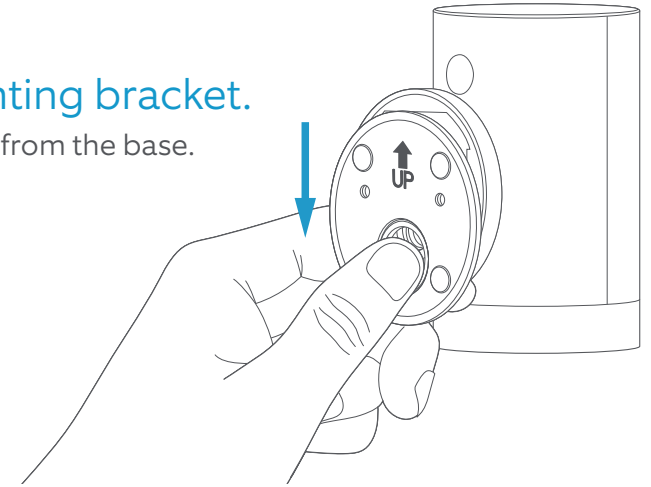
Re-attach the base.

Screw it into the back of your Stick Up Cam with the "UP" arrow on the bracket pointing upward.



Remove the mounting bracket.

Slide it down to remove it from the base.

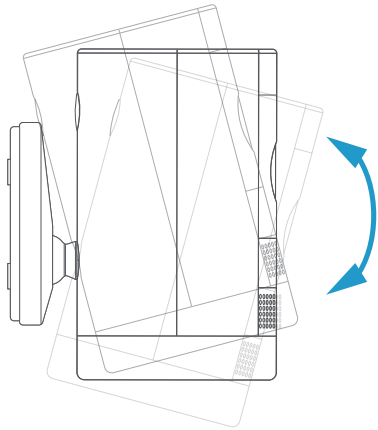
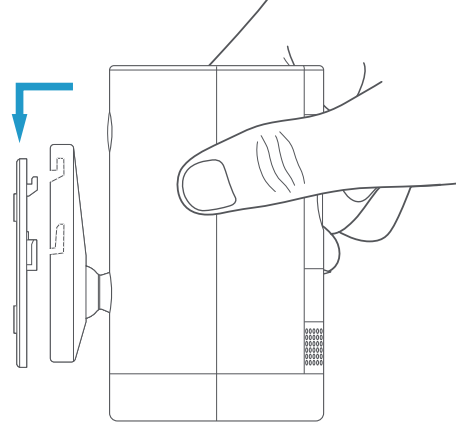


Drive the screws.

Hold the bracket against your wall, making sure the "UP" arrow is pointing upward, and mount it with the included screws.

Mount your Cam.

Guide the grooves in the base onto the hooks on the bracket. Slide Stick Up Cam down to secure it to the wall.



Check it out!

Now rotate it to your desired angle, and check out the live video in the Ring app to make sure you have the view you want.

Install the security screws (optional).

Your Stick Up Cam comes with two optional **security screw locations**.

One secures the mounting bracket to the base, and the other secures the battery compartment.

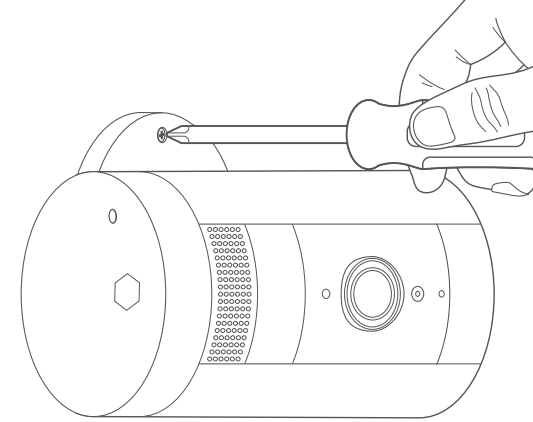
To access them after you've mounted your Stick Up Cam, rotate it to either side.

To install the base screw...

First, slide your Stick Up Cam off of the mounting bracket.

Pop the rubber plug out of the base, then place Stick Up Cam back on the bracket.

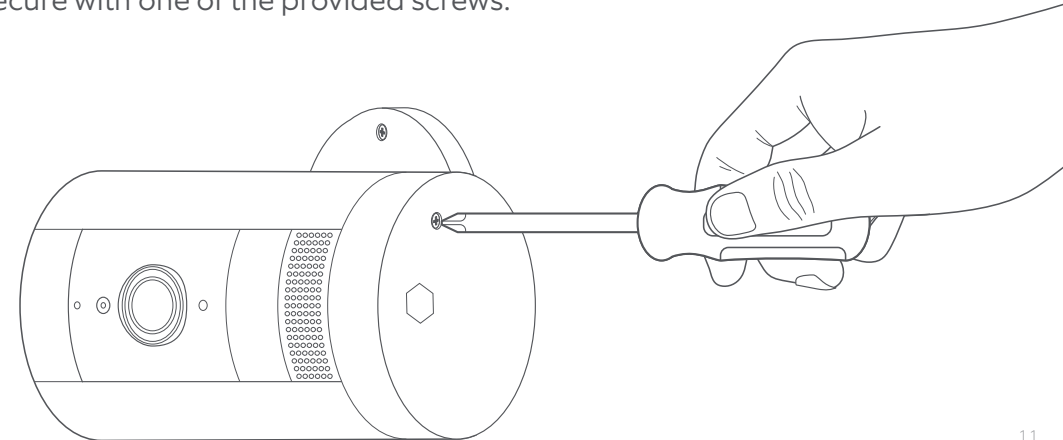
Secure with one of the provided screws.



To install the battery compartment screw...

Remove the battery compartment, pop out the rubber plug, then replace the battery compartment on your Stick Up Cam.

Secure with one of the provided screws.



For additional help, visit: ring.com/help

Or give us a call...

[US 1 800 656 1918](tel:18006561918)

[Canada 1 855 300 7289](tel:18553007289)

[Worldwide +1 310 929 7085](tel:+13109297085)

For a list of all our customer support numbers, visit:
ring.com/callus

To review your warranty coverage, please visit www.ring.com/warranty.

© 2019 Ring LLC or its affiliates.

Ring and all related logos are trademarks of Ring LLC or its affiliates.