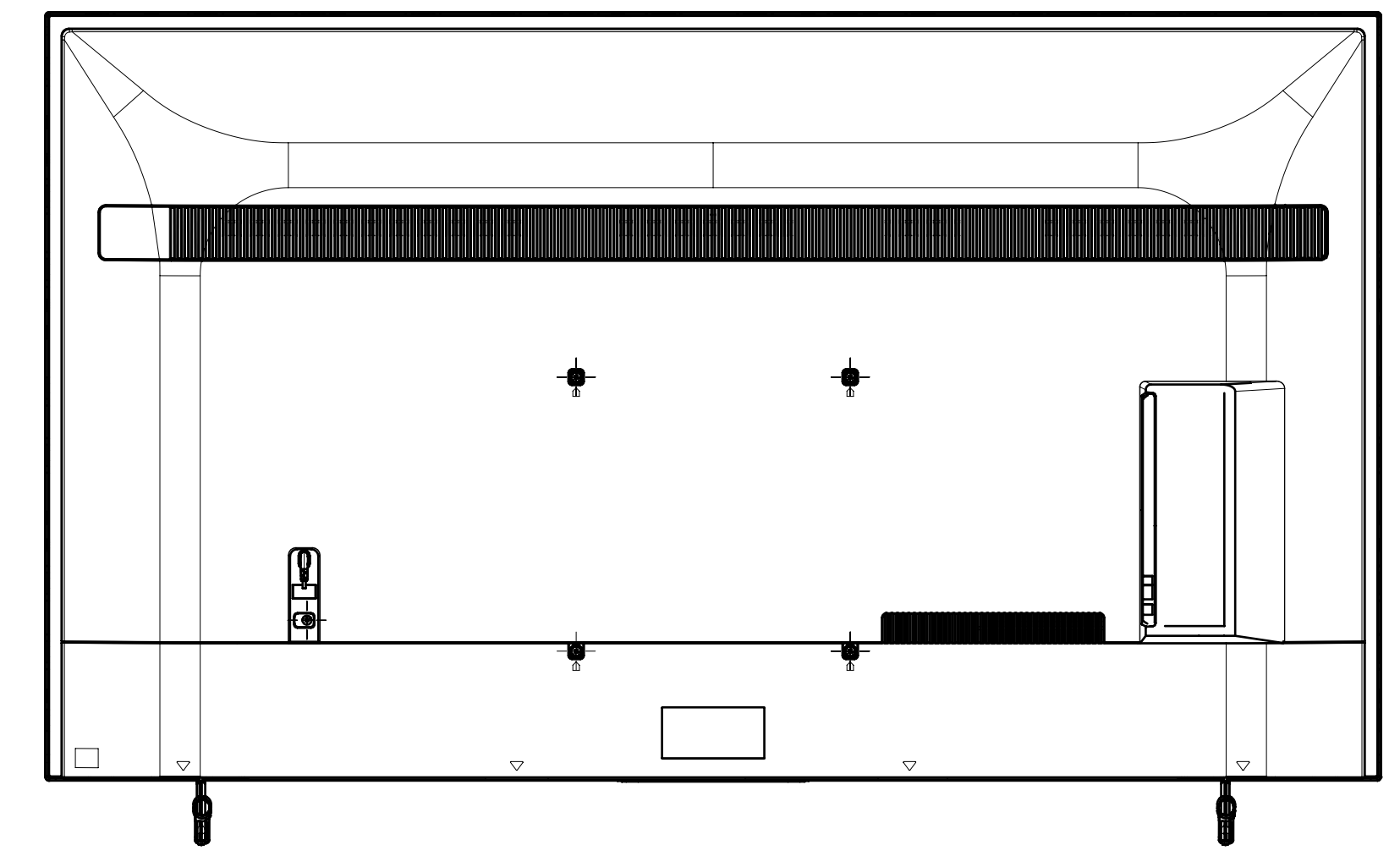
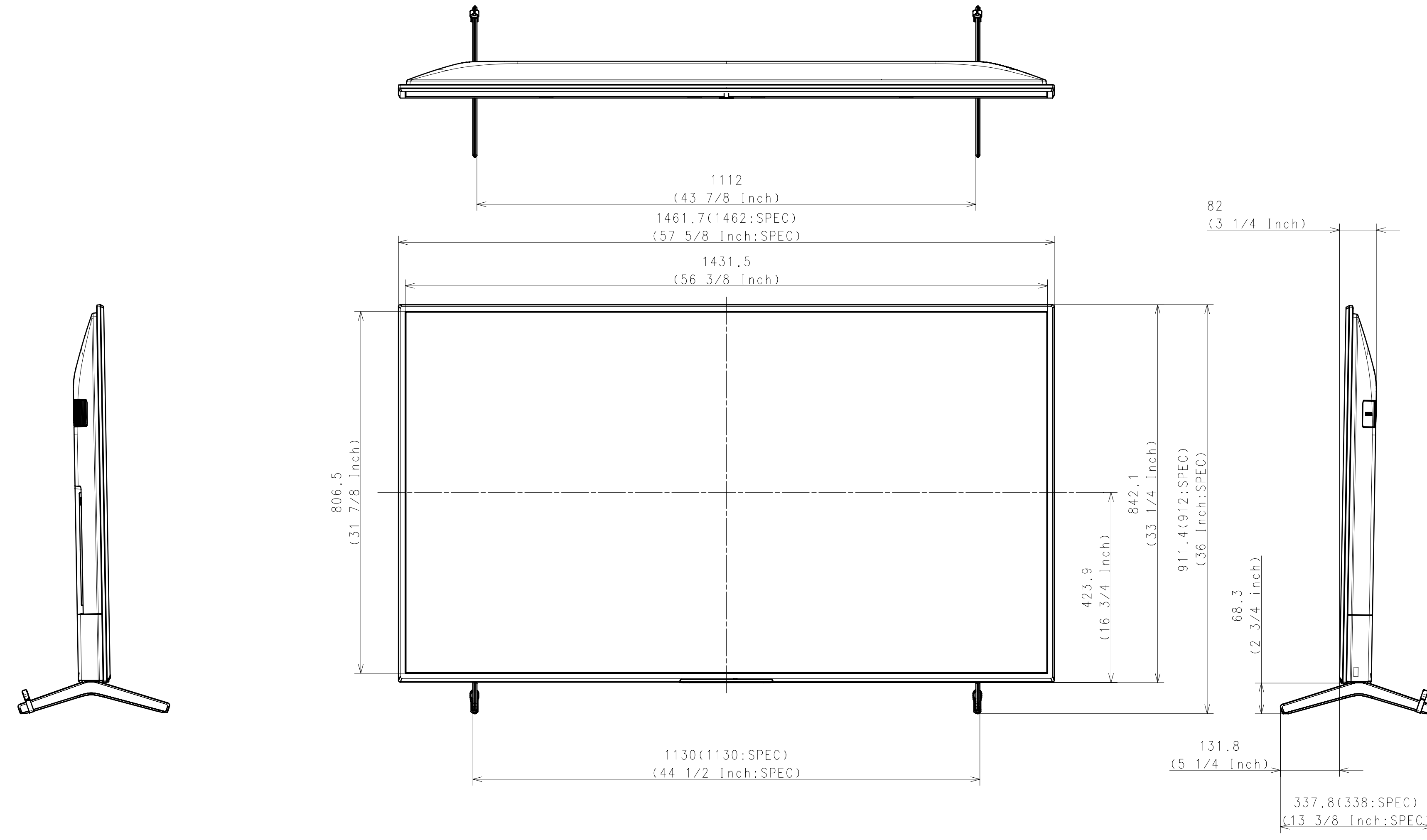


Area	JAPAN	NORTH AMERICA	EUROPE	GENERAL AREA	CHINA	
Model Name	FW-65BZ30L	FW-65BZ30L	FW-65BZ30L	FW-65BZ30L	FW-65BZ30L	
SV No.	SV-41553	SV-41403	SV-41485	SV-41486	SV-41511	
DIMENSION	TV only (W x H x D)	146.2 x 84.2 x 7.1 cm	1462 x 842 x 71 mm / 57 5/8 x 33 1/4 x 2 7/8 inch	Approx. 146.2 x 84.2 x 7.1 cm	Approx. 1462 x 842 x 71 mm	Approx. 1462 x 842 x 71 mm
	TV only with camera (W x H x D)	-	-	-	-	-
	TV with Stand (Standard position) (W x H x D)	146.2 x 91.2 x 33.8 cm	1462 x 912 x 338 mm / 57 5/8 x 36 x 13 3/8 inch	Approx. 146.2 x 91.2 x 33.8 cm	Approx. 1462 x 912 x 338 mm	Approx. 1462 x 912 x 338 mm
	TV with Stand (Narrow position) (W x H x D)	-	-	-	-	-
	TV with Stand (Soundbar position) (W x H x D)	-	-	-	-	-
	TV with Stand (Front position style) (W x H x D)	-	-	-	-	-
	TV with Stand (Back position style) (W x H x D)	-	-	-	-	-
	TV with Floor Stand (W x H x D)	-	-	-	-	-
	Stand Width (Standard position)	113.0 cm	1130 mm / 44 1/2 inch	Approx. 113.0 cm	Approx. 1130 mm	Approx. 1130 mm
	Stand Width (Narrow position)	-	-	-	-	-
Stand Width (Soundbar position)	-	-	-	-	-	
Stand Width (Front position style)	-	-	-	-	-	
Stand Width (Back position style)	-	-	-	-	-	
Floor Stand Width	-	-	-	-	-	
VESA Hole Pitch	30.0 x 30.0 cm	300 x 300 mm / 11 7/8 x 11 7/8 inch	30.0 x 30.0 cm	300 x 300 mm	300 x 300 mm	
TV Only	21.2 kg	21.2 kg / 46.7 lb	Approx. 21.2 kg	Approx. 21.2 kg	Approx. 21.2 kg	
TV with Stand (Standard position)	22.1 kg	22.1 kg / 48.7 lb	Approx. 22.1 kg	Approx. 22.1 kg	Approx. 22.1 kg	
TV with Stand (Narrow position)	-	-	-	-	-	
TV with Stand (Soundbar position)	-	-	-	-	-	
TV with Stand (Front/Back position style)	-	-	-	-	-	
TV with Floor Stand	-	-	-	-	-	
Floor Stand weight (Supply)	-	-	-	-	-	
W-M't Br. Weight (Supply)	-	-	-	-	-	
Remarks		Optional stand	Optional stand			

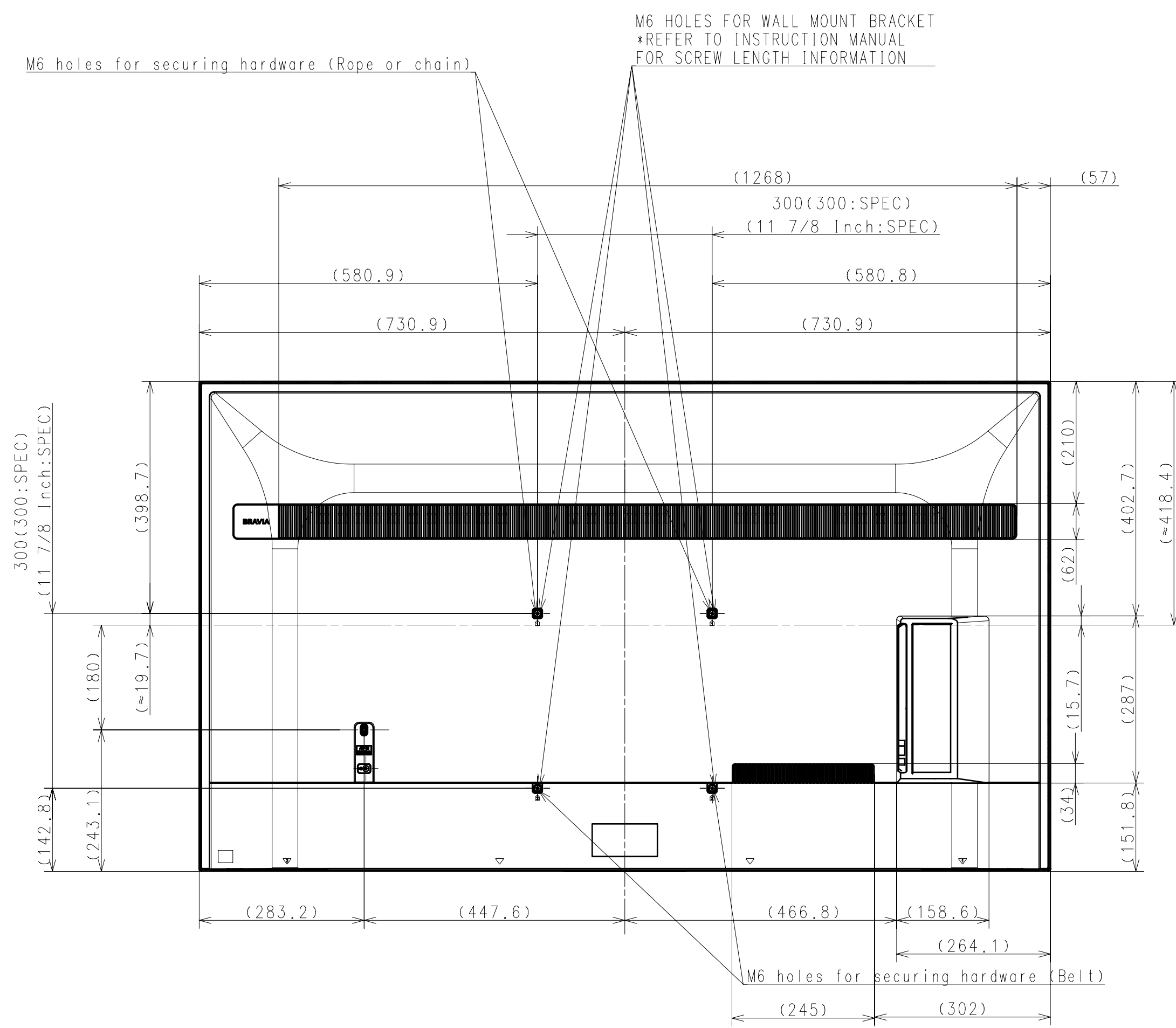
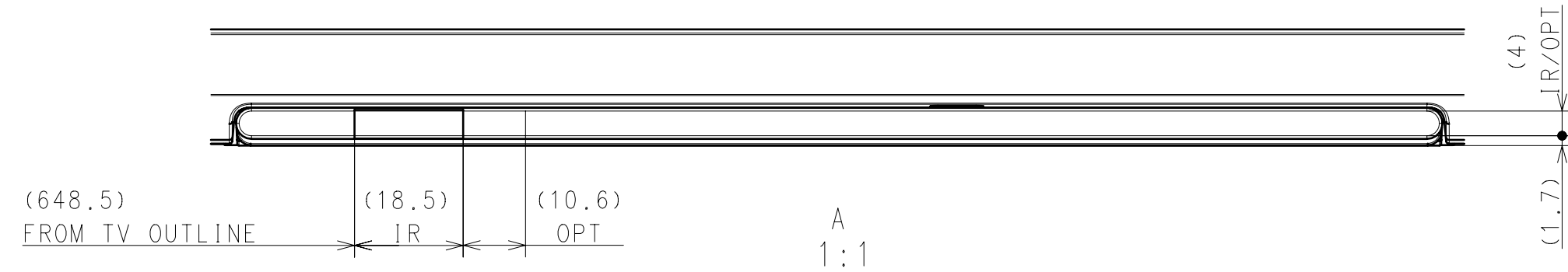
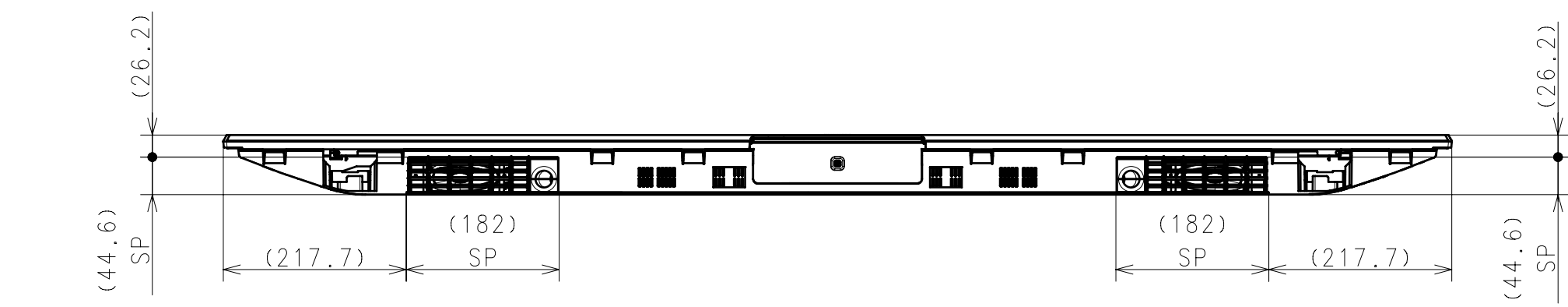
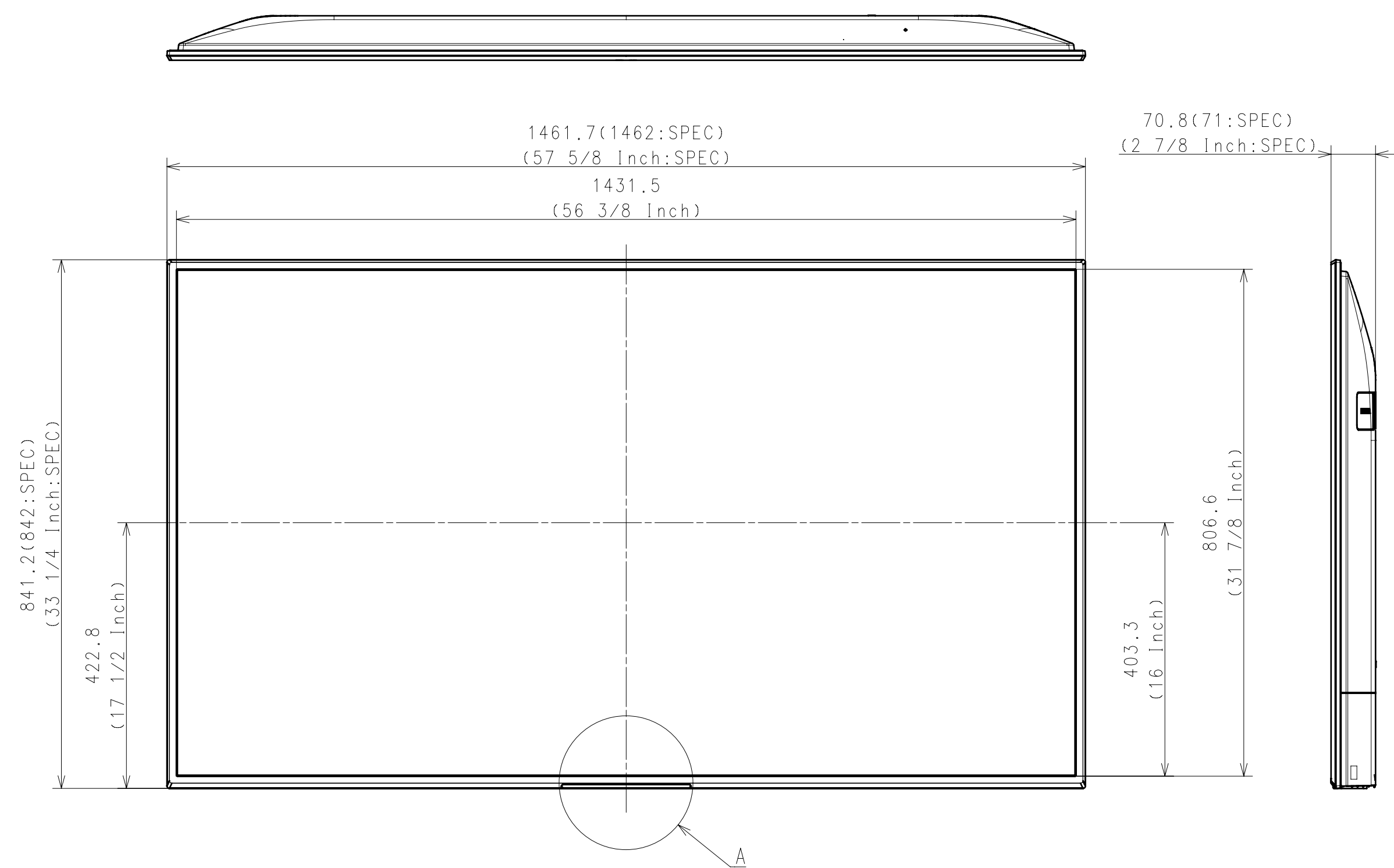
WITH STAND



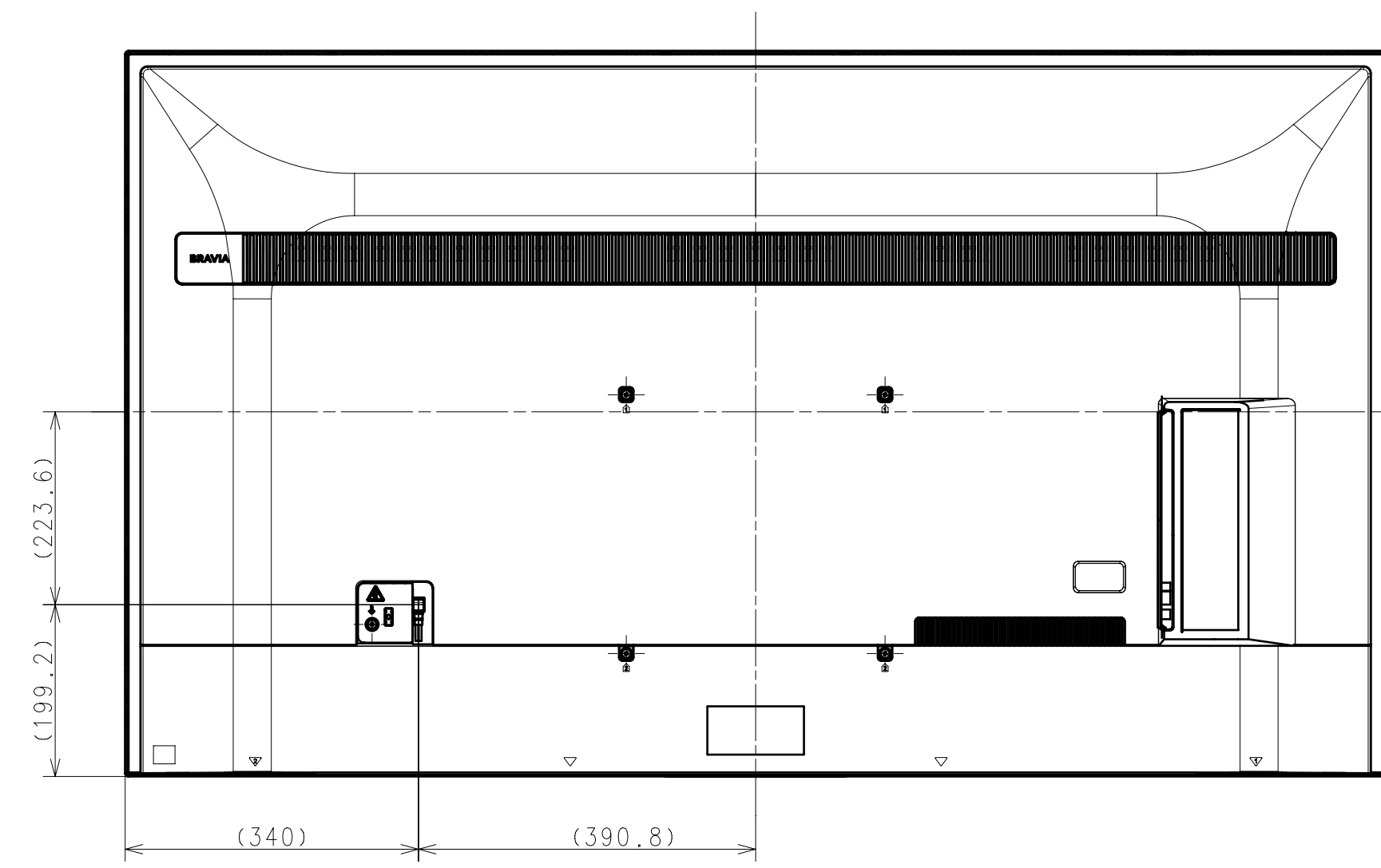
Purchase recycled resins and wire rods only from the business partners that Sony approves as Green Partners.
 再生樹脂・銅線棒は必ずグリーンパートナーからのご購入をお願いします。

△x	2020.11.19	CORRECT INFORMATION(Ver4)	R.Nemoto	GENERAL TOLERANCE	DATE OF ISSUE
△y	2020.11.11	CORRECT INFORMATION(Ver3)	R.Nemoto		2023.01.10
△z	2020.10.30	CORRECT INFORMATION(Ver2)	R.Nemoto		DOCUMENT TYPE
HISTORY & COUNT	SUFFIX AREA NO.	RELEASE NO.	DATE	REVISION	ASSEMBLY DRAWING
LEGAL OWNER					TOLERANCE DRAWING
Sony Corporation					(JIS & JWEI(SO) BASIS)
RESPONSIBLE DEPARTMENT	PLANNED BY	DESIGNED BY	APPROVED BY	SCALE	ORIGINAL MODEL
PLANE L & MECHANICAL DESIGN	2023.01.10	MURAUMEN		1:7	65(BZ30L) EXTERIOR VIEW
DRAWN BY	2023.01.10	MURAUMEN		PREL. METHOD	DESCRIPTION
				A1	65(BZ30L) EXTERIOR VIEW
				UNIT	PAGE NO.
				mm	1 / 4
				SUFFIX	REV. NO.

WITHOUT STAND



For. NORTH AMERICA, GENERAL AREA, CHINA, EUROPE

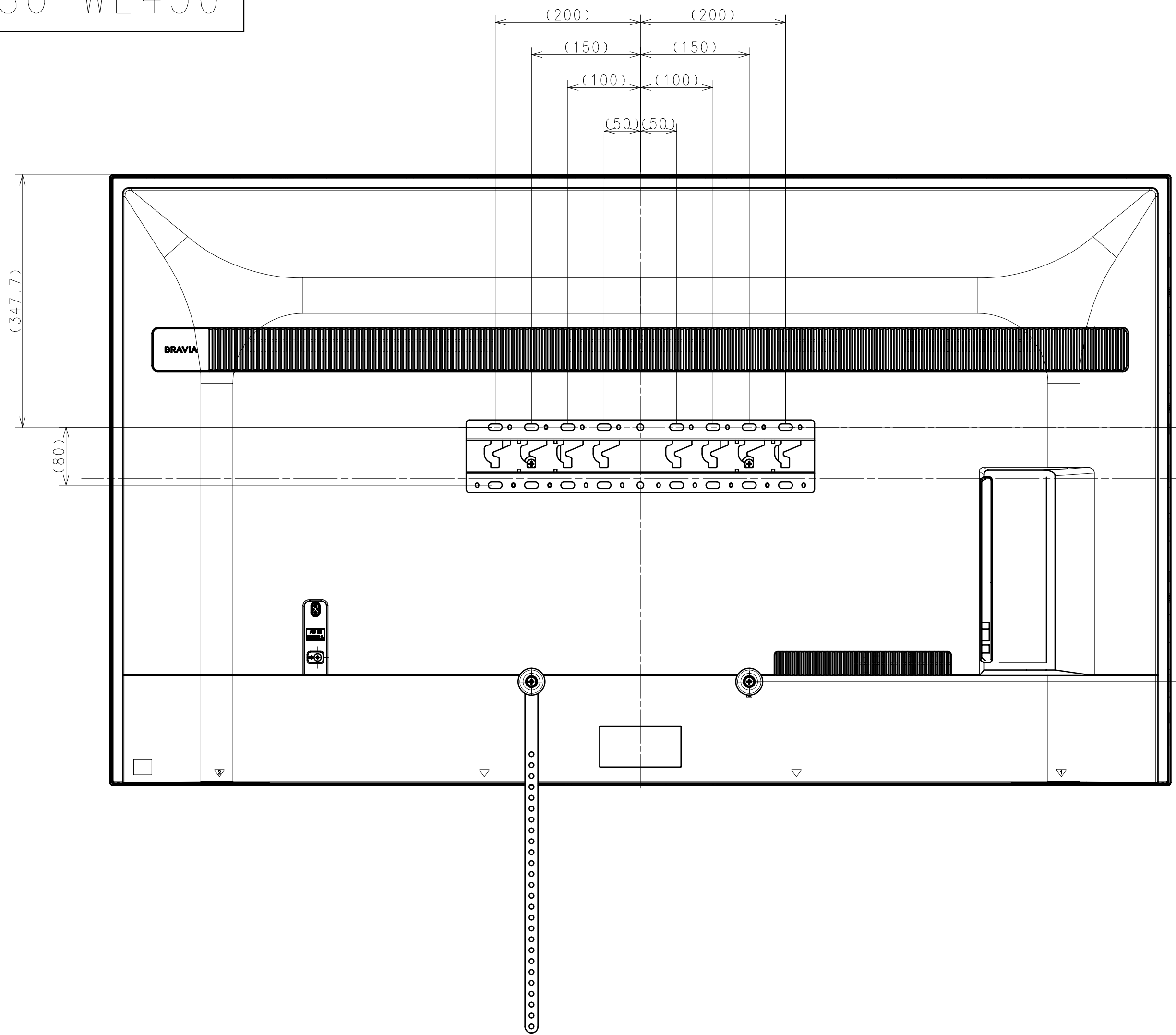


For. JAPAN

SU-WL450

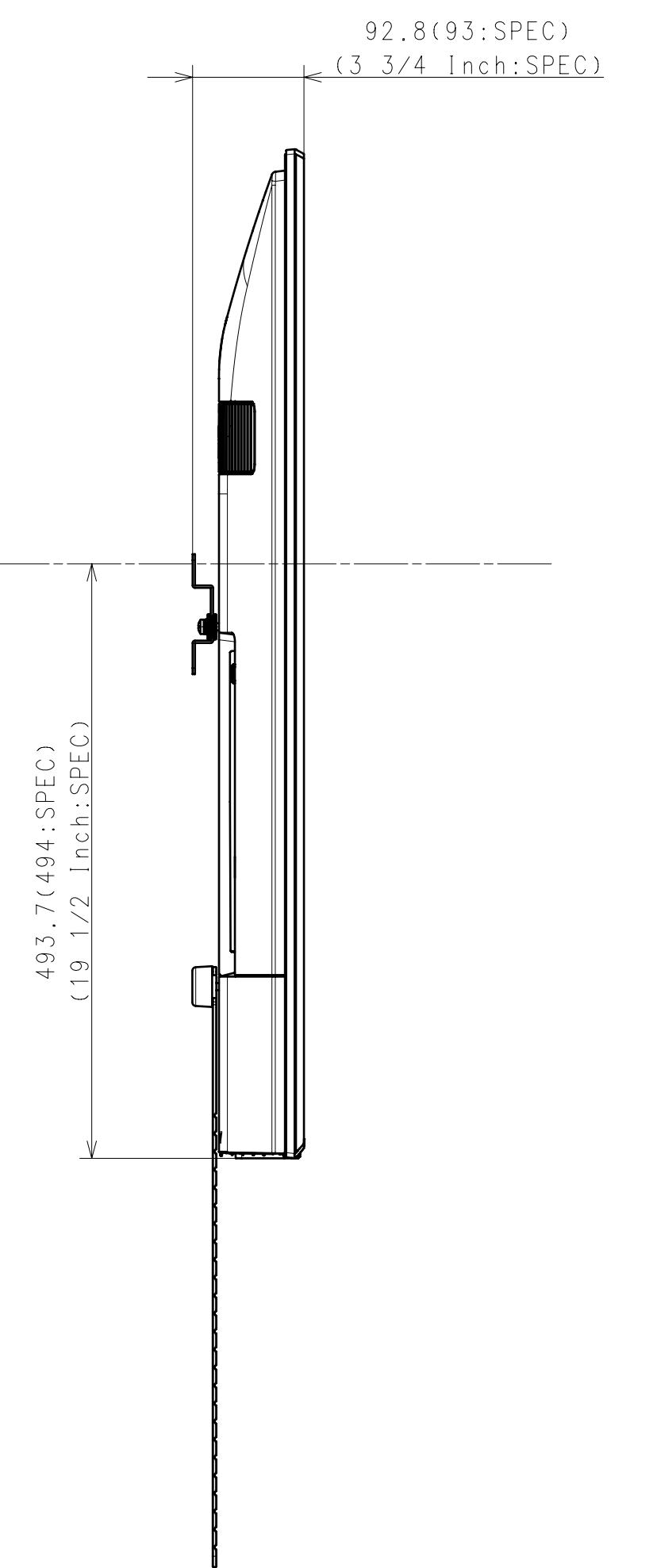
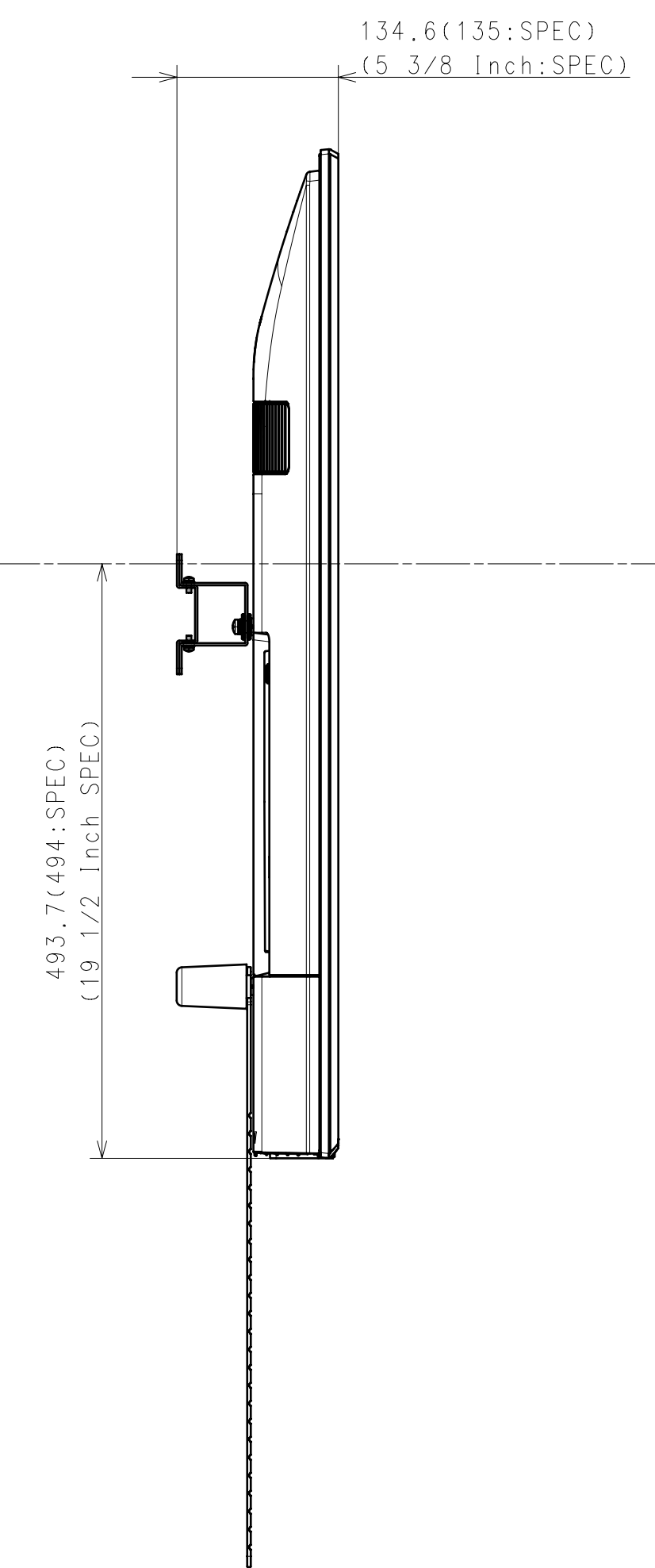
STANDARD

SLIM



70.7(71:SPEC)
(2.778 Inch:SPEC)

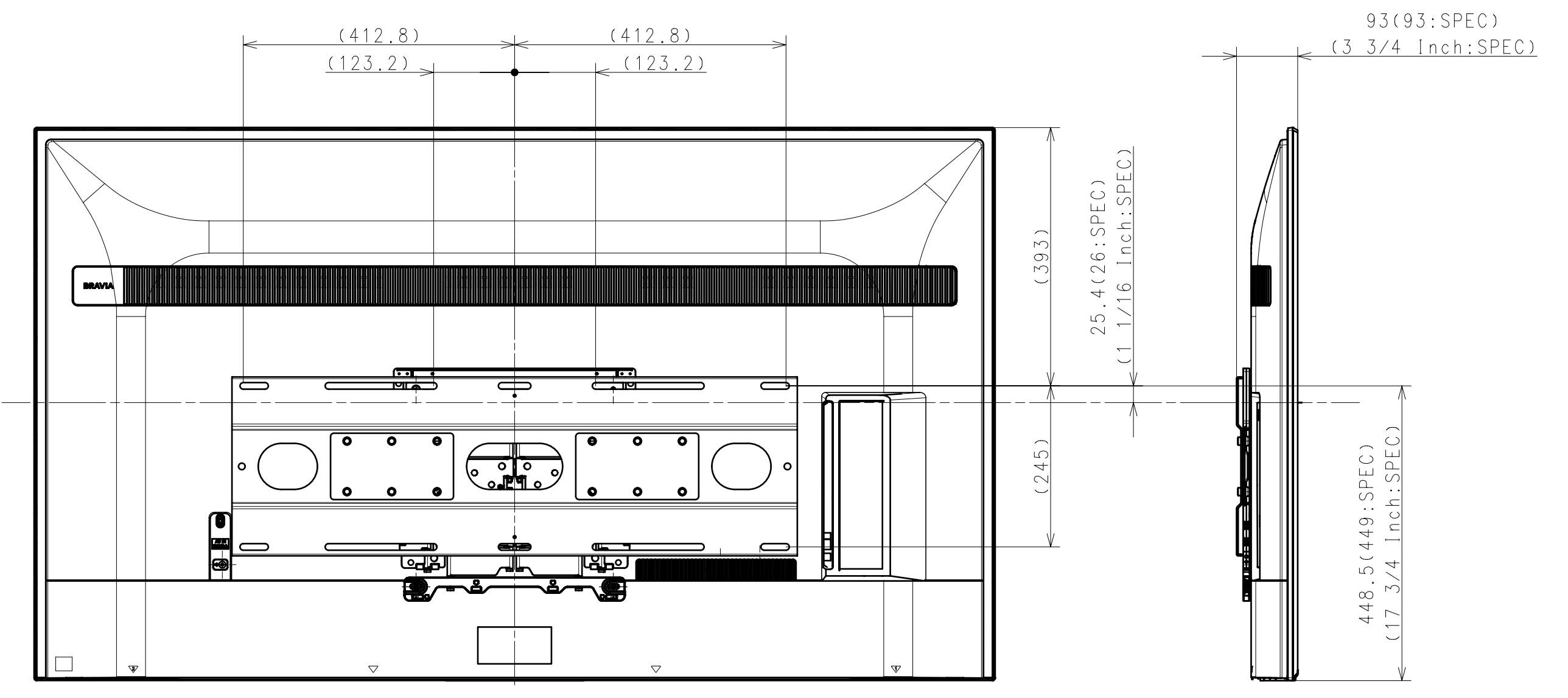
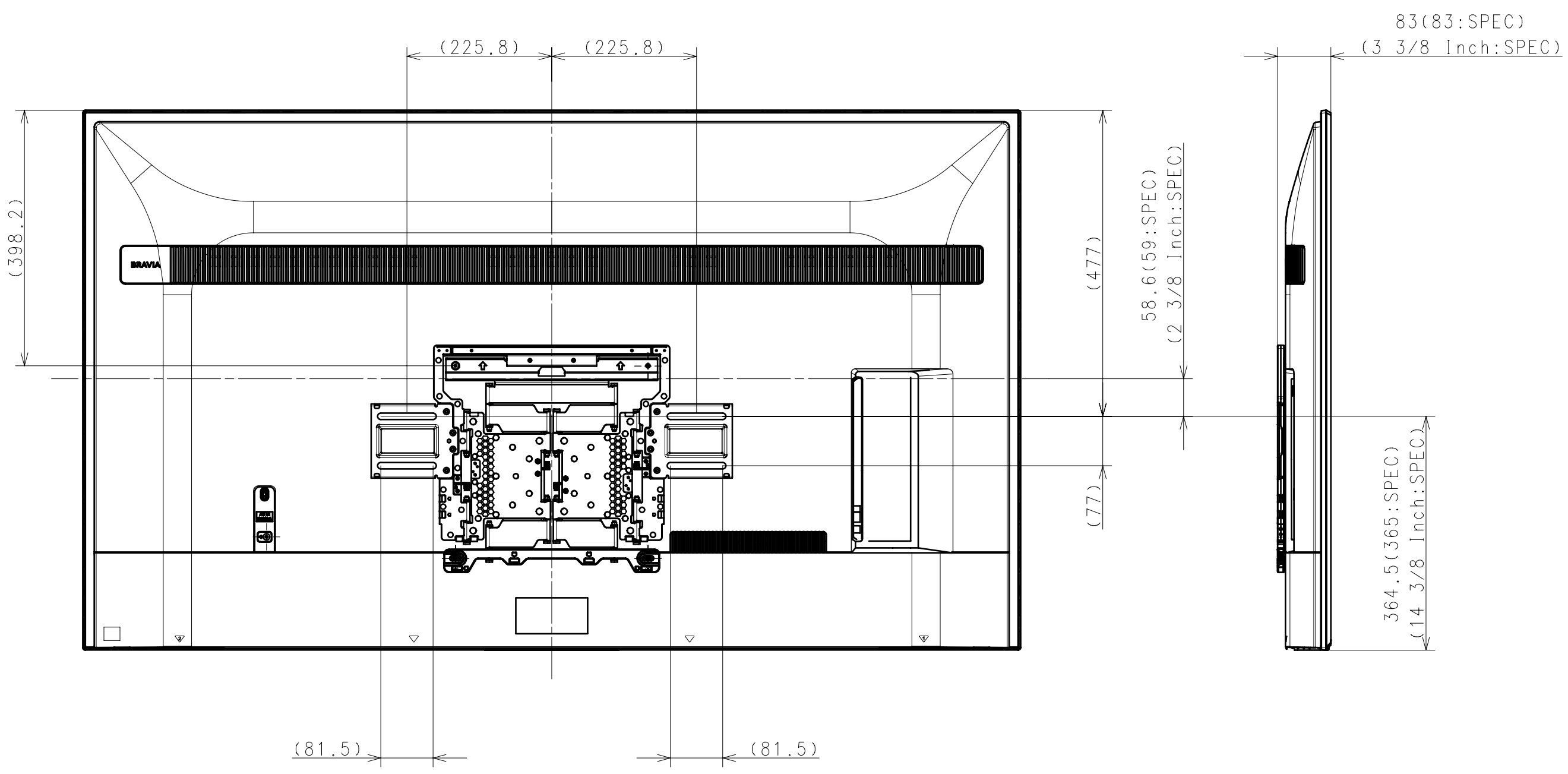
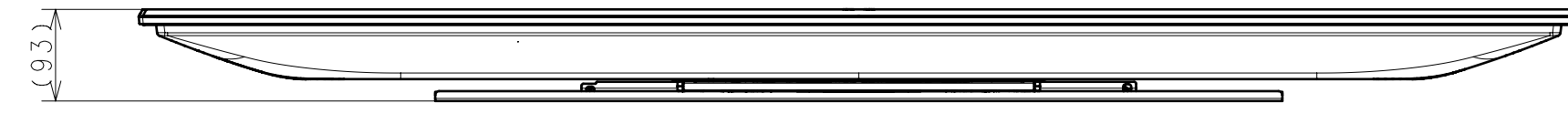
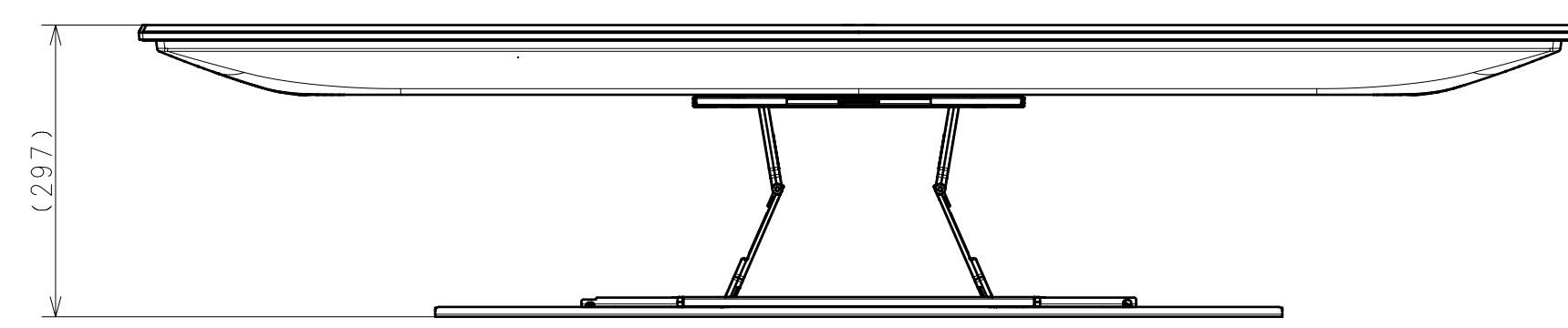
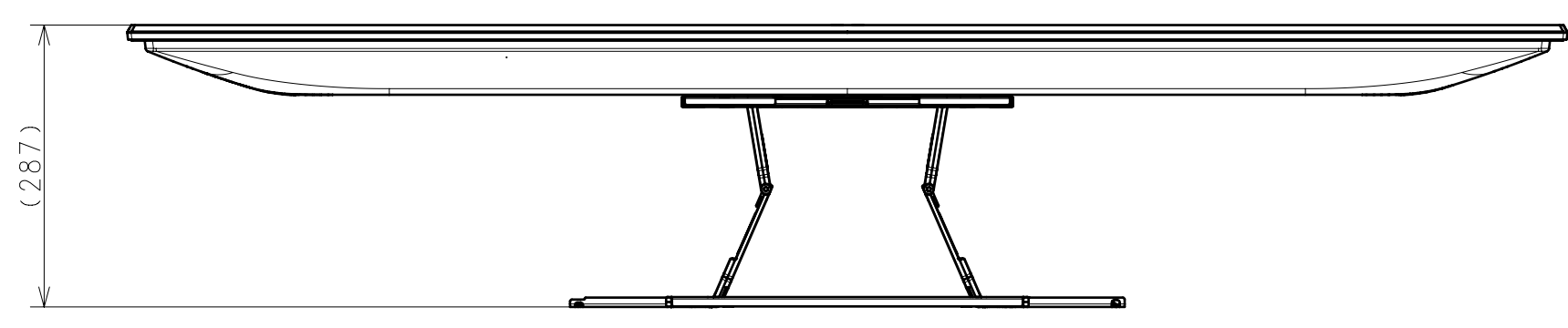
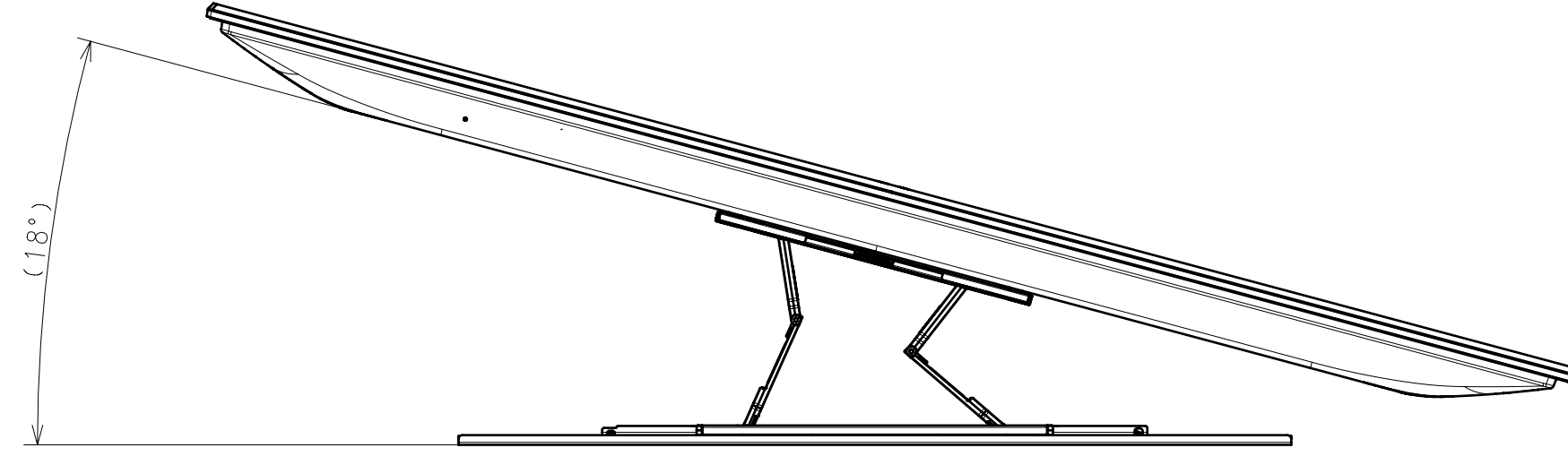
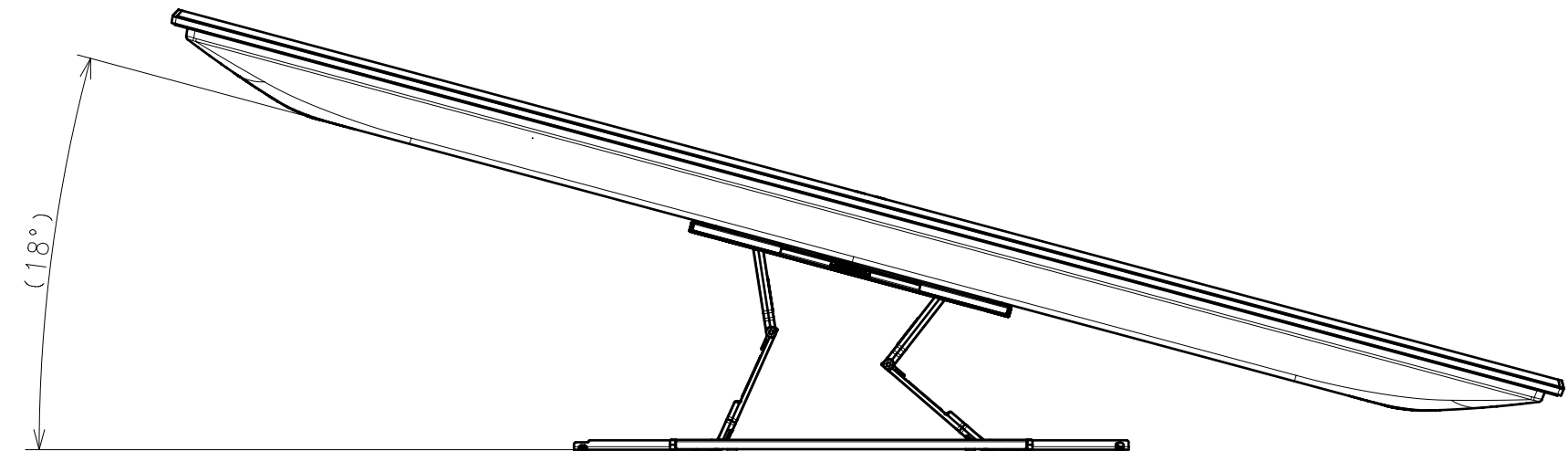
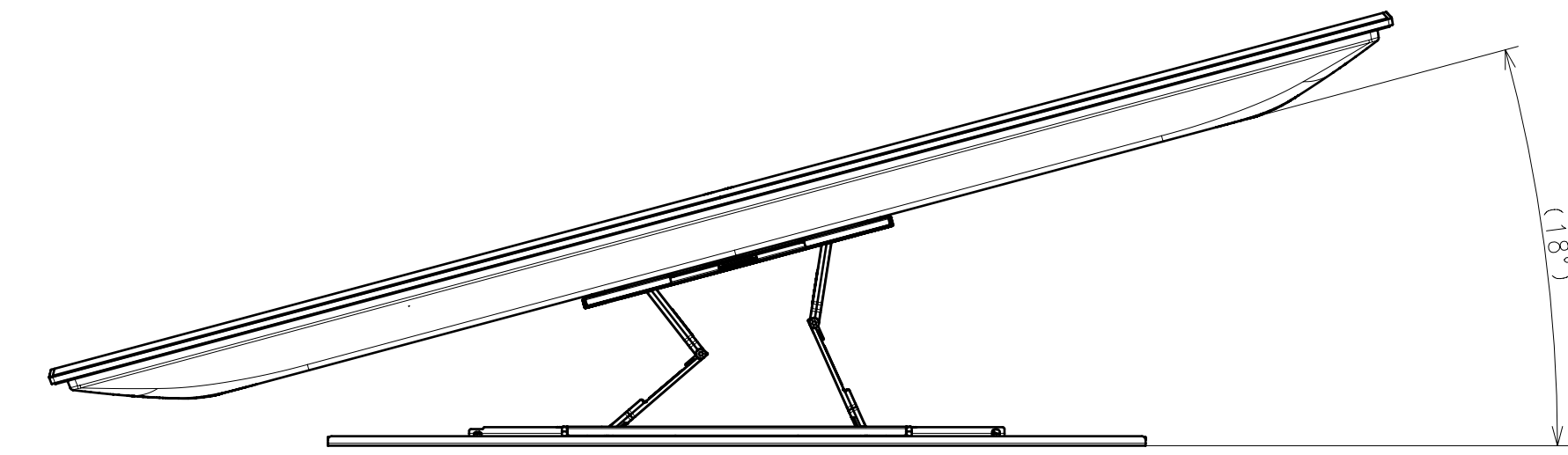
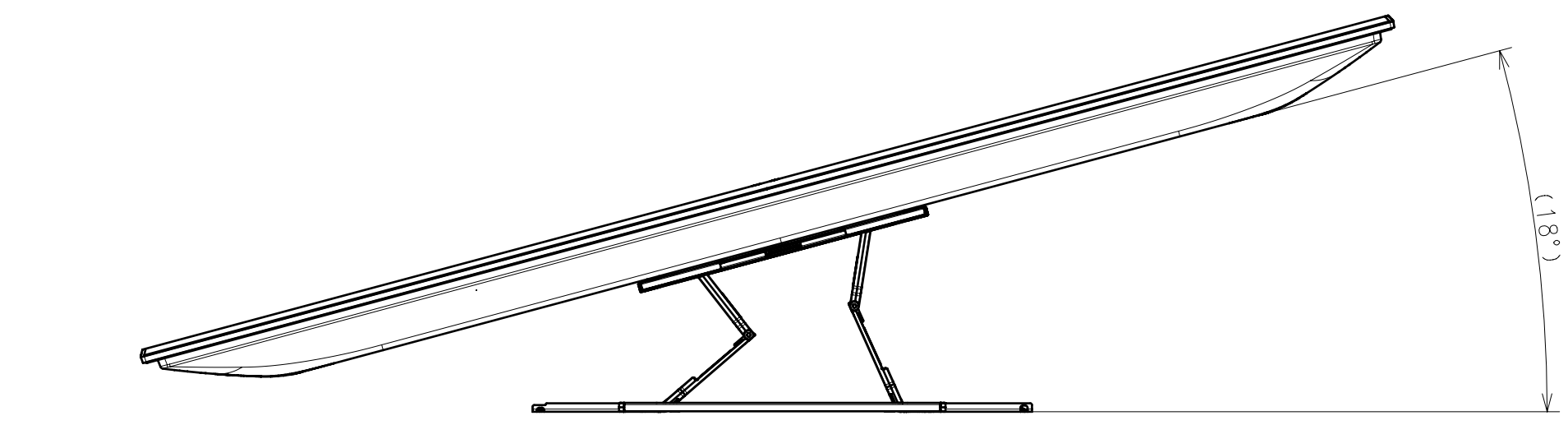
350.5(351:SPEC)
(13.778 Inch:SPEC)



DESCRIPTION 1	LEGAL OWNER	SCALE
65(BZ30L) EXTERIOR VIEW	Sony Corporation	1:5
DESCRIPTION 2	PART NO.	SHEET/PAGES
65(BZ30L) EXTERIOR VIEW		3/4

SU-WL 850

SU-WL 855 WITH LATERAL SHAFT BRACKET



DESCRIPTION 1	65(BZ30L) EXTERIOR VIEW	LEGAL OWNER	Sony Corporation	SCALE	1:7
DESCRIPTION 2	65(BZ30L) EXTERIOR VIEW	PART NO.		SHEET/PAGES	4 / 4
DESCRIPTION 3	65(BZ30L) EXTERIOR VIEW				