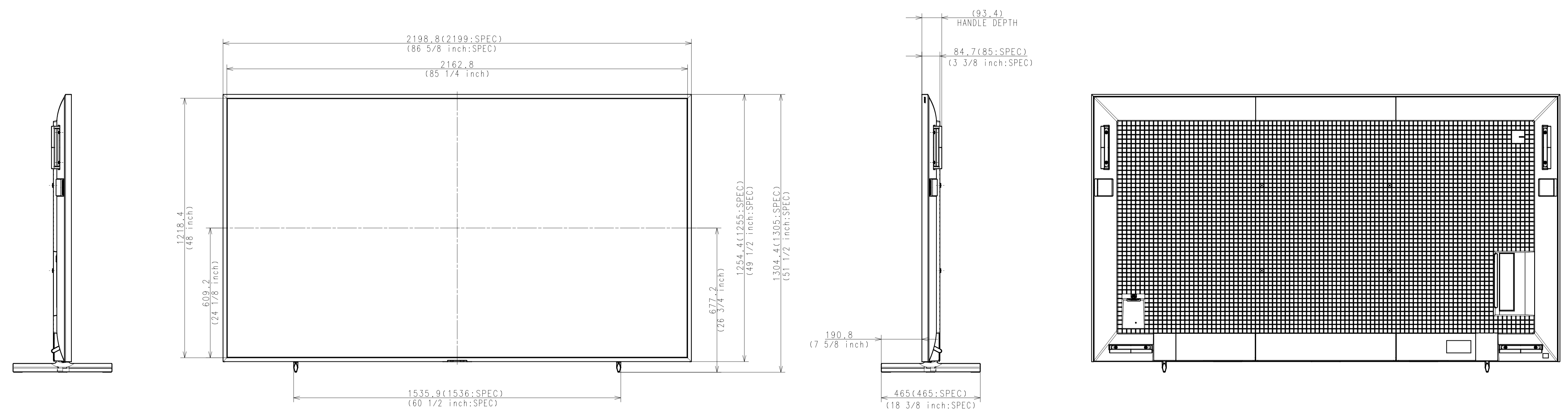
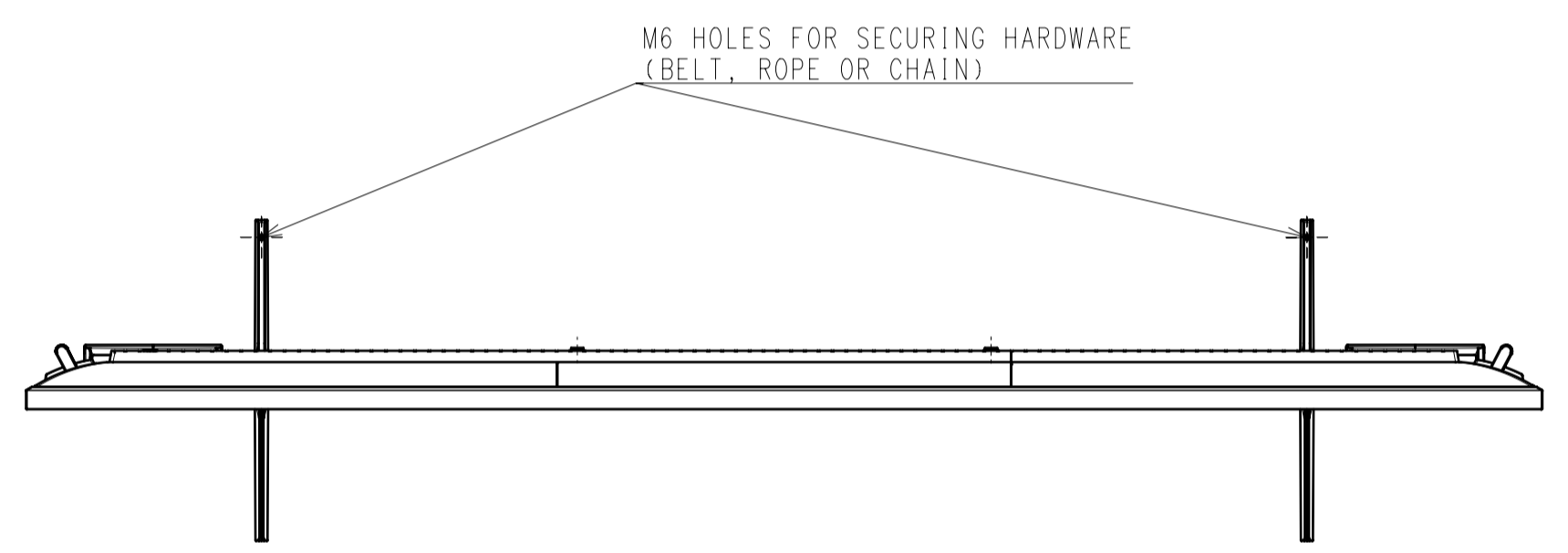


Area	JAPAN	NORTH AMERICA	EUROPE	GENERAL AREA	CHINA	
Model Name	FW-98BZ50L	FW-98BZ50L/FW-98BZ30L	FW-98BZ50L	FW-98BZ50L	FW-98BZ50L	
SV No.	SV-41330	SV-41107/SV-41733	SV-41301	SV-41214	SV-41257	
DIMENSION	TV only (W x H x D)	219.9 x 125.5 x 8.5 cm	2199 x 1255 x 85 mm / 86 5/8 x 49 1/2 x 3 3/8 inch	Approx. 2199 x 1255 x 85 mm	Approx. 2199 x 1255 x 85 mm	
	TV only with camera (W x H x D)	-	-	-	-	
	TV with Stand (Standard position) (W x H x D)	219.9 x 130.5 x 46.5 cm	-	-	Approx. 2199 x 1305 x 465 mm	Approx. 2199 x 1305 x 465 mm
	TV with Stand (Narrow position) (W x H x D)	-	-	-	-	-
	TV with Stand (Soundbar position) (W x H x D)	-	-	-	-	-
	TV with Stand (Front position style) (W x H x D)	-	-	-	-	-
	TV with Stand (Back position style) (W x H x D)	-	-	-	-	-
	TV with Floor Stand (W x H x D)	-	-	-	-	-
	Stand Width (Standard position)	153.6 cm	-	-	Approx. 1536 mm	Approx. 1536 mm
	Stand Width (Narrow position)	-	-	-	-	-
	Stand Width (Soundbar position)	-	-	-	-	-
	Stand Width (Front position style)	-	-	-	-	-
	Stand Width (Back position style)	-	-	-	-	-
	Floor Stand Width	-	-	-	-	-
VESA Hole Pitch	60.0 x 40.0 cm	600 x 400 mm / 23 5/8 x 15 3/4 inch	60.0 x 40.0 cm	600 x 400 mm	600 x 400 mm	
WEIGHT	TV Only	67.2 kg	67.2 kg / 148.1 lb	Approx. 67.2 kg	Approx. 67.2 kg	
	TV with Stand (Standard position)	68.9 kg	-	-	Approx. 68.9 kg	
	TV with Stand (Narrow position)	-	-	-	-	
	TV with Stand (Soundbar position)	-	-	-	-	
	TV with Stand (Front/Back position style)	-	-	-	-	
	TV with Floor Stand	-	-	-	-	
	Floor Stand weight (Supply)	-	-	-	-	
W-M't Br. Weight (Supply)	-	-	-	-		
Remarks						

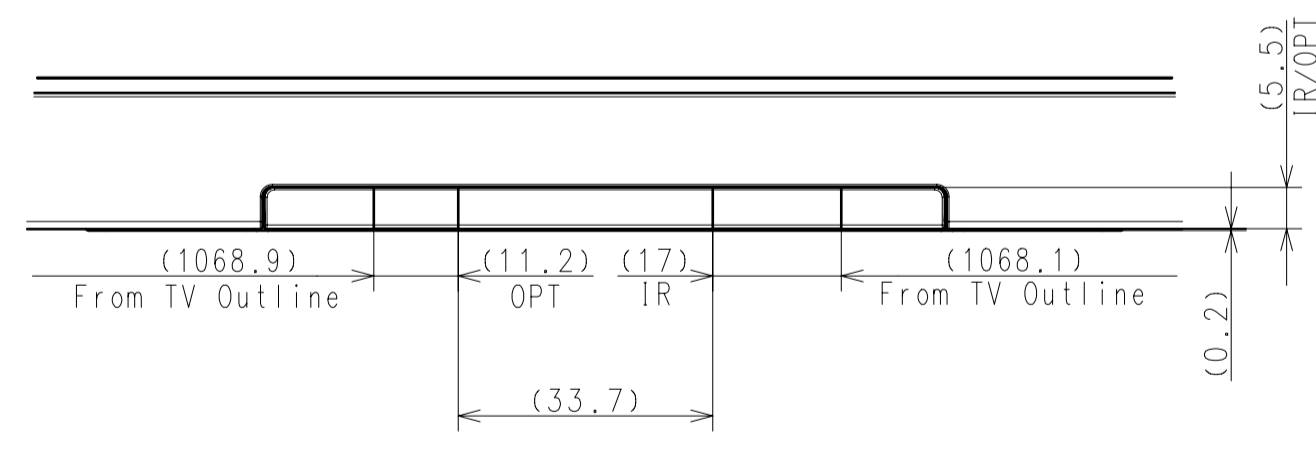
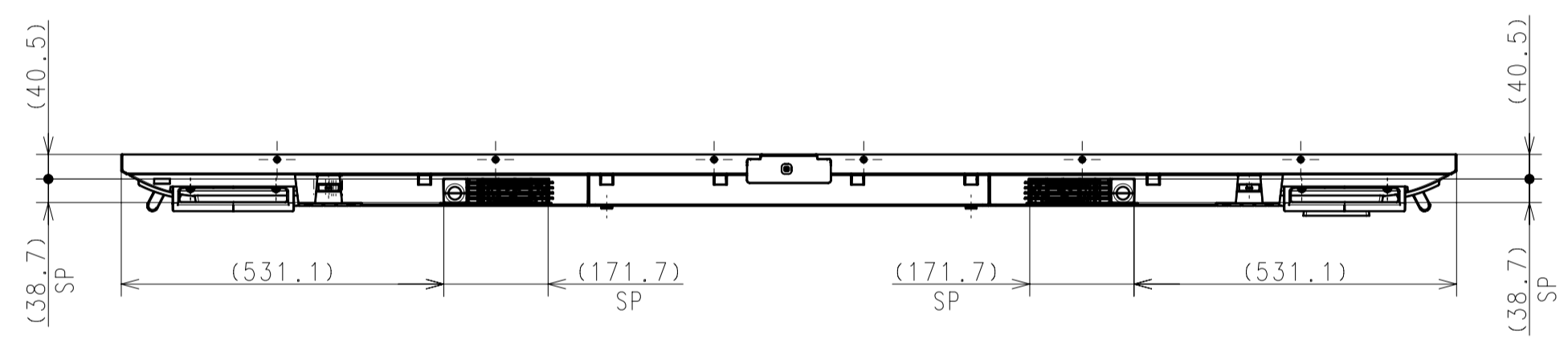
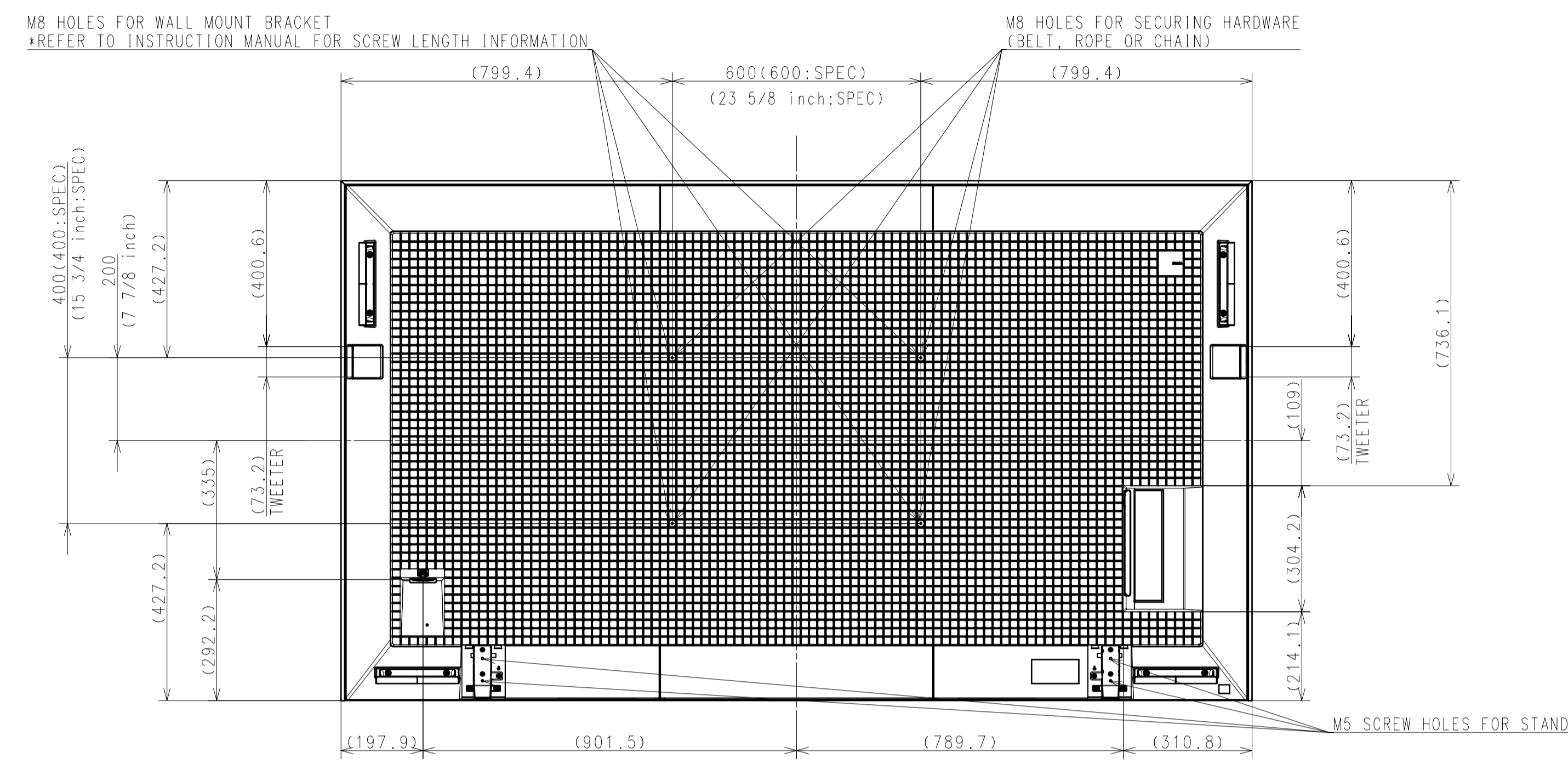
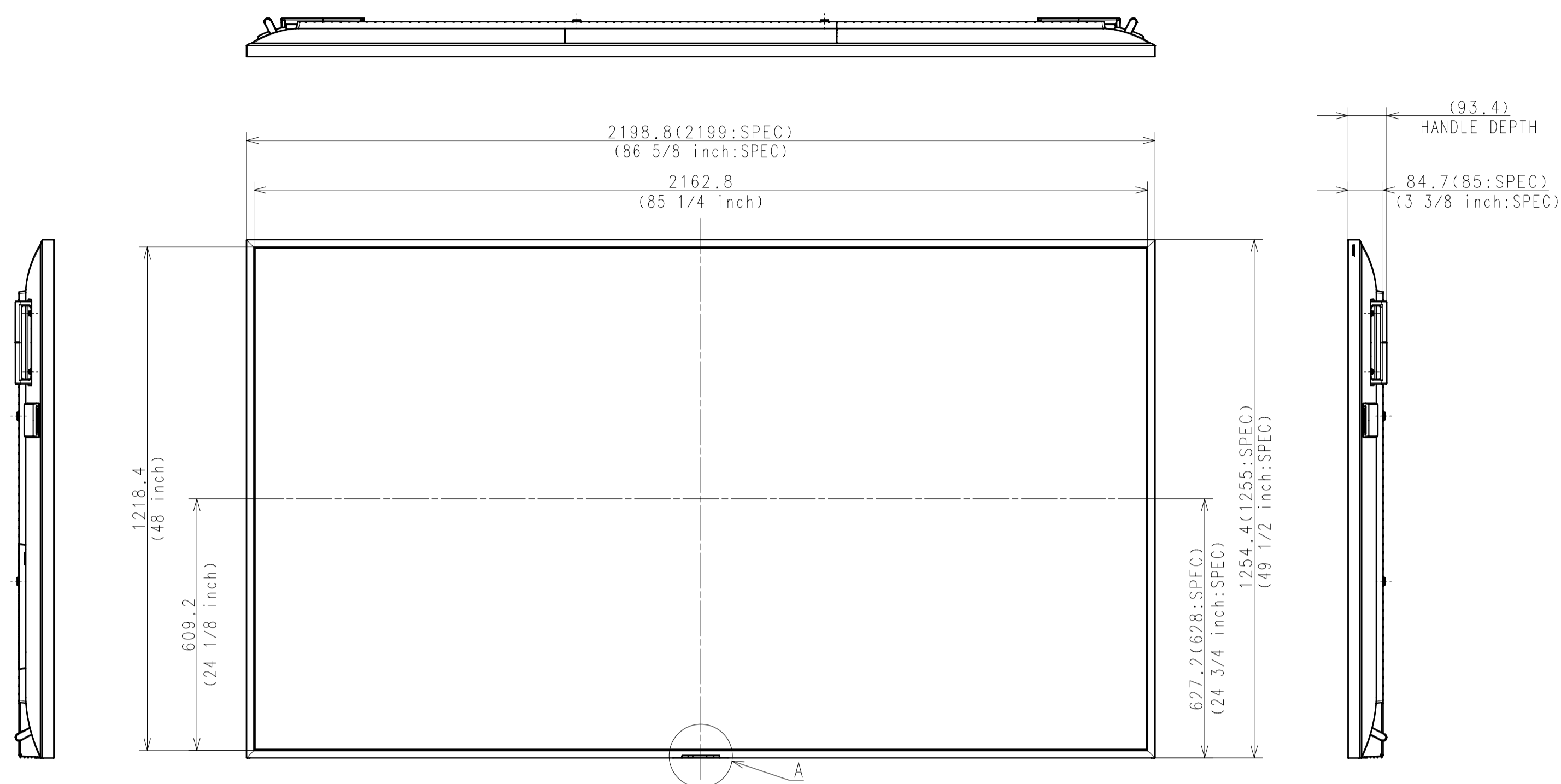
WITH STAND
(FOR EXPECT NORTH AMERICA & EUROPE)



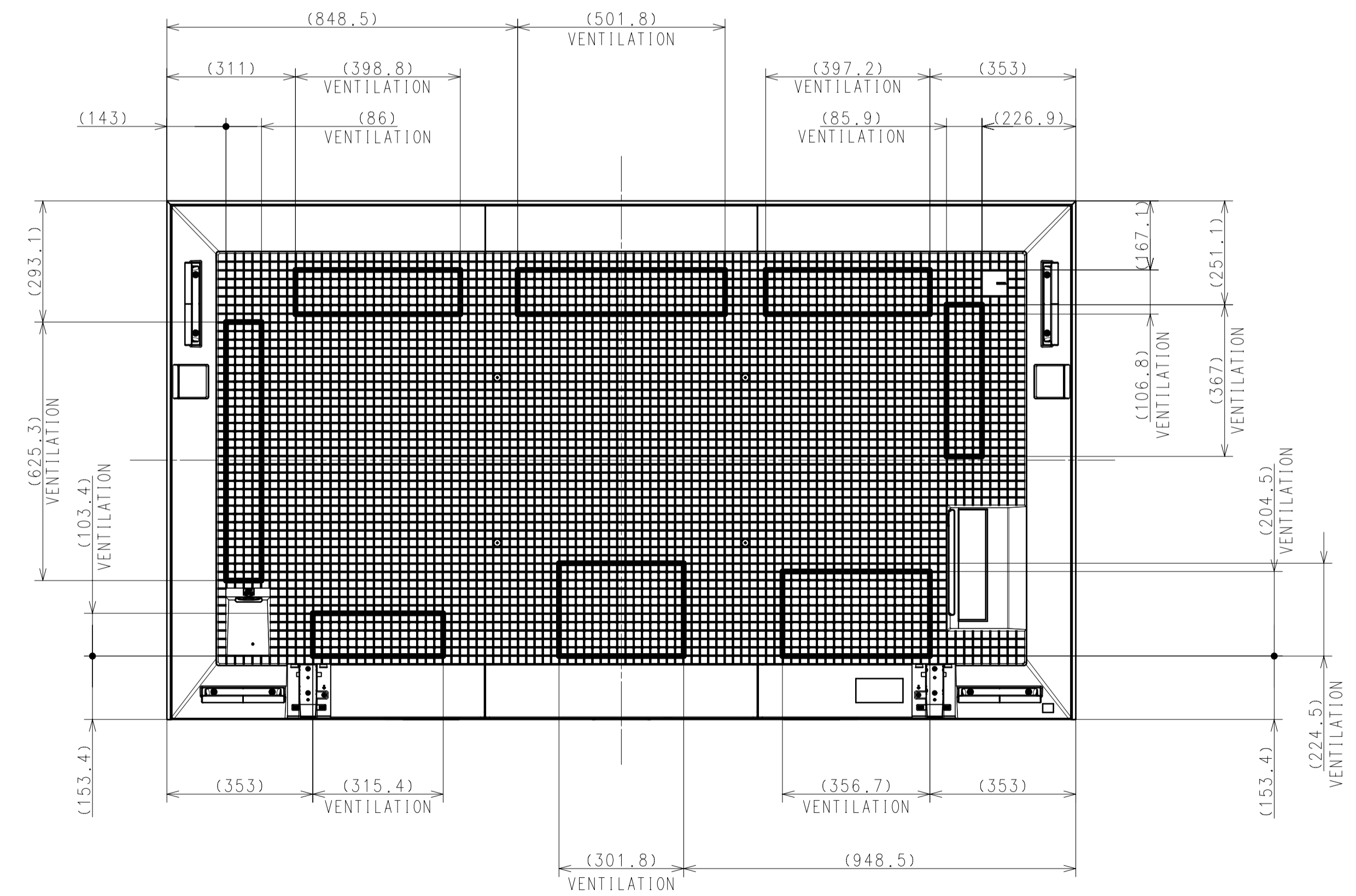
Purchase recycled resins and wire rods only from the business partners that Sony approves as Green Partners.
再生樹脂・銅線はグリーンパートナー 協賛品から調達すること。

△A	△B	△C	△D	△E	△F	△G	△H	△I	△J	△K	△L	△M	△N	△O	△P	△Q	△R	△S	△T	△U	△V	△W	△X	△Y	△Z								
HISTORY & COUNT												RELEASE NO. / DATE		REVISION		SIGN.		MATERIAL COLOR		FINISH COLOR		GENERAL TOLERANCE		DATE OF ISSUE		DOCUMENT TYPE		ASSEMBLY DRAWING		TOLERANCE (JIS & SPECIFIED PARTS)			
RESPONSIBLE DEPARTMENT												PLANNED BY		CHECKED BY		APPROVED BY		SCALE		TENTATIVE MODEL		ORIGINAL MODEL		DESCRIPTION		DATE OF ISSUE		DOCUMENT TYPE		ASSEMBLY DRAWING		TOLERANCE (JIS & SPECIFIED PARTS)	
SONY CORPORATION												2023.01.31		TSUKASAKI KATSUKI		2023.01.31		1:1		98 (BZ50L/BZ30L)		98 (BZ50L/BZ30L)		EXTERIOR VIEW		2023.01.31		ASSEMBLY DRAWING		TOLERANCE (JIS & SPECIFIED PARTS)		TOLERANCE (JIS & SPECIFIED PARTS)	
DRAWN BY												2023.01.31		TSUKASAKI KATSUKI		2023.01.31		A1		mm		98 (BZ50L/BZ30L)		EXTERIOR VIEW		2023.01.31		ASSEMBLY DRAWING		TOLERANCE (JIS & SPECIFIED PARTS)		TOLERANCE (JIS & SPECIFIED PARTS)	
LEGAL OWNER												2023.01.31		TSUKASAKI KATSUKI		2023.01.31		A1		mm		98 (BZ50L/BZ30L)		EXTERIOR VIEW		2023.01.31		ASSEMBLY DRAWING		TOLERANCE (JIS & SPECIFIED PARTS)		TOLERANCE (JIS & SPECIFIED PARTS)	

WITHOUT STAND



A
1:1



REAR VENTILATION AREA

DESCRIPTION 1	98 (BZ50L/BZ30L) EXTERIOR VIEW	LEGAL OWNER	Sony Corporation	SCALE	T:1
DESCRIPTION 2	98 (BZ50L/BZ30L) EXTERIOR VIEW	PART NO.		SHEET/PAGES	2 / 2