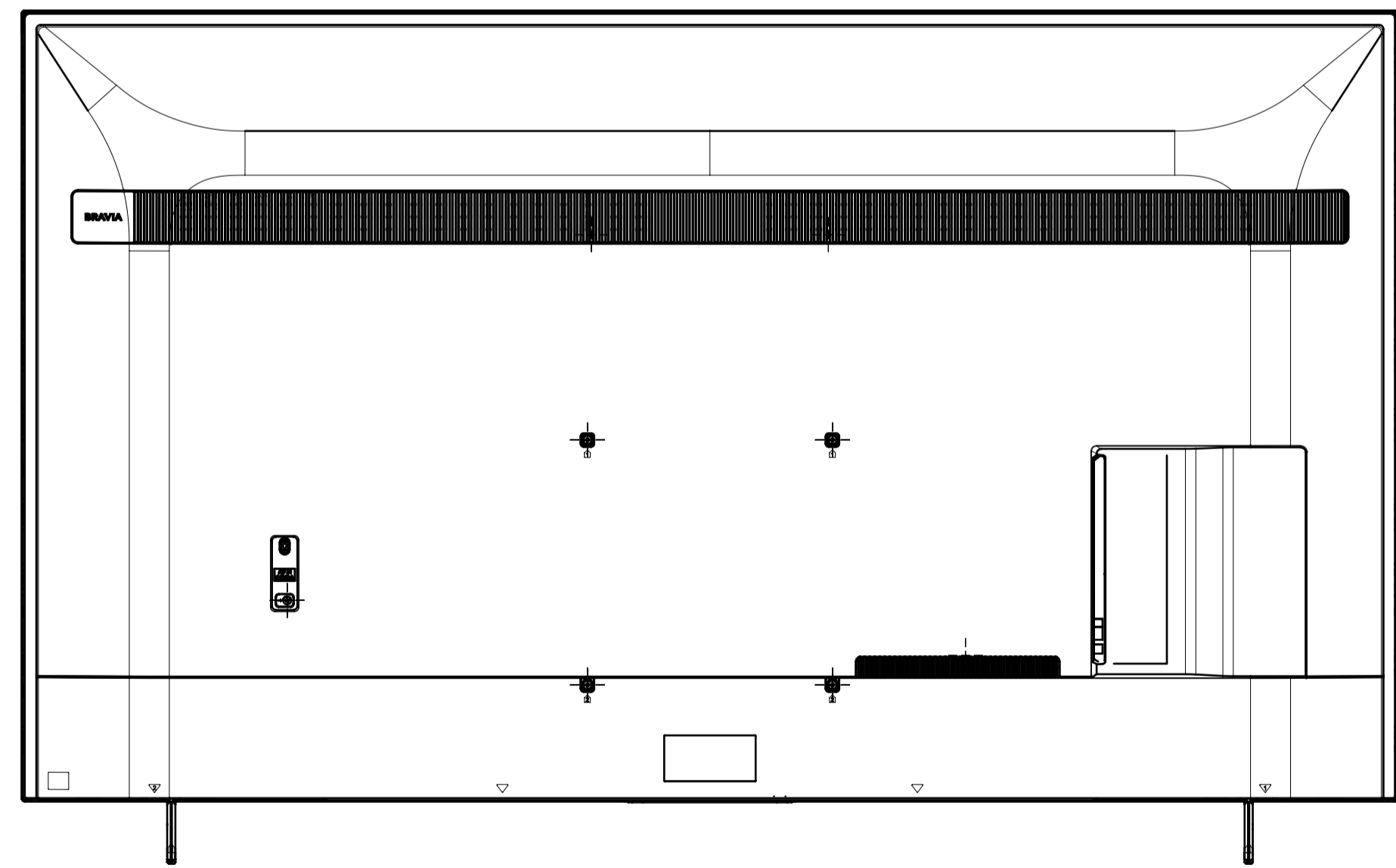
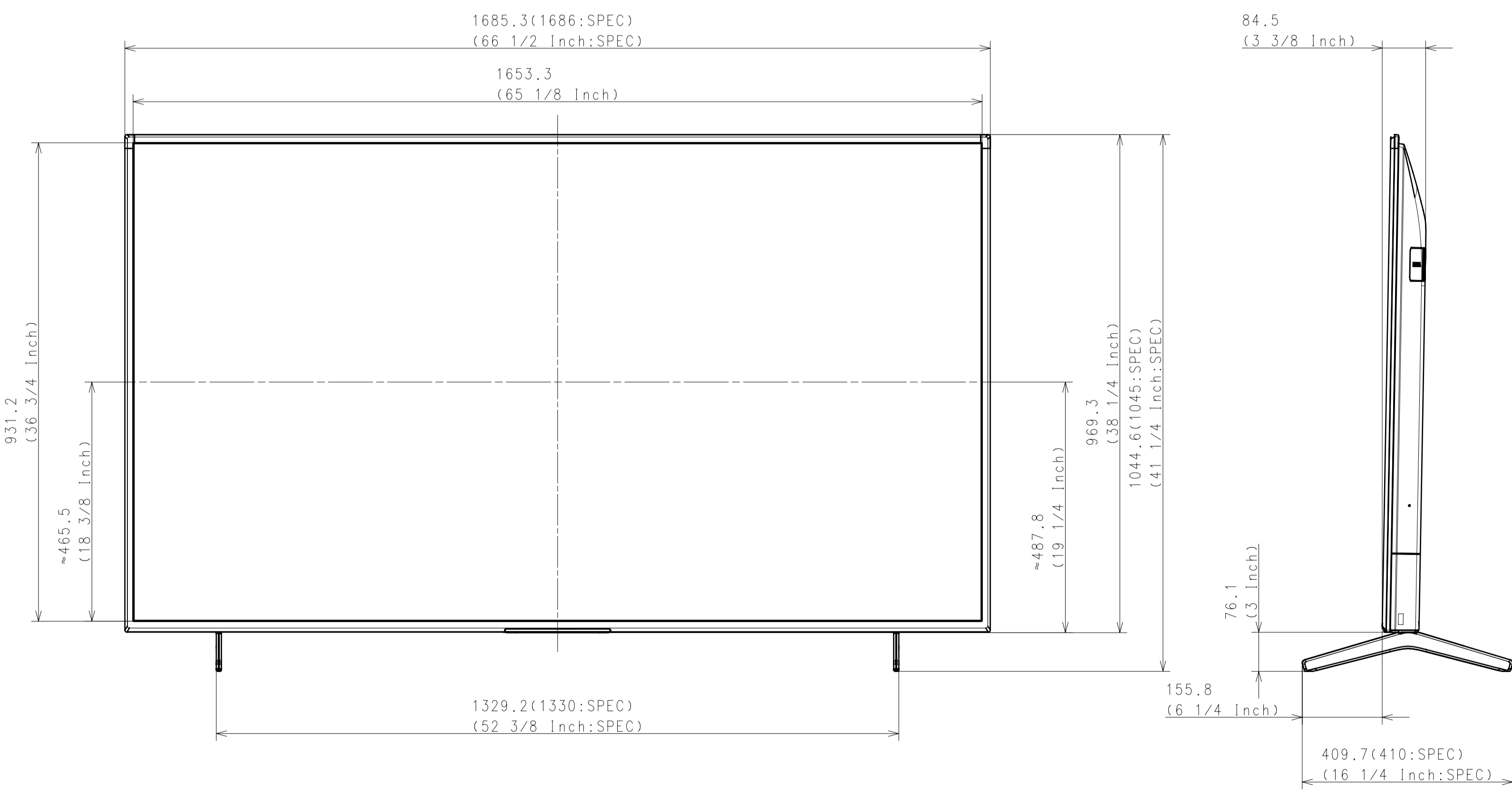
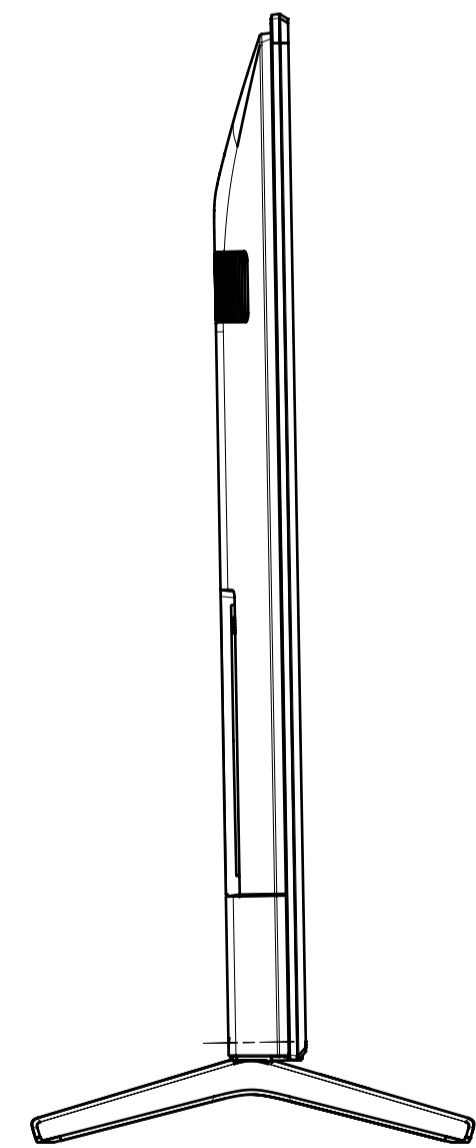
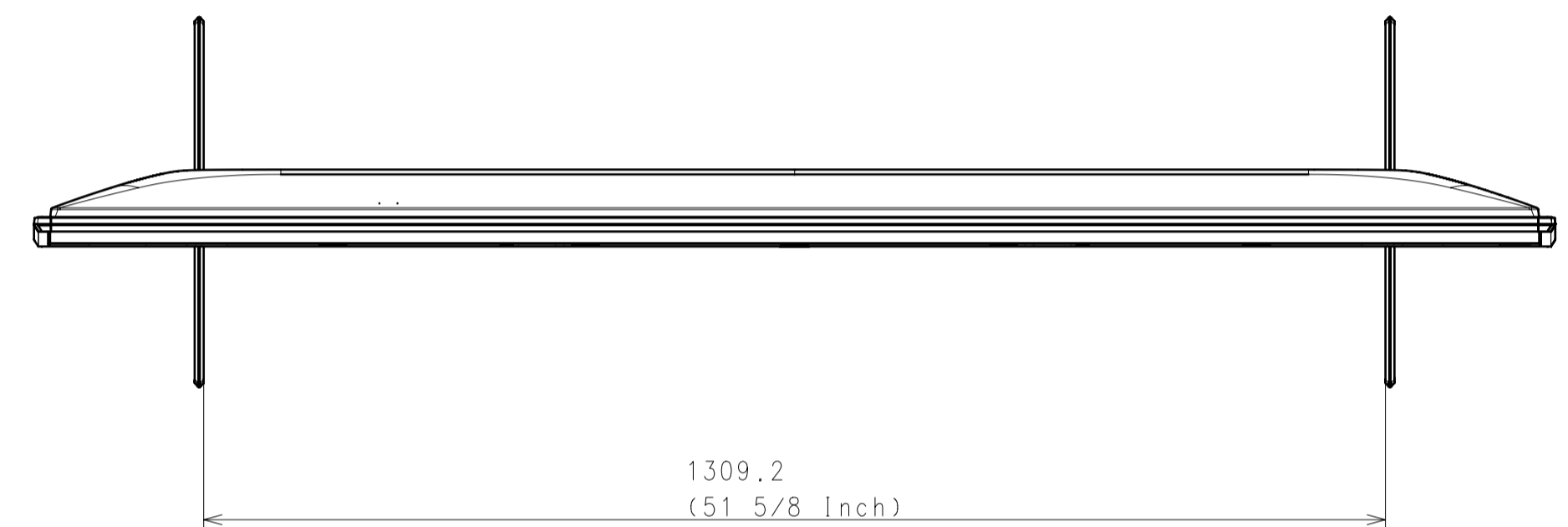


Area		NORTH AMERICA	EUROPE	GENERAL AREA	CHINA
Model Name		FW-75BZ35L	FW-75BZ35L	FW-75BZ35L	FW-75BZ35L
SV No.		SV-41408	SV-41542	SV-41737	SV-41516
DIMENSION	TV only (W x H x D)	1686 x 969 x 72 mm / 66 1/2 x 38 1/4 x 2 7/8 inch	Approx. 168.6 x 96.9 x 7.2 cm	Approx. 1686 x 969 x 72 mm	Approx. 1686 x 969 x 72 mm
	TV only with camera (W x H x D)	-	-	-	-
	TV with Stand (Standard position) (W x H x D)	1686 x 1045 x 410 mm / 66 1/2 x 41 1/4 x 16 1/4 inch	Approx. 168.6 x 104.5 x 41.0 cm	Approx. 1686 x 1045 x 410 mm	Approx. 1686 x 1045 x 410 mm
	TV with Stand (Narrow position) (W x H x D)	-	-	-	-
	TV with Stand (Soundbar position) (W x H x D)	-	-	-	-
	TV with Stand (Front position style) (W x H x D)	-	-	-	-
	TV with Stand (Back position style) (W x H x D)	-	-	-	-
	TV with Floor Stand (W x H x D)	-	-	-	-
	Stand Width (Standard position)	1330 mm / 52 3/8 inch	Approx. 133.0 cm	Approx. 1330 mm	Approx. 1330 mm
	Stand Width (Narrow position)	-	-	-	-
Weight	Stand Width (Soundbar position)	-	-	-	-
	Stand Width (Front position style)	-	-	-	-
	Stand Width (Back position style)	-	-	-	-
	Floor Stand Width	-	-	-	-
	VESA Hole Pitch	300 x 300 mm / 11 7/8 x 11 7/8 inch	30.0 x 30.0 cm	300 x 300 mm	300 x 300 mm
	TV Only	31.5 kg / 69.4 lb	Approx. 31.5 kg	Approx. 31.5 kg	Approx. 31.5 kg
	TV with Stand (Standard position)	32.7 kg / 72.1 lb	Approx. 32.7 kg	Approx. 32.7 kg	Approx. 32.7 kg
	TV with Stand (Narrow position)	-	-	-	-
	TV with Stand (Soundbar position)	-	-	-	-
	TV with Stand (Front/Back position style)	-	-	-	-
Remarks	TV with Floor Stand	-	-	-	-
	Floor Stand weight (Supply)	-	-	-	-
	W-M't Br. Weight (Supply)	-	-	-	-
Remarks		Optional stand	Optional stand		

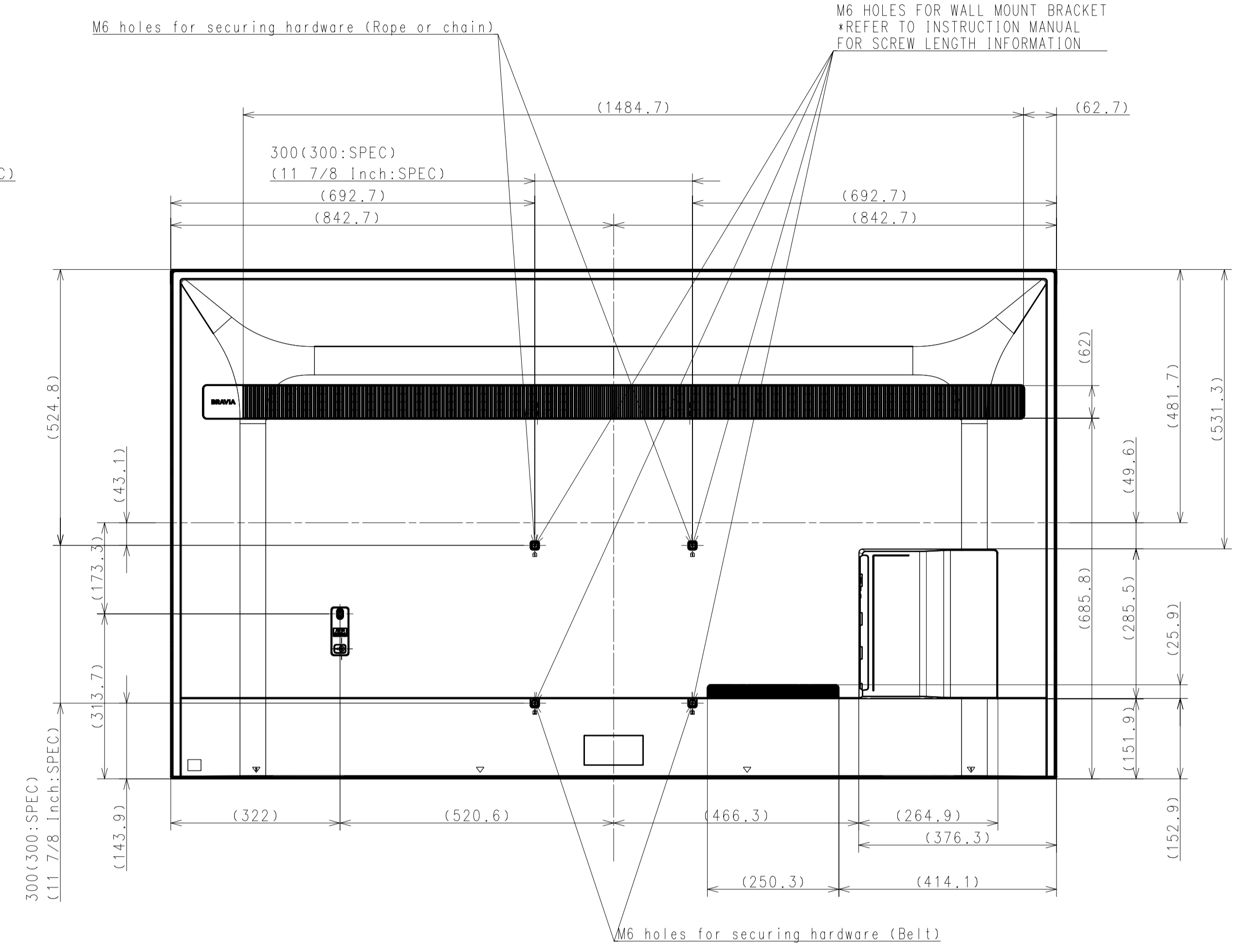
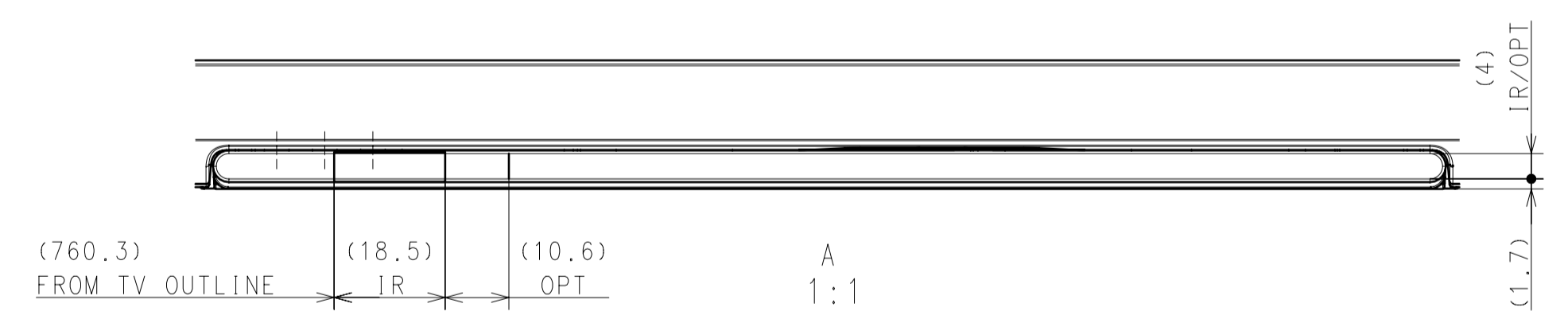
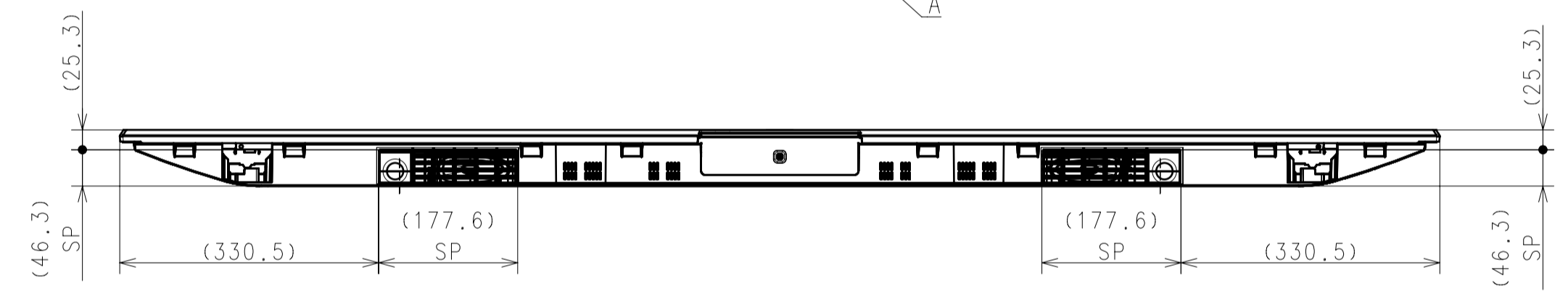
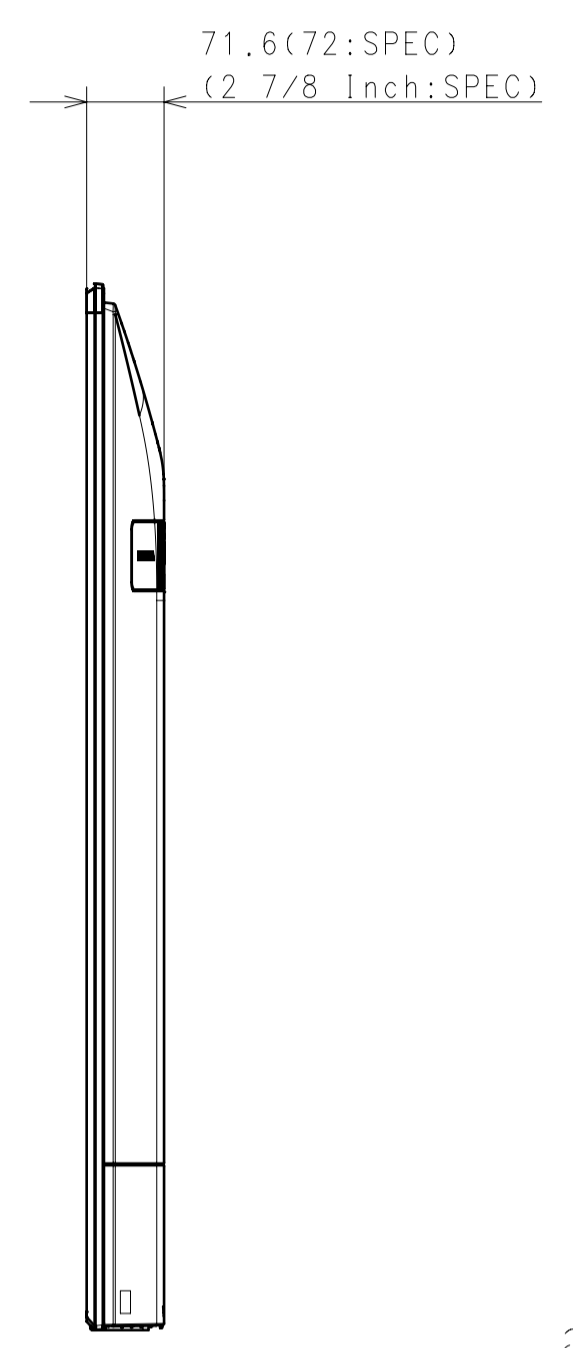
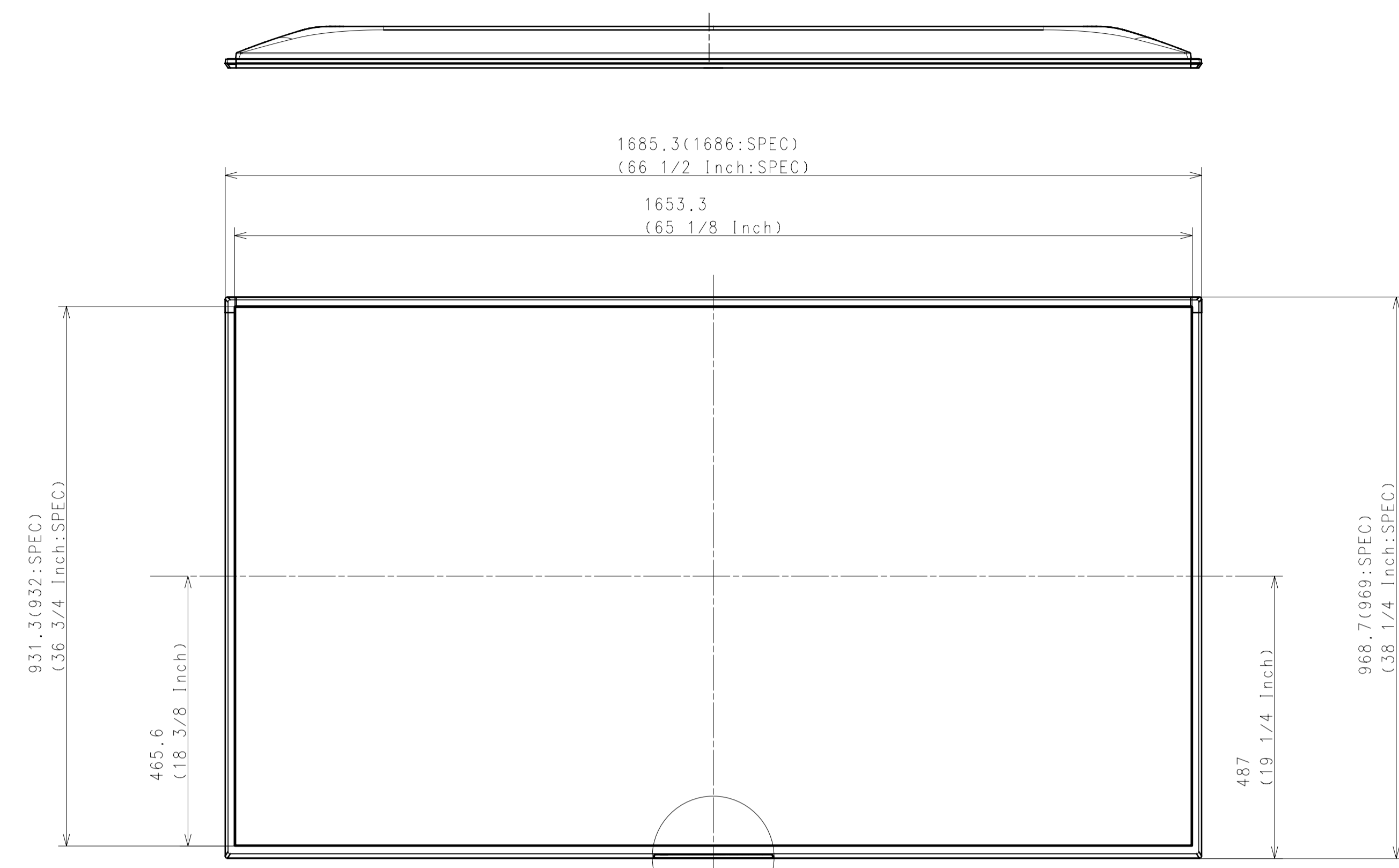
WITH STAND



Purchase recycled resins and wire rods only from the business partners that Sony approves as Green Partners.
再生樹脂・銅線はグリーンパートナーから調達すること。

DATE OF ISSUE 2023.01.11	DOCUMENT TYPE ASSEMBLY DRAWING	TOLERANCE (JIS 0 00150 0015)	MATERIAL COLOR	FINISH COLOR
HISTORY & COUNT	SUFFIX (REV. NO., REV.)	RELEASE NO. DATE	REVISION	SIGN.
LEGAL OWNER Sony Corporation				
RESPONSIBLE DEPARTMENT	ORIGINAL MODEL	DESCRIPTIONS 75(BZ35L) EXTERIOR VIEW		
PLANNED BY	CHECKED BY	APPROVED BY	SCALE 1:7	TENTATIVE MODEL
DRAWN BY	SIZE A1	UNIT mm	PAGE NO.	SUFFIX (REV. NO.)
			1/4	SHEET/PAGES

WITHOUT STAND

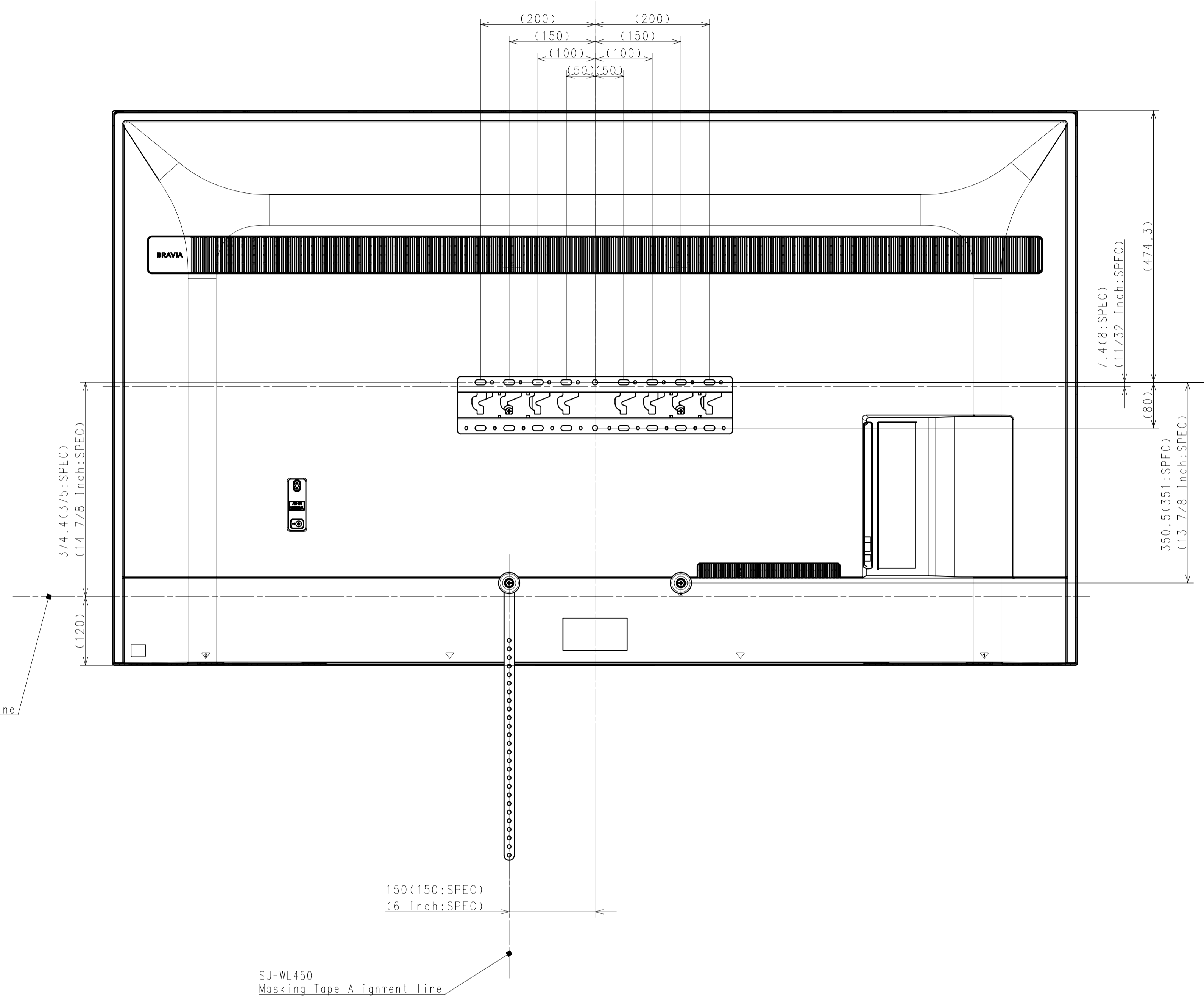


DESCRIPTION: 75(X80J) EXTERIOR VIEW	SCALE: 1:7
DESCRIPTION: 75(X80J) EXTERIOR VIEW	SHEET/PAGES: 2 / 4
EQUIV. OWNER: Sony Corporation	
TENTATIVE PART NO.	PART NO.

SU-WL450

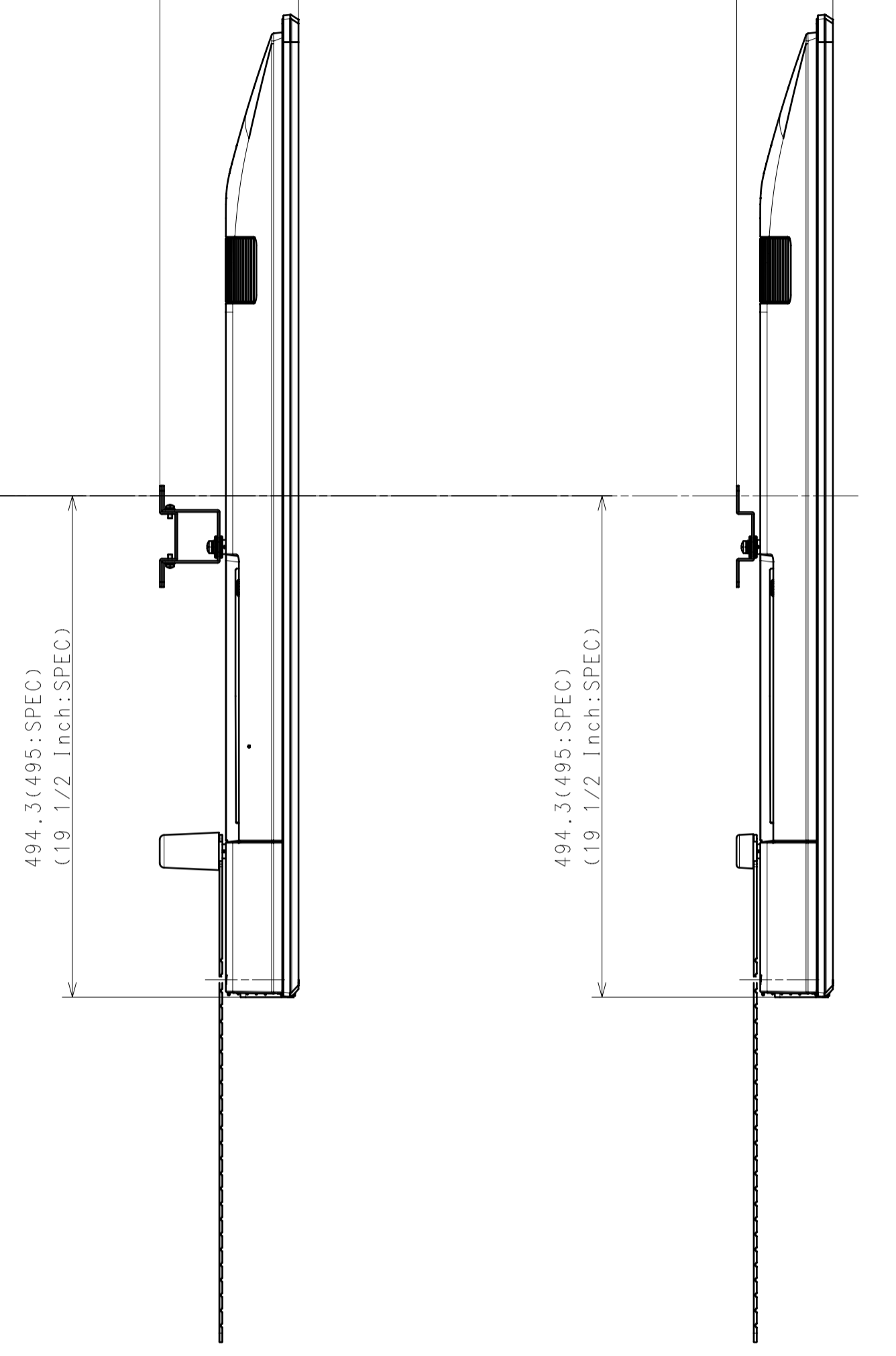
STANDARD

SLIM



136.6 (137:SPEC)
(5 1/2 Inch:SPEC)

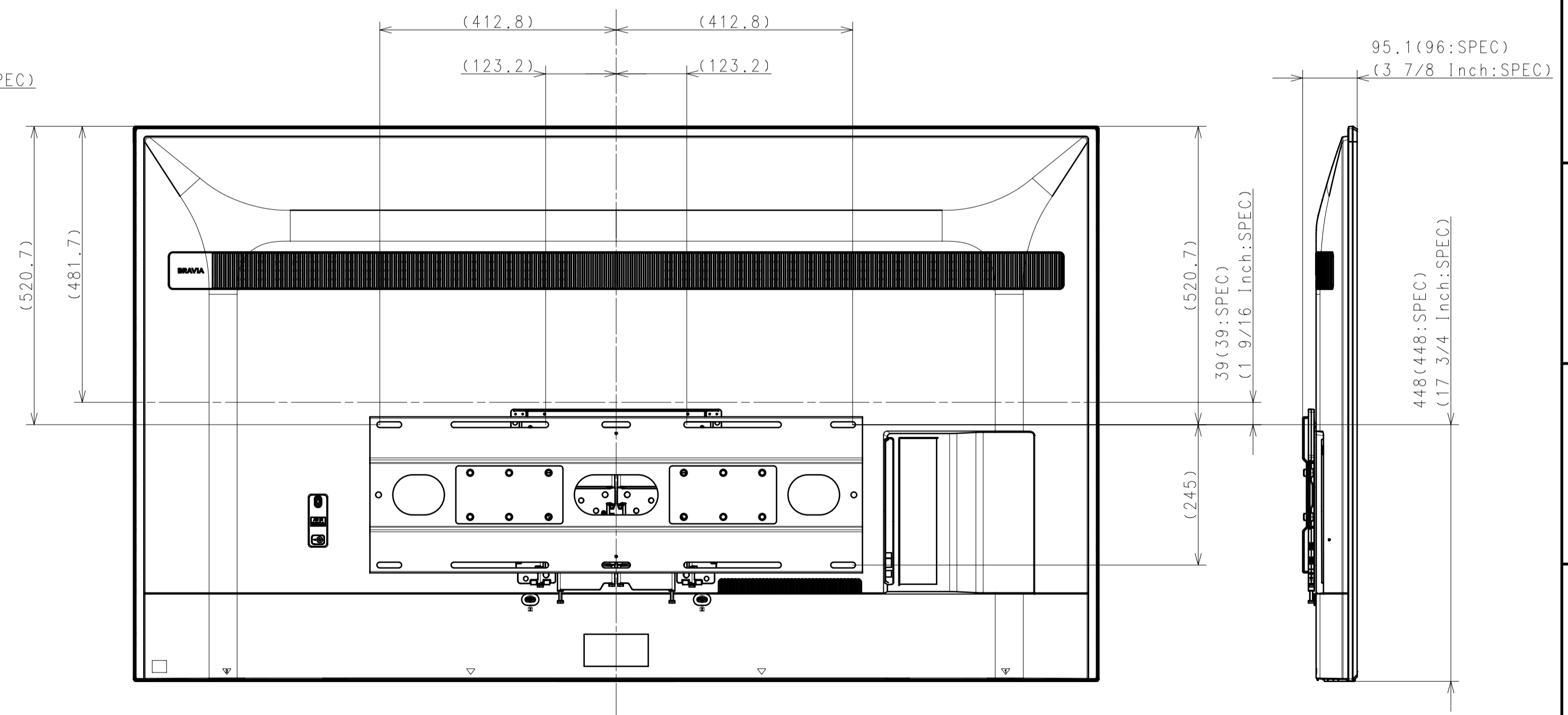
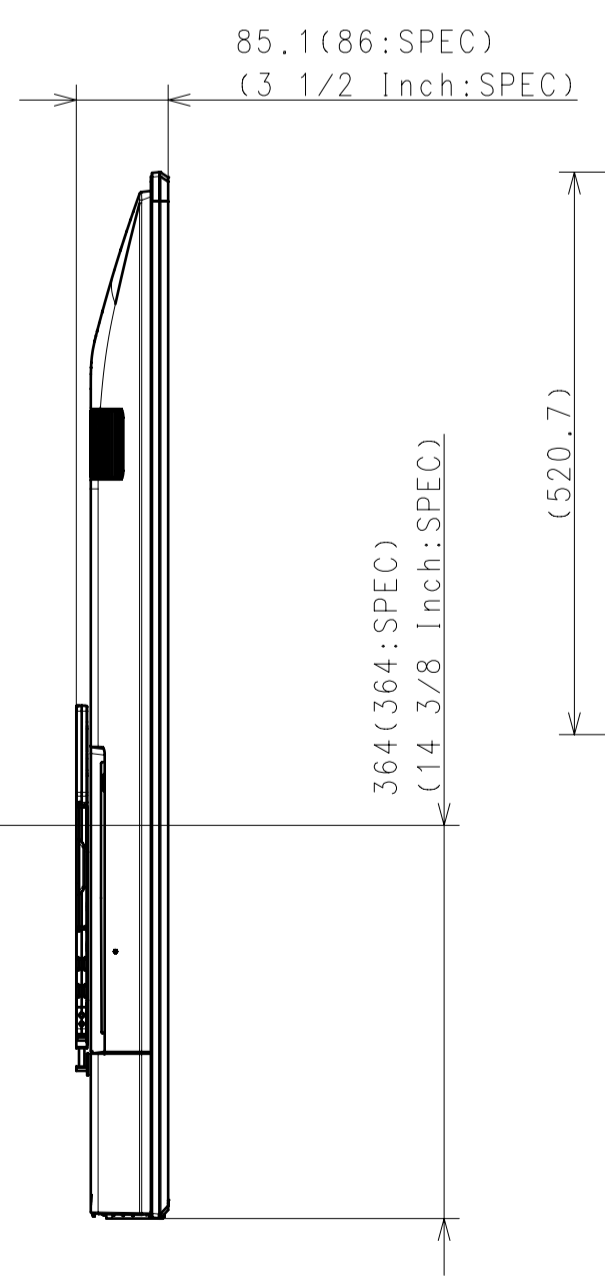
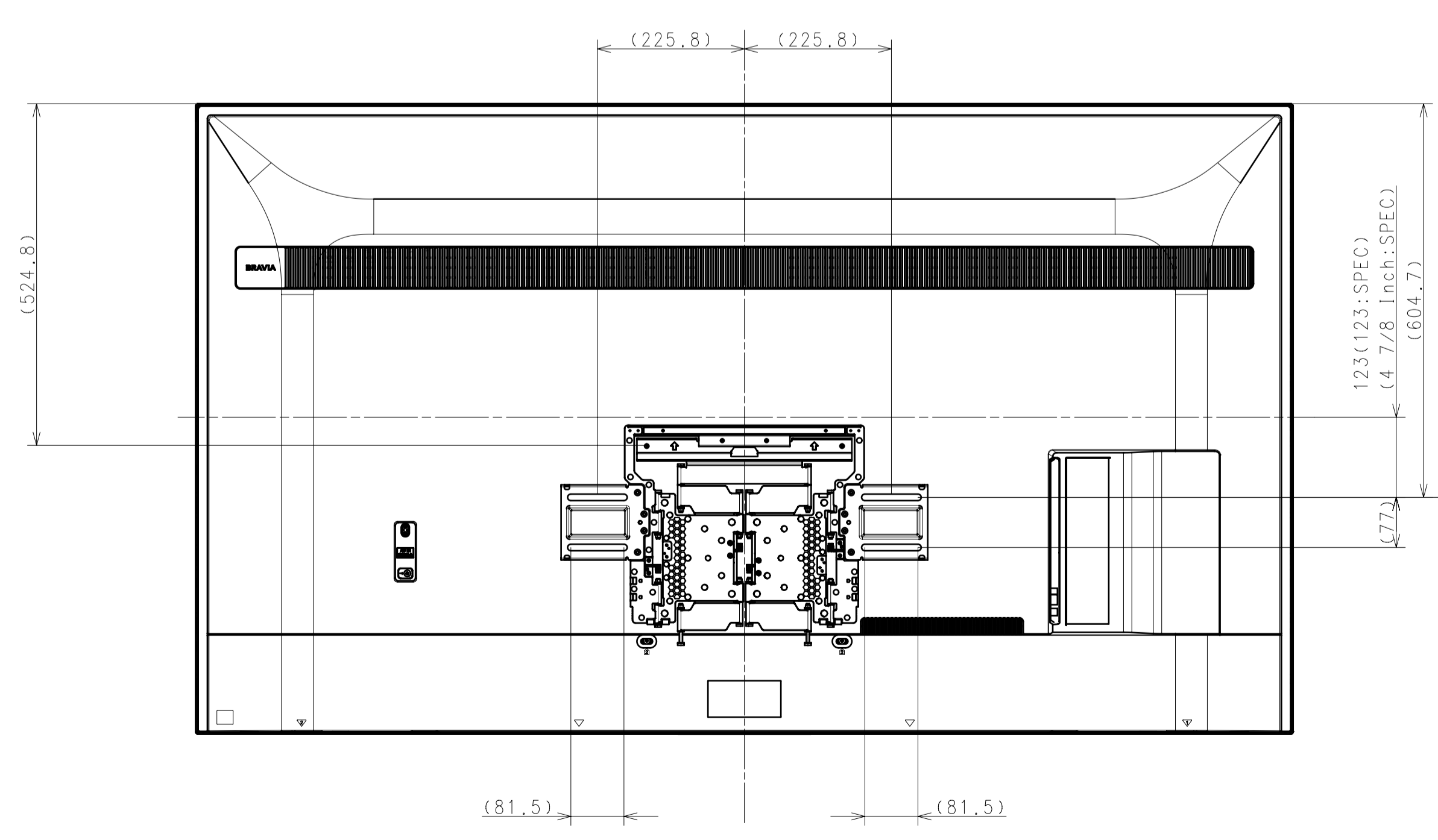
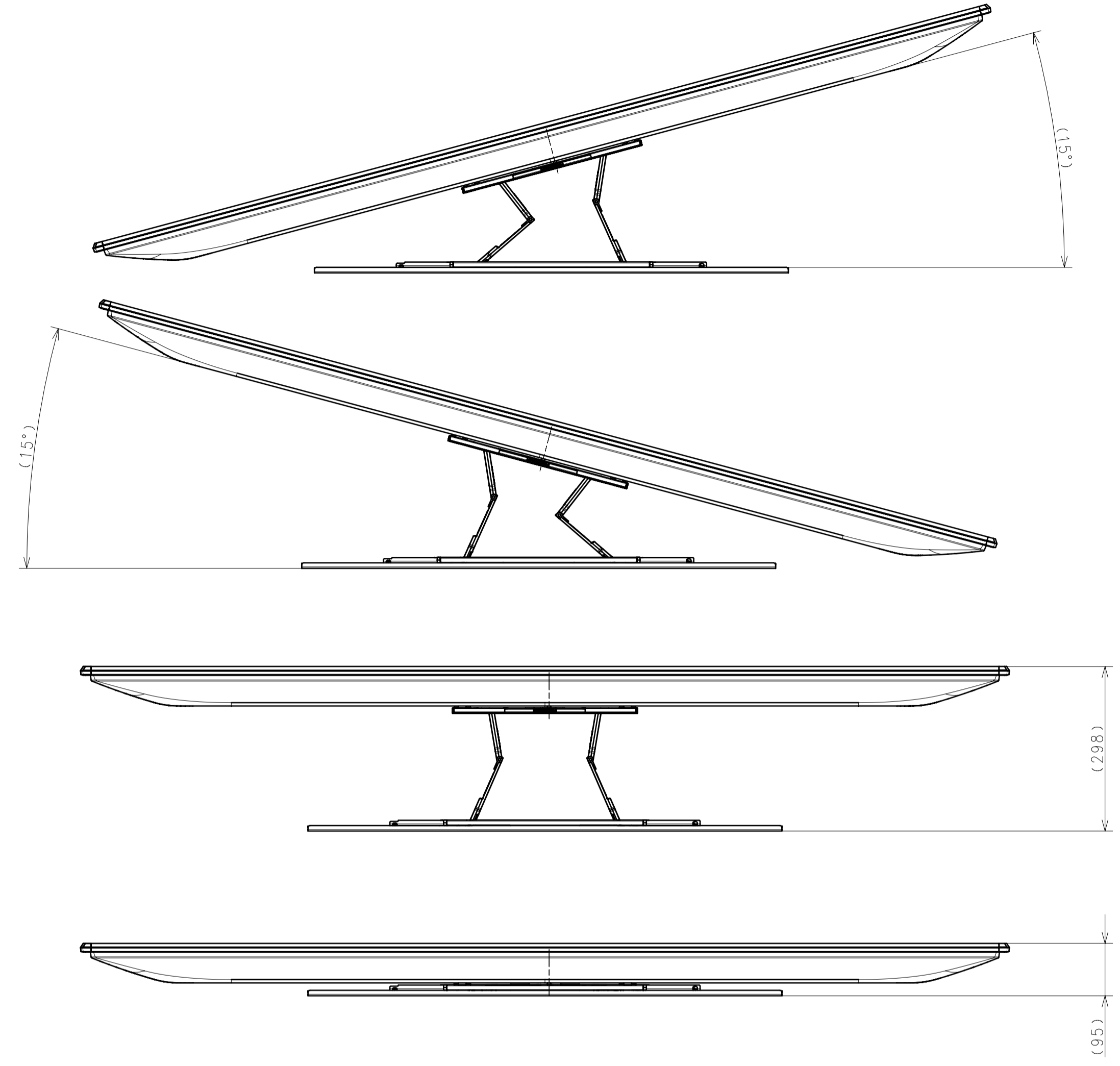
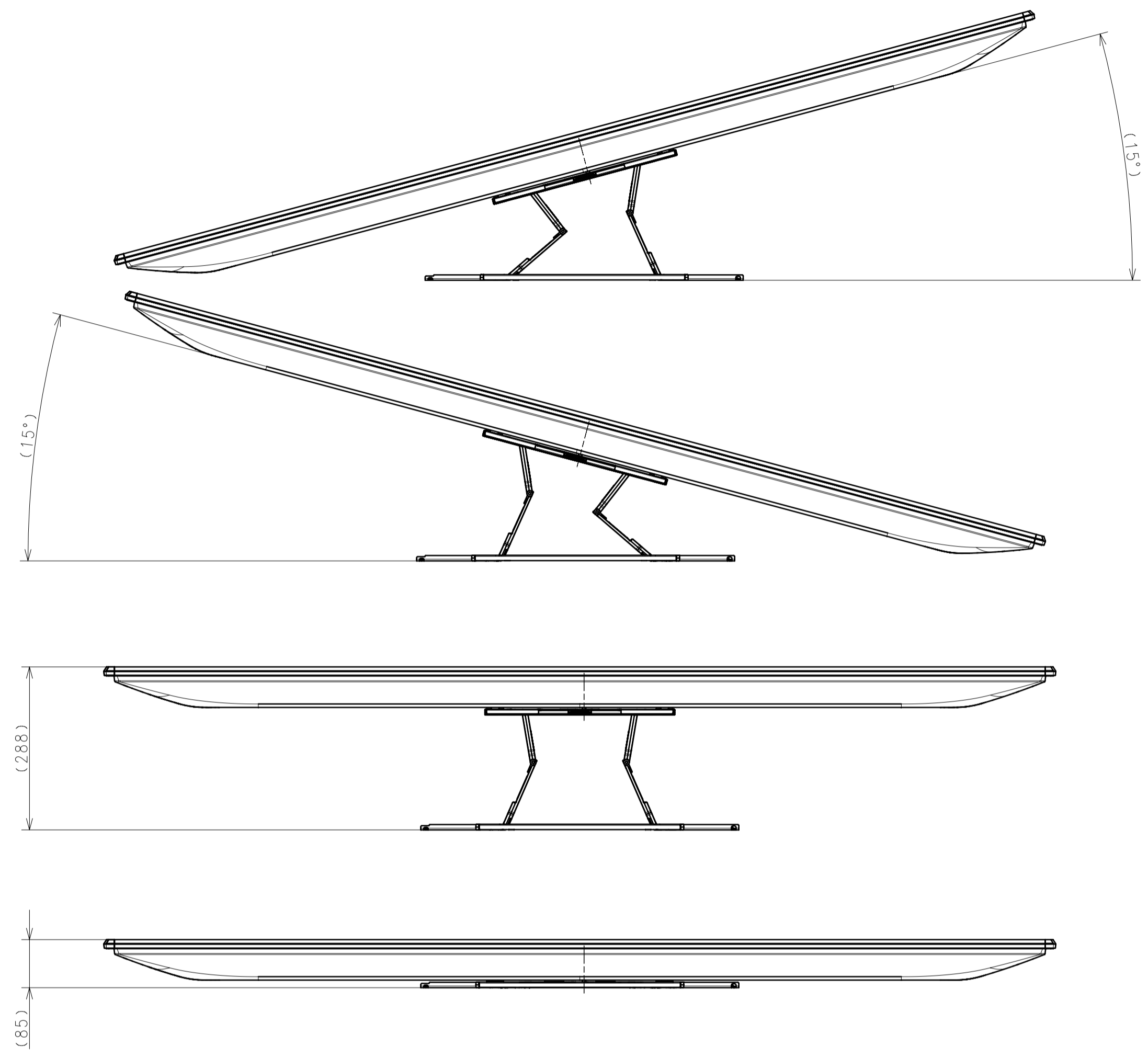
94.8 (95:SPEC)
(3 3/4 Inch:SPEC)



DESCRIPTION 1	75(X80J) EXTERIOR VIEW	LEGAL OWNER	Sony Corporation	SCALE	1:5
DESCRIPTION 2	75(X80J) EXTERIOR VIEW	PART NO.		SHEET/PAGES	3 / 4

SU-WL 850

SU-WL 855 WITH LATERAL SHAFT BRACKET



DESCRIPTION 1	LEGAL OWNER	SCALE
75(X80J) EXTERIOR VIEW	Sony Corporation	1:7
DESCRIPTION 2	PART NO.	SHEET/PAGES
75(X80J) EXTERIOR VIEW		4 / 4