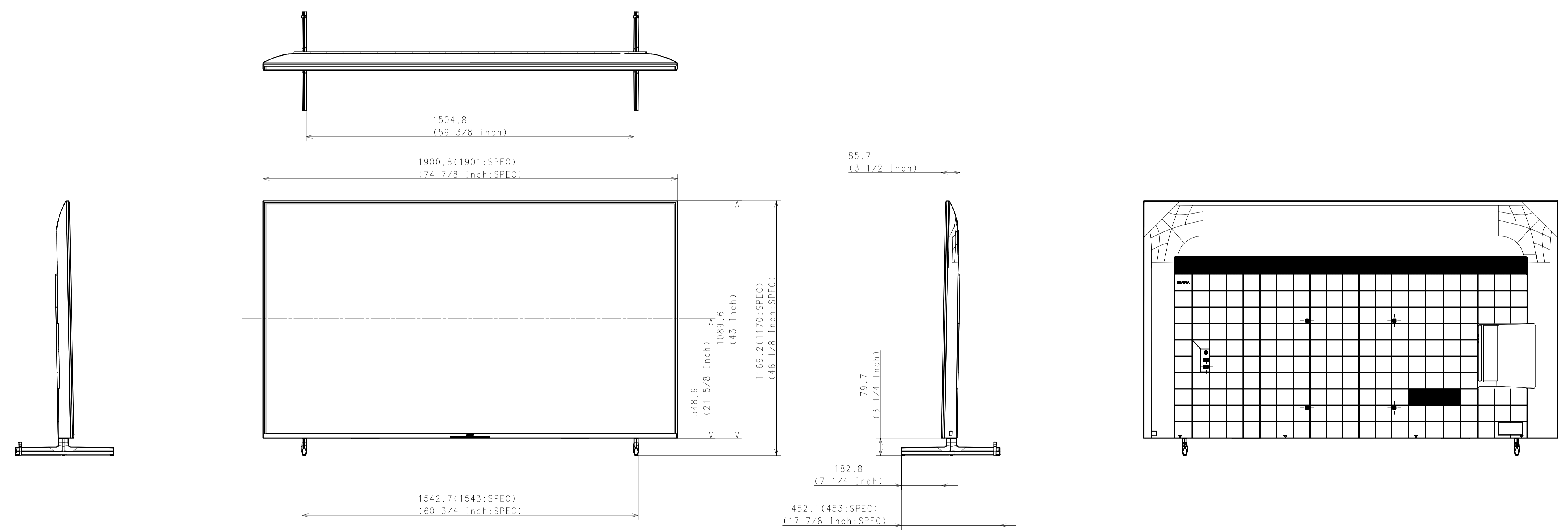


Area	JAPAN	EUROPE	GENERAL AREA	
Model Name	KJ-85X80L	KD-85X80L	KD-85X80L	
SV No.	SV-41302	SV-41258	SV-41109	
DIMENSION	TV only (W x H x D)	190.1 x 109.0 x 7.3 cm	Approx. 190.1 x 109.0 x 7.3 cm	Approx. 190.1 x 109.0 x 7.3 mm
	TV only with camera (W x H x D)	-	-	-
	TV with Stand (Standard position) (W x H x D)	190.1 x 117.0 x 45.3 cm	Approx. 190.1 x 117.0 x 45.3 cm	Approx. 190.1 x 117.0 x 45.3 mm
	TV with Stand (Narrow position) (W x H x D)	-	Approx. 190.1 x 117.0 x 45.3 cm	-
	TV with Stand (Soundbar position) (W x H x D)	-	-	-
	TV with Stand (Front position style) (W x H x D)	-	-	-
	TV with Stand (Back position style) (W x H x D)	-	-	-
	TV with Floor Stand (W x H x D)	-	-	-
	Stand Width (Standard position)	154.3 cm	Approx. 154.3 cm	Approx. 154.3 mm
	Stand Width (Narrow position)	-	Approx. 66.4 cm	-
	Stand Width (Soundbar position)	-	-	-
	Stand Width (Front position style)	-	-	-
	Stand Width (Back position style)	-	-	-
	Floor Stand Width	-	-	-
VESA Hole Pitch	40.0 x 40.0 cm	40.0 x 40.0 cm	400 x 400 mm	
WEIGHT	TV Only	45.8 kg	Approx. 45.8 kg	Approx. 45.8 kg
	TV with Stand (Standard position)	47.8 kg	Approx. 47.8 kg	Approx. 47.8 kg
	TV with Stand (Narrow position)	-	Approx. 47.8 kg	-
	TV with Stand (Soundbar position)	-	-	-
	TV with Stand (Front/Back position style)	-	-	-
	TV with Floor Stand	-	-	-
	Floor Stand weight (Supply)	-	-	-
W-M't Br. Weight (Supply)	-	-	-	
Remarks		2way		

WITH STAND

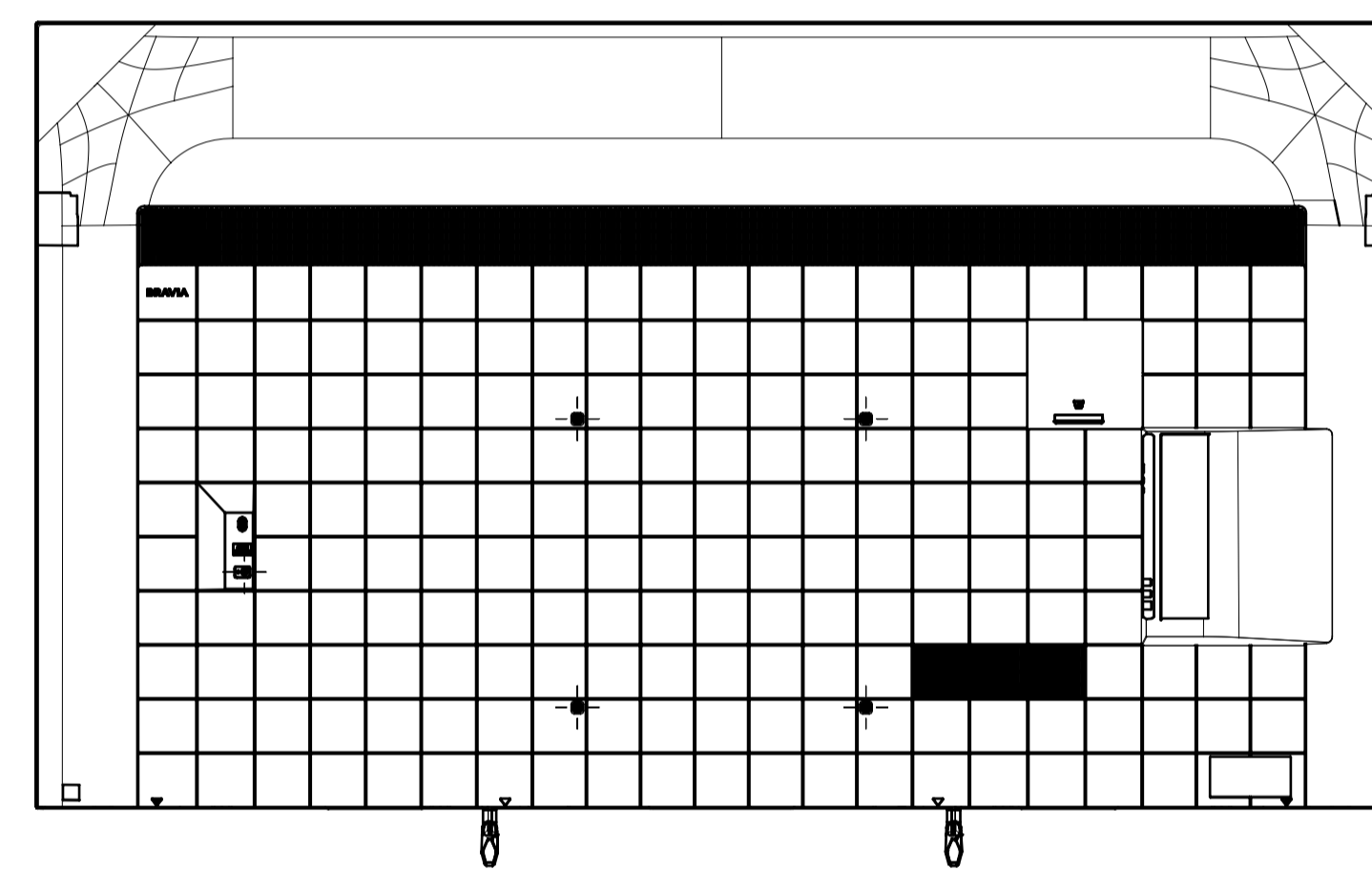
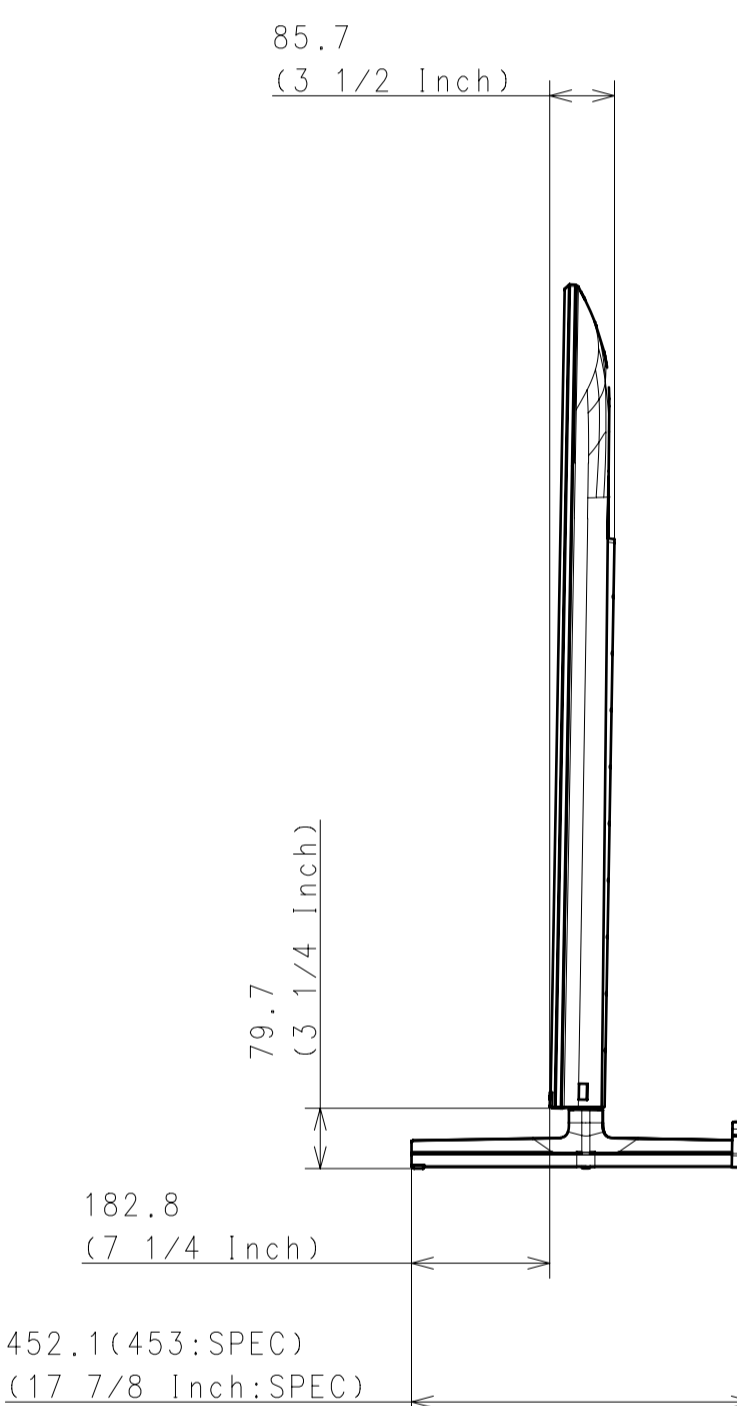
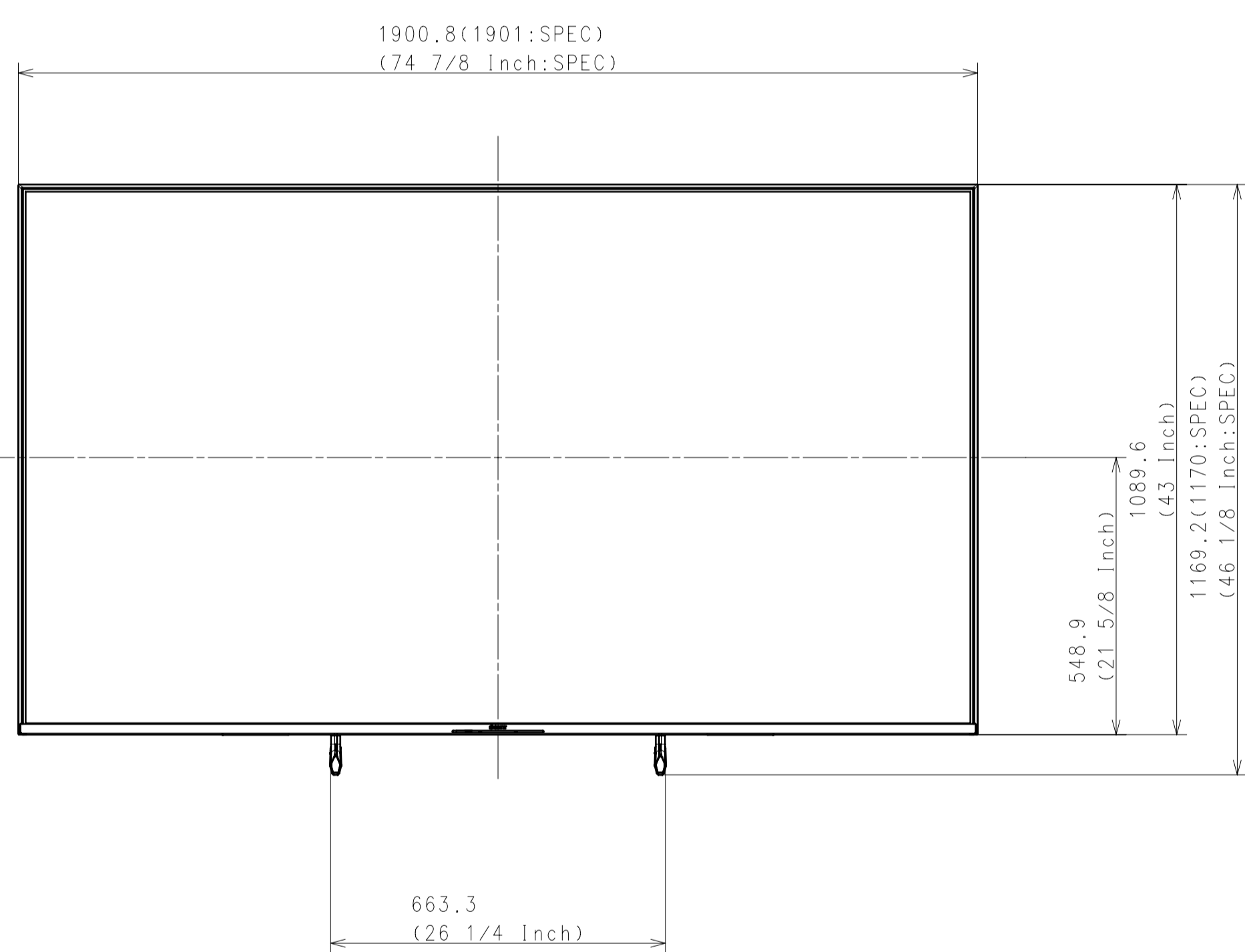
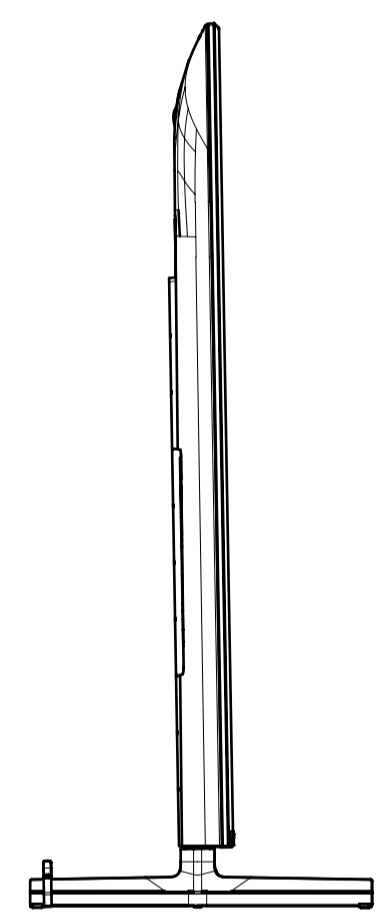
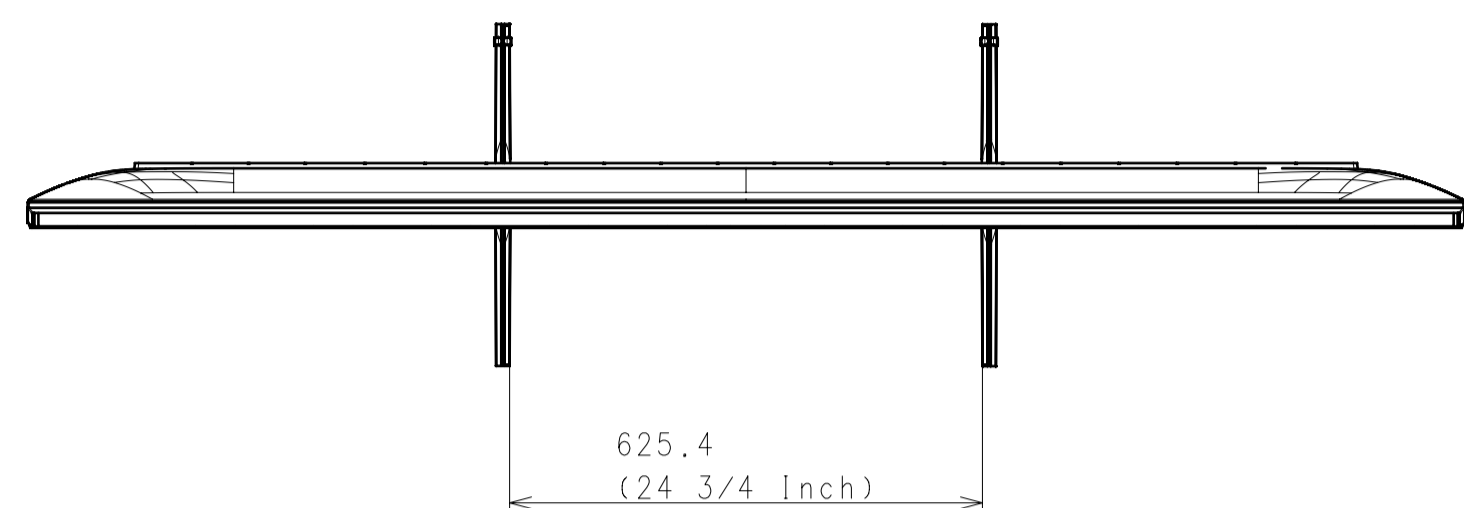
MAIN STAND (STANDARD POSITION)  
KJ-85X80L (JAPAN) AND  
KD-85X80L (EUROPE, GENERAL AREA)



HISTORY & COUNT	SUFFIX	RELEASE NO.	DATE	REVISION	SIGN.	MATERIAL COLOR	FINISH COLOR	GENERAL TOLERANCE	DATE OF ISSUE
									2021.12.03
									DOCUMENT TYPE
									ASSEMBLY
									TOLERANCE DRAWING
									(JIS & JIS X 0015:2015)
RESPONSIBLE DEPARTMENT: <b>85 (X80L) EXTERIOR DESIGN</b> PLANNED BY: <b>MOHAMMAD - OSS VECH</b> DRAWN BY: <b>MOHAMMAD - OSS VECH</b>						ORIGINAL MODEL: <b>85 (X80L) EXTERIOR VIEW</b> TENTATIVE MODEL: <b>85 (X80L) EXTERIOR VIEW</b>		SHEET/PAGES: <b>1 / 4</b>	

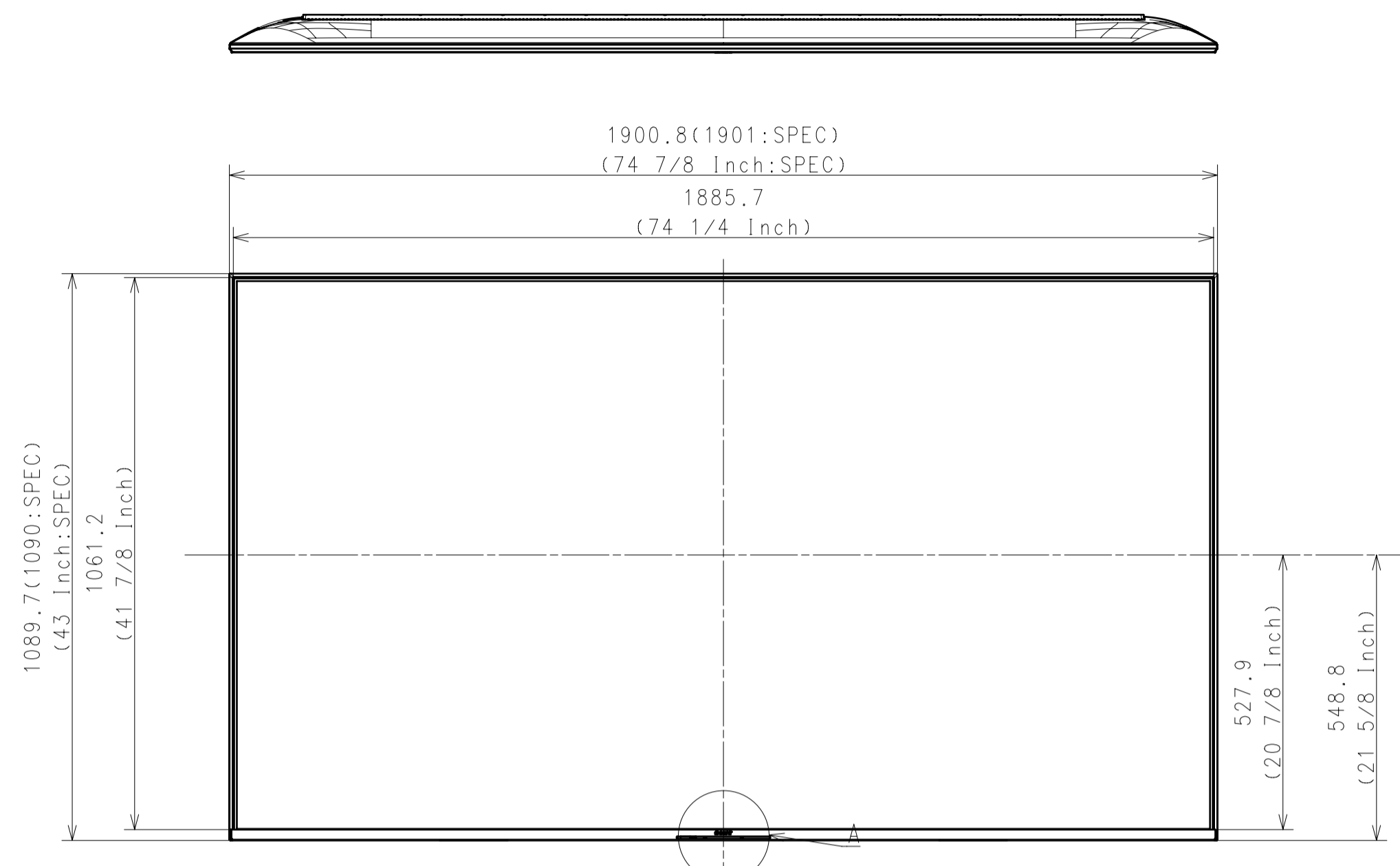
WITH STAND

NARROW POSITION  
KD-85X80L (EUROPE ONLY)

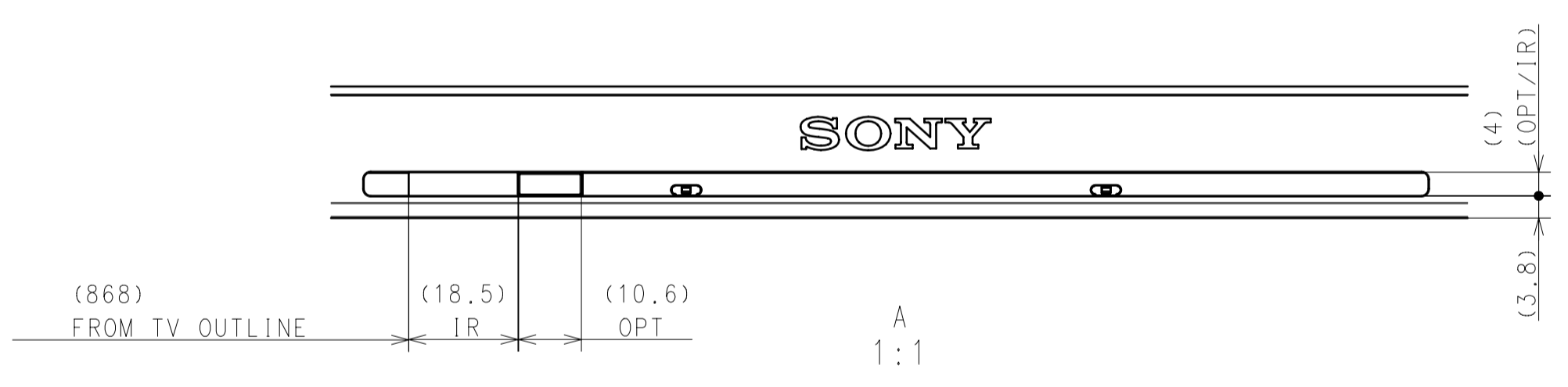
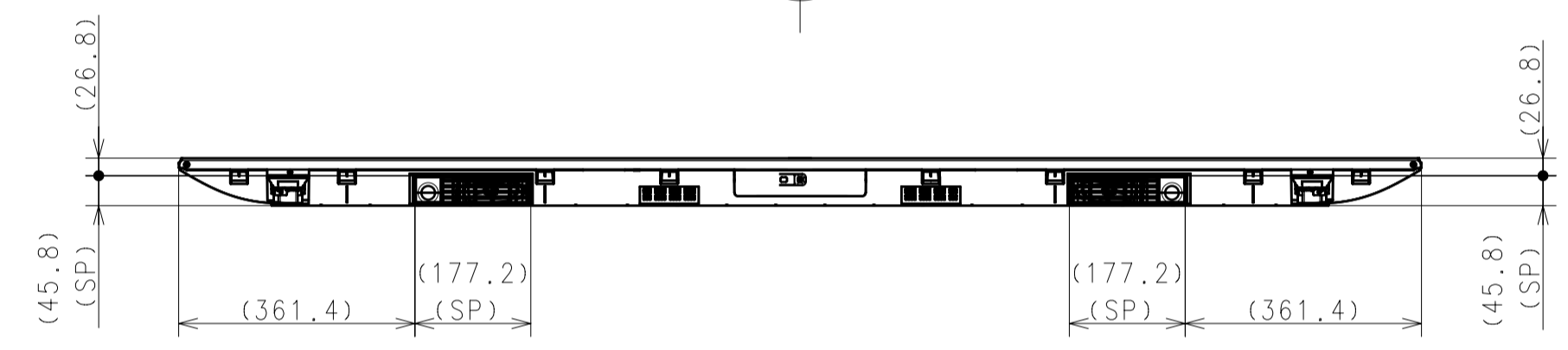
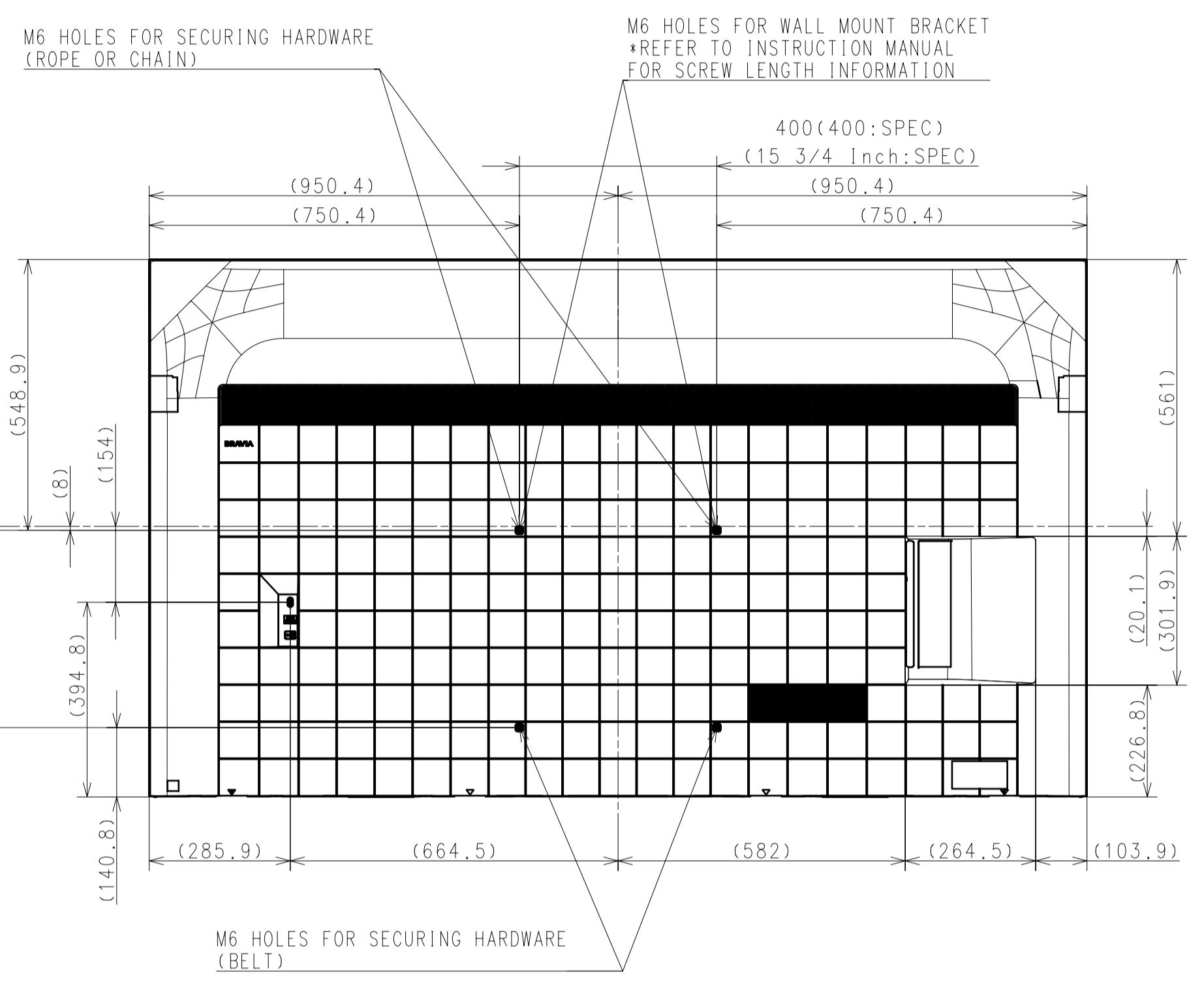


DESCRIPTION	LEGAL OWNER	SCALE
85 (X80L) EXTERIOR VIEW	Sony Corporation	1:10
DESCRIPTION	PART NO.	SHEET/PAGES
85 (X80L) EXTERIOR VIEW		2 / 4

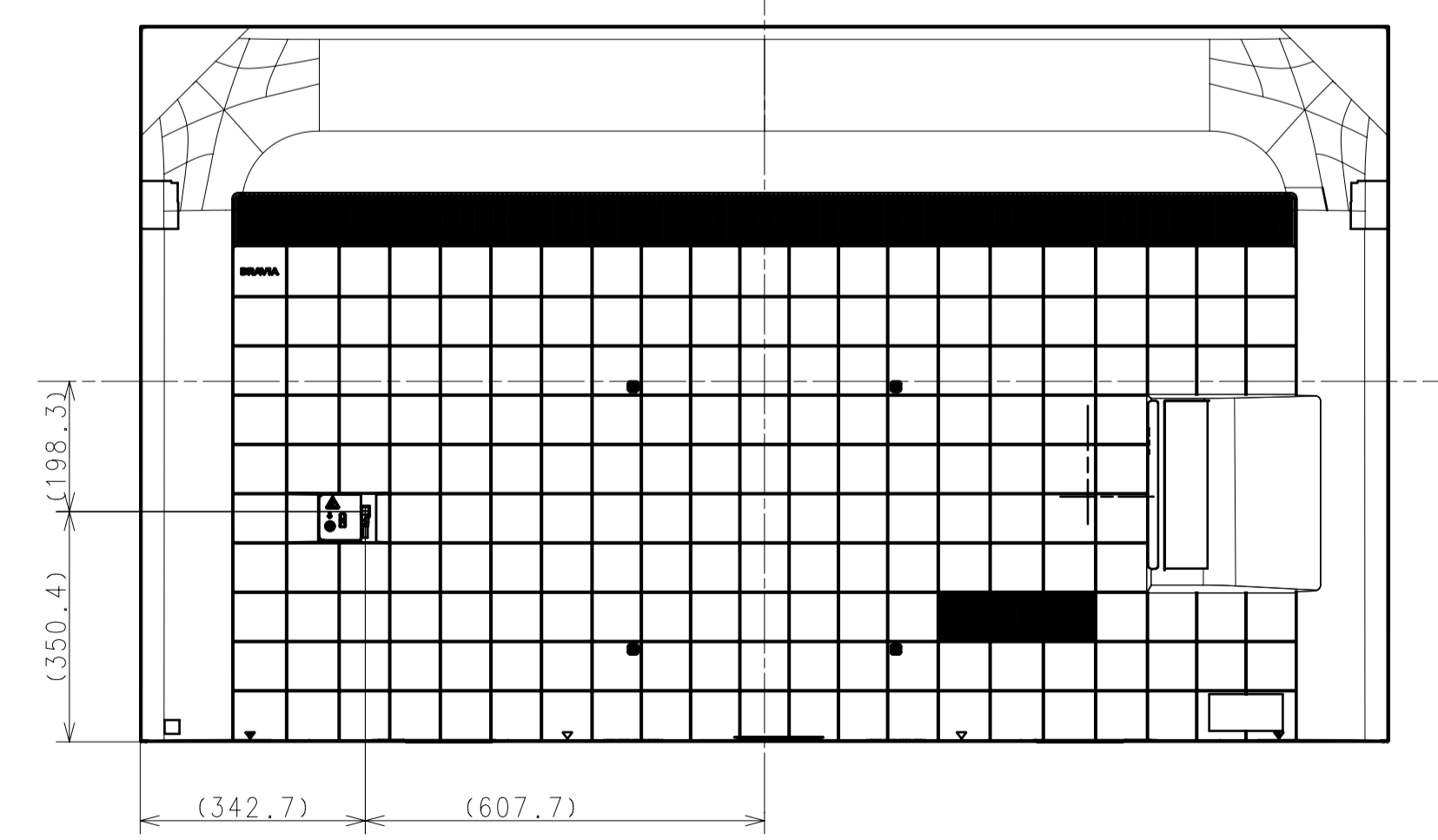
WITHOUT STAND



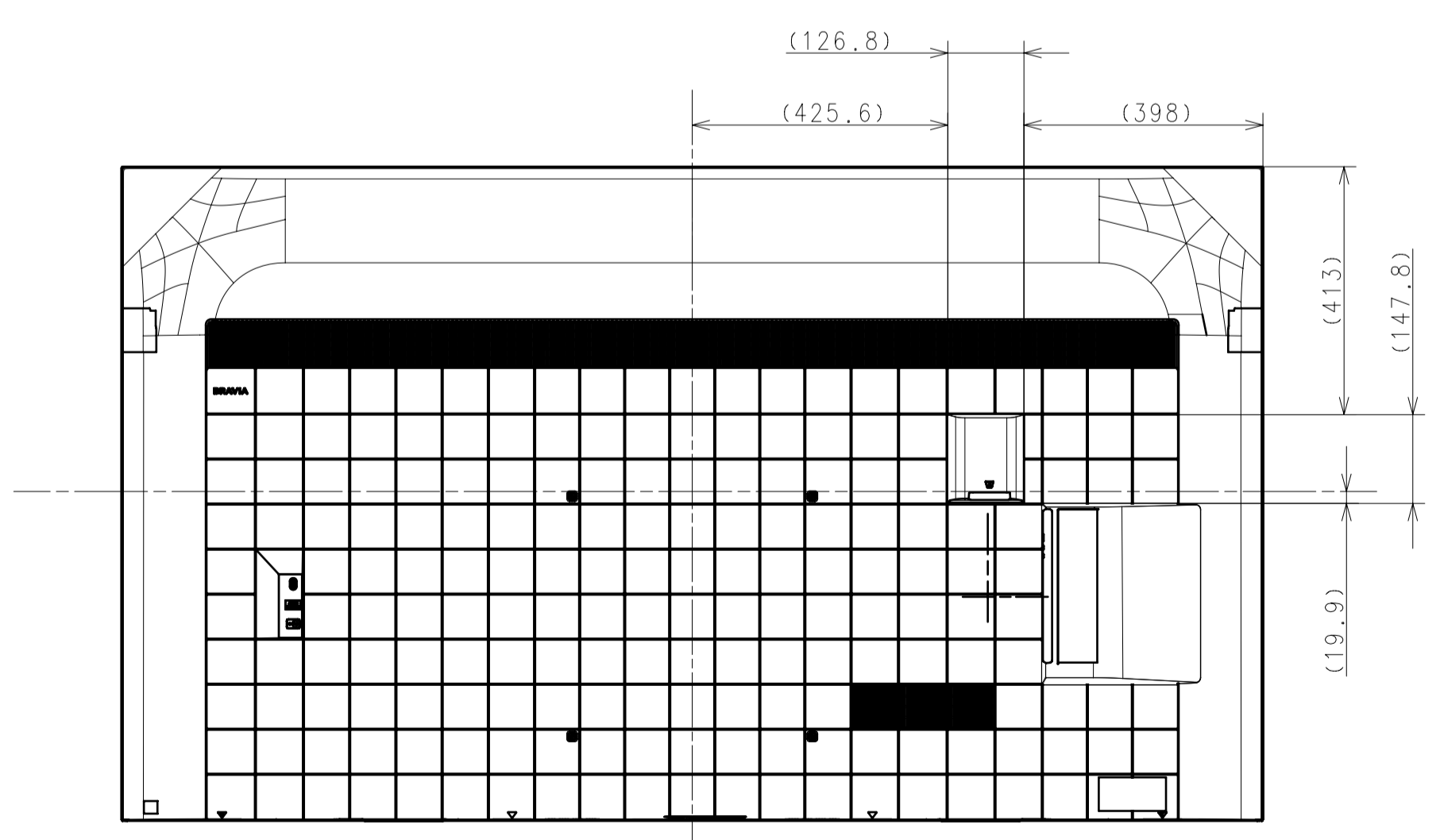
72.6(73:SPEC)  
(2 7/8 Inch:SPEC)



For GENERAL AREA



For JAPAN



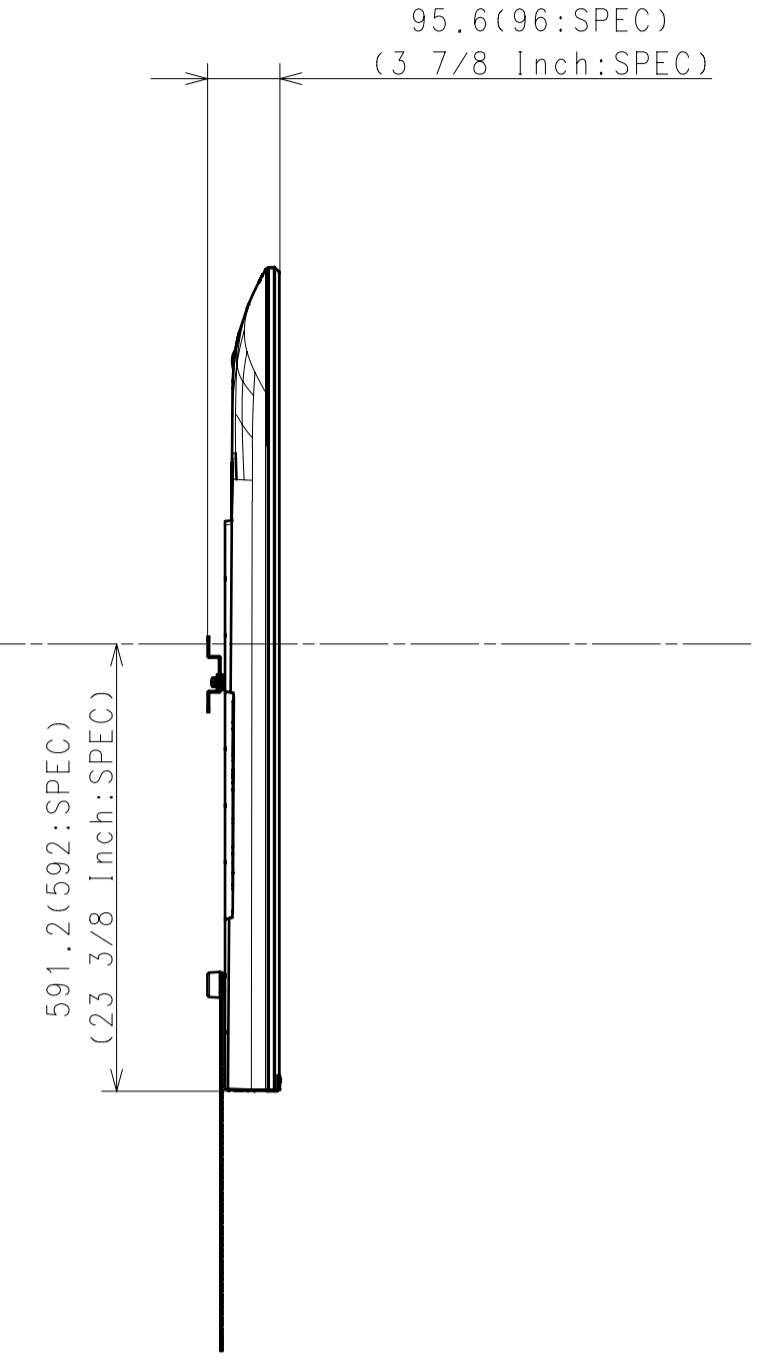
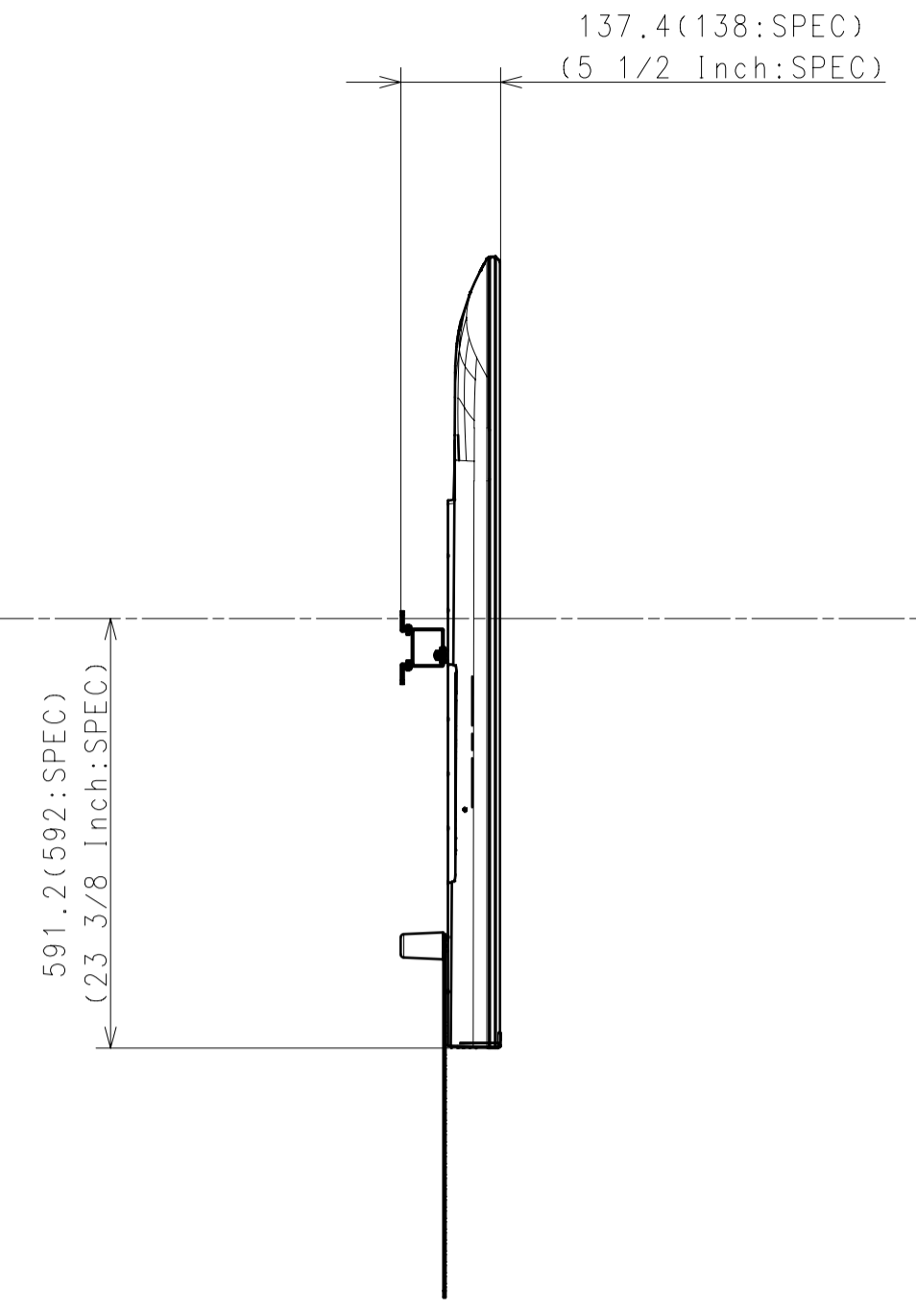
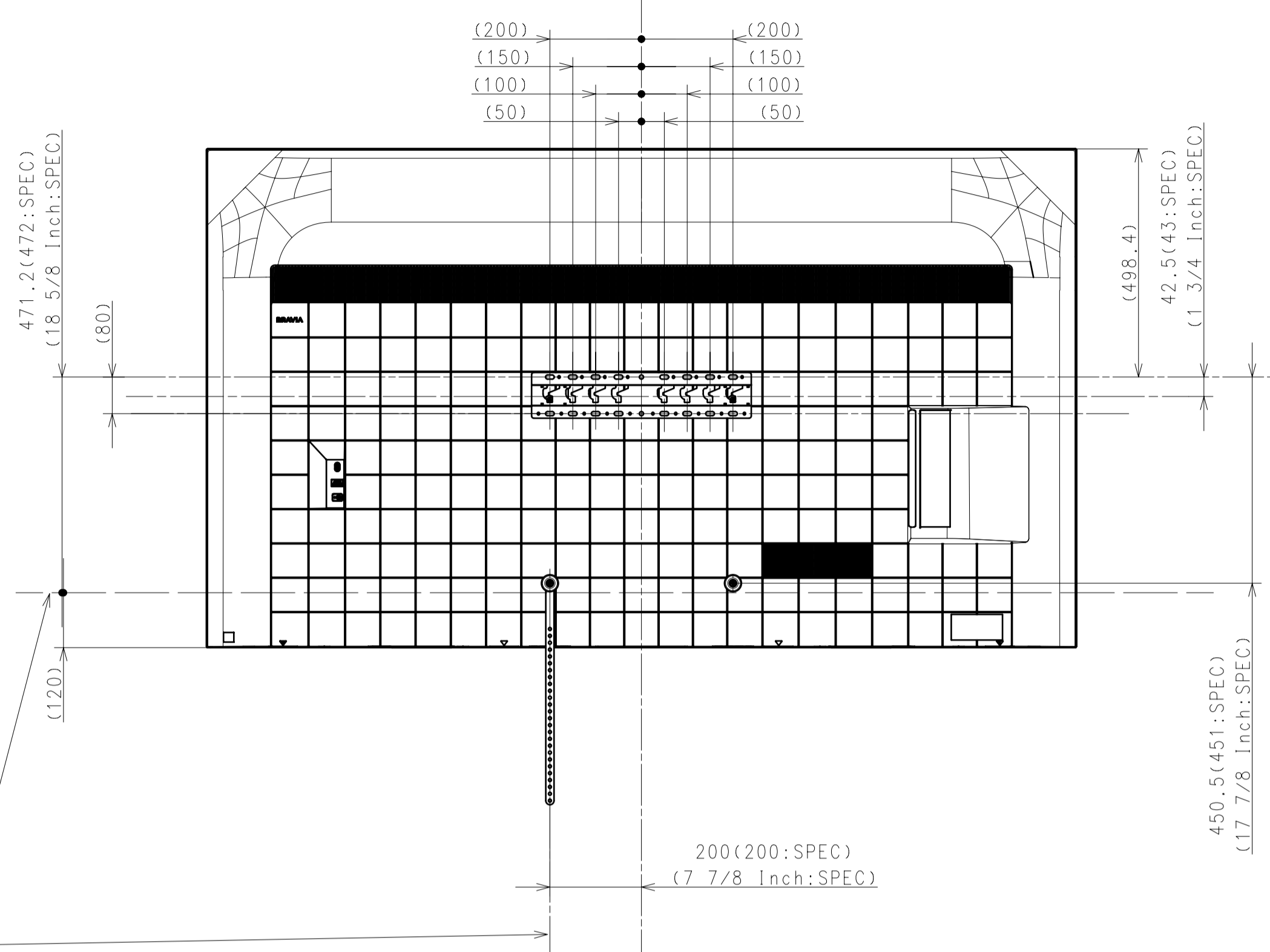
For EUROPE

DESCRIPTION 85 (X80L) EXTERIOR VIEW	LEGAL OWNER Sony Corporation	SCALE 1:10
DESCRIPTION 85 (X80L) EXTERIOR VIEW	PART NO.	SHEET/PAGES 3 / 4

SU-WL450

STANDARD

SLIM



SU-WL450 Masking Tape Alignment Line

SONY STANDARD

DESCRIPTION	LEGAL OWNER	SCALE
85 (X80L) EXTERIOR VIEW	Sony Corporation	1:10
DESCRIPTION	PART NO.	SHEET/PAGES
85 (X80L) EXTERIOR VIEW		4 / 4