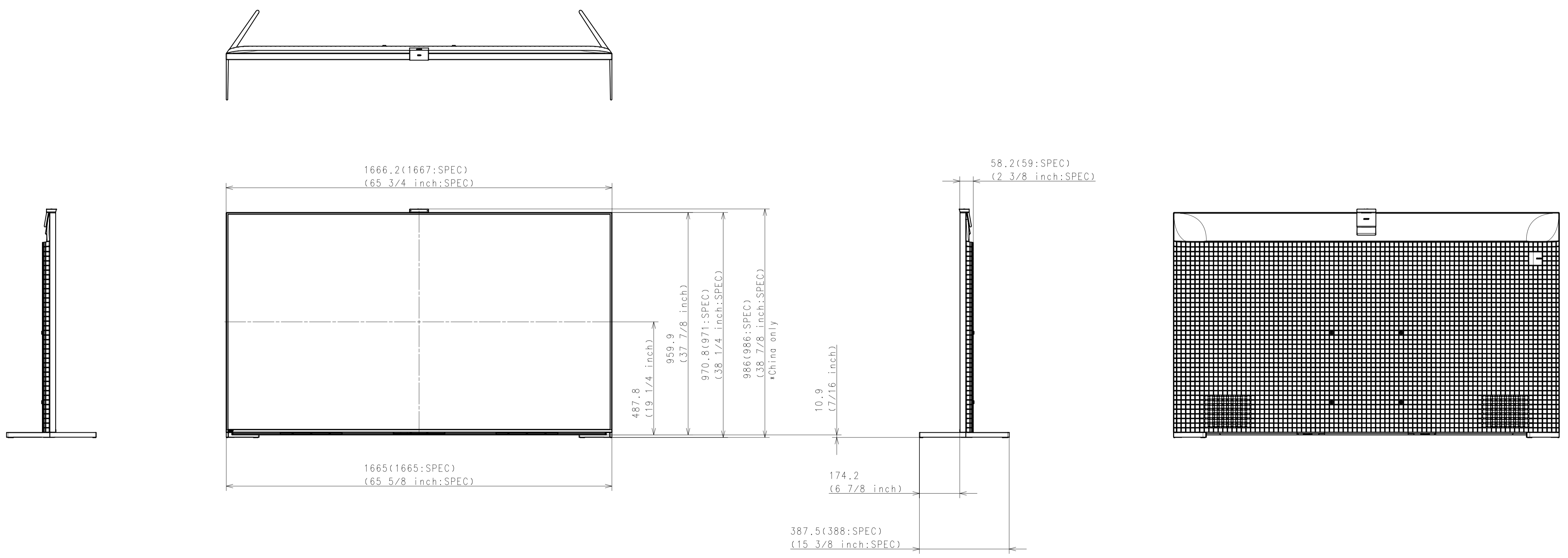


Area	JAPAN	EUROPE	GENERAL AREA	CHINA
Model Name	XRJ-75X95L	XR-75X95L	XR-75X95L	XR-75X95EL
SV No.	SV-41328	SV-41298	SV-41137	SV-41255
DIMENSION	TV only (W x H x D)	166.7 x 96.0 x 5.9 (3.99) cm	Approx. 166.7 x 96.0 x 5.9 (3.99) cm	Approx. 166.7 x 96.0 x 5.9 (39.9) mm
	TV only with camera (W x H x D)	-	-	Approx. 166.7 x 97.6 x 6.1 (52.6) mm
	TV with Stand (Standard position) (W x H x D)	166.7 x 97.1 x 38.8 cm	Approx. 166.7 x 97.1 x 38.8 cm	Approx. 166.7 x 97.1 x 388 mm
	TV with Stand (Narrow position) (W x H x D)	166.7 x 98.4 x 38.8 cm	Approx. 166.7 x 98.4 x 38.8 cm	Approx. 166.7 x 98.4 x 388 mm
	TV with Stand (Soundbar position) (W x H x D)	166.7 x 103.2 x 38.8 cm	Approx. 166.7 x 103.2 x 38.8 cm	Approx. 166.7 x 103.2 x 388 mm
	TV with Stand (Front position style) (W x H x D)	-	-	-
	TV with Stand (Back position style) (W x H x D)	-	-	-
	TV with Floor Stand (W x H x D)	-	-	-
	Stand Width (Standard position)	166.5 cm	Approx. 166.5 cm	Approx. 166.5 mm
	Stand Width (Narrow position)	54.9 cm	Approx. 54.9 cm	Approx. 54.9 mm
	Stand Width (Soundbar position)	166.5 cm	Approx. 166.5 cm	Approx. 166.5 mm
	Stand Width (Front position style)	-	-	-
	Stand Width (Back position style)	-	-	-
	Floor Stand Width	-	-	-
VESA Hole Pitch	30.0 x 30.0 cm	30.0 x 30.0 cm	300 x 300 mm	
WEIGHT	TV Only	42.2 kg	Approx. 42.2 kg	Approx. 42.2 kg
	TV with Stand (Standard position)	44.1 kg	Approx. 44.1 kg	Approx. 44.1 kg
	TV with Stand (Narrow position)	44.1 kg	Approx. 44.1 kg	Approx. 44.1 kg
	TV with Stand (Soundbar position)	44.1 kg	Approx. 44.1 kg	Approx. 44.1 kg
	TV with Stand (Front/Back position style)	-	-	-
	TV with Floor Stand	-	-	-
Floor Stand weight (Supply)	-	-	-	-
W-M't Br. Weight (Supply)	-	-	-	-
Remarks	3way	3way	3way	3way

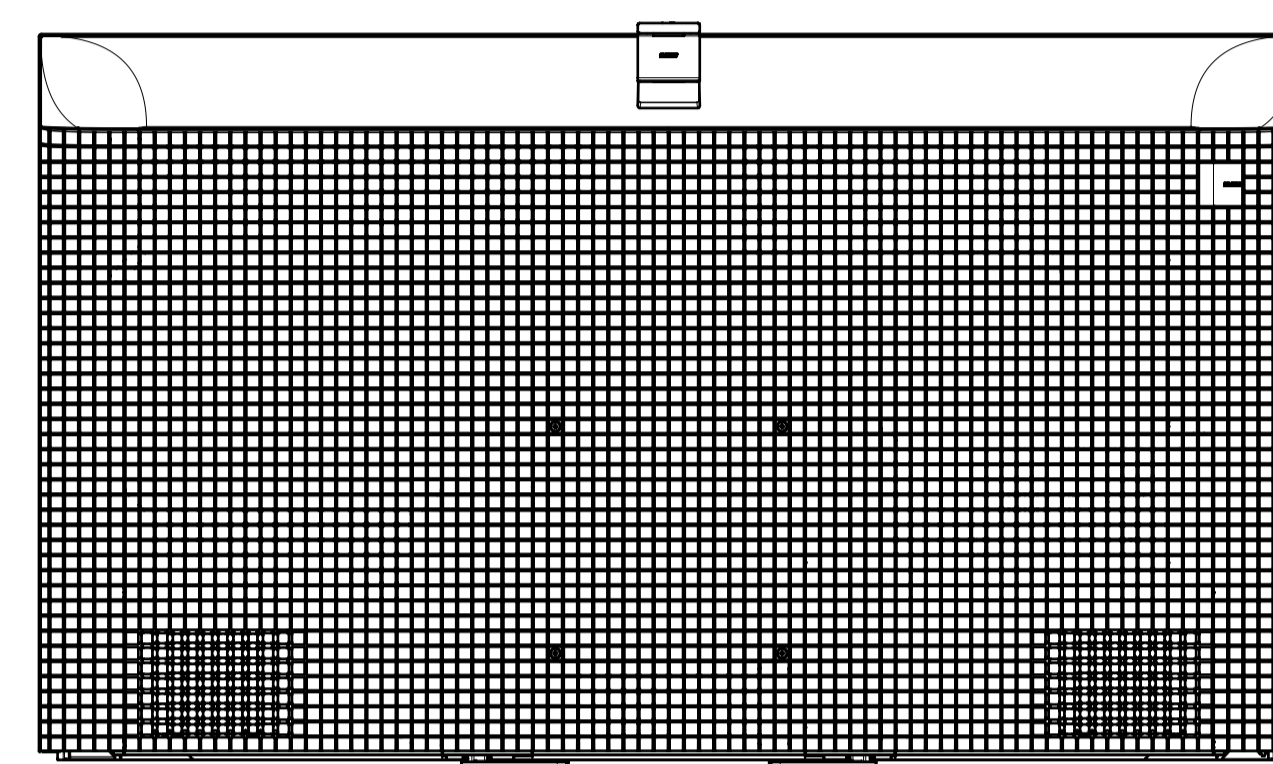
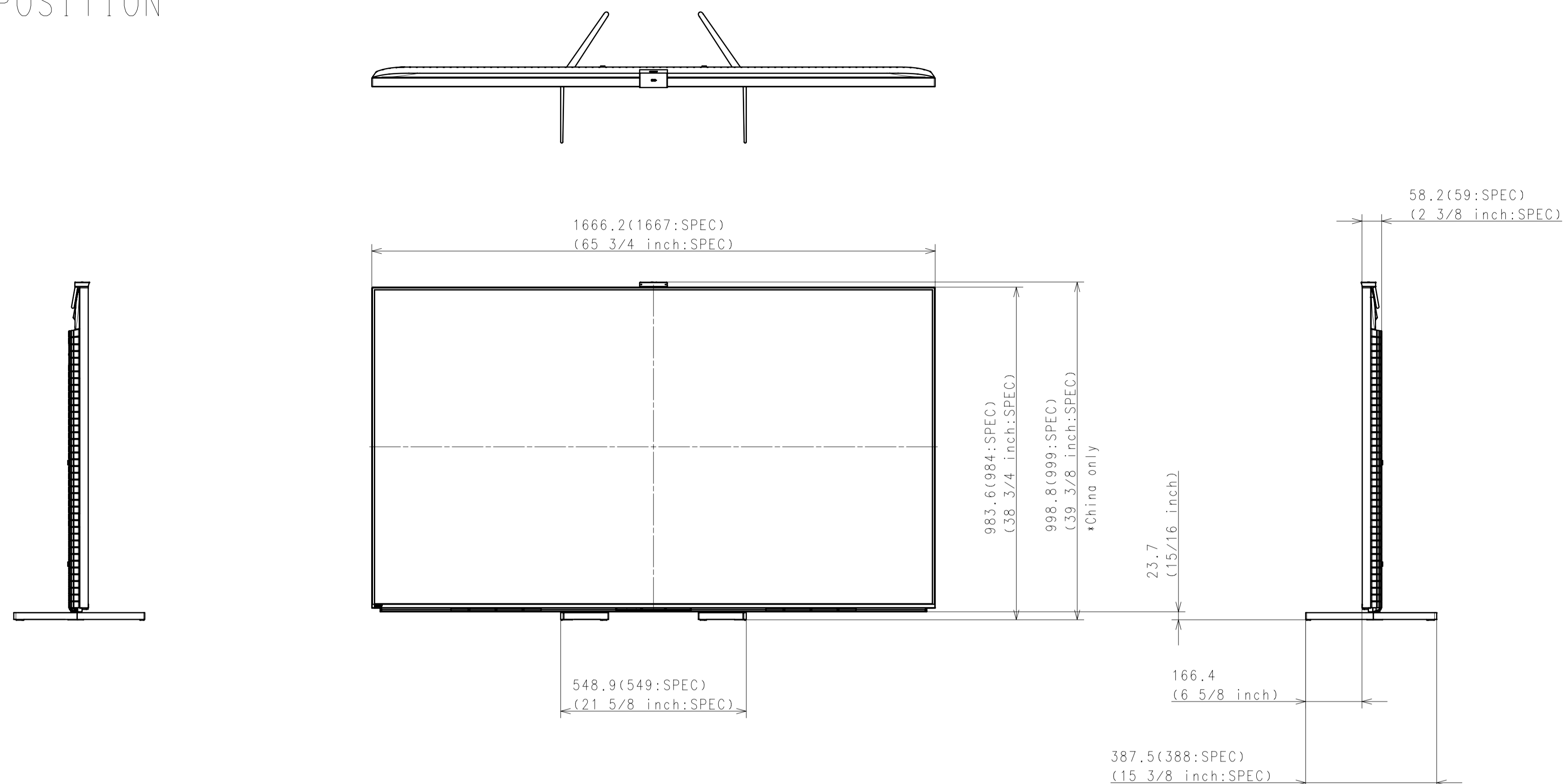
WITH STAND
STANDARD POSITION



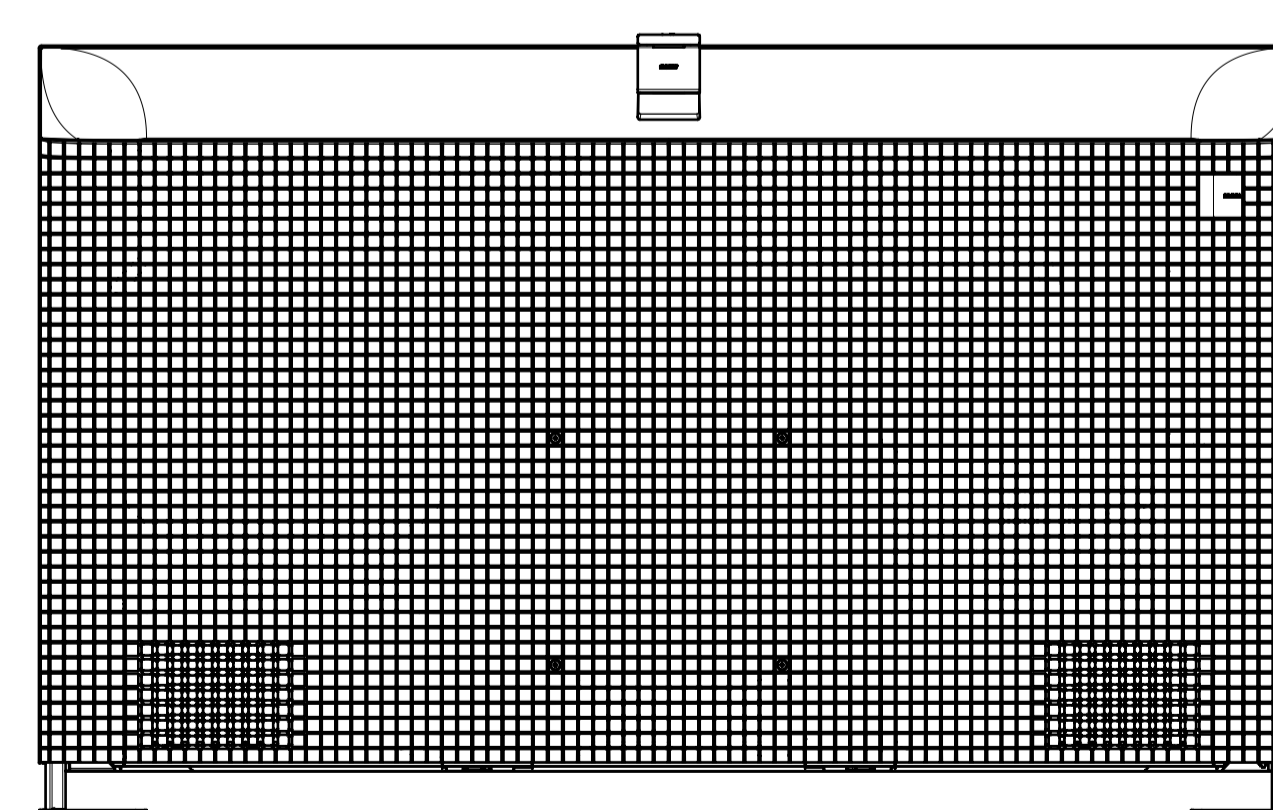
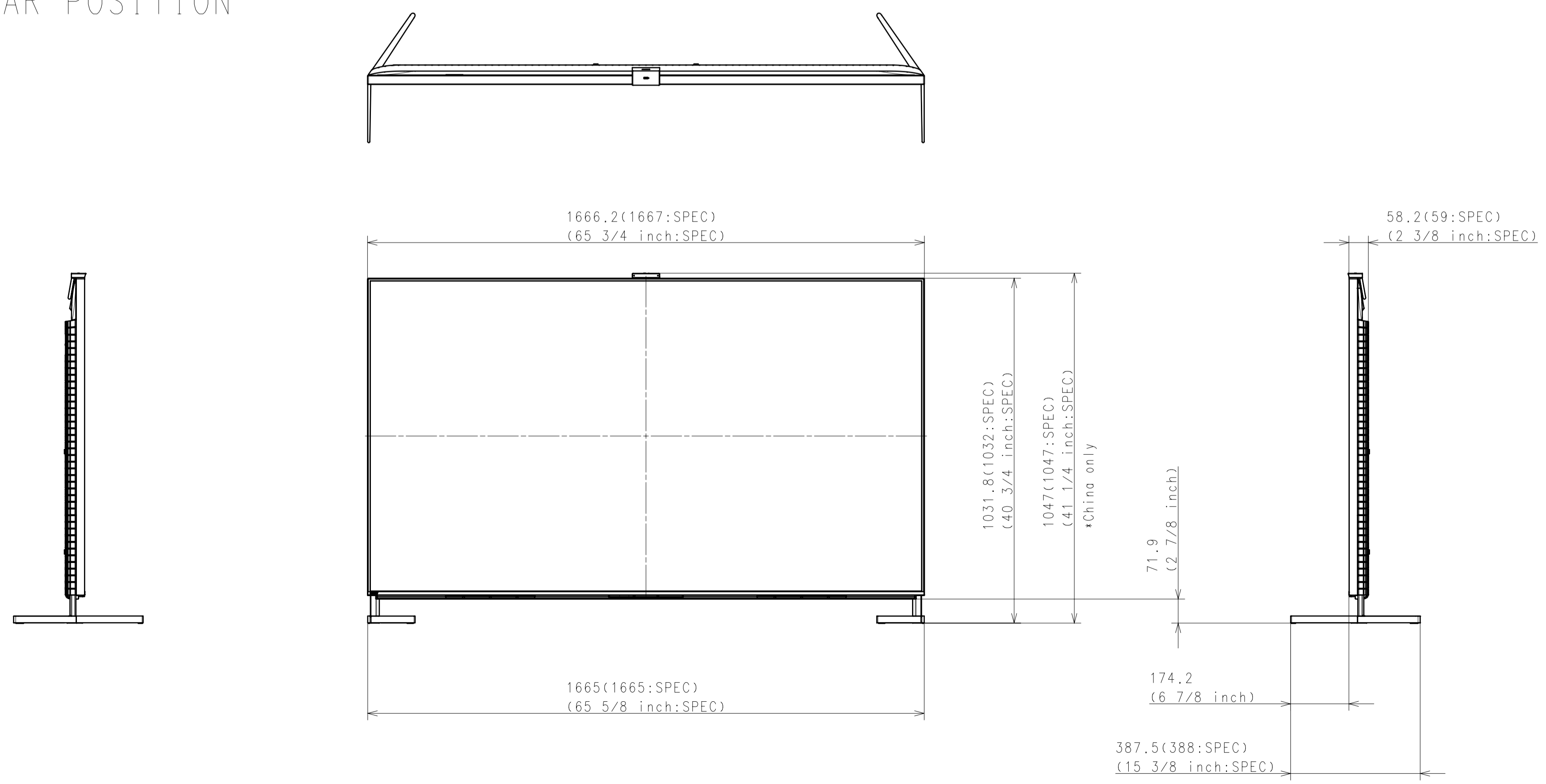
Purchase recycled resins and wire rods only from the business partners that Sony approves as Green Partners.
再生樹脂・銅線材はグリーンパートナー認定者からの調達を求めます。

△x					GENERAL TOLERANCE	DATE OF ISSUE
△y						2022.10.11
△z						DOCUMENT TYPE
△4	2023.01.13	Revise, Dimension correction	Denki.Sony			PART
HISTORY	SUFFIX	RELEASE NO.	REVISION	SIGN.		TOLERANCE
X COUNT	PREL. NO.	DATE				DRAWING
LEGAL OWNER						(JIS 0 000150 PARTS)
Sony Corporation					MATERIAL COLOR	FINISH COLOR
RESPONSIBLE DEPARTMENT	ORIGINAL MODEL	DESCRIPTION				
HES-TV Div.	75(X95L)	75(X95L) EXTERIOR VIEW				
PLANNED BY	CHECKED BY	APPROVED BY	SCALE	TENTATIVE MODEL		
Yoshihiko Igarashi			1:10	75(X95L) EXTERIOR VIEW		
DRAWN BY	SIZE	UNIT	PAGE NO.	SUFFIX	REV. NO.	SHEET/PAGES
Yoshihiko Igarashi	A1	mm				1/4
DATE						
2022.10.11						

WITH STAND
NARROW POSITION

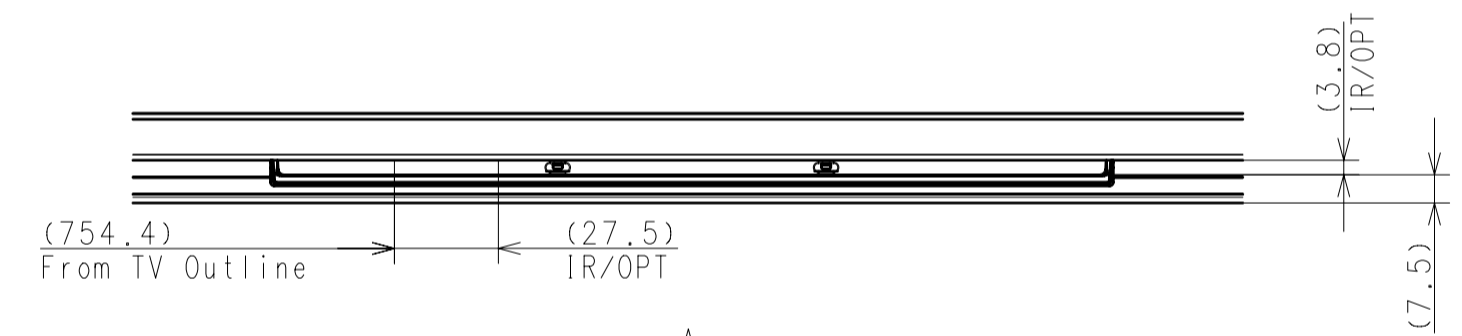
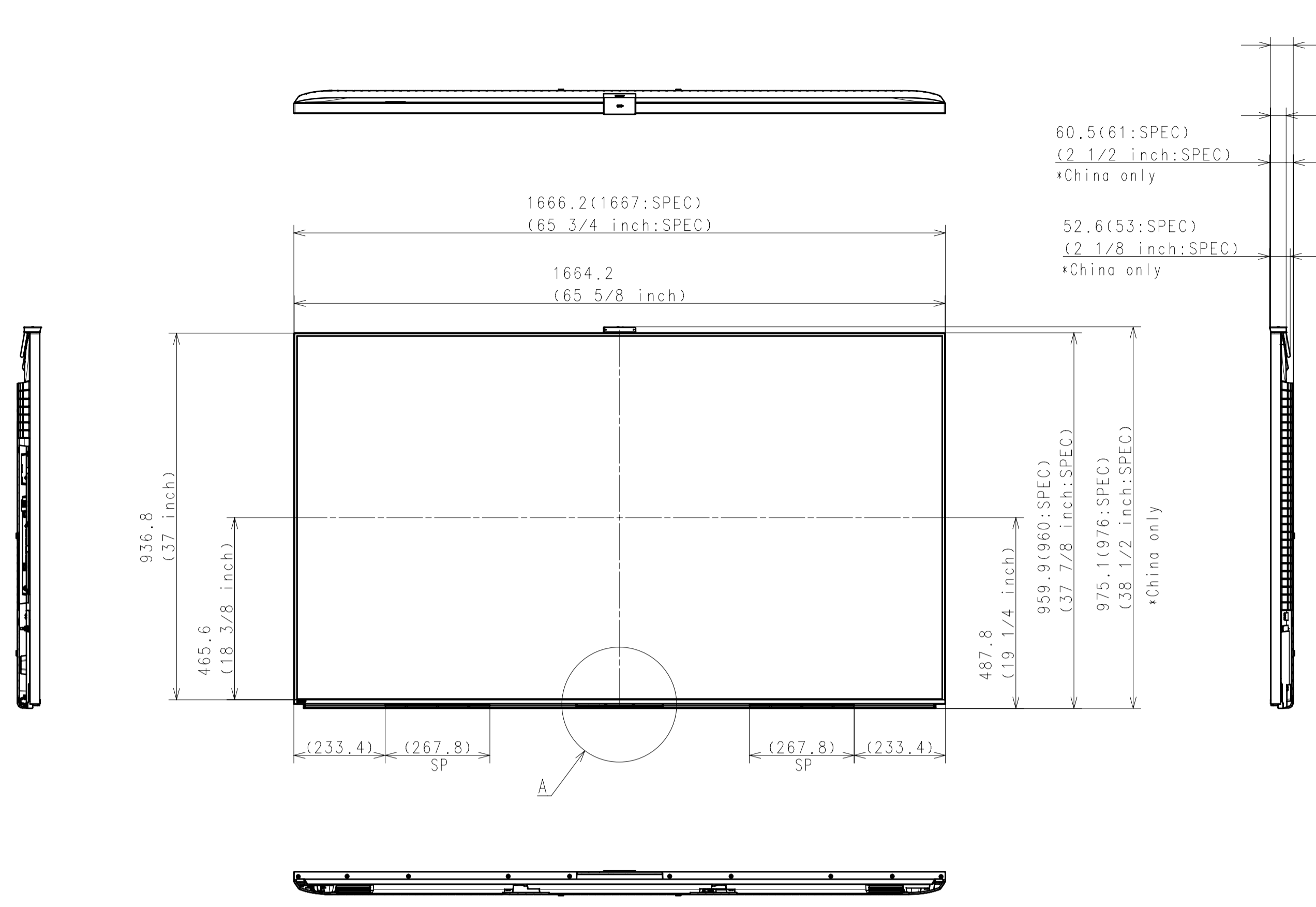


WITH STAND
SOUND BAR POSITION



DESCRIPTION	LEGAL OWNER	SCALE
75(X95L) EXTERIOR VIEW	Sony Corporation	1:10
75(X95L) EXTERIOR VIEW	PART NO.	SHEET/PAGES
		2 / 4

WITHOUT STAND

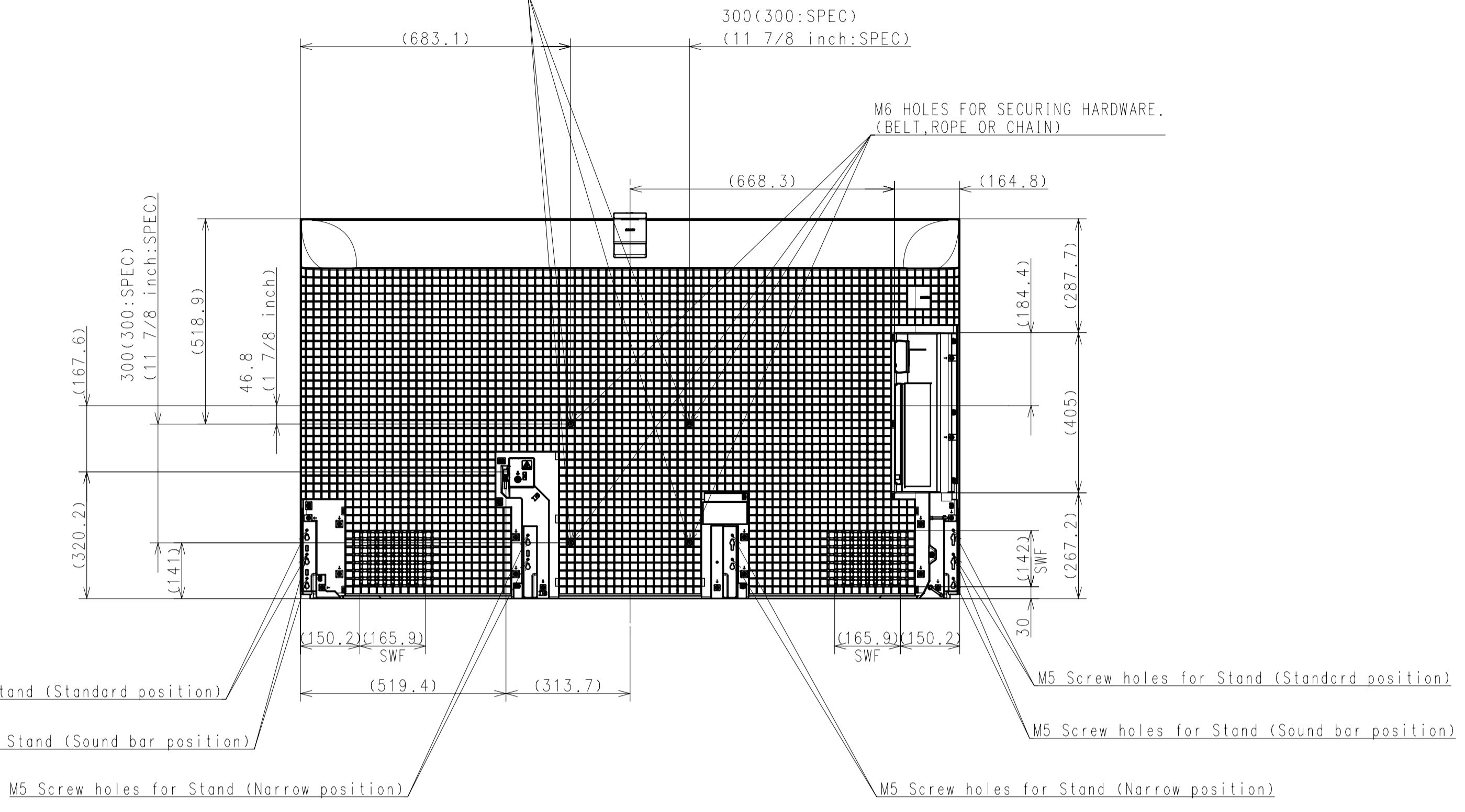


A
1:2

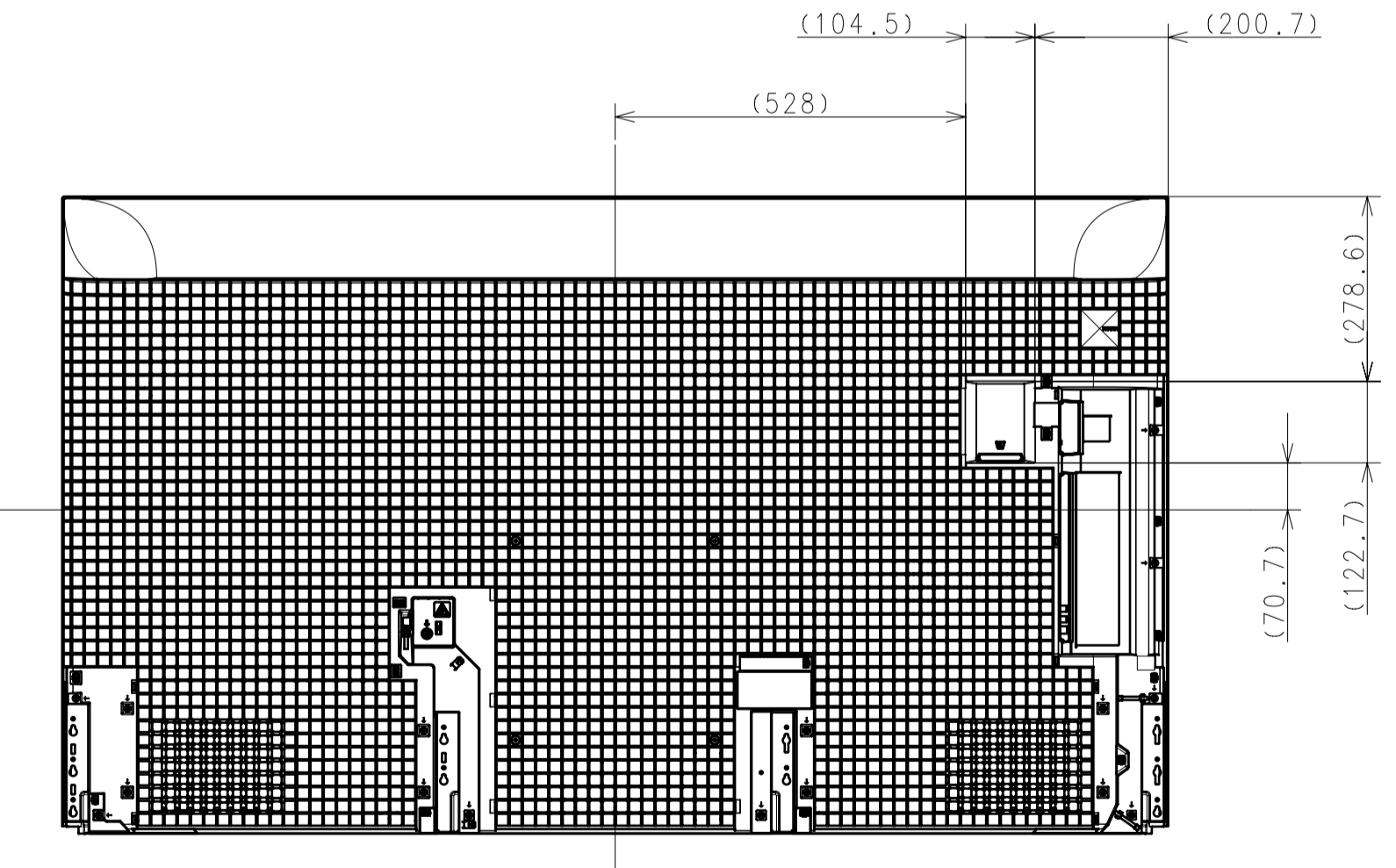
58.2 (59:SPEC)
(2 3/8 inch:SPEC)

39.9 (40:SPEC)
(1 5/8 inch:SPEC)

M6 HOLES FOR WALL MOUNT BRACKET
*REFER TO INSTRUCTION MANUAL FOR SCREW LENGTH INFORMATION



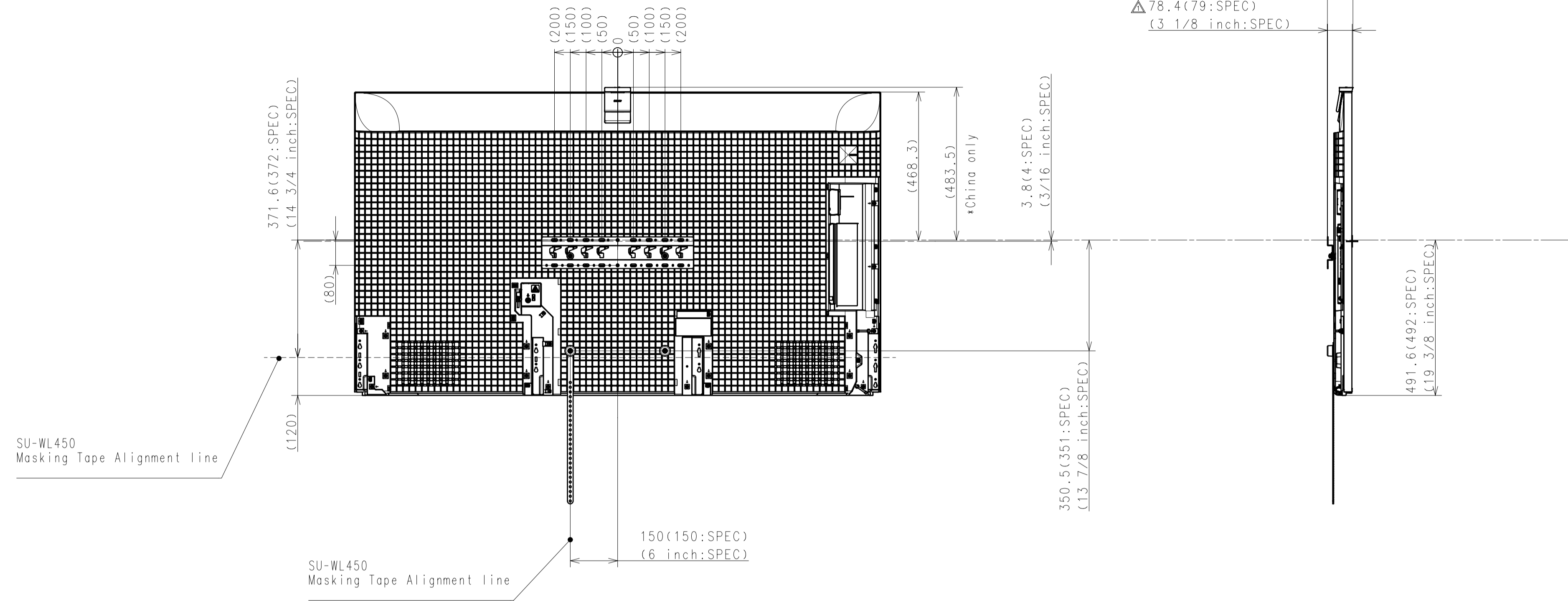
FOR EXCEPT EUROPE



FOR EUROPE

DESCRIPTION 1	75(X95L) EXTERIOR VIEW	LEGAL OWNER	Sony Corporation	SCALE	1:10
DESCRIPTION 2	75(X95L) EXTERIOR VIEW	PART NO.		SHEET/PAGES	3 / 4

SU-WL450 SLIM



△ 80.7(81:SPEC)
(3 1/4 inch:SPEC)
*China only

△ 78.4(79:SPEC)
(3 1/8 inch:SPEC)

SU-WL450
Masking Tape Alignment line

371.6(372:SPEC)
(14 3/4 inch:SPEC)

(80)

(120)

(80)

SU-WL450
Masking Tape Alignment line

150(150:SPEC)
(6 inch:SPEC)

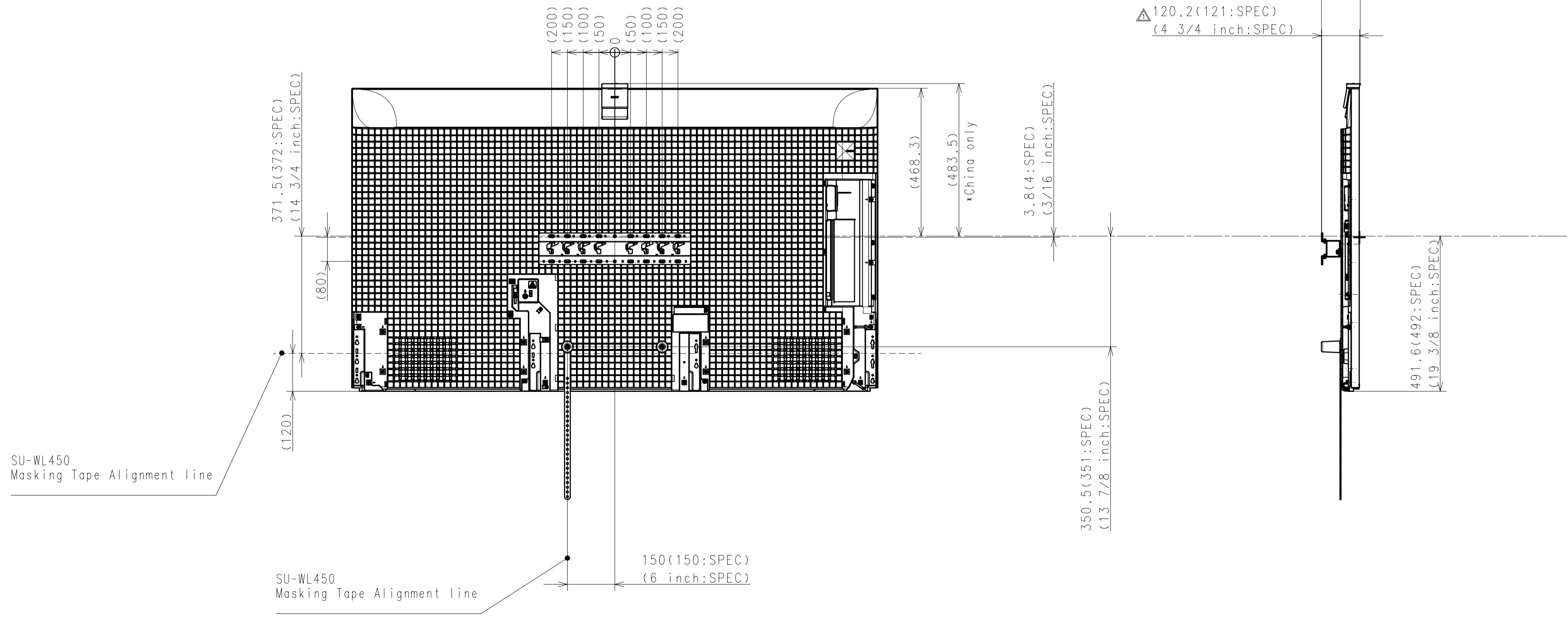
(468.3)
(483.5)
*China only

3.8(4:SPEC)
(3/16 inch:SPEC)

350.5(351:SPEC)
(13 7/8 inch:SPEC)

491.6(492:SPEC)
(19 3/8 inch:SPEC)

SU-WL450 STANDARD



△ 122.5(123:SPEC)
(4 7/8 inch:SPEC)
*China only

△ 120.2(121:SPEC)
(4 3/4 inch:SPEC)

SU-WL450
Masking Tape Alignment line

371.5(372:SPEC)
(14 3/4 inch:SPEC)

(80)

(120)

(80)

SU-WL450
Masking Tape Alignment line

150(150:SPEC)
(6 inch:SPEC)

(468.3)
(483.5)
*China only

3.8(4:SPEC)
(3/16 inch:SPEC)

350.5(351:SPEC)
(13 7/8 inch:SPEC)

491.6(492:SPEC)
(19 3/8 inch:SPEC)

DESCRIPTION1 75(X95L) EXTERIOR VIEW	LEGAL OWNER Sony Corporation	SCALE 1:10
DESCRIPTION2 75(X95L) EXTERIOR VIEW	PART NO.	SHEET/PAGES 4 / 4