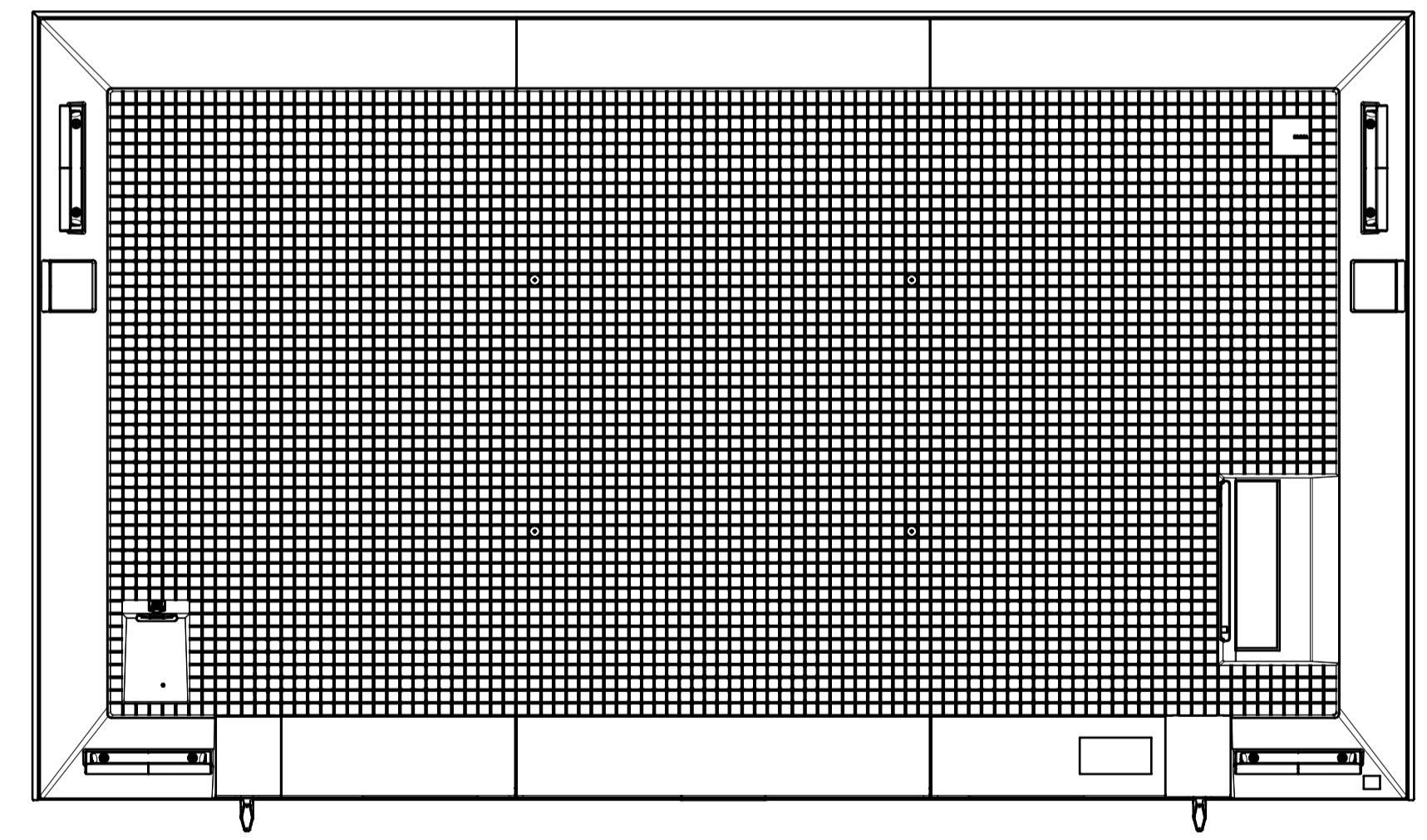
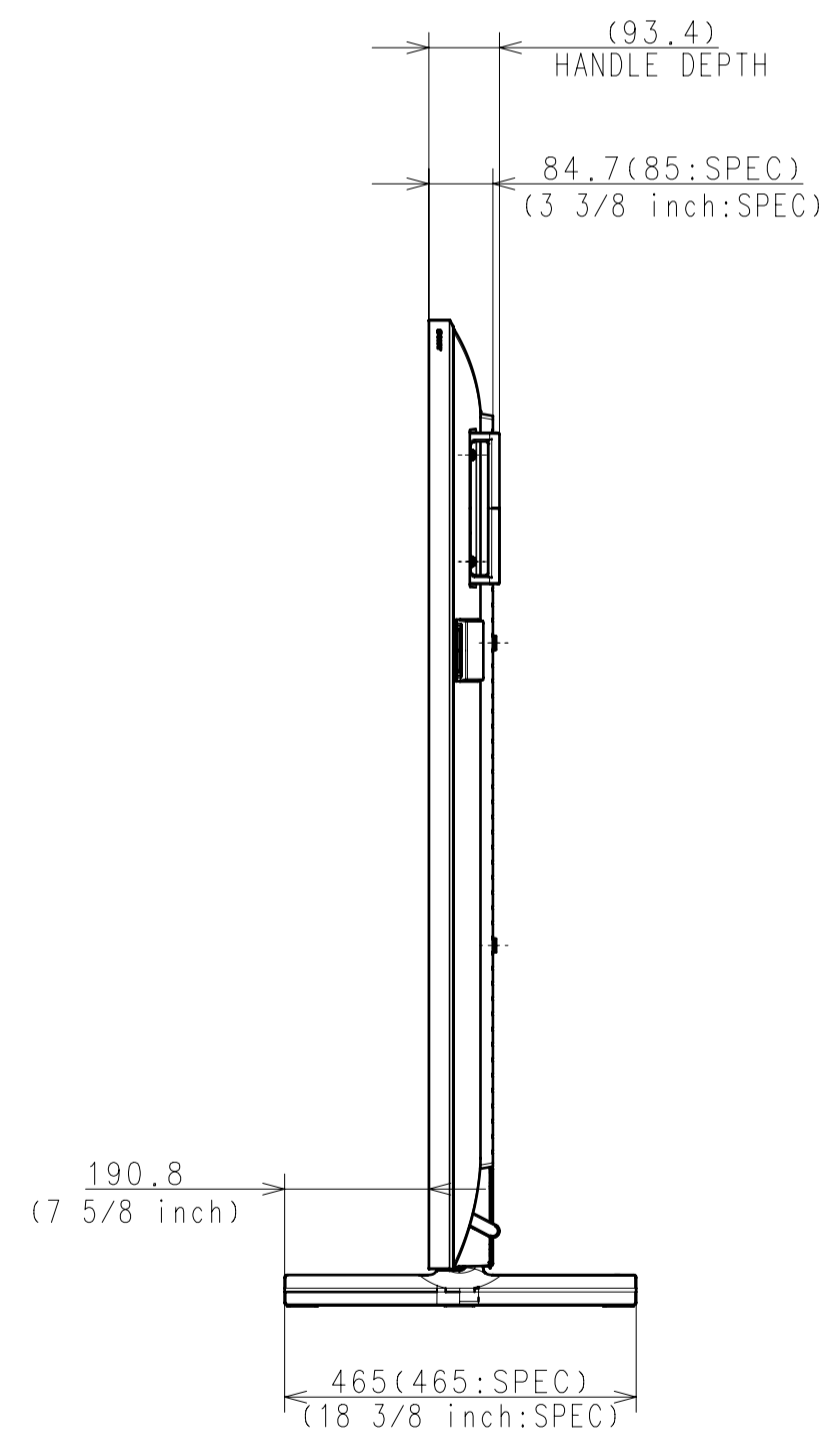
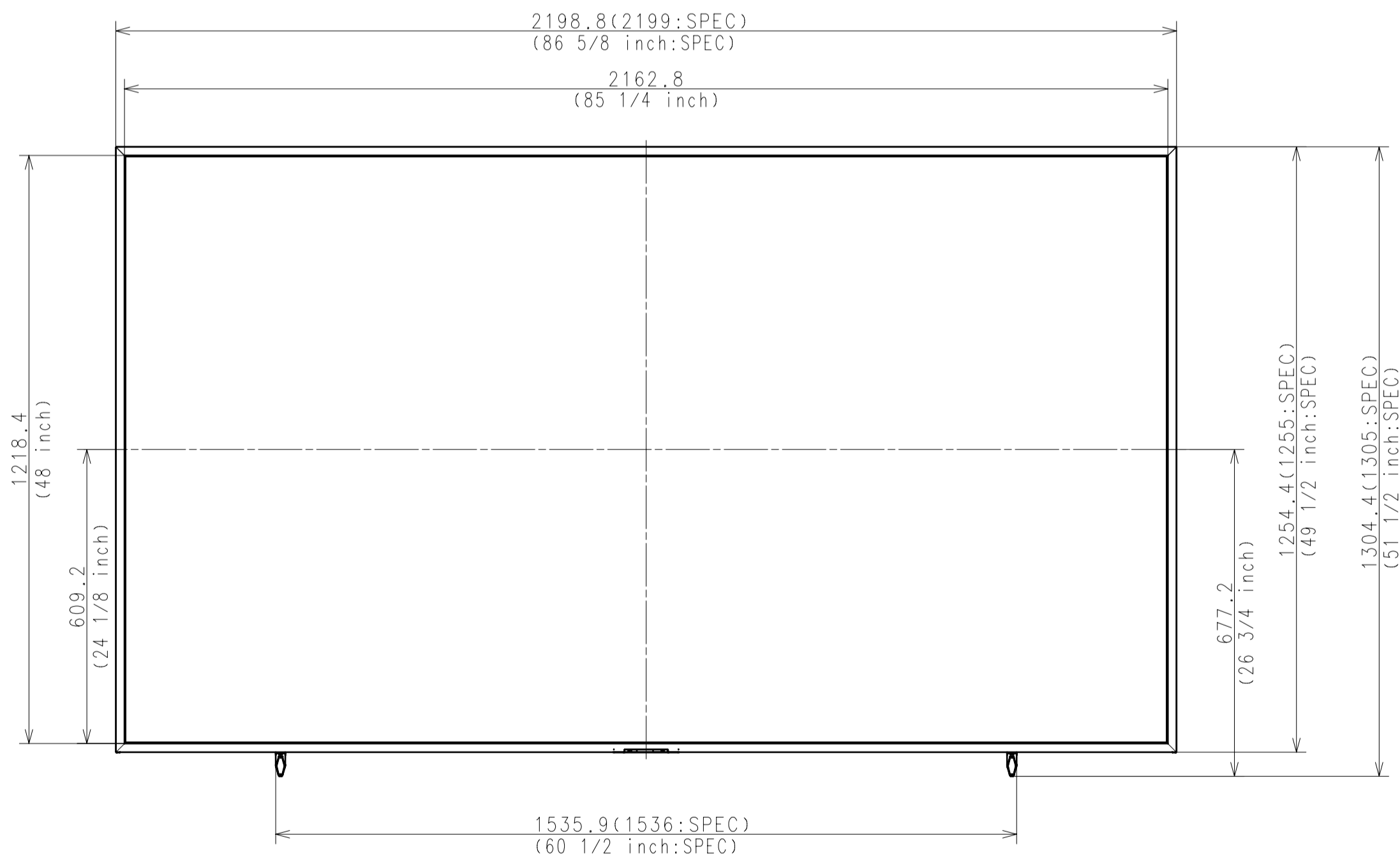
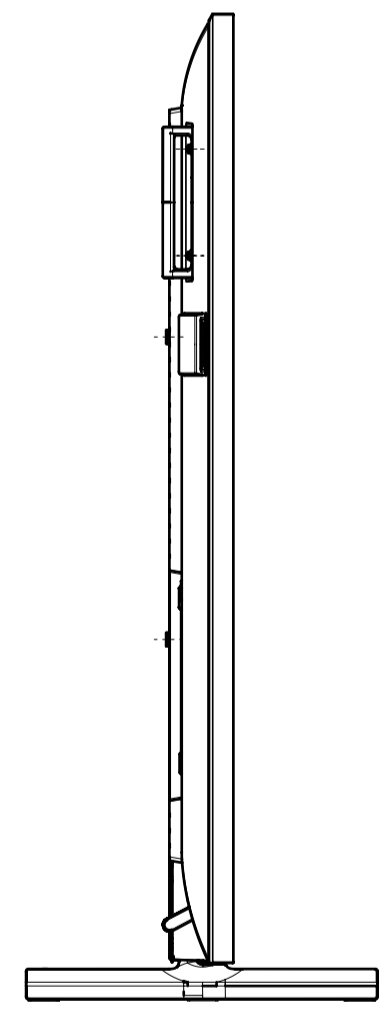
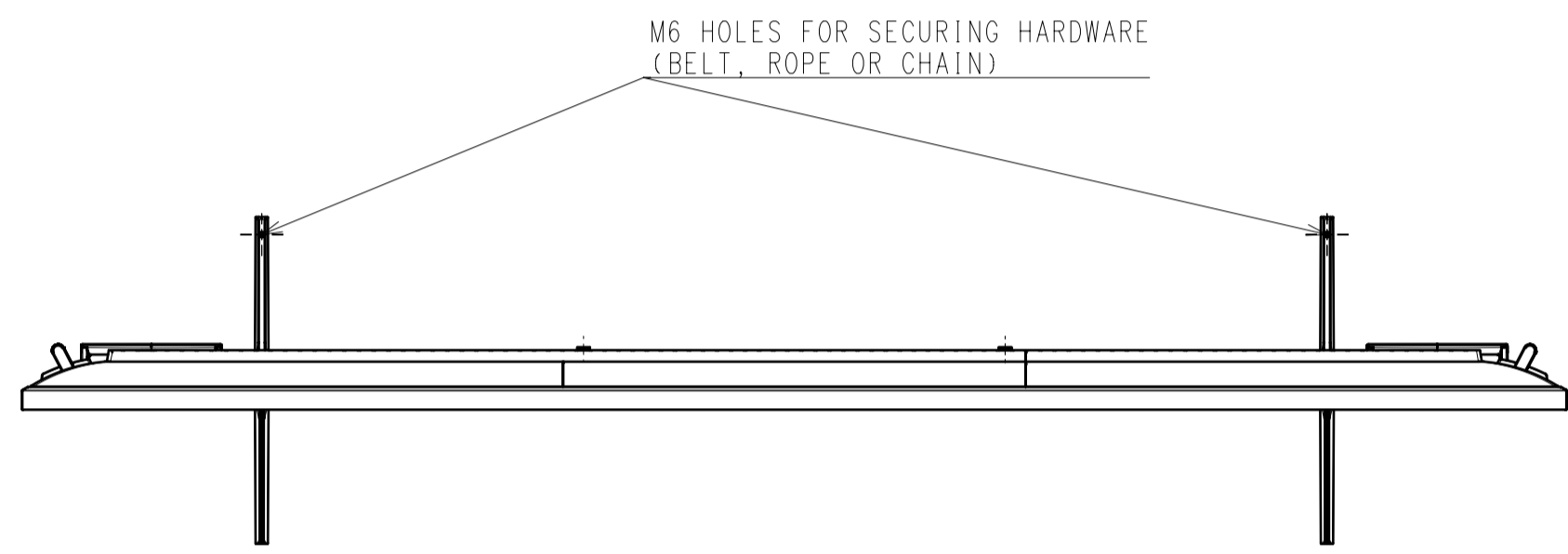


Area		NORTH AMERICA	EUROPE	GENERAL AREA	CHINA
Model Name		XR-98X90L	XR-98X90L	XR-98X90L	XR-98X90L
SV No.		SV-41057	SV-41285	SV-41127	SV-41237
DIMENSION	TV only (W x H x D)	2199 x 1255 x 85 mm / 86 5/8 x 49 1/2 x 3 3/8 inch	Approx. 219.9 x 125.5 x 8.5 cm	Approx. 2199 x 1255 x 85 mm	Approx. 2199 x 1255 x 85 mm
	TV only with camera (W x H x D)	-	-	-	-
	TV with Stand (Standard position) (W x H x D)	2199 x 1305 x 465 mm / 86 5/8 x 51 1/2 x 18 3/8 inch	Approx. 219.9 x 130.5 x 46.5 cm	Approx. 2199 x 1305 x 465 mm	Approx. 2199 x 1305 x 465 mm
	TV with Stand (Narrow position) (W x H x D)	-	-	-	-
	TV with Stand (Soundbar position) (W x H x D)	-	-	-	-
	TV with Stand (Front position style) (W x H x D)	-	-	-	-
	TV with Stand (Back position style) (W x H x D)	-	-	-	-
	TV with Floor Stand (W x H x D)	-	-	-	-
	Stand Width (Standard position)	1536 mm / 60 1/2 inch	Approx. 153.6 cm	Approx. 1536 mm	Approx. 1536 mm
	Stand Width (Narrow position)	-	-	-	-
	Stand Width (Soundbar position)	-	-	-	-
	Stand Width (Front position style)	-	-	-	-
Stand Width (Back position style)	-	-	-	-	
Floor Stand Width	-	-	-	-	
VESA Hole Pitch	600 x 400 mm / 23 5/8 x 15 3/4 inch	60.0 x 40.0 cm	600 x 400 mm	600 x 400 mm	
WEIGHT	TV Only	67.2 kg / 148.1 lb	Approx. 67.2 kg	Approx. 67.2 kg	Approx. 67.2 kg
	TV with Stand (Standard position)	68.9 kg / 151.8 lb	Approx. 68.9 kg	Approx. 68.9 kg	Approx. 68.9 kg
	TV with Stand (Narrow position)	-	-	-	-
	TV with Stand (Soundbar position)	-	-	-	-
	TV with Stand (Front/Back position style)	-	-	-	-
	TV with Floor Stand	-	-	-	-
	Floor Stand weight (Supply)	-	-	-	-
W-M't Br. Weight (Supply)	-	-	-	-	
Remarks					

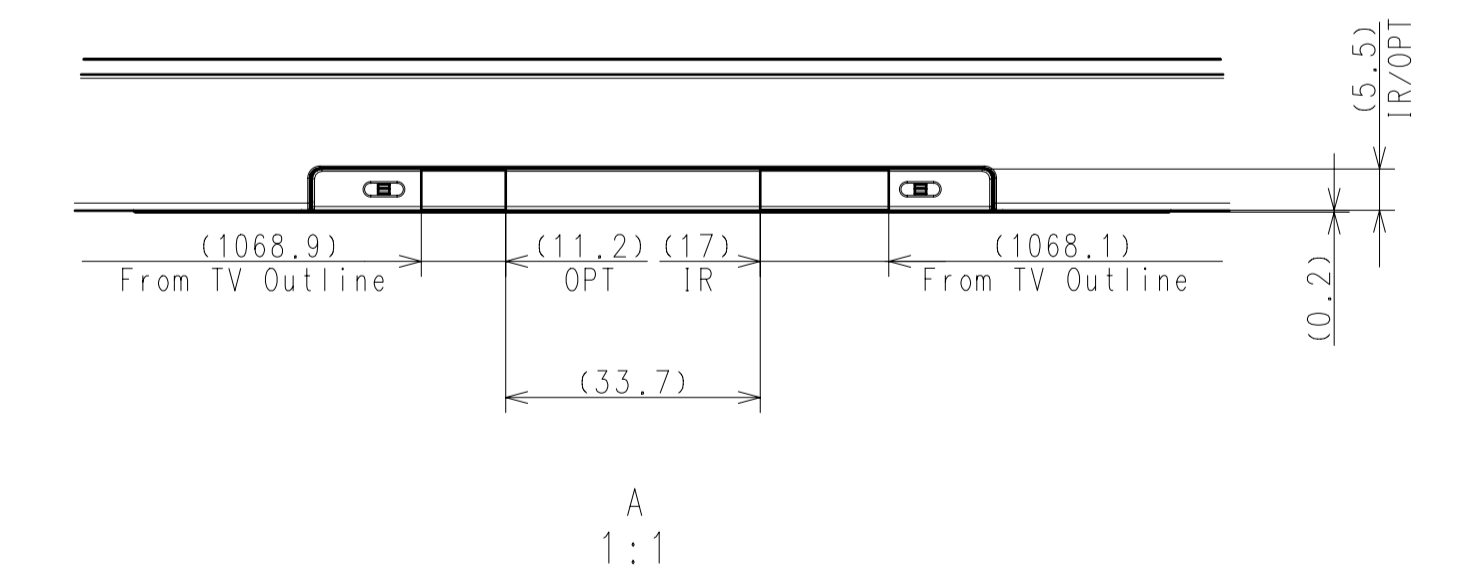
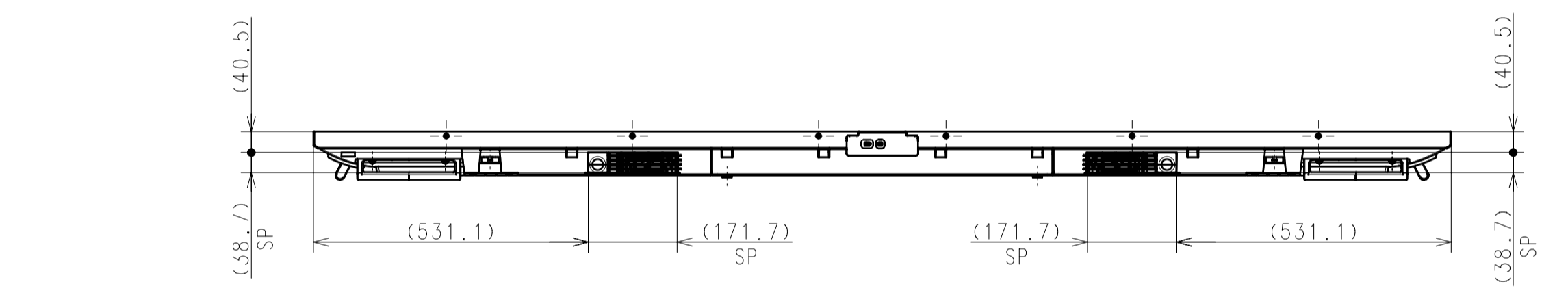
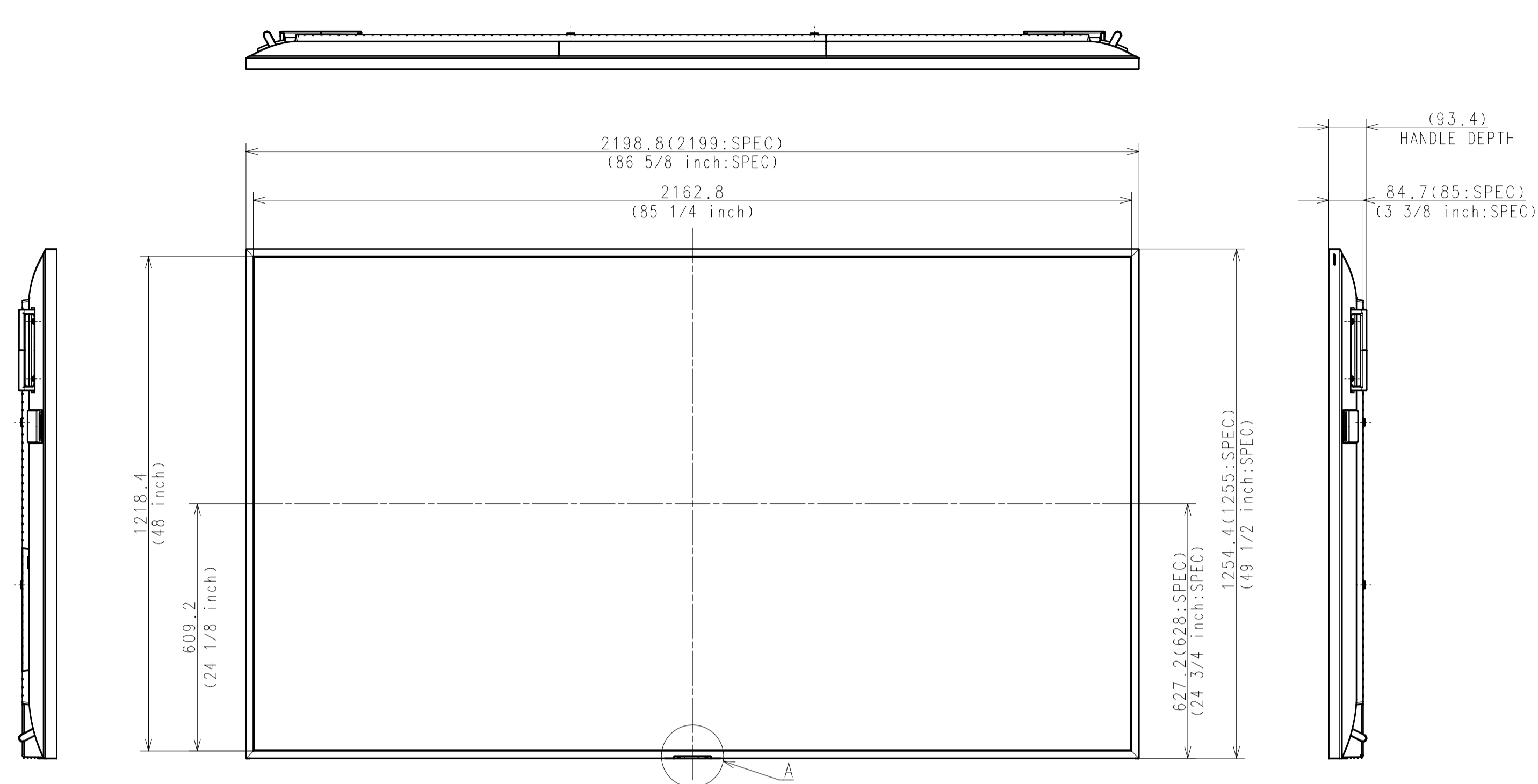
WITH STAND



Purchase recycled resins and wire rods only from the business partners that Sony approves as Green Partners.
再生樹脂・銅線はグリーンパートナー認定者からの調達を要します。

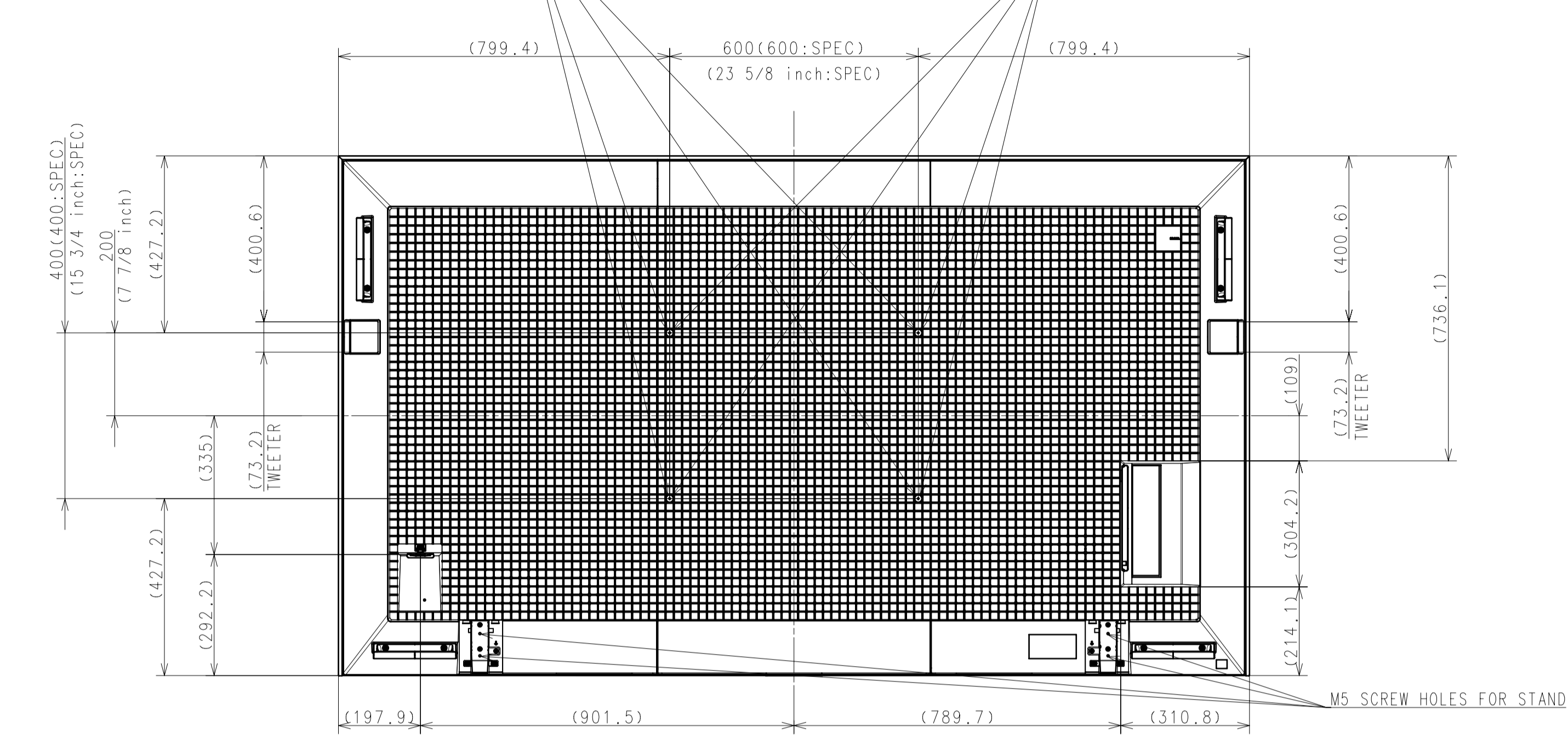
HISTORY X COUNT LEGAL OWNER Sony Corporation	SUFFIX PREL. NO. REV. DATE RELEASE NO. DATE REVISION SIGN.	ORIGINAL MODEL 98 (X90L) EXTERIOR VIEW	DESCRIPTION 98 (X90L) EXTERIOR VIEW	GENERAL TOLERANCE	DATE OF ISSUE 2023.01.31
				MATERIAL COLOR	FINISH COLOR
PLANNED BY 2023.01.31 TSUKASAKI KATSUKI	CHECKED BY 2023.01.31 TSUKASAKI KATSUKI	APPROVED BY 2023.01.31 TSUKASAKI KATSUKI	SCALE 1:10	TENTATIVE MODEL 98 (X90L) EXTERIOR VIEW	SHEET/PAGES 1 / 3

WITHOUT STAND

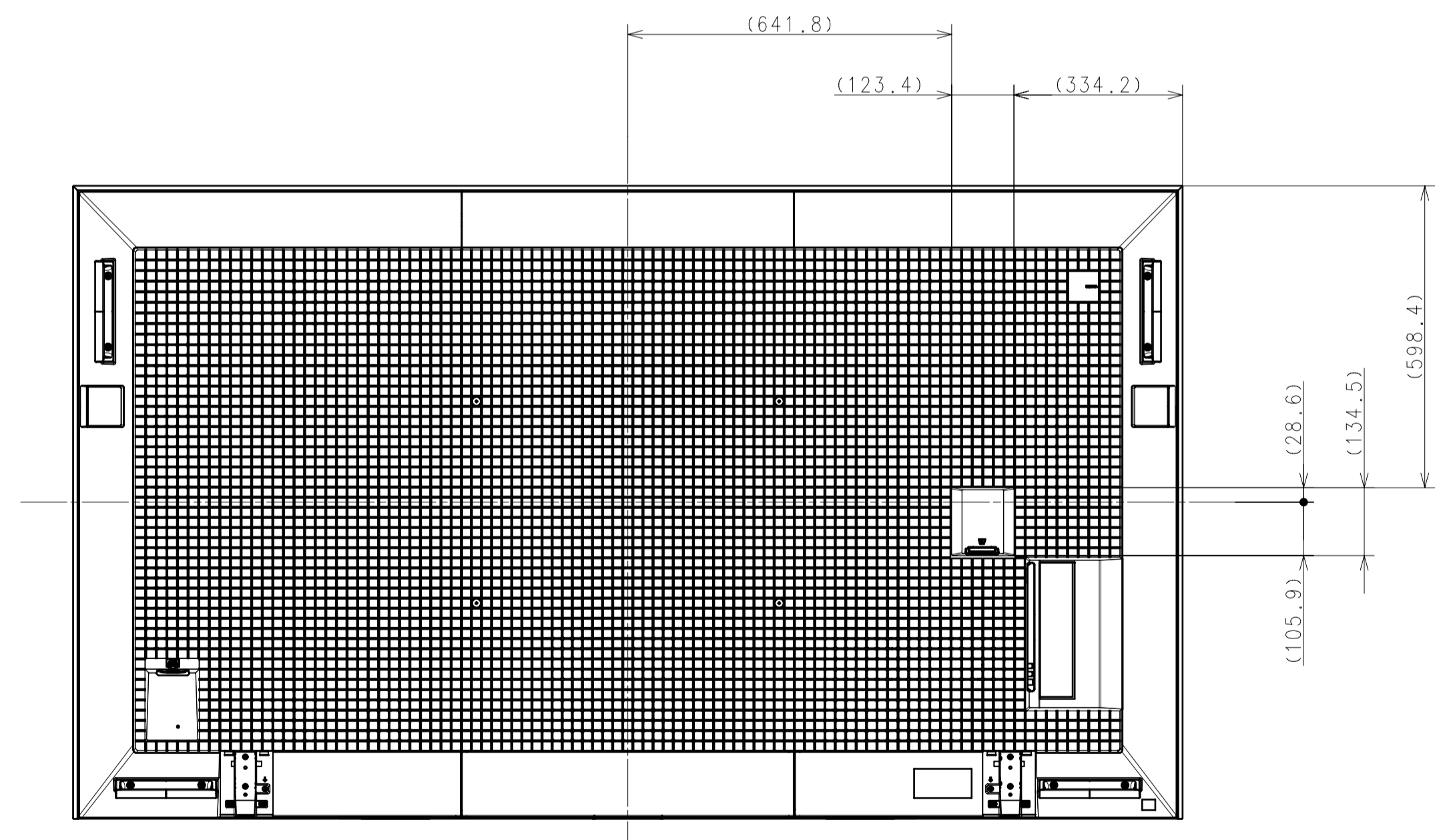


M8 HOLES FOR WALL MOUNT BRACKET
*REFER TO INSTRUCTION MANUAL FOR SCREW LENGTH INFORMATION

M8 HOLES FOR SECURING HARDWARE
(BELT, ROPE OR CHAIN)



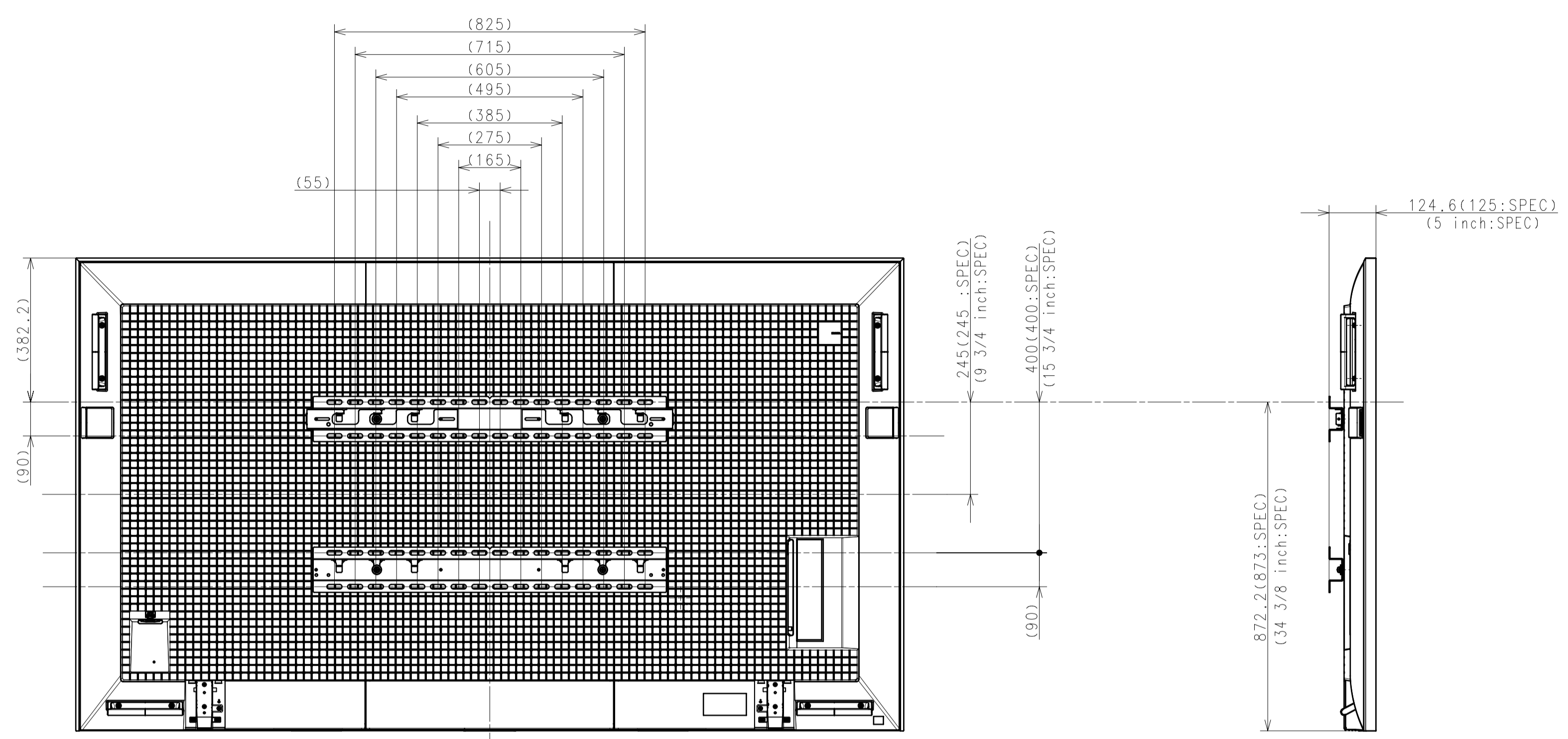
FOR EXCEPT EUROPE



FOR EUROPE

DESCRIPTION 1	98 (X90L) EXTERIOR VIEW	LEGAL OWNER	Sony Corporation	SCALE	T:1
DESCRIPTION 2	98 (X90L) EXTERIOR VIEW	PART NO.		SHEET/PAGES	2 / 3

SU-WL460 (CHINA ONLY)



DRAWING

SONY STANDARD

DESCRIPTION	LEGAL OWNER	SCALE
98 (X90L) EXTERIOR VIEW	Sony Corporation	1:1
DESCRIPTION	PART NO.	SHEET/PAGES
98 (X90L) EXTERIOR VIEW		3 / 3