

SCREEN CONFIGURATION SUMMARY

PROJECT: WP22-07710 - FRAMEPRO 4840 VAC

SCREEN: PFIxFRAMEPRORE-00572 - 4840-FRAMEPRORE-1.78-VAC

SCREEN:

PFIxFRAMEPRORE-00572

Description: 4840-FRAMEPRORE-1.78-VAC

Description 2: Overall size 5.000x2.879 mm

Screen Model: FramePro Rear Elastic

Native Aspect Ratio: 1.78 Widescreen TV (16:9)

Fabric: Vision Acoustik

Dimension Range: 4840 mm Viewing Area

OPTIONS:

Screen Finish Option: Flock Black

Horizontal profile cutting Option: Horizontal profile in 2 parts

Vertical profile cutting: Vertical profile Entire

Instructions: Adeo Screen Manual

TOTAL, EXCLUDING FREIGHT & LOCAL TAXES:

Customer:

AWE EUROPE LTD

Alexander House 3A, Blenheim Road

EPSOM

KT19 9AP

GB

Phone: [REDACTED]

Email: [REDACTED]

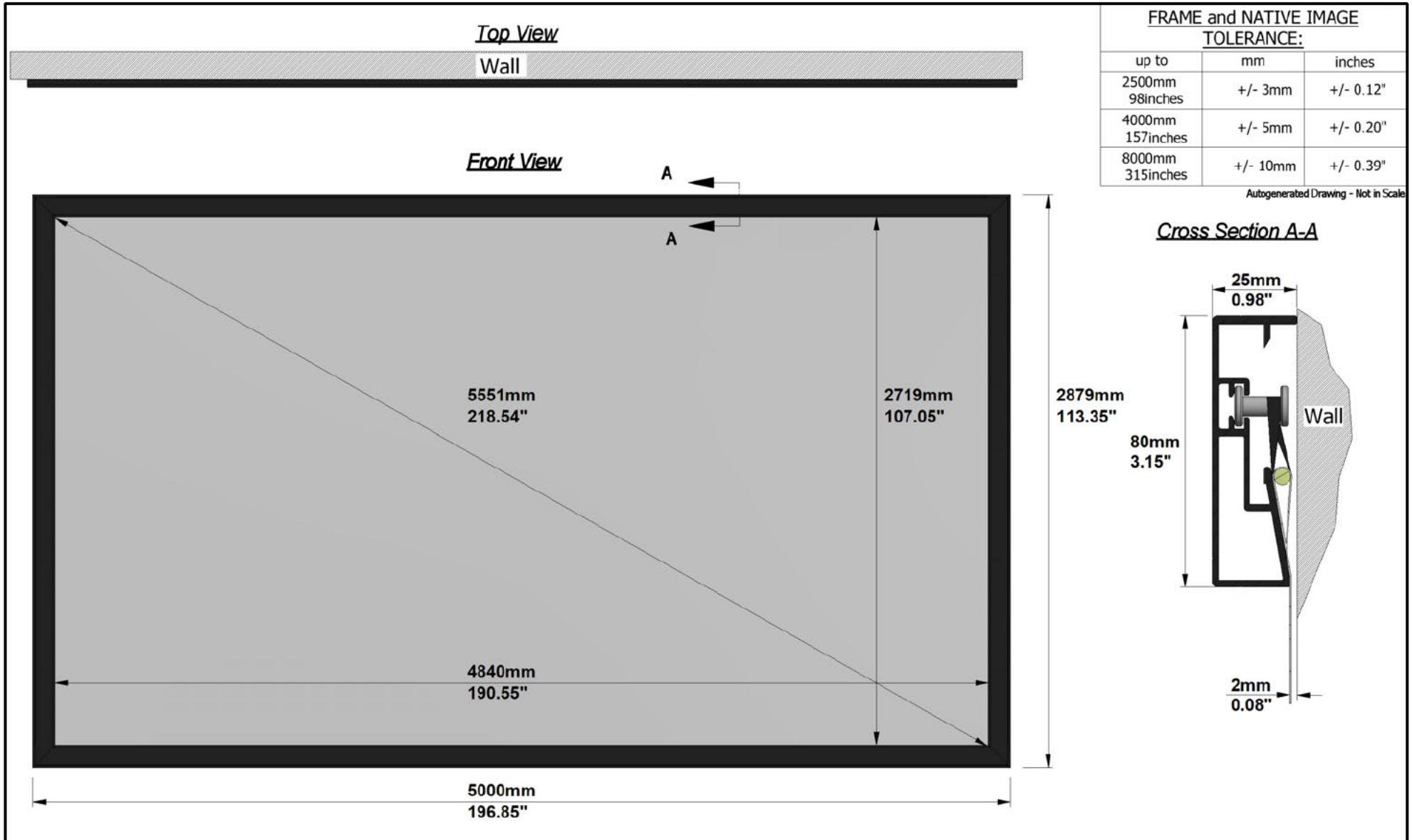
Website: www.awe-europe.com

Comments:

SCREEN CONFIGURATION SUMMARY

PROJECT: WP22-07710 - FRAMEPRO 4840 VAC

SCREEN: PFIXFRAMEPRORE-00572 - 4840-FRAMEPRORE-1.78-VAC



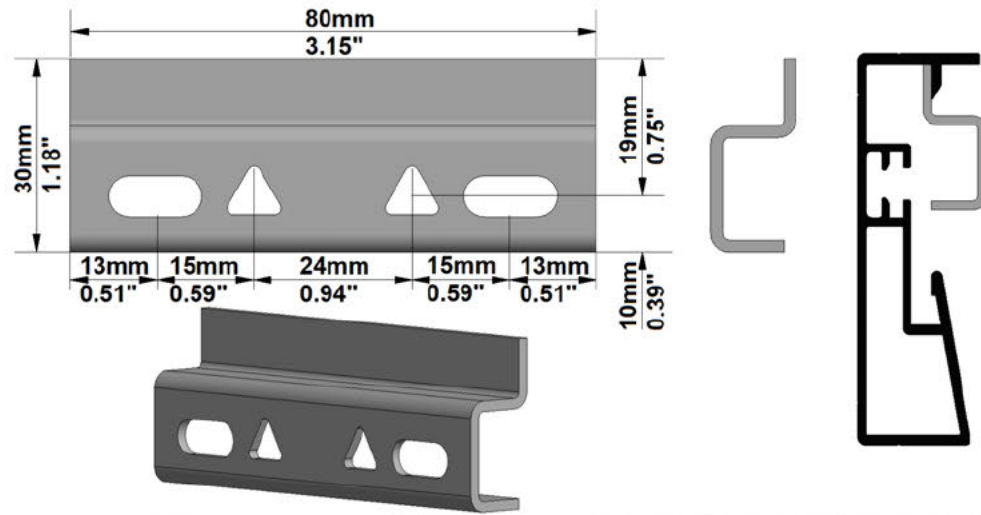
SCREEN CONFIGURATION SUMMARY

PROJECT: WP22-07710 - FRAMEPRO 4840 VAC

SCREEN: PFIxFRAMEPRORE-00572 - 4840-FRAMEPRORE-1.78-VAC

MOUNTING BRACKETS AND INSTALLATION VIEW:

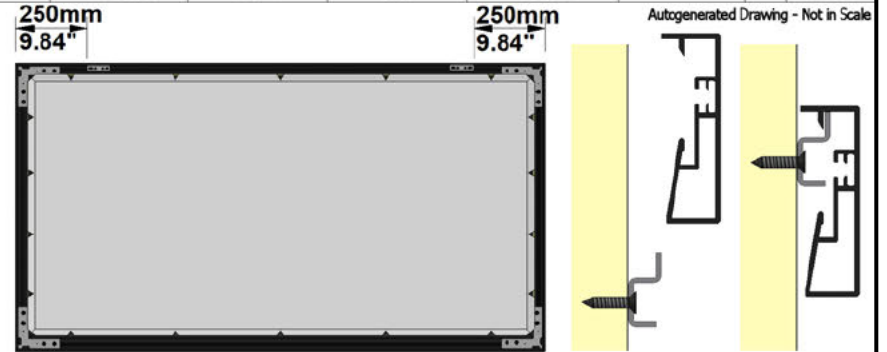
BRACKETS FOR FRAME PRO RE, RB, FB <=3000 OVERALL SCREEN



PACKAGING INFORMATION:

ESTIMATED SCREEN NET WEIGHT: 32.50Kg
71.50Lbs

SHIPPING DIMENSIONS				NUMBER OF BOXES	TOTAL SHIPPING WEIGHT
LENGTH	DEPTH	HEIGHT	PALLET HEIGHT		
mm	3219mm	150mm	180mm	1	kg 37.30
inches	126.73"	5.91"	7.09"		lbs 82.06



BRACKETS FOR FRAME PRO RE, RB, FB >3000 OVERALL SCREEN AND FRAME PRO FE <=6000 OVERALL SCREEN

