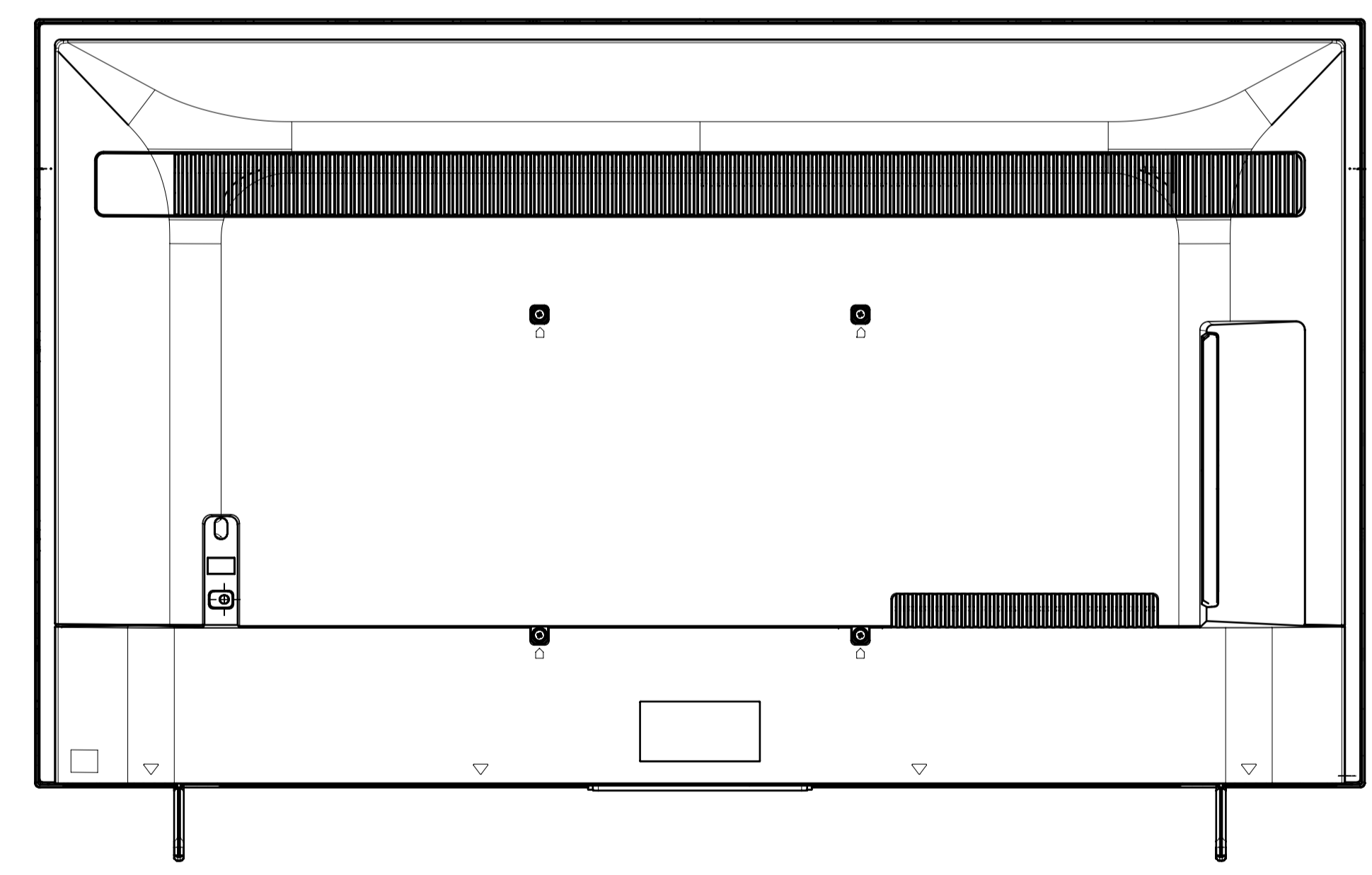
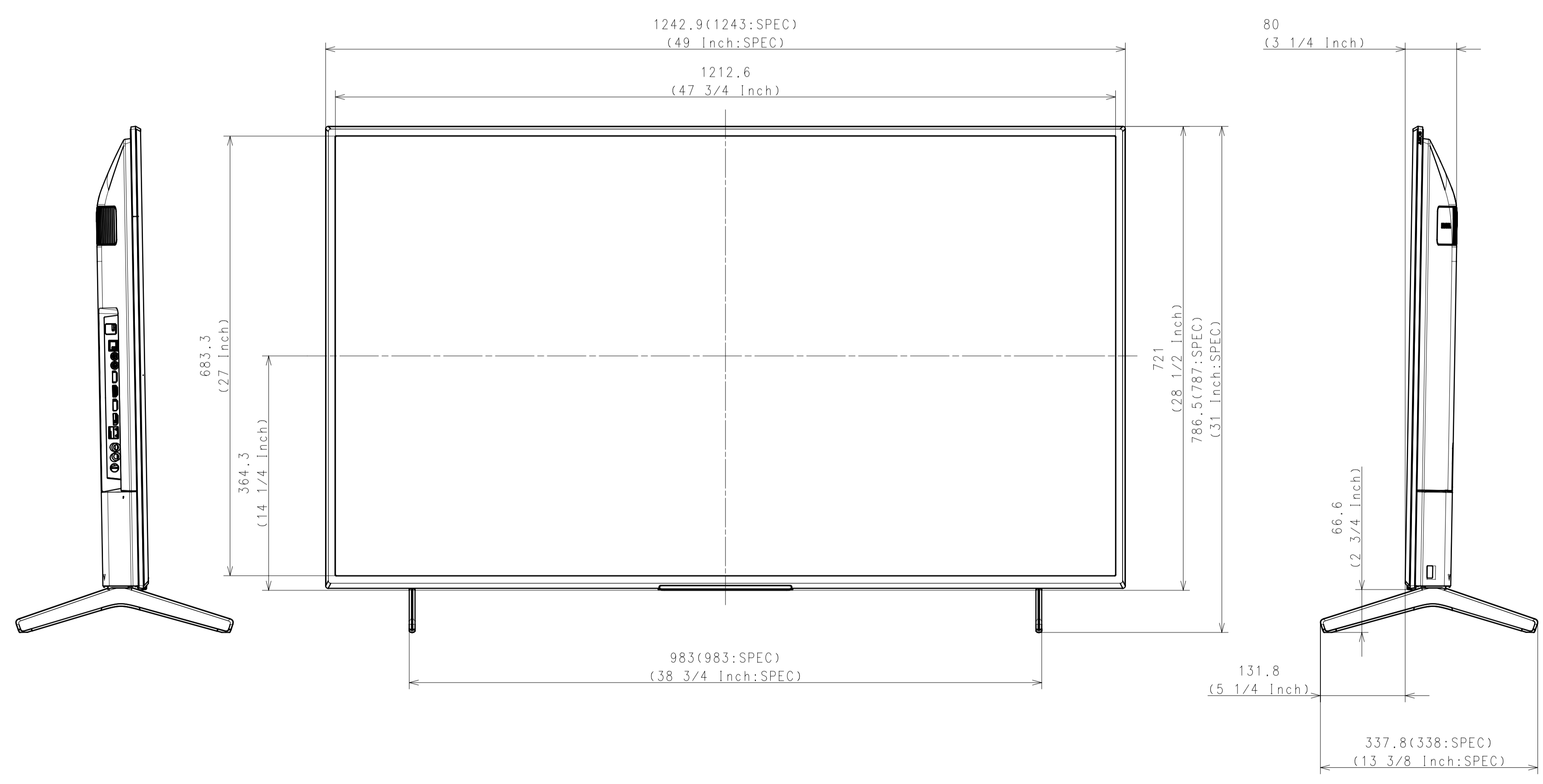
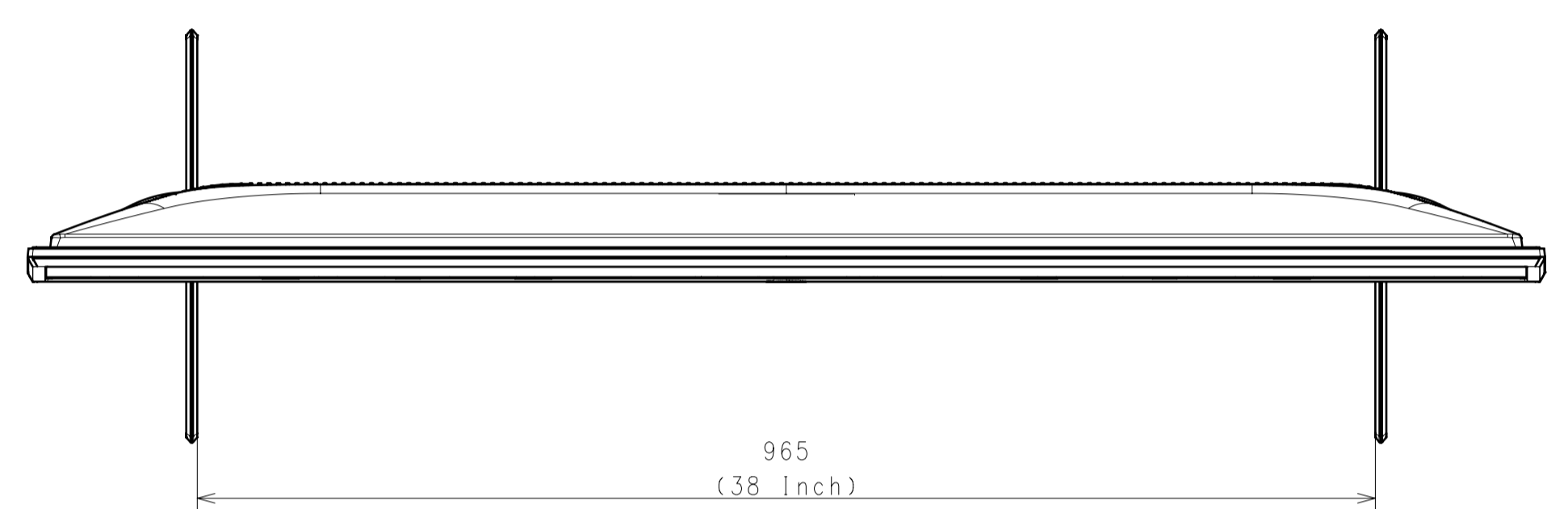


WITH STAND
STANDARD POSITION

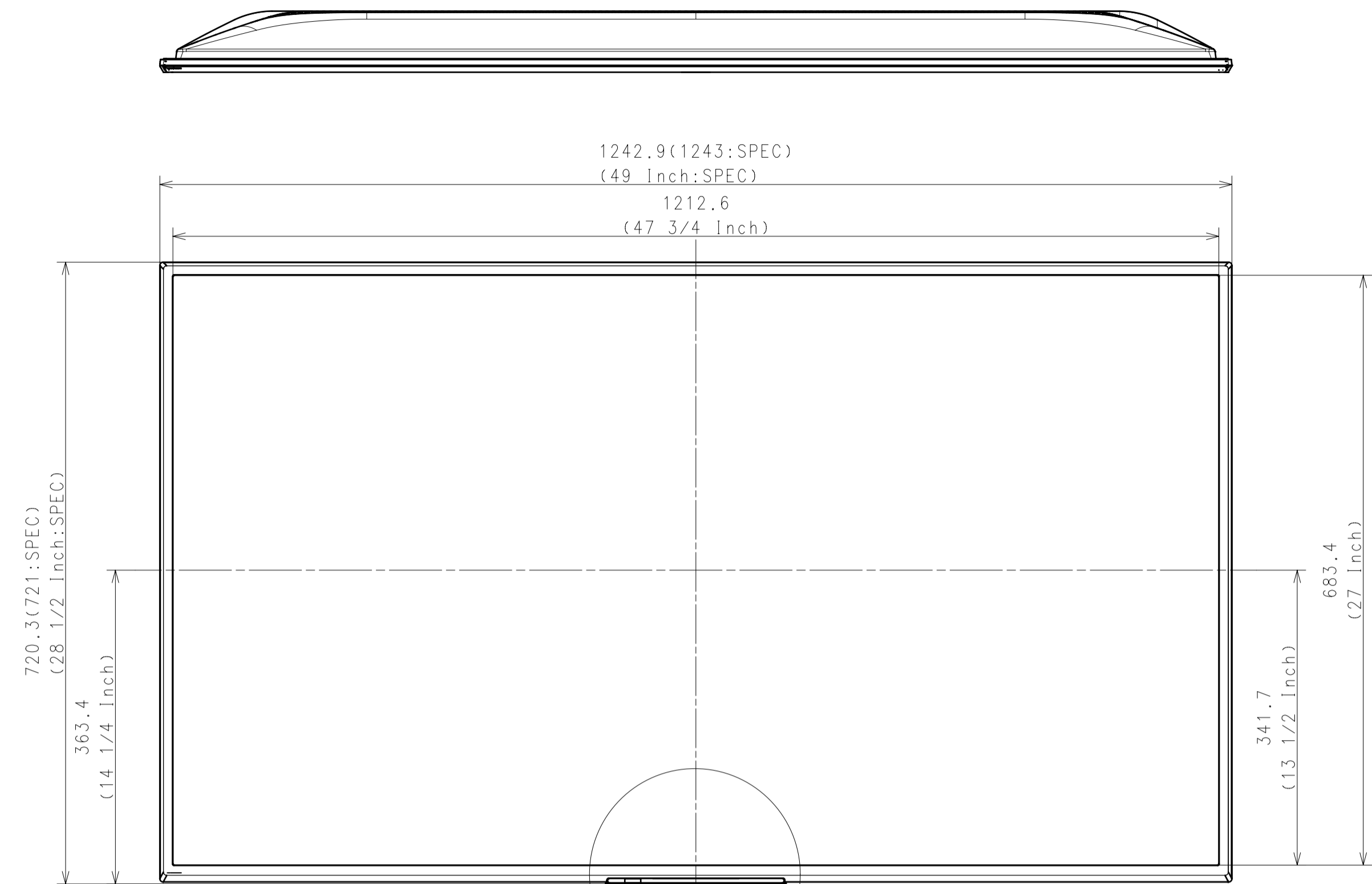


Area	JAPAN	NORTH AMERICA	EUROPE	GENERAL AREA	CHINA	
Model Name	FW-55BZ40L	FW-55BZ40L	FW-55BZ40L	FW-55BZ40L	FW-55BZ40L	
SV No.	SV-41560	SV-41414	SV-41499	SV-41500	SV-41522	
DIMENSION	TV only (W x H x D)	124.3 x 72.1 x 7.1 cm	1243 x 721 x 71 mm / 49 x 28 1/2 x 2 7/8 inch	Approx. 124.3 x 72.1 x 7.1 cm	Approx. 1243 x 721 x 71 mm	Approx. 1243 x 721 x 71 mm
	TV only with camera (W x H x D)	-	-	-	-	-
	TV with Stand (Standard position) (W x H x D)	124.3 x 78.7 x 33.8 cm	1243 x 787 x 338 mm / 49 x 31 x 13 3/8 inch	Approx. 124.3 x 78.7 x 33.8 cm	Approx. 1243 x 787 x 338 mm	Approx. 1243 x 787 x 338 mm
	TV with Stand (Narrow position) (W x H x D)	-	-	-	-	-
	TV with Stand (Soundbar position) (W x H x D)	-	-	-	-	-
	TV with Stand (Front position style) (W x H x D)	-	-	-	-	-
	TV with Stand (Back position style) (W x H x D)	-	-	-	-	-
	TV with Floor Stand (W x H x D)	-	-	-	-	-
	Stand Width (Standard position)	98.3 cm	983 mm / 38 3/4 inch	Approx. 98.3 cm	Approx. 983 mm	Approx. 983 mm
	Stand Width (Narrow position)	-	-	-	-	-
	Stand Width (Soundbar position)	-	-	-	-	-
	Stand Width (Front position style)	-	-	-	-	-
	Stand Width (Back position style)	-	-	-	-	-
	Floor Stand Width	-	-	-	-	-
VESA Hole Pitch	30.0 x 30.0 cm	300 x 300 mm / 11 7/8 x 11 7/8 inch	30.0 x 30.0 cm	300 x 300 mm	300 x 300 mm	
WEIGHT	TV Only	15.8 kg	15.8 kg / 34.9 lb	Approx. 15.8 kg	Approx. 15.8 kg	Approx. 15.8 kg
	TV with Stand (Standard position)	16.7 kg	16.7 kg / 36.8 lb	Approx. 16.7 kg	Approx. 16.7 kg	Approx. 16.7 kg
	TV with Stand (Narrow position)	-	-	-	-	-
	TV with Stand (Soundbar position)	-	-	-	-	-
	TV with Stand (Front/Back position style)	-	-	-	-	-
	TV with Floor Stand	-	-	-	-	-
	Floor Stand weight (Supply)	-	-	-	-	-
W-M't Br. Weight (Supply)	-	-	-	-	-	
Remarks		Optional stand	Optional stand			

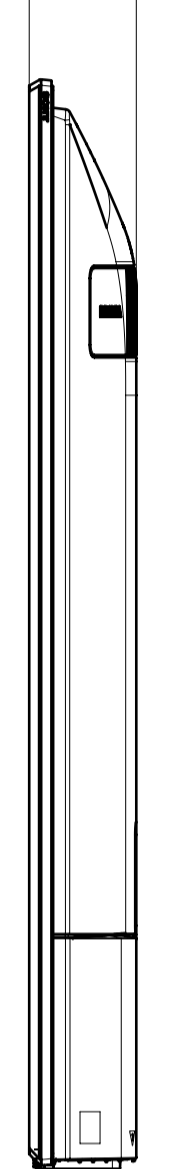
Purchase recycled resins and wire rods only from the business partners that Sony approves as Green Partners.
再生樹脂・電線鋼線はグリーンパートナー認定品から調達すること。

GENERAL TOLERANCE 2023.01.04 DOCUMENT TYPE ASSEMBLY DRAWING TELEGRAPHIC JIS B 0041(ISO 8015)		DATE OF ISSUE 2023.01.04 DOCUMENT TYPE ASSEMBLY DRAWING TELEGRAPHIC JIS B 0041(ISO 8015)
HISTORY X COUNT DIFFX /REFL. RELEASE NO. /DATE REVISION SIGN.		MATERIAL COLOR FINISH COLOR
Sony Corporation RESPONSIBLE DEPARTMENT PANEL & MECHANICAL DESIGN PLANNED BY 2023.01.04 DRAWN BY 2023.01.04 CHECKED BY APPROVED BY SCALE 1:5 ORIGINAL MODEL TENTATIVE MODEL 55(BZ40L) EXTERIOR VIEW TENTATIVE PART NO. PART NO. SHEET/PAGES 1/4		

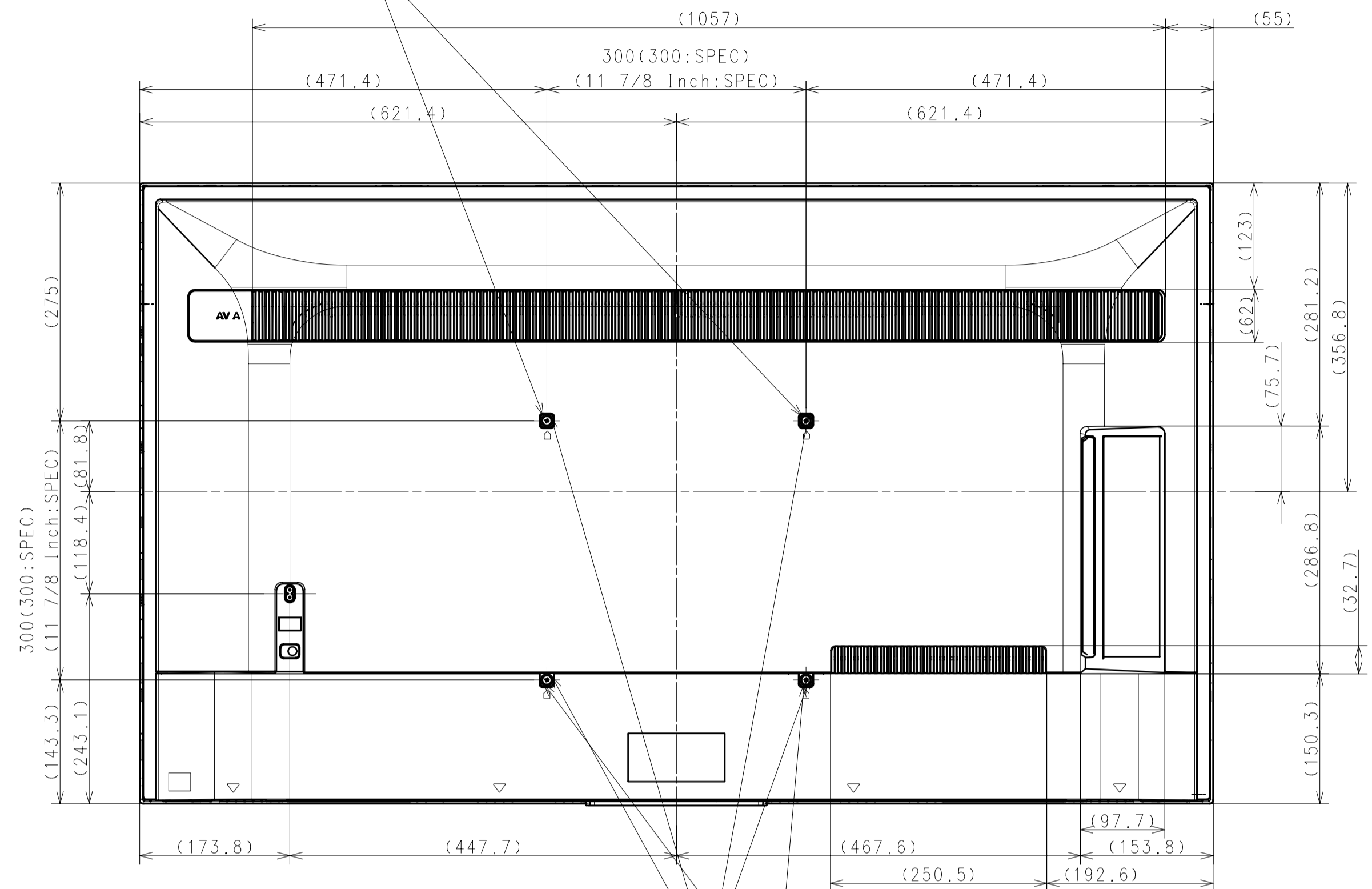
WITHOUT STAND



70.8(71:SPEC)
(2 7/8 Inch:SPEC)



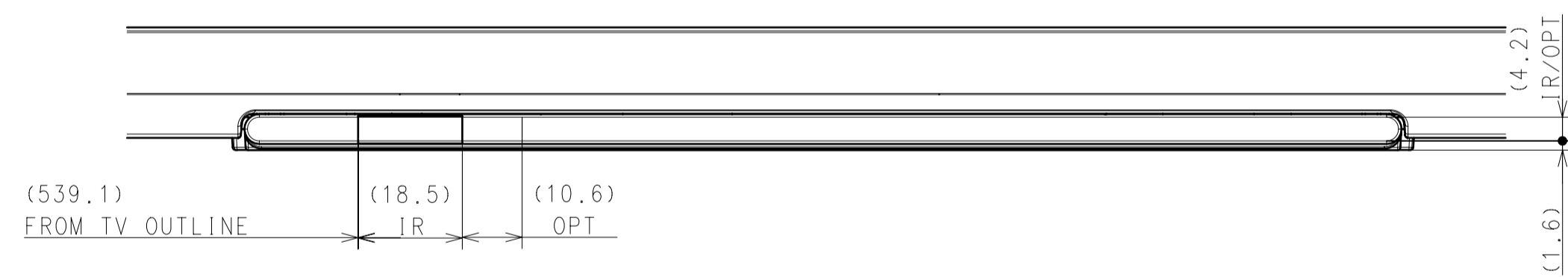
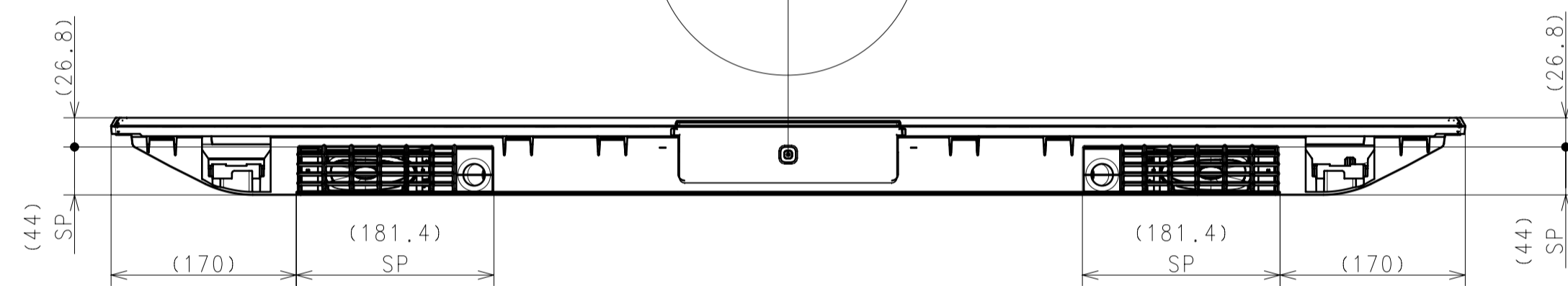
M6 holes for securing hardware (Rope or chain)



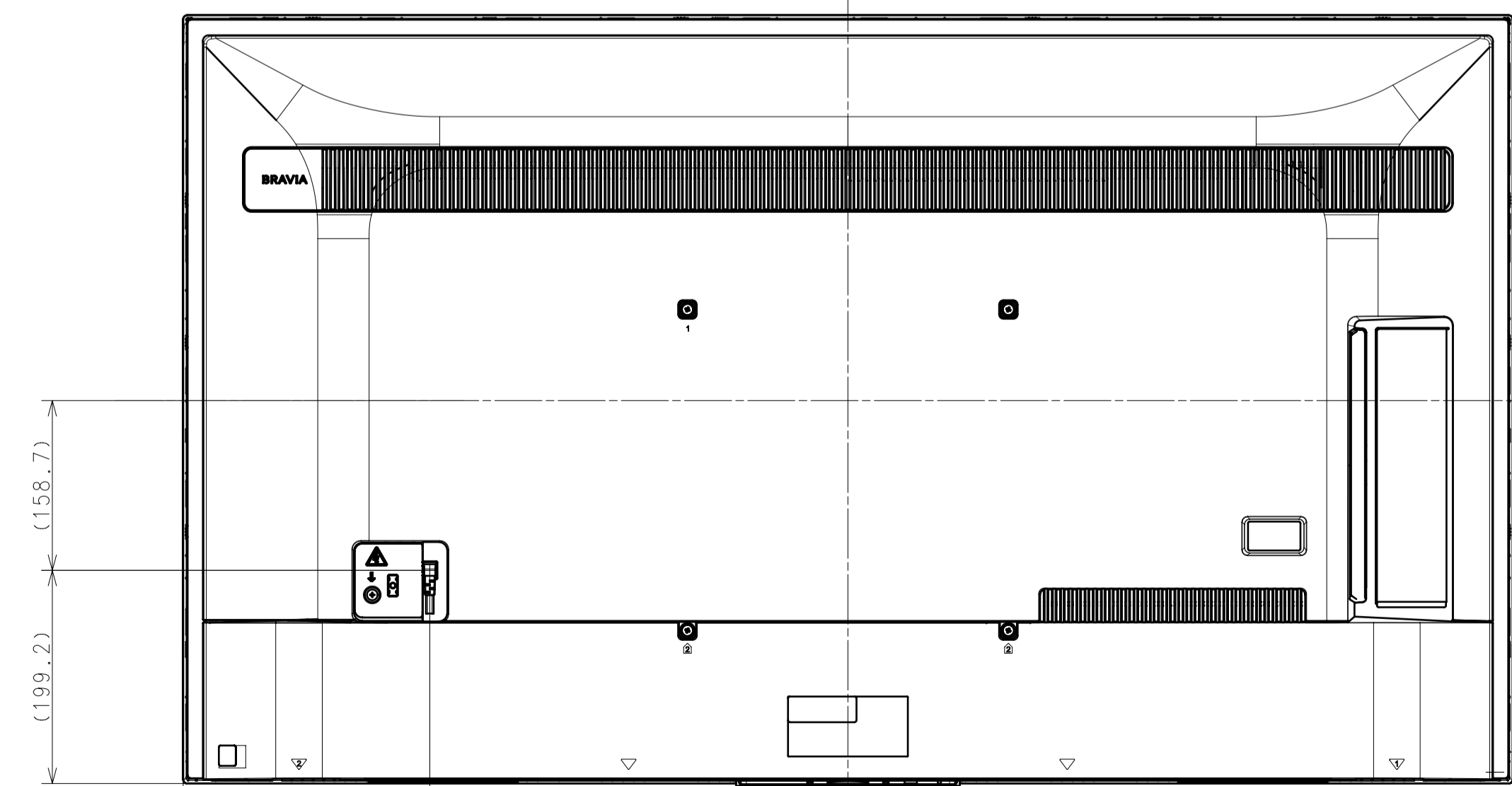
M6 HOLES FOR WALL MOUNT BRACKET
*REFER TO INSTRUCTION MANUAL
FOR SCREW LENGTH INFORMATION

M6 holes for securing hardware (Belt)

For. NORTH AMERICA, GENERAL AREA, CHINA, EUROPE



A
1:1



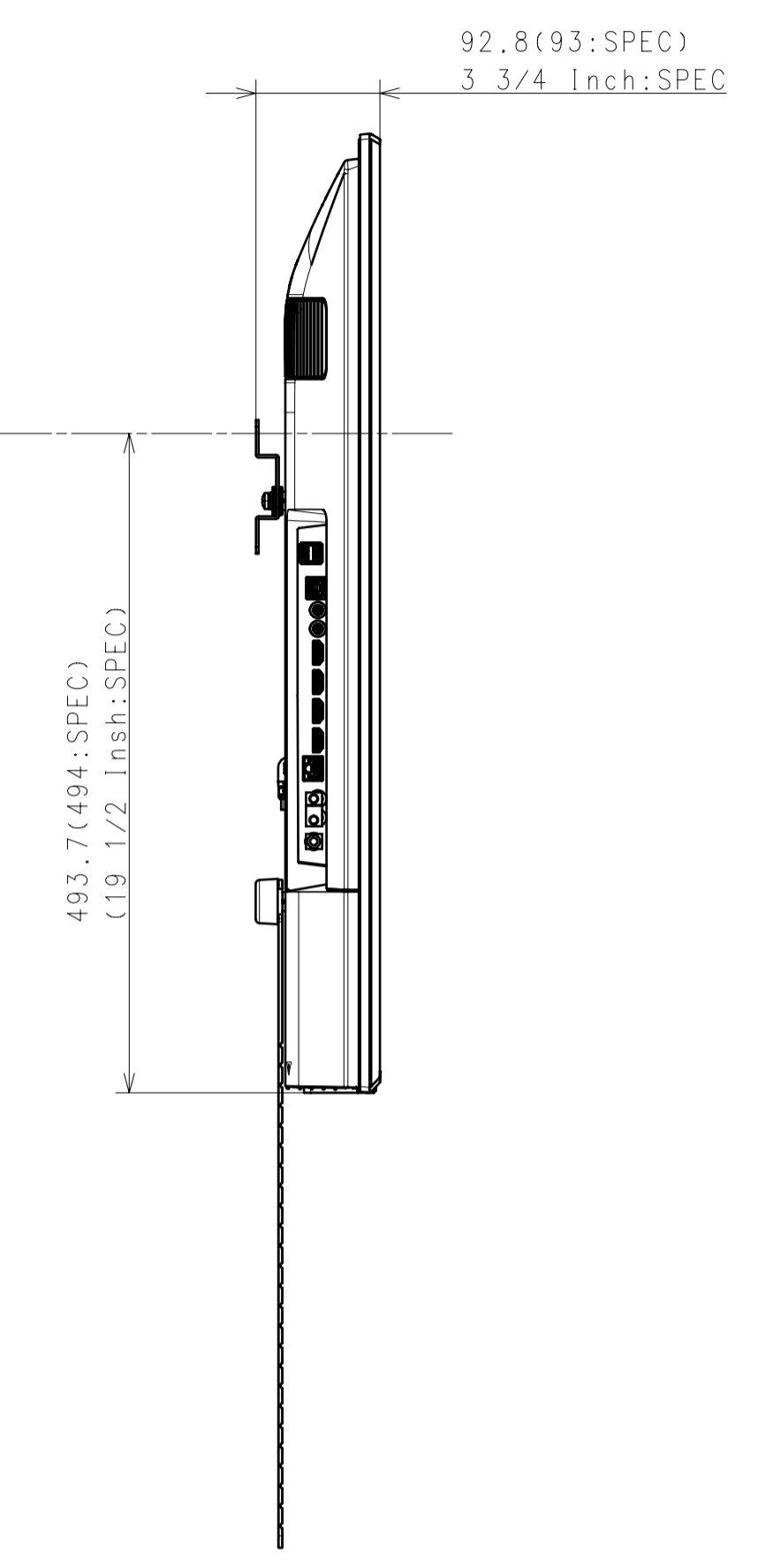
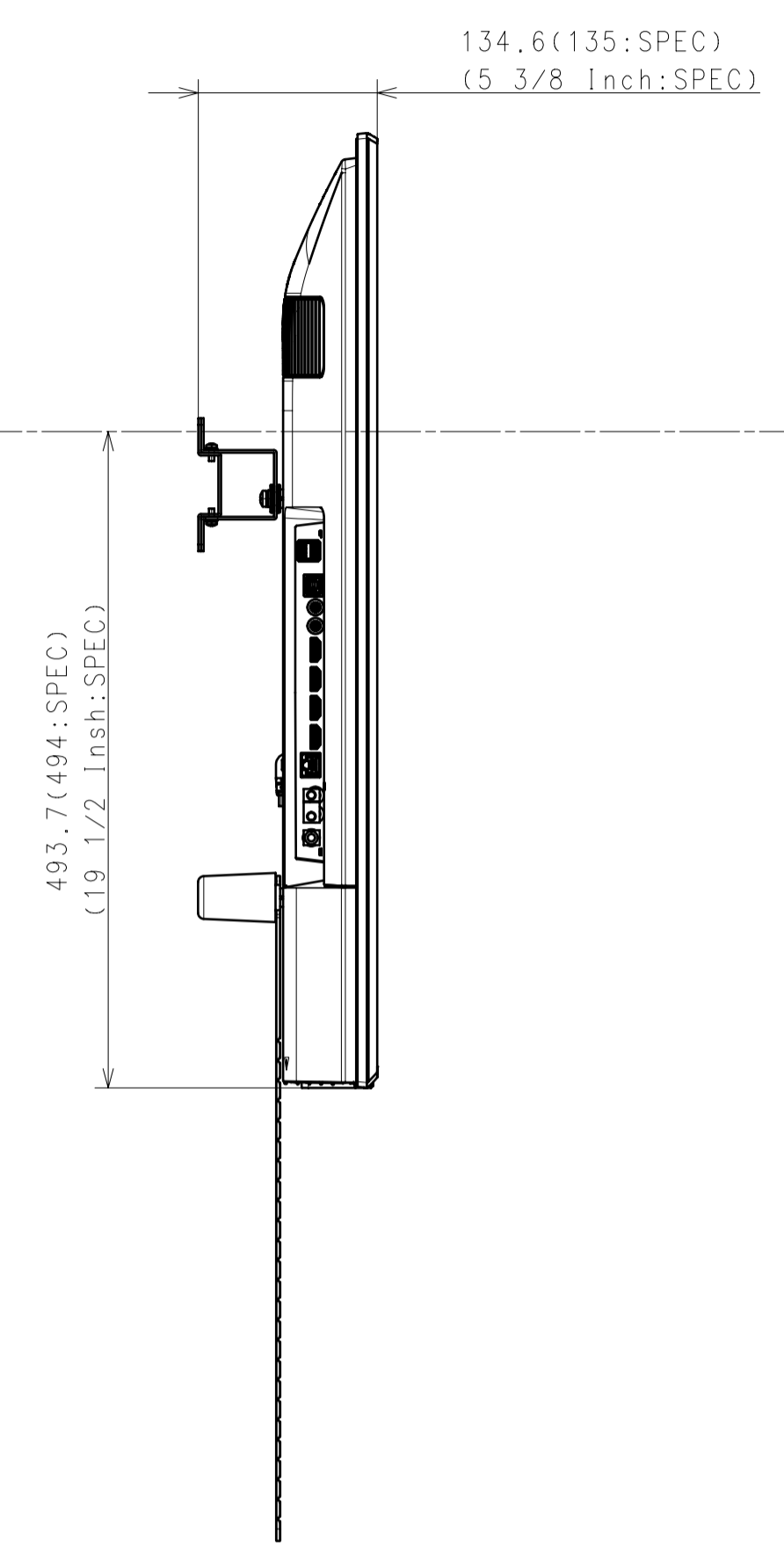
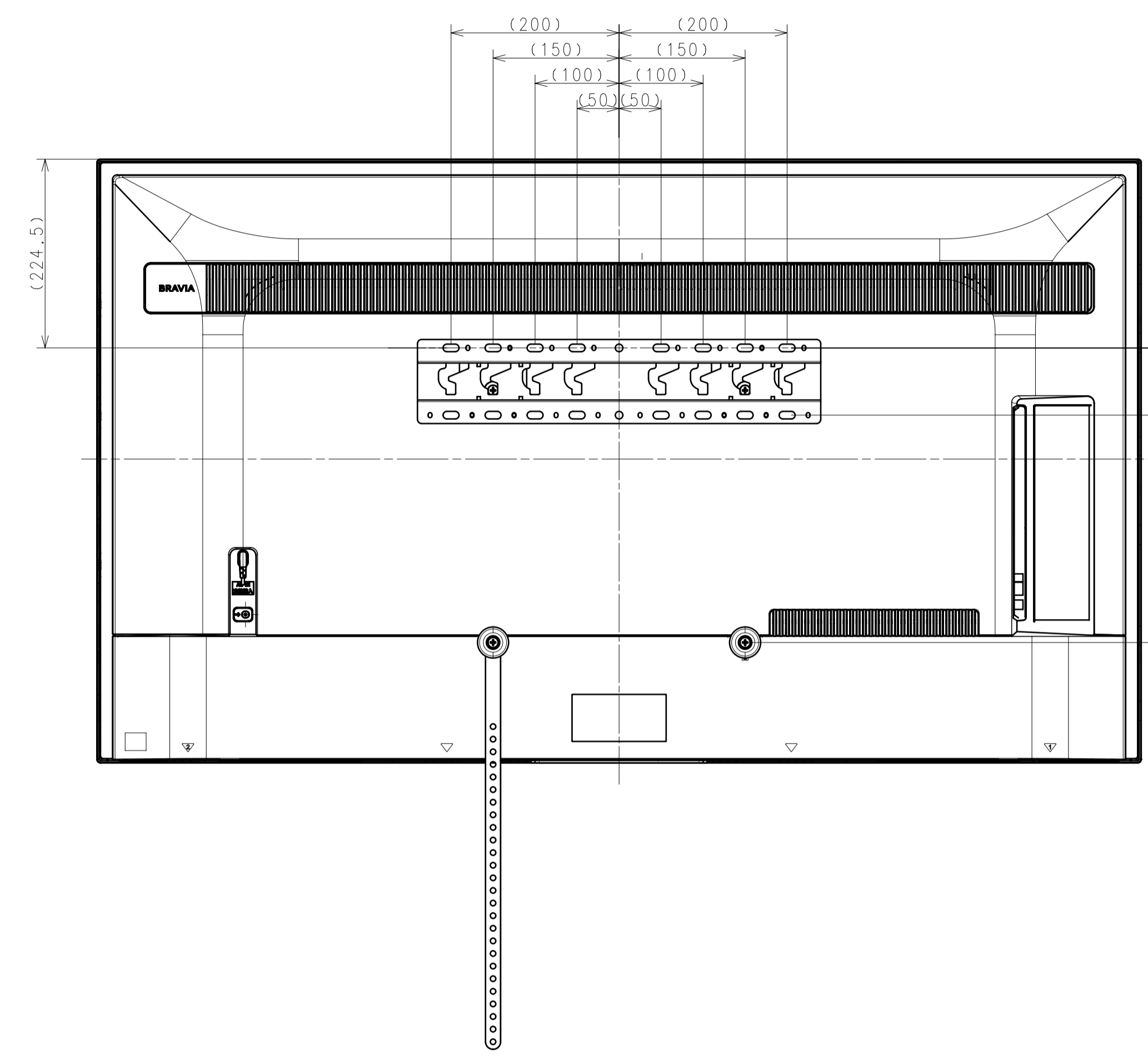
For. JAPAN

DESCRIPTION1 55(BZ40L) EXTERIOR VIEW	SCALE 1:5
DESCRIPTION2 55(BZ40L) EXTERIOR VIEW	SHEET/PAGES 2 / 4
EQUAL VIEW Sony Corporation	PART NO.
TENTATIVE PART NO.	PART NO.

SU-WL450

STANDARD

SLIM

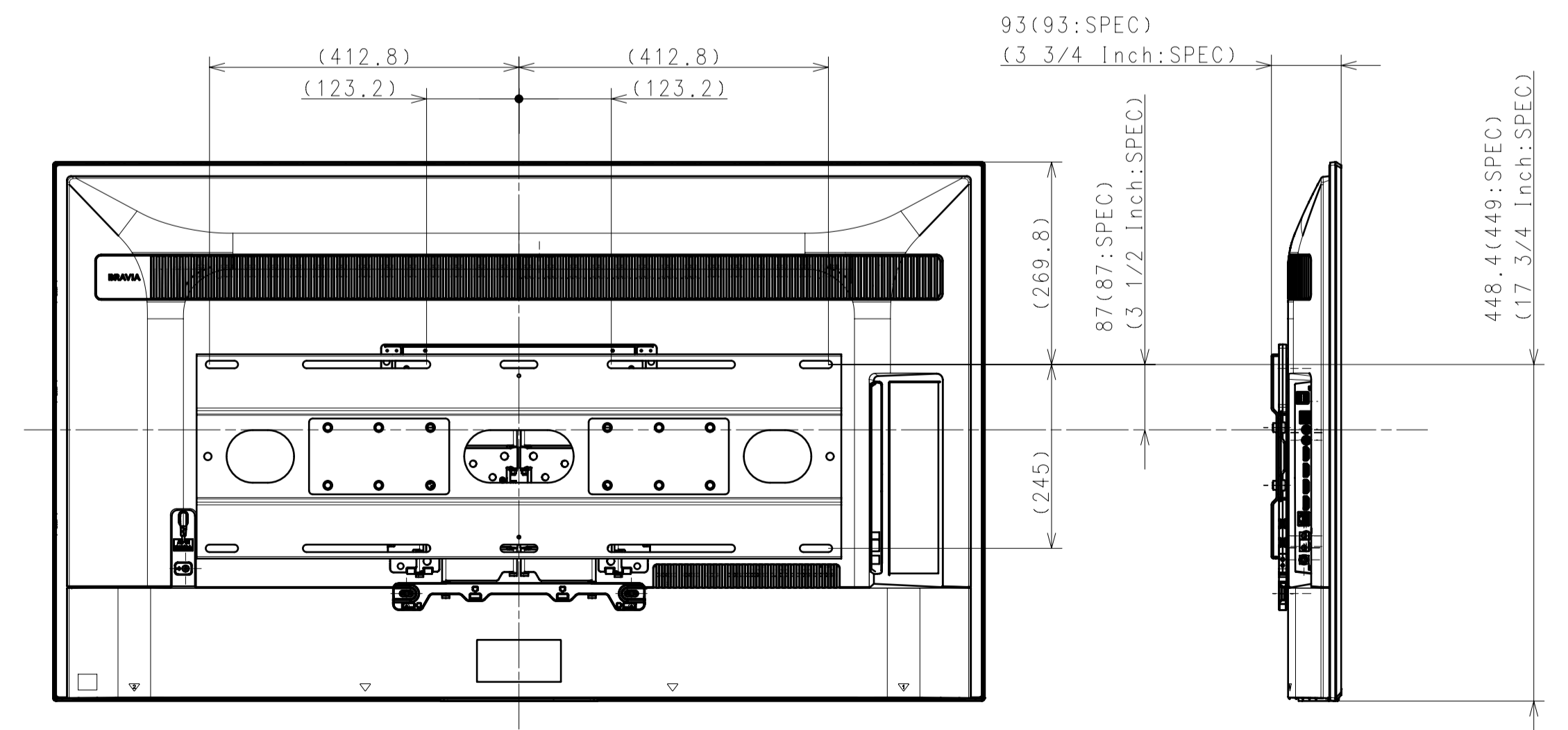
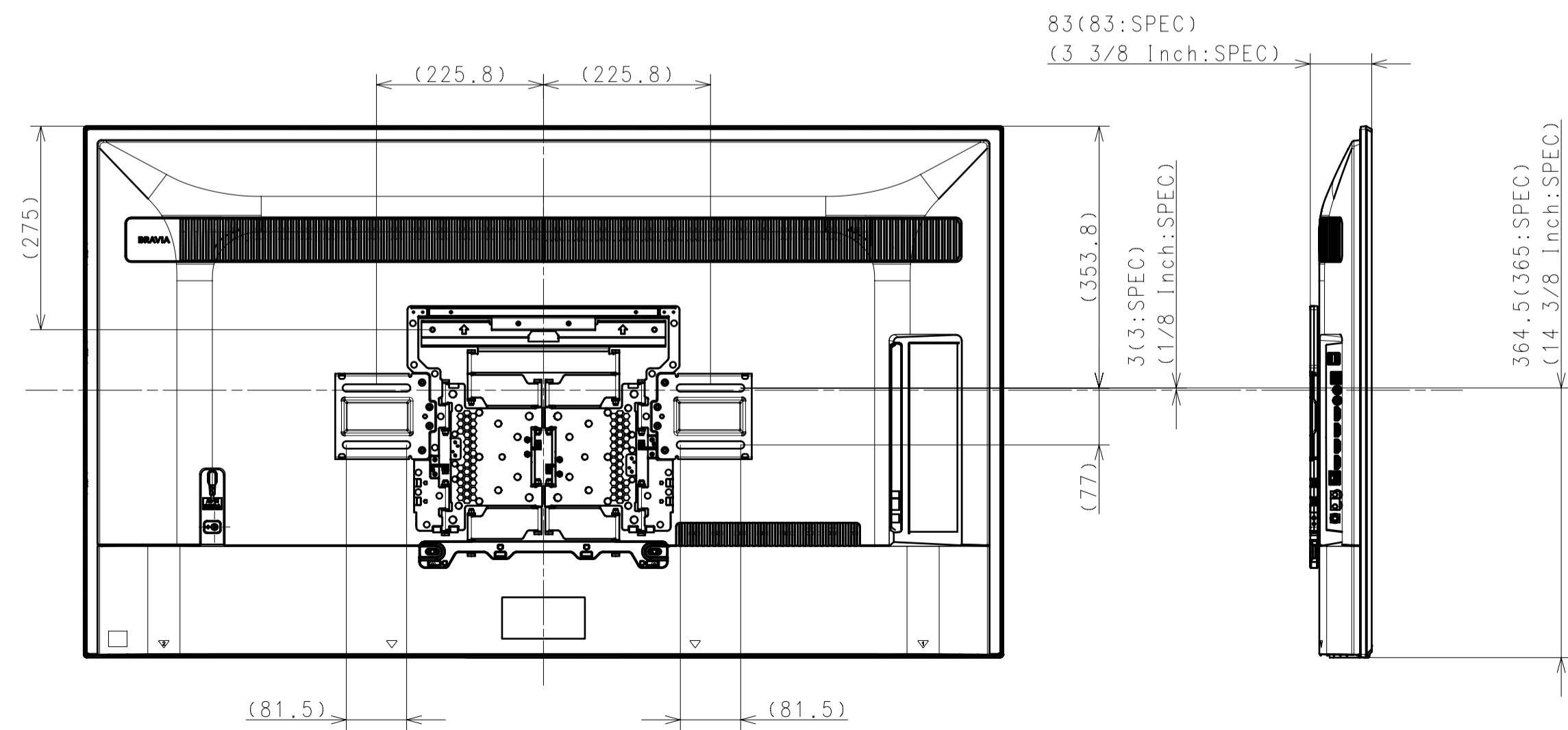
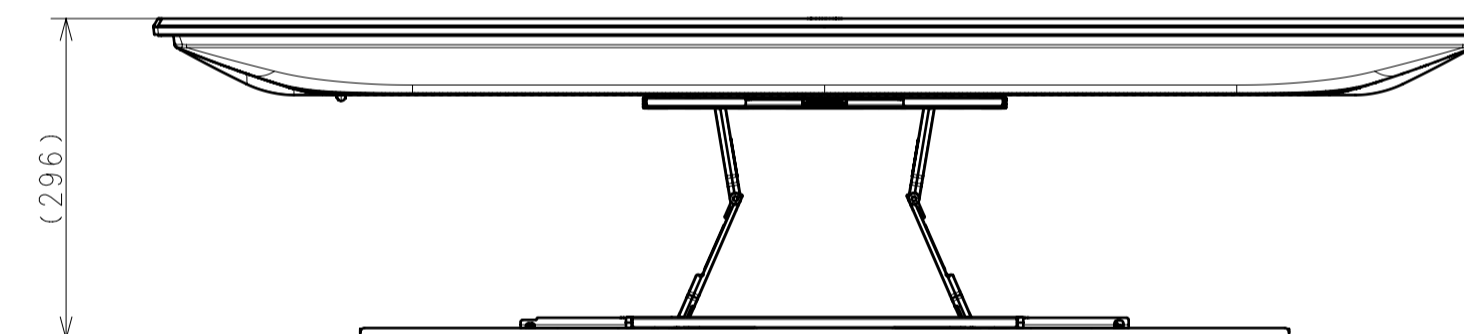
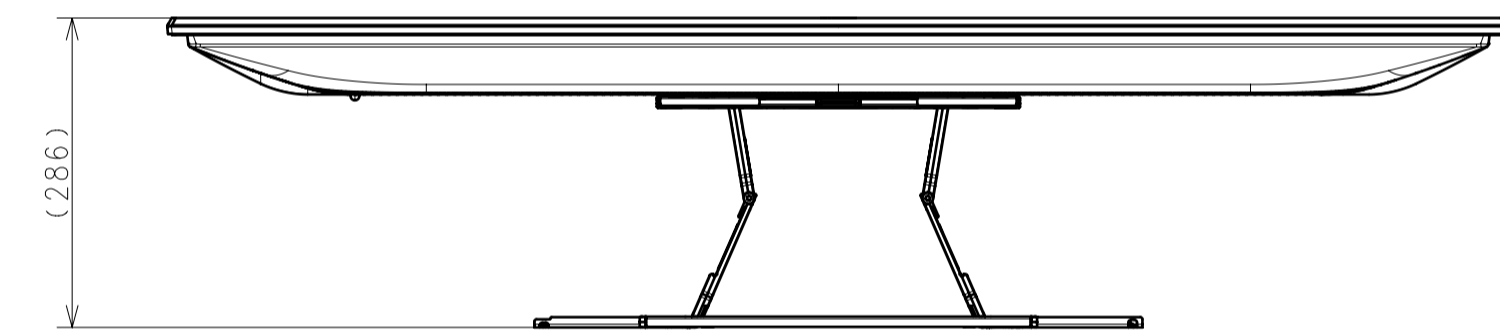
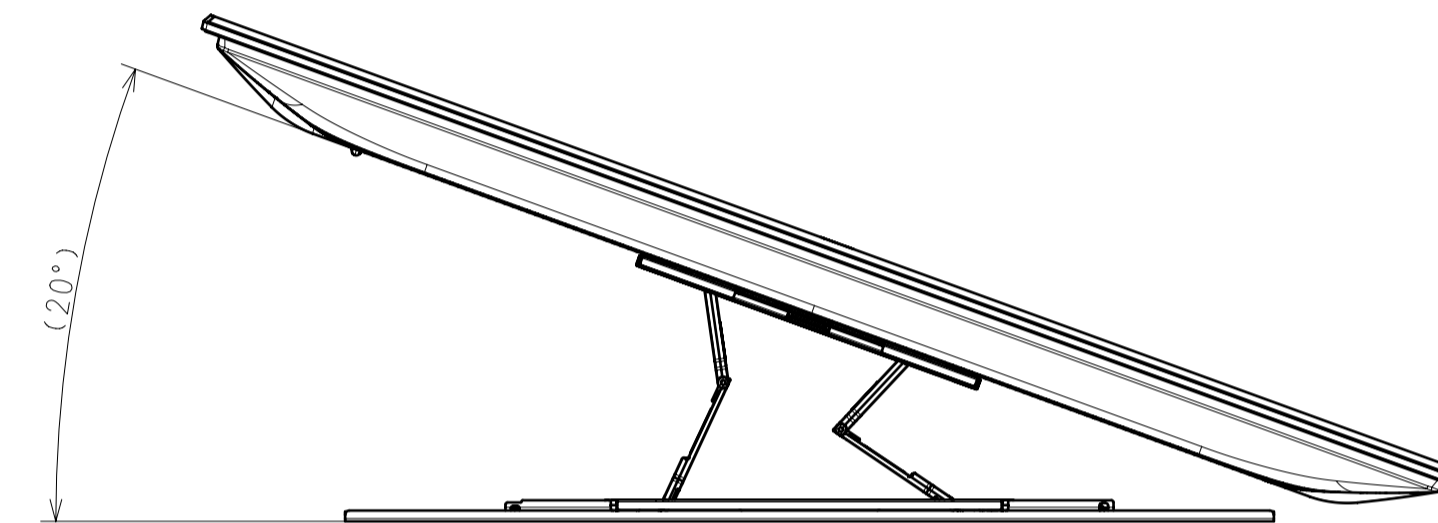
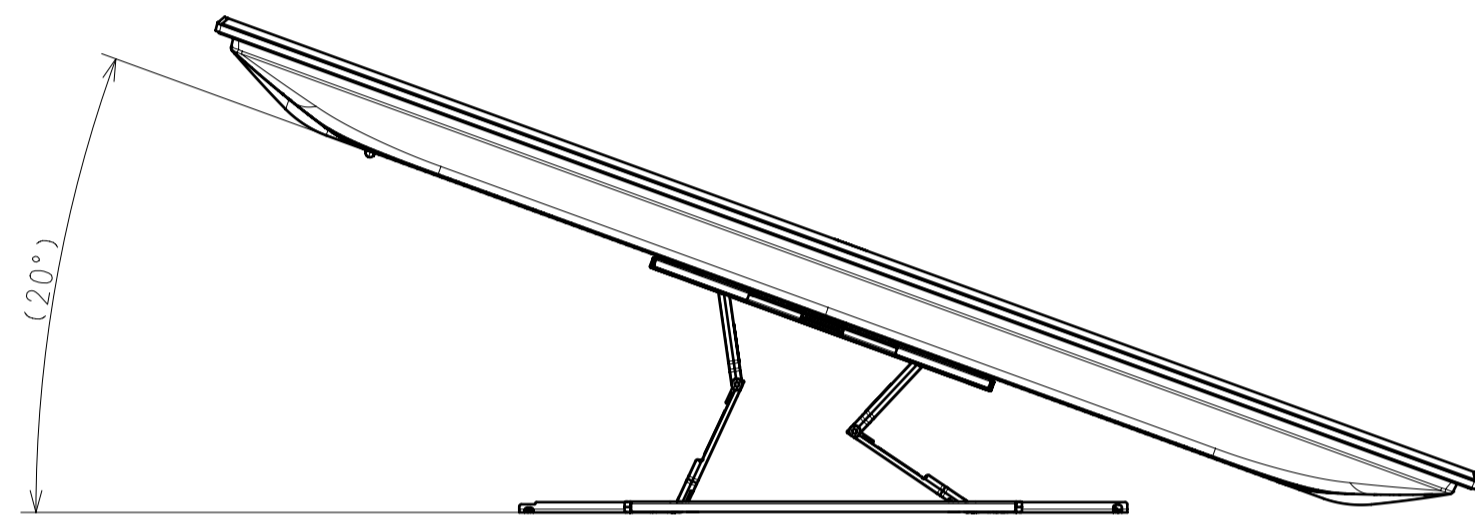
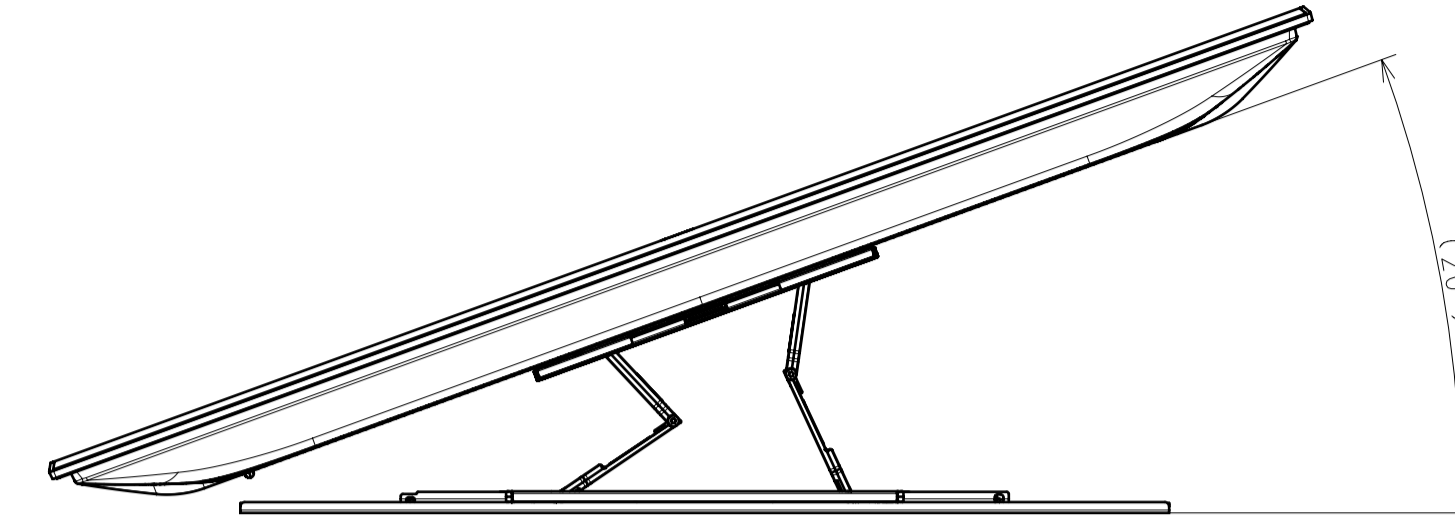
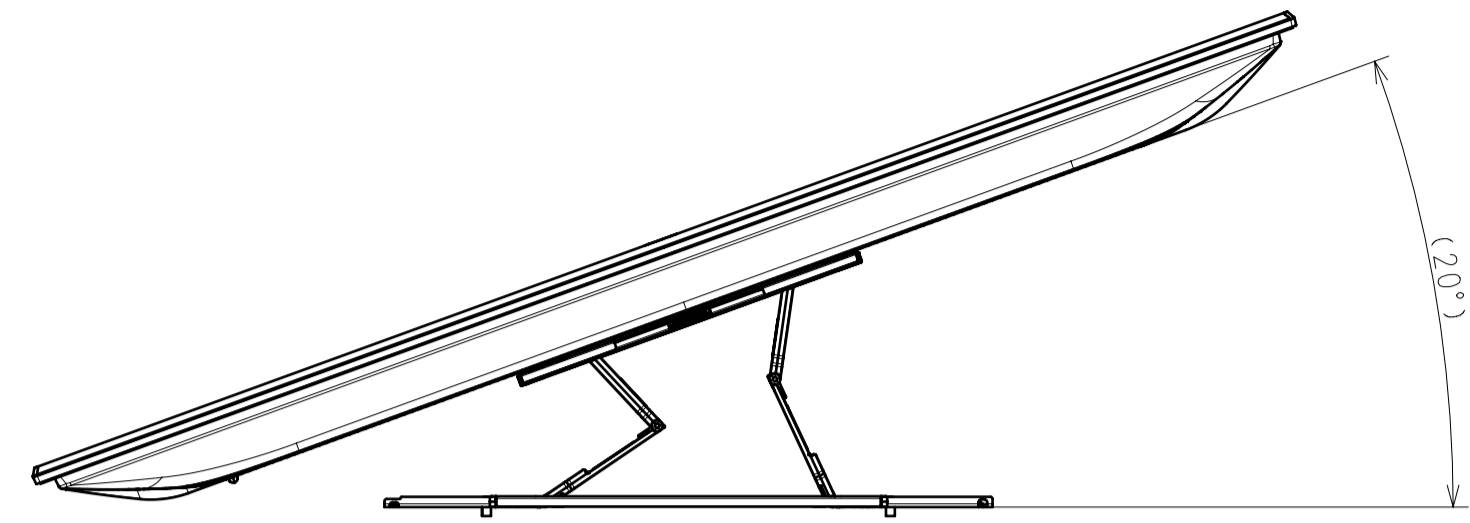


SONY STANDARD

DESCRIPTION 1	LEGAL OWNER	SCALE
55(BZ40L) EXTERIOR VIEW	Sony Corporation	1:5
DESCRIPTION 2	PART NO.	SHEET/PAGES
55(BZ40L) EXTERIOR VIEW		3 / 4

SU-WL 850

SU-WL 855 WITH LATERAL SHAFT BRACKET



DESCRIPTION 1	55(BZ40L) EXTERIOR VIEW	LEGAL OWNER	Sony Corporation	SCALE	1:7
DESCRIPTION 2	55(BZ40L) EXTERIOR VIEW	PART NO.		SHEET/PAGES	4 / 4