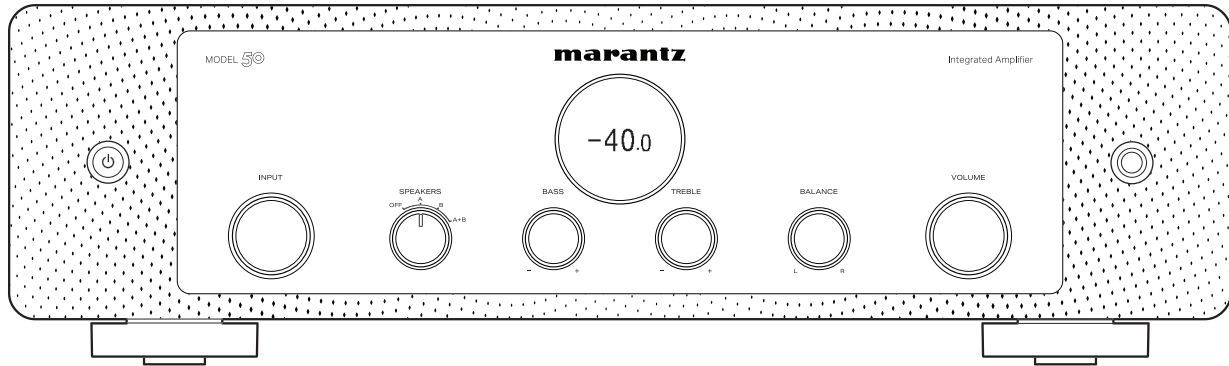


marantz



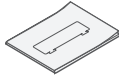
MODEL 50 | Integrated Amplifier

QUICK START GUIDE

Before you begin

What's in the box

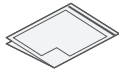
Quick Start Guide



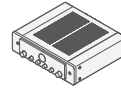
Safety instructions



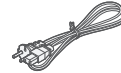
Cautions on using
batteries



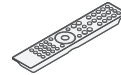
Amplifier



Power cord



Remote control
(RC003PMND)

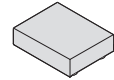


2× R03/AAA batteries



Required for setup

Source device
(e.g. CD player,
Network audio player,
Turntable, Tuner)



Speakers



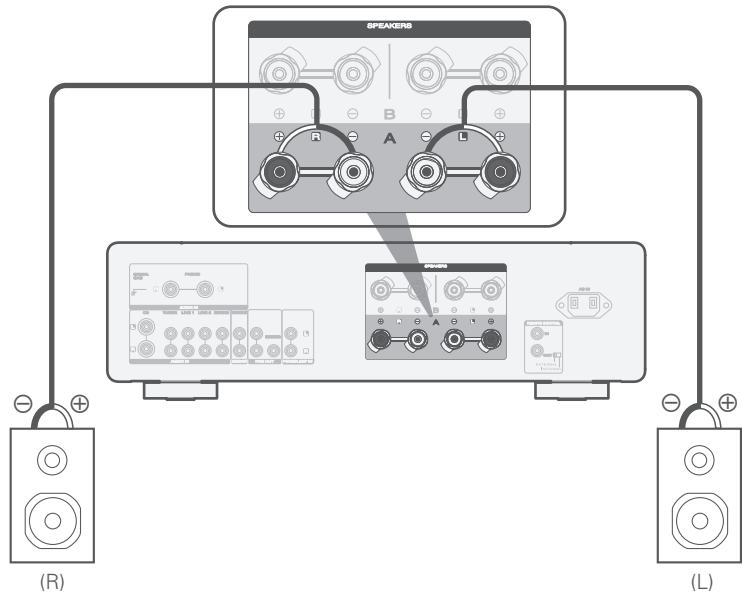
Speaker cables



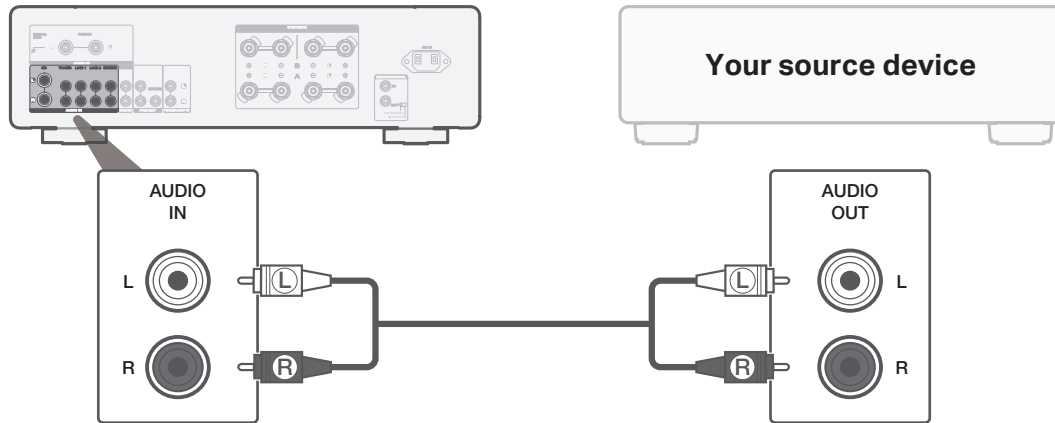
Setup

1 Connect the speakers to MODEL 50

Connect your speaker cables between the MODEL 50 and your speakers.



2 Connect your source device

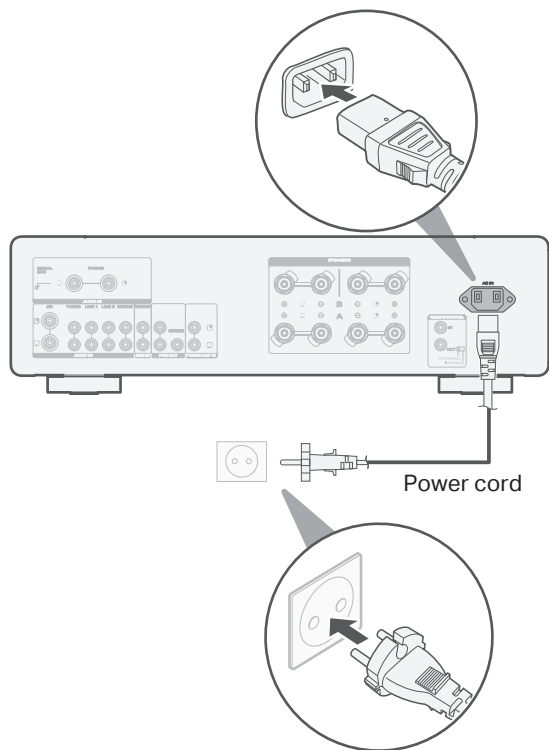


- For details, see the online owner's manual.
manuals.marantz.com/MODEL50/EU/EN/

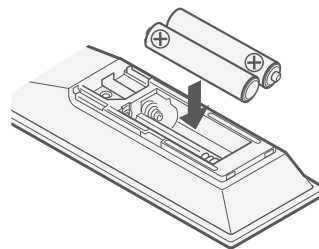
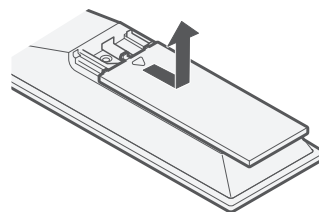


3 Connect to power

Connect the power cable between the MODEL 50 and a wall outlet.



4 Install batteries in the remote control



- Batteries can be taken out in reversed order.

5 Begin source playback

- 1 Press the power operation button.



- 2 Set the input source to the desired source device (e.g. CD player, Network audio player, Turntable, Tuner).



- 3 Ensure source device is connected to power and play content.

- 4 Adjust the volume.



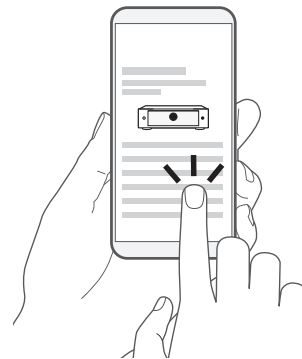
Owner's manual

Refer to the online manual for other functions, information and operation procedure details.

manuals.marantz.com/MODEL50/EU/EN/



Online manual





marantz