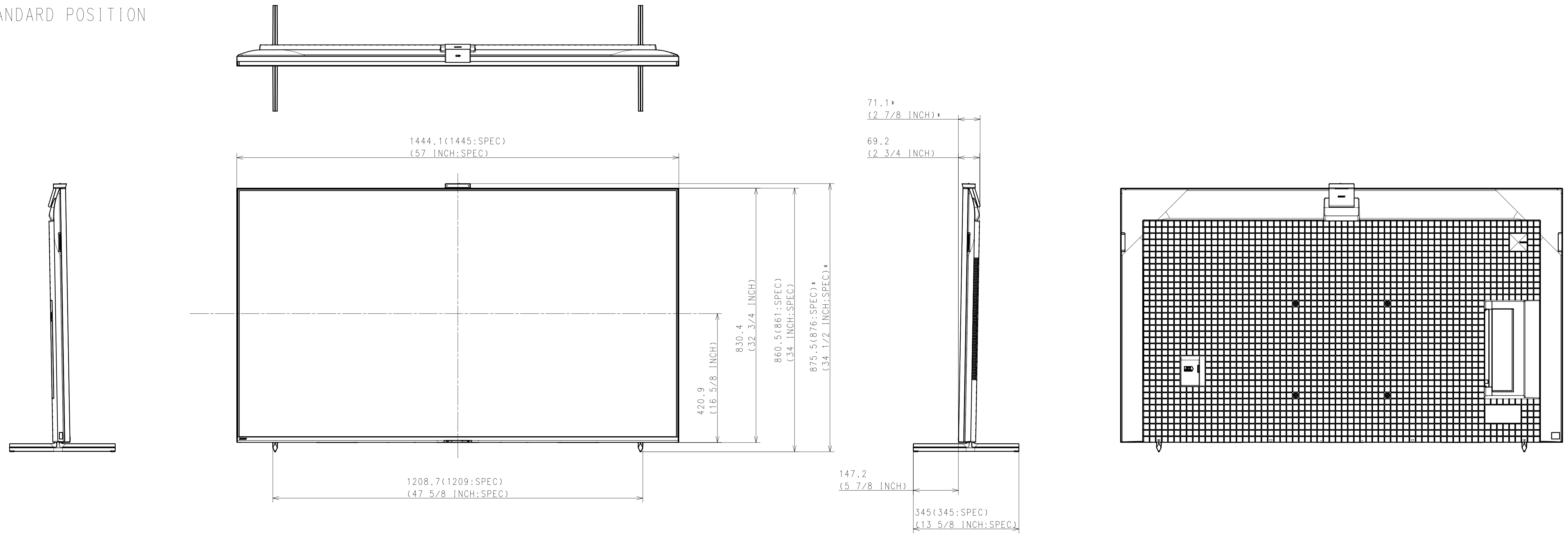


Area		JAPAN	NORTH AMERICA	LATIN AMERICA	EUROPE	GENERAL AREA	CHINA	CHINA DERIVATIVE
Model Name		XRJ-65X90L	XR-65X90L	XR-65X90L	XR-65X90L	XR-65X90L	XR-65X90L	XR-65X91L
SV No.		SV-41325	SV-41070	SV-41103	SV-41290	SV-41132	SV-41247	SV-41249
DIMENSION	TV only (W x H x D) Δ	144.5 x 83.1 x 5.7 (4.06) cm	1445 x 831 x 57 (40.6) mm / 57 x 32 3/4 x 2 1/4 (1 5/8) inch	1445 x 831 x 57 (40.6) mm	Approx. 144.5 x 83.1 x 5.7 (4.06) cm	Approx. 1445 x 831 x 57 (40.6) mm	Approx. 1445 x 831 x 57 (40.6) mm	Approx. 1445 x 831 x 57 (40.6) mm
	TV only with camera (W x H x D)	-	-	-	-	-	-	Approx. 1445 x 846 x 61 (43.1) mm
	TV with Stand (Standard position) (W x H x D)	144.5 x 86.1 x 34.5 cm	1445 x 861 x 345 mm / 57 x 34 x 13 5/8 inch	1445 x 861 x 345 mm	Approx. 144.5 x 86.1 x 34.5 cm	Approx. 1445 x 861 x 345 mm	Approx. 1445 x 861 x 345 mm	Approx. 1445 x 876 x 345 mm
	TV with Stand (Narrow position) (W x H x D)	-	-	-	Approx. 144.5 x 86.1 x 34.5 cm	-	-	-
	TV with Stand (Soundbar position) (W x H x D)	144.5 x 90.1 x 34.5 cm	1445 x 901 x 345 mm / 57 x 35 1/2 x 13 5/8 inch	1445 x 901 x 345 mm	Approx. 144.5 x 90.1 x 34.5 cm	Approx. 1445 x 901 x 345 mm	Approx. 1445 x 901 x 345 mm	Approx. 1445 x 916 x 345 mm
	TV with Stand (Front position style) (W x H x D)	-	-	-	-	-	-	-
	TV with Stand (Back position style) (W x H x D)	-	-	-	-	-	-	-
	TV with Floor Stand (W x H x D)	-	-	-	-	-	-	-
	Stand Width (Standard position)	120.9 cm	1209 mm / 47 5/8 inch	1209 mm	Approx. 120.9 cm	Approx. 1209 mm	Approx. 1209 mm	Approx. 1209 mm
	Stand Width (Narrow position)	-	-	-	Approx. 47.2 cm	-	-	-
	Stand Width (Soundbar position)	120.9 cm	1209 mm / 47 5/8 inch	1209 mm	Approx. 120.9 cm	Approx. 1209 mm	Approx. 1209 mm	Approx. 1209 mm
	Stand Width (Front position style)	-	-	-	-	-	-	-
	Stand Width (Back position style)	-	-	-	-	-	-	-
	Floor Stand Width	-	-	-	-	-	-	-
	VESA Hole Pitch	30.0 x 30.0 cm	300 x 300 mm / 11 7/8 x 11 7/8 inch	300 x 300 mm	30.0 x 30.0 cm	300 x 300 mm	300 x 300 mm	300 x 300 mm
WEIGHT	TV Only	24.2 kg	24.2 kg / 53.4 lb	24.2 kg	Approx. 24.2 kg	Approx. 24.2 kg	Approx. 24.2 kg	Approx. 24.2 kg
	TV with Stand (Standard position)	25 kg	25 kg / 55.1 lb	25 kg	Approx. 25 kg	Approx. 25 kg	Approx. 25 kg	Approx. 25.1 kg
	TV with Stand (Narrow position)	-	-	-	Approx. 25 kg	-	-	-
	TV with Stand (Soundbar position)	25 kg	25 kg / 55.1 lb	25 kg	Approx. 25 kg	Approx. 25 kg	Approx. 25 kg	Approx. 25.1 kg
	TV with Stand (Front/Back position style)	-	-	-	-	-	-	-
	TV with Floor Stand	-	-	-	-	-	-	-
	Floor Stand weight (Supply)	-	-	-	-	-	-	-
	W-M t Br. Weight (Supply)	-	-	-	-	-	-	-
Remarks		2way	2way	2way	3way	2way	2way	2way

WITH STAND
STANDARD POSITION



NOTE:
MARKING WITH "x"
THE CAMERA IS BUNDLED FOR X91L ONLY AND IS SOLD SEPARATELY IN OTHER REGIONS.
カメラはX91Lのみ同梱されており、他のモデルは別売りになります

Purchase recycled resins and wire rods only from the business partners that Sony approves as Green Partners.
再生樹脂・銅線材はグリーンパートナー認定受注先から調達してください。

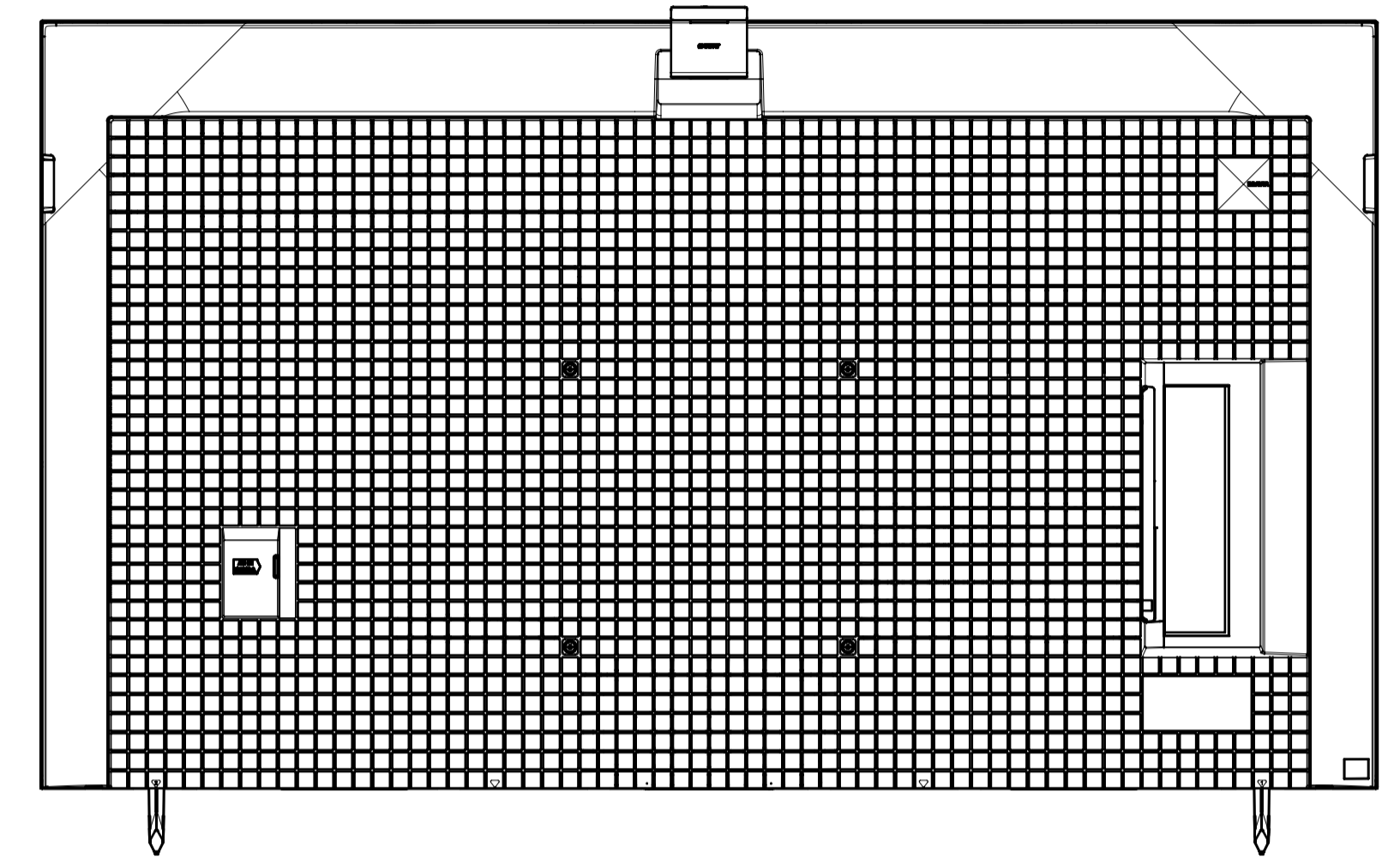
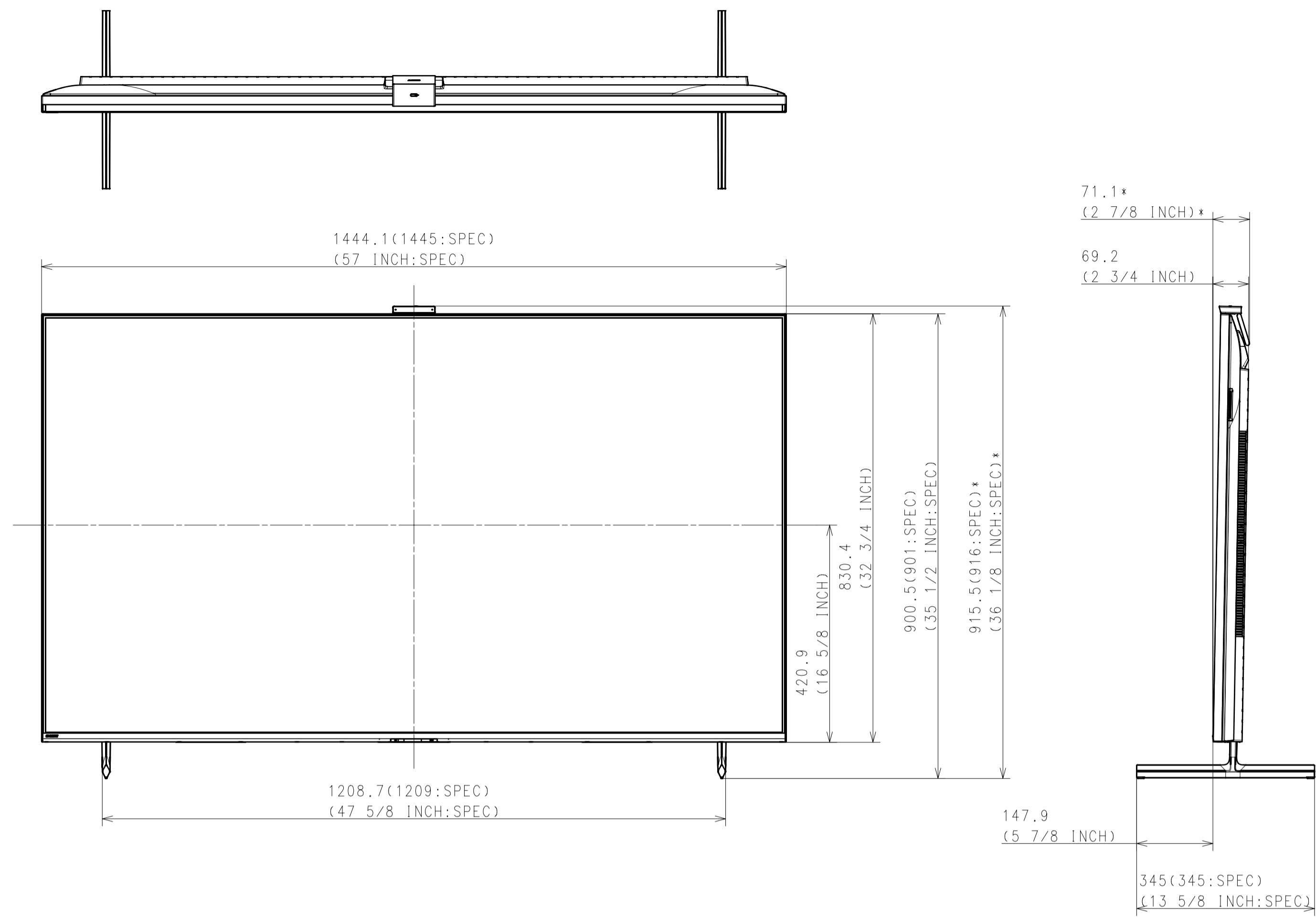
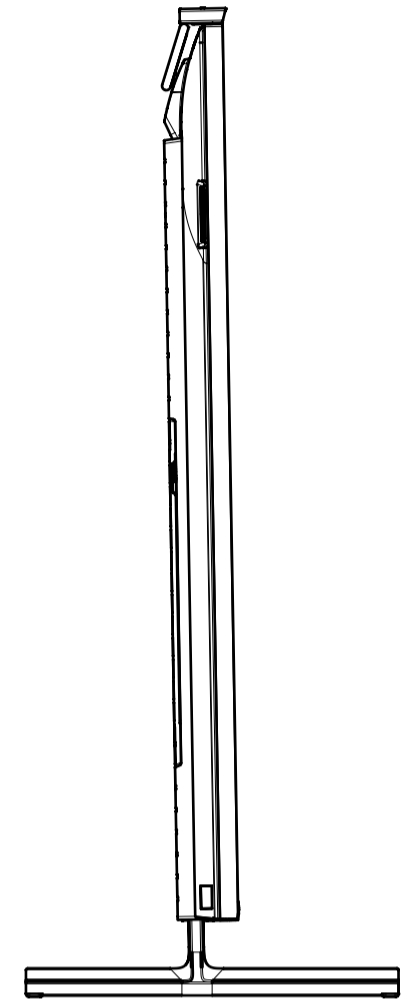
Δ x	Δ y	Δ z	Δ 2	2022.12.13	Dimension revised	Jean	
HISTORY COUNT	SUFFIX PART NO.	RELEASE NO. DATE	REVISION	SIGN.			
LEGAL OWNER	Sony Corporation						
RESPONSIBLE DEPARTMENT	PLANNING & MECHANICAL DESIGN	ORIGINAL MODEL	DESCRIPTION	65 (X90L) EXTERIOR VIEW			
PLANNED BY	2022.10.17	DESIGNED BY	2022.10.17	APPROVED BY	SCALE	1:7	TENTATIVE MODEL
DRAWN BY	2022.10.17	SIZE	A1	UNIT	mm	PART NO.	SUFFIX
							REV. NO.
							1/6

GENERAL TOLERANCE: ± 0.1 mm
DATE OF ISSUE: 2022.10.17
DOCUMENT TYPE: PART
TOLERANCING DRAWING
(JIS & ISO/IEC 8015)

MATERIAL COLOR: FINISH COLOR:

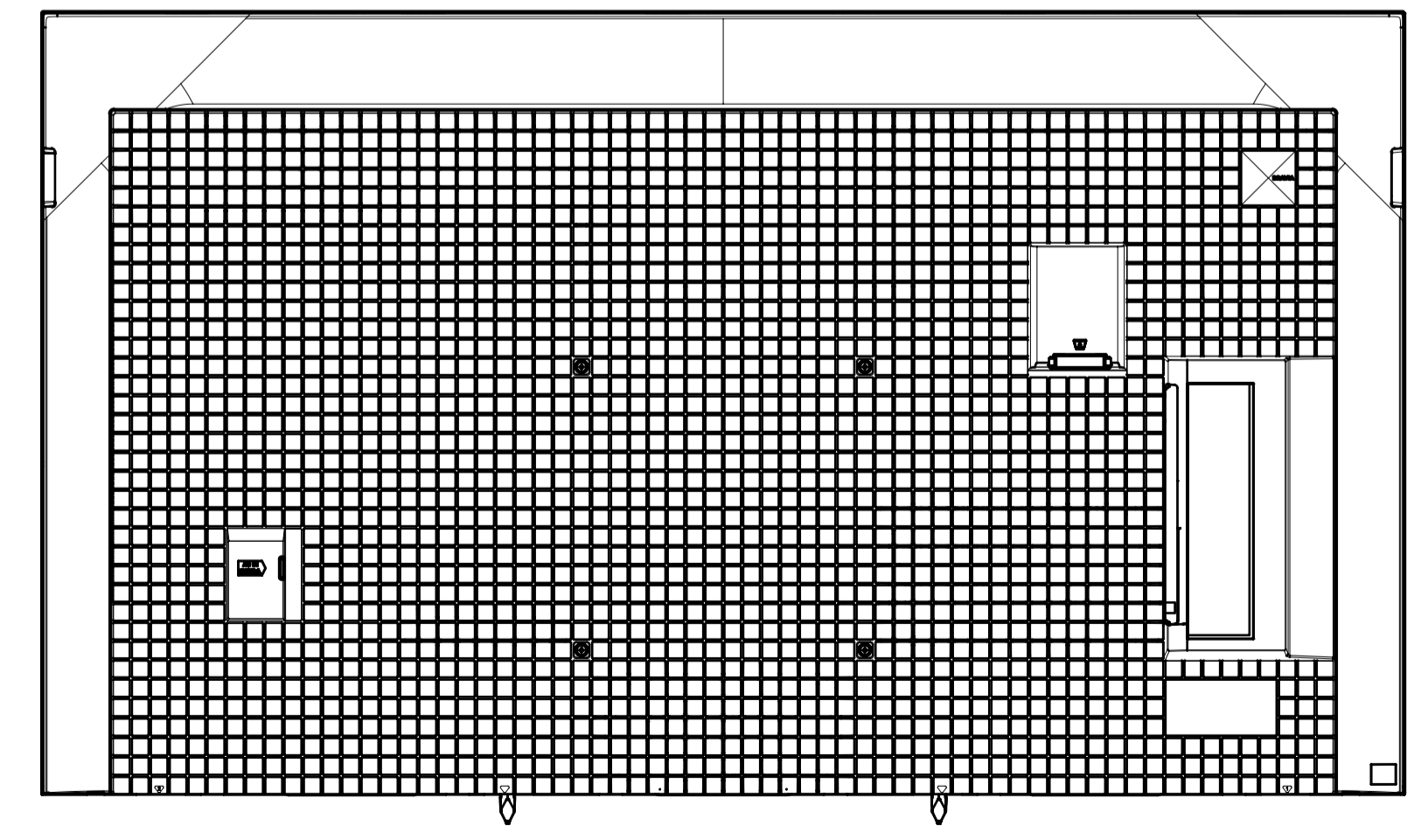
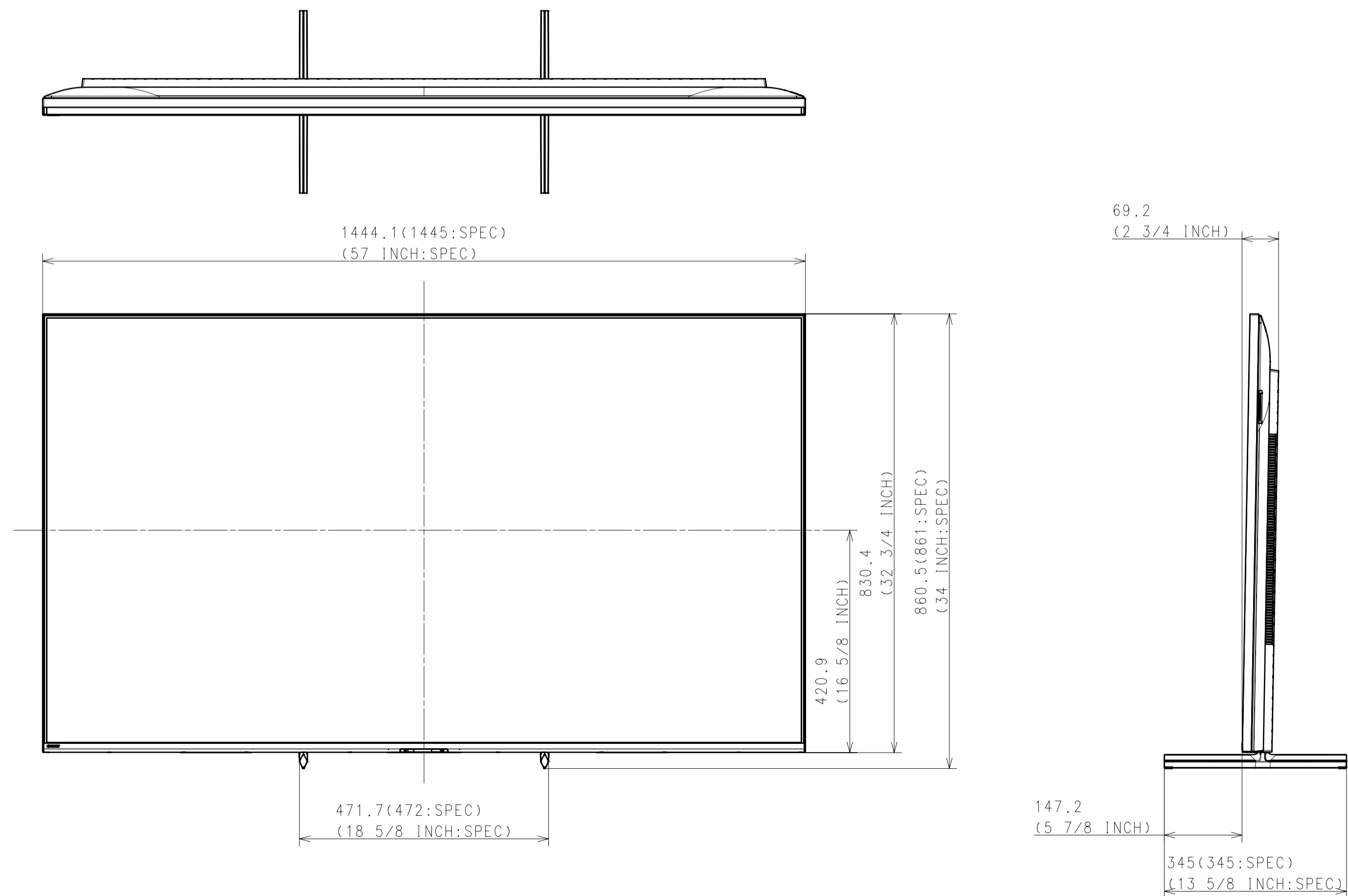
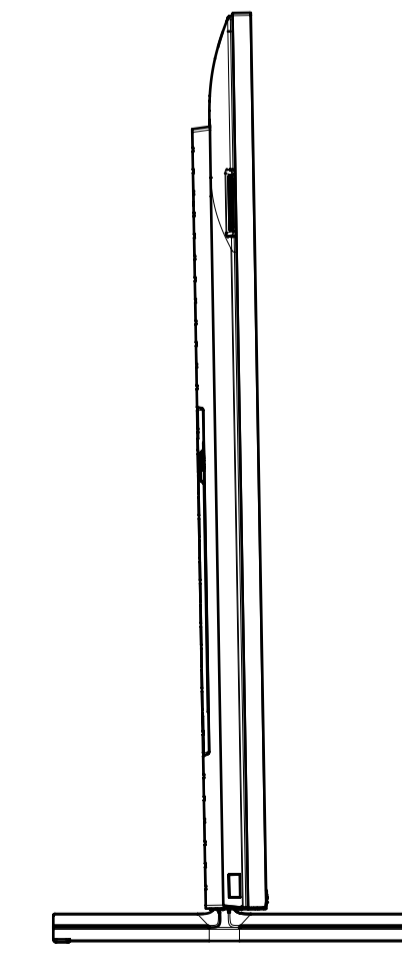
WITH STAND

SOUND BAR POSITION



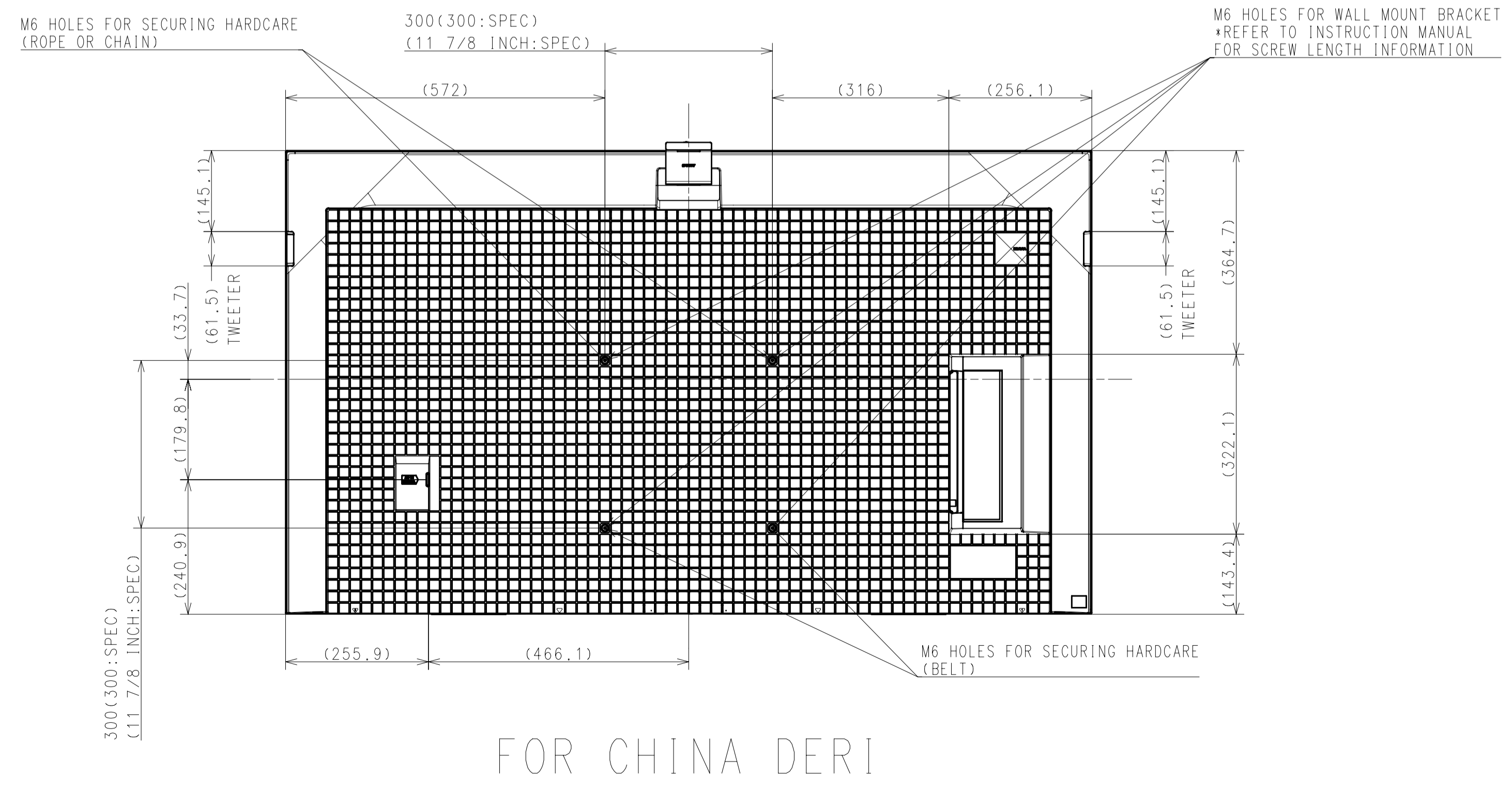
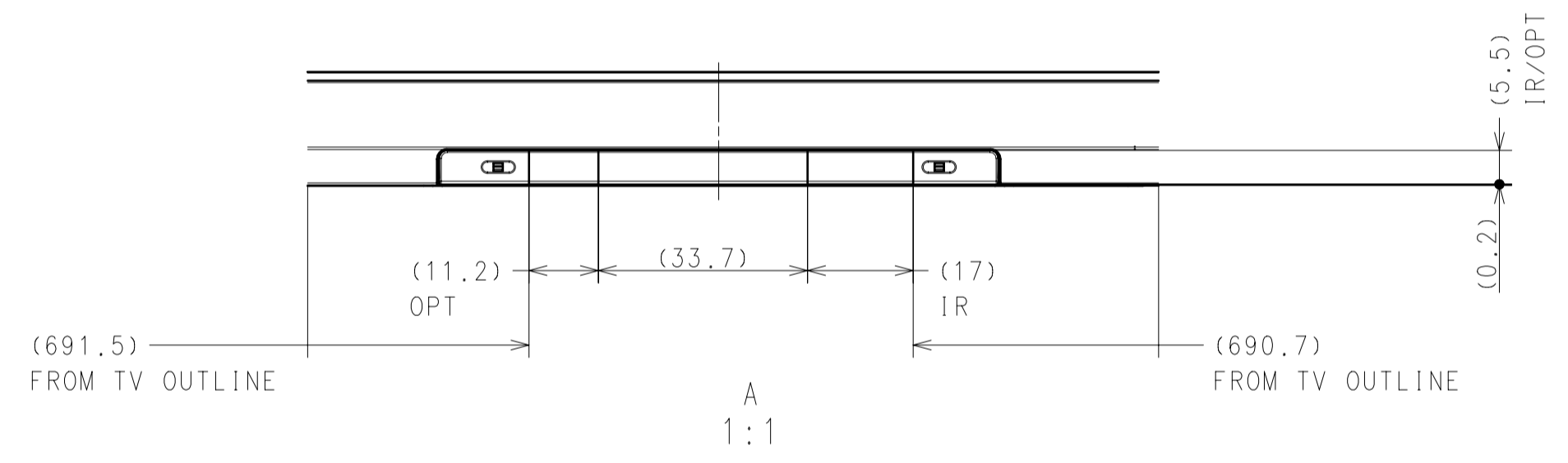
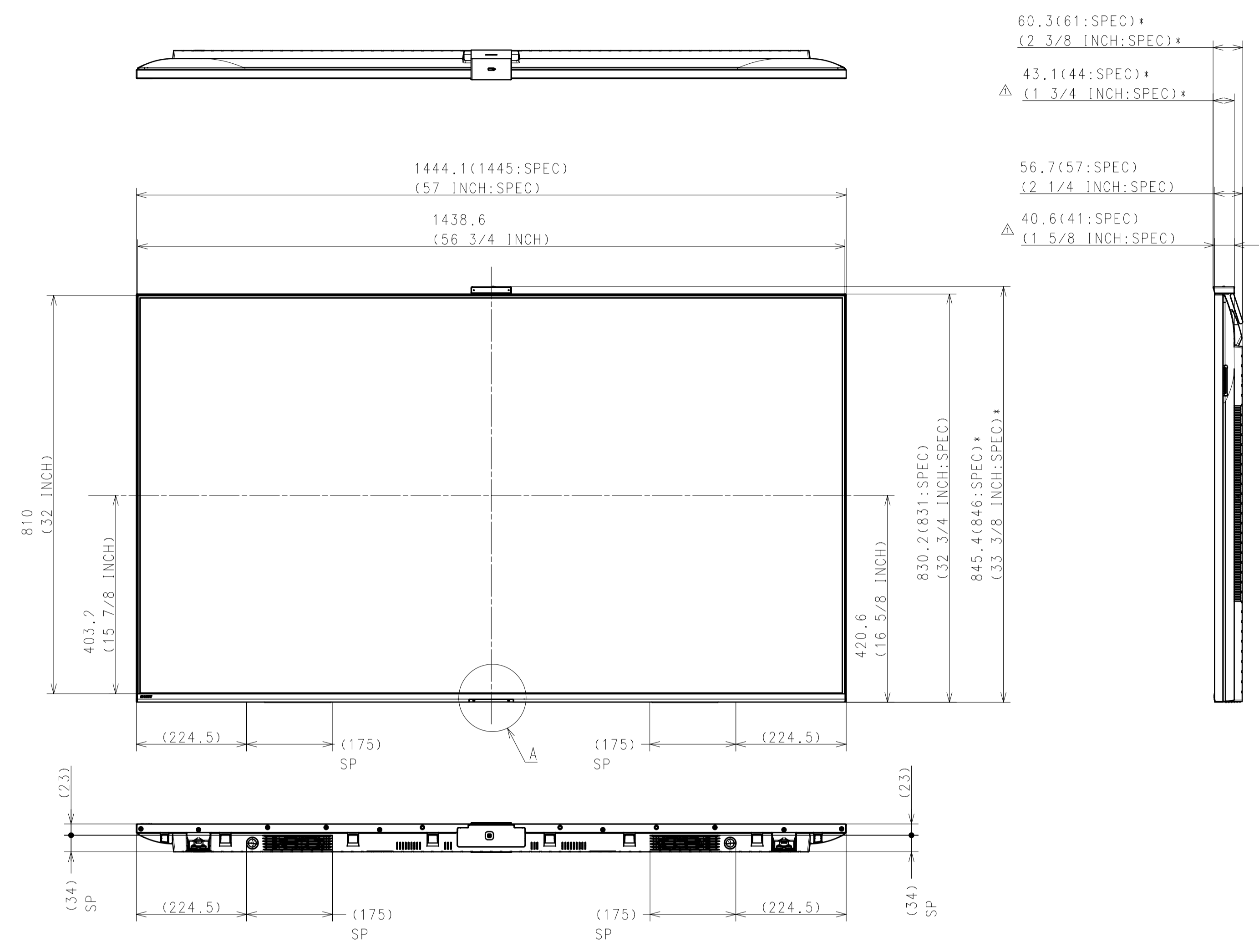
WITH STAND

NARROW POSITION



DESCRIPTION 1 65 (X90L) EXTERIOR VIEW	LEGAL OWNER Sony Corporation	SCALE 1:7
DESCRIPTION 2 65 (X90L) EXTERIOR VIEW	PART NO.	SHEET/PAGES 2 / 6

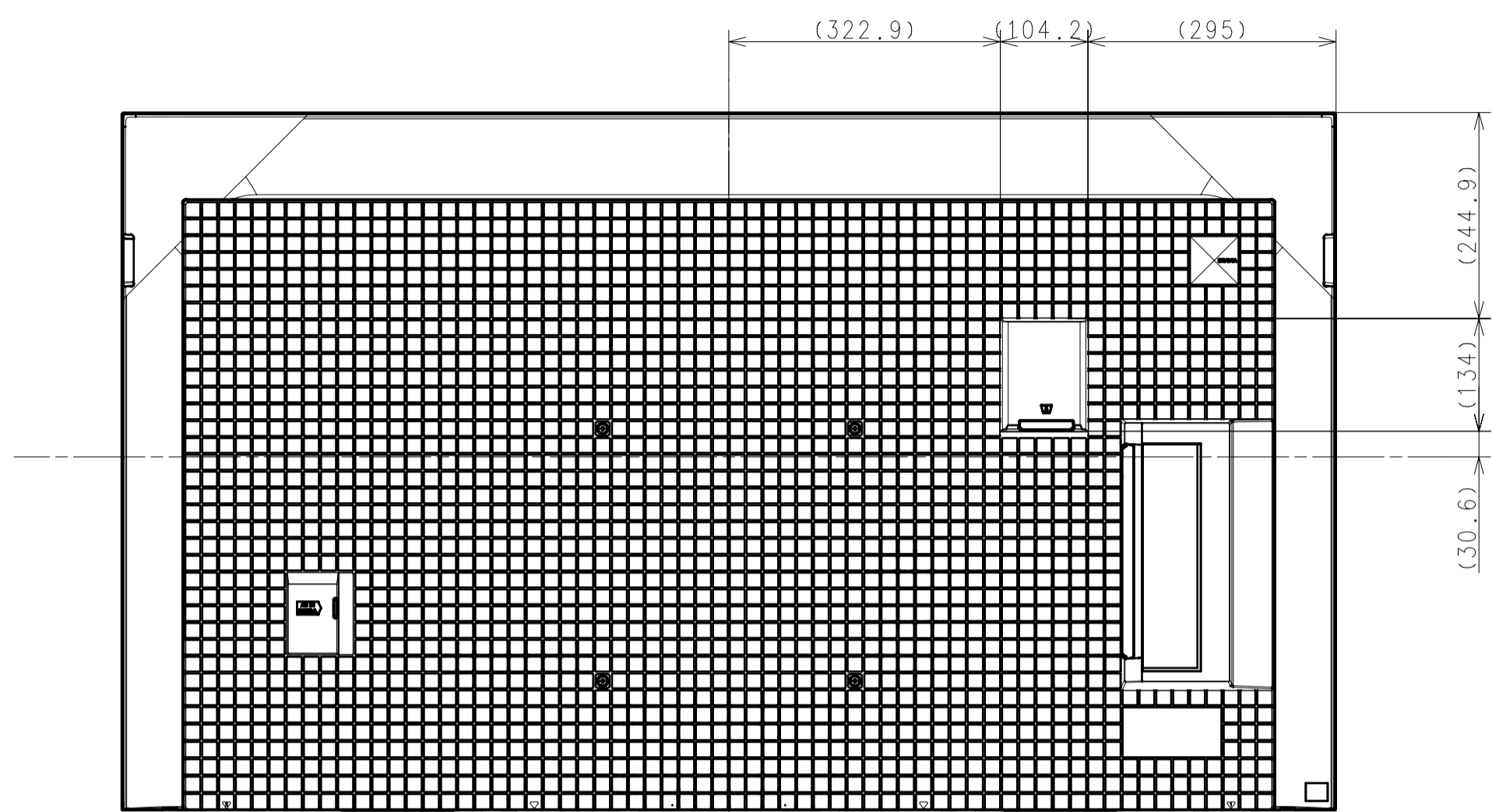
WITHOUT STAND



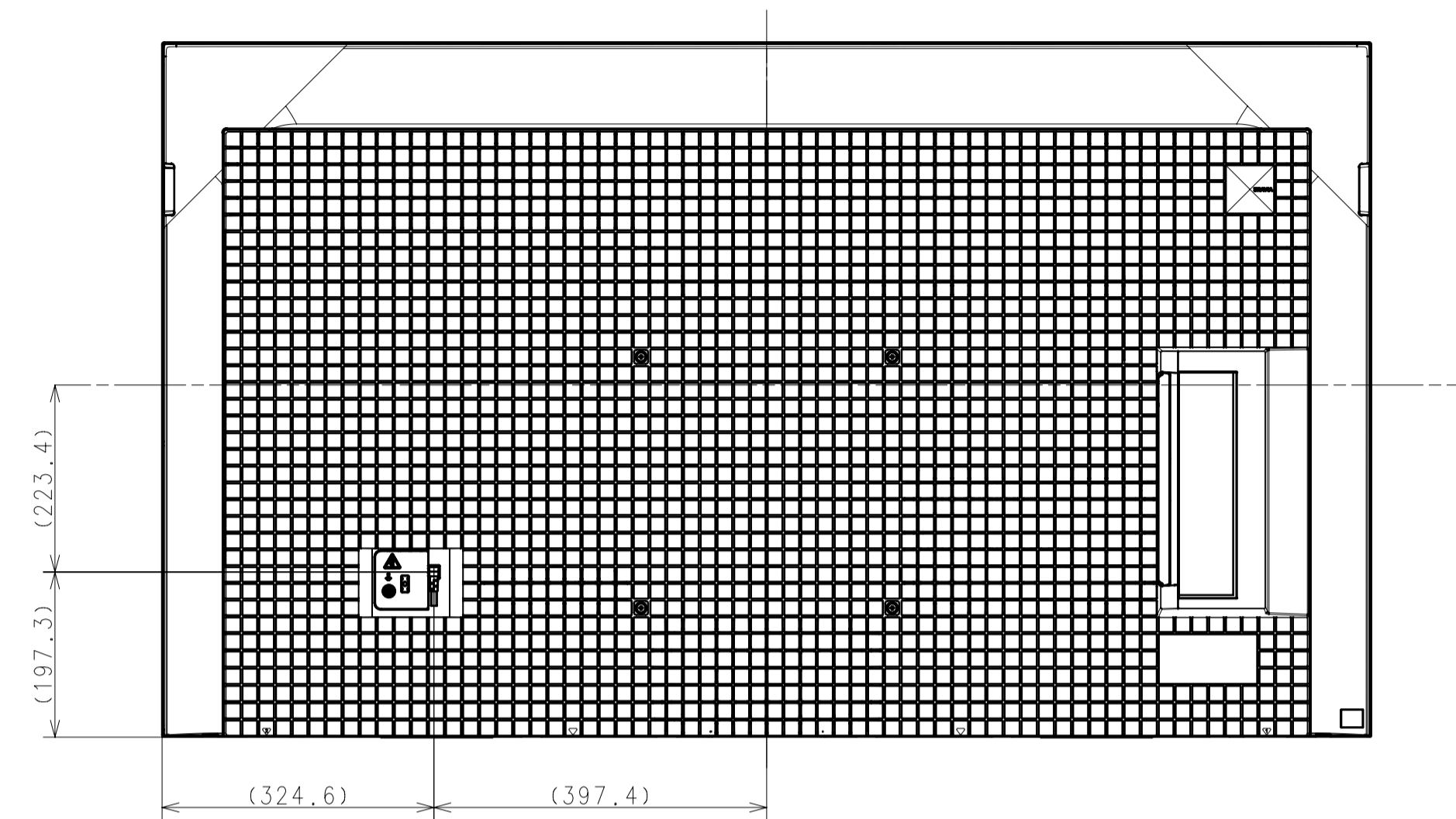
FOR CHINA DERI

DESCRIPTION	LEGAL OWNER	SCALE
65 (X90L) EXTERIOR VIEW	Sony Corporation	1:7
DESCRIPTION	PART NO.	SHEET/PAGES
65 (X90L) EXTERIOR VIEW		3 / 6

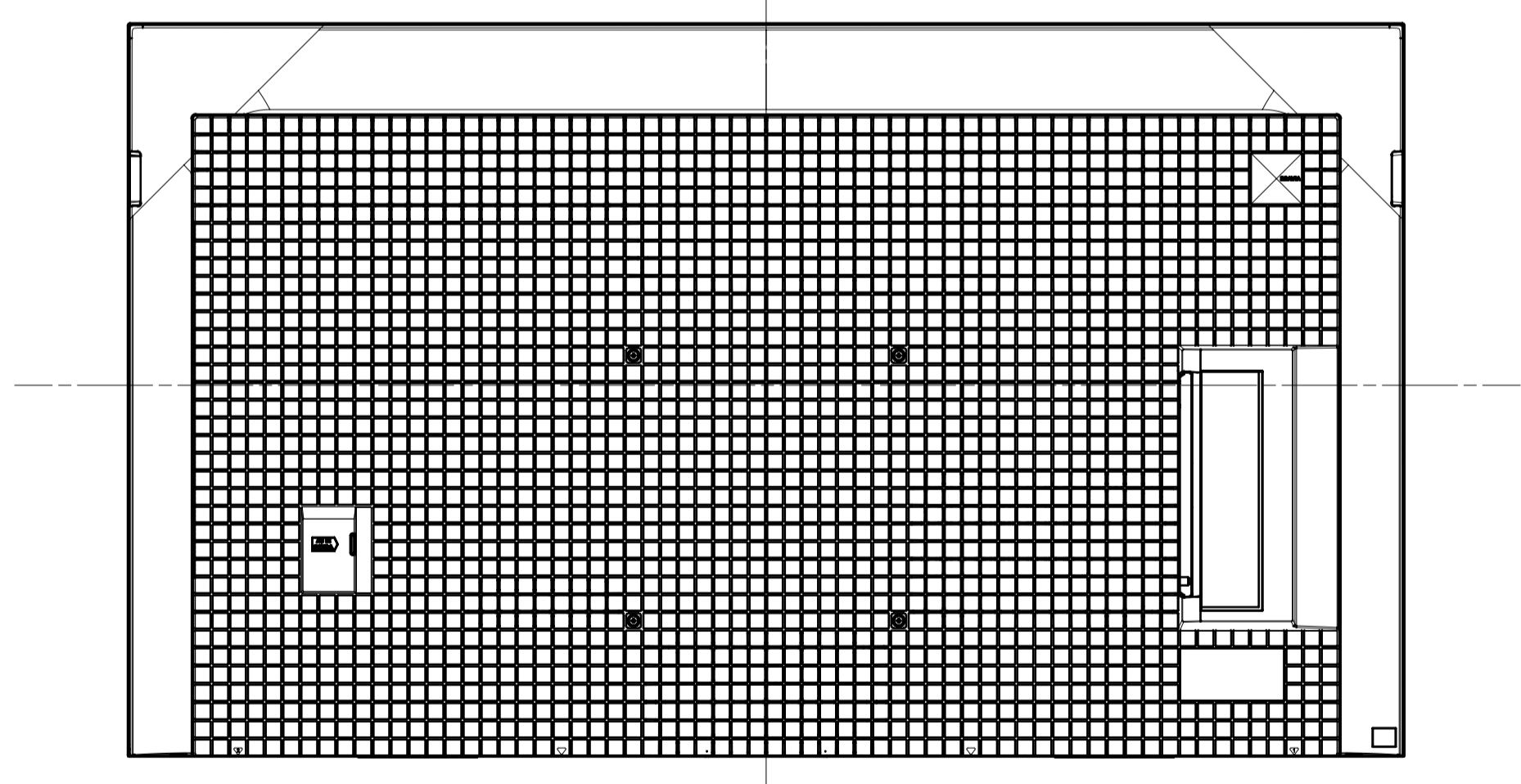
WITHOUT STAND



FOR EUROPE



FOR JAPAN, LATIN AMERICA



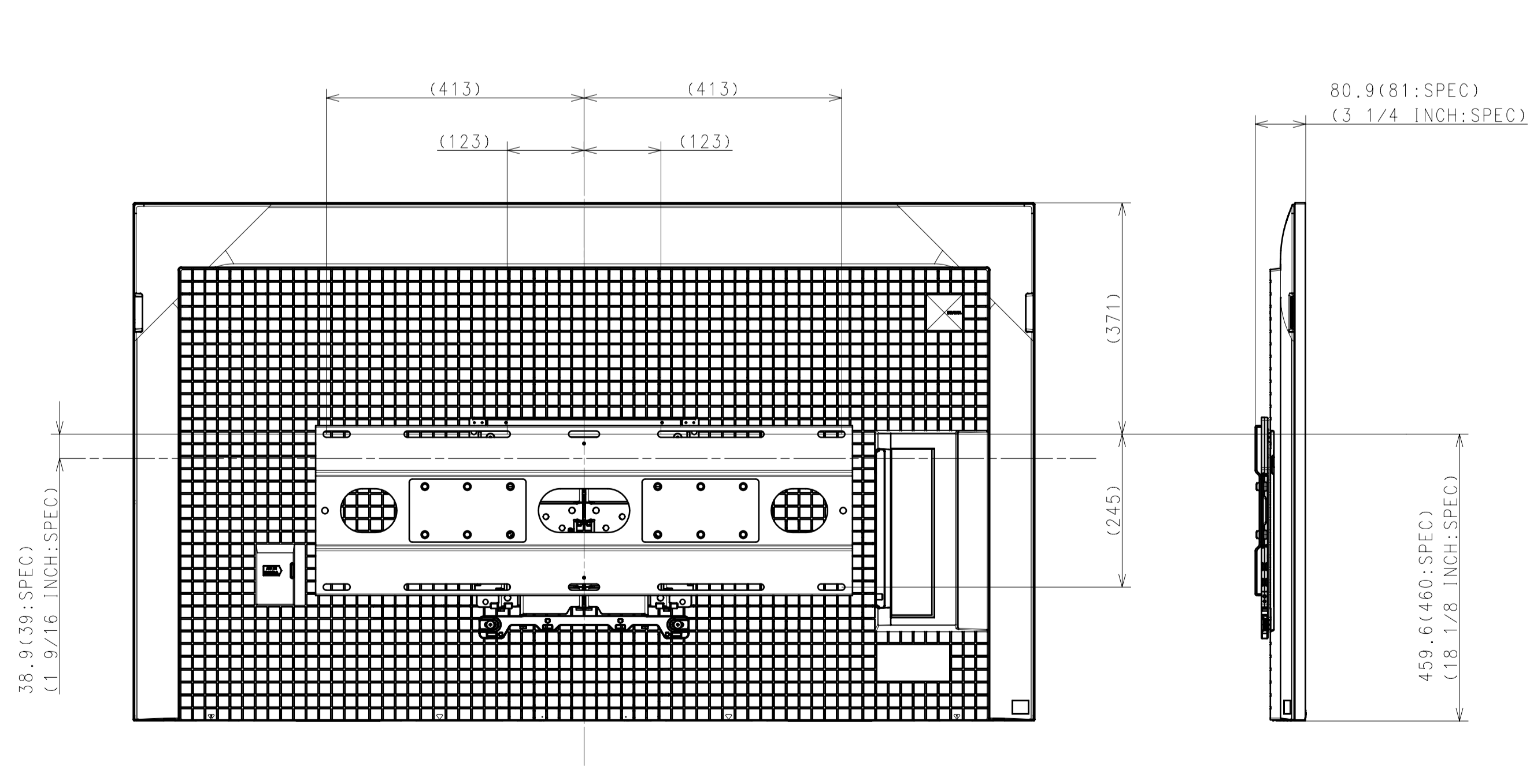
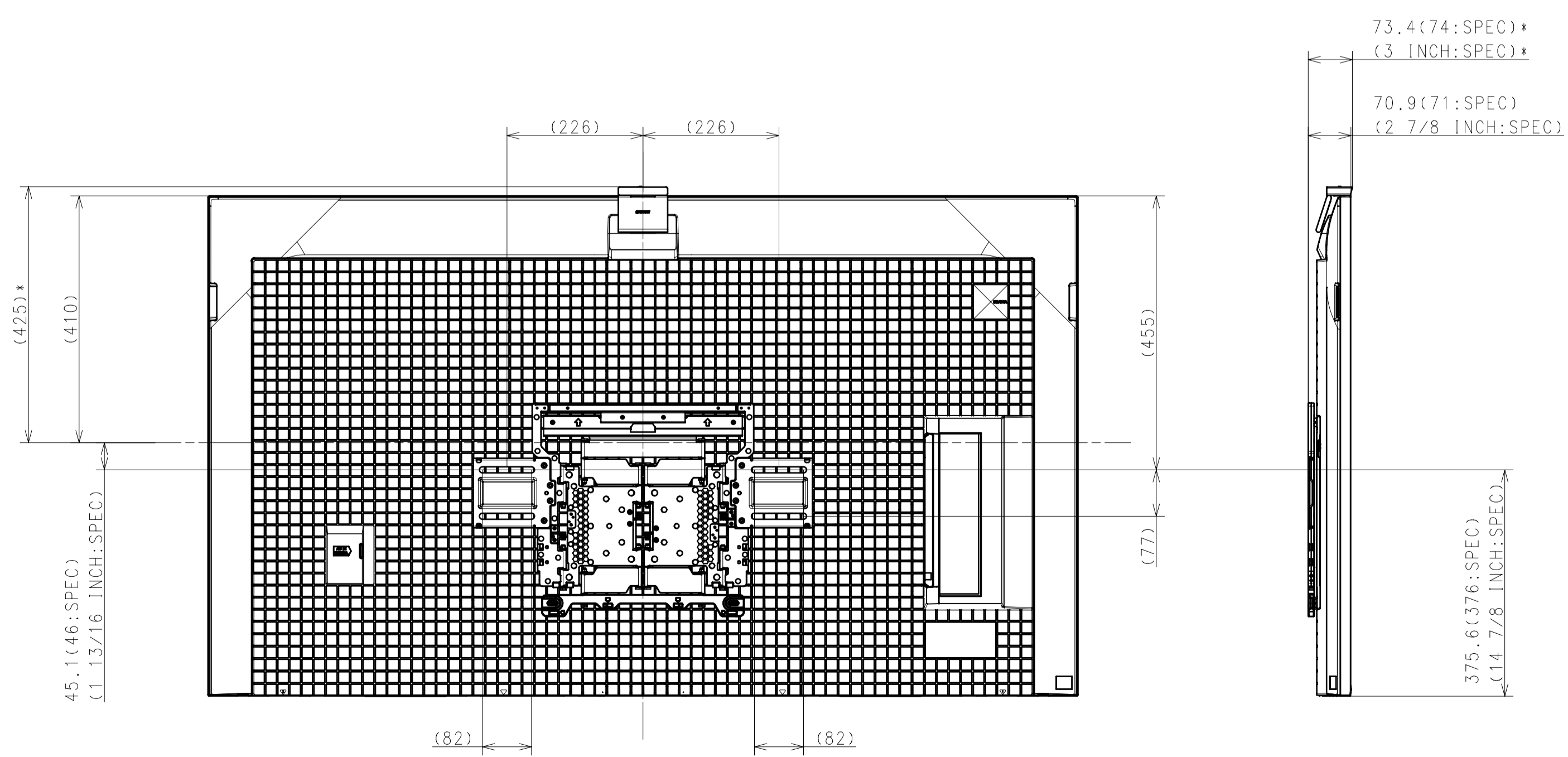
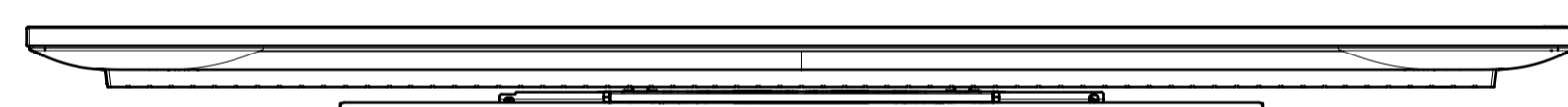
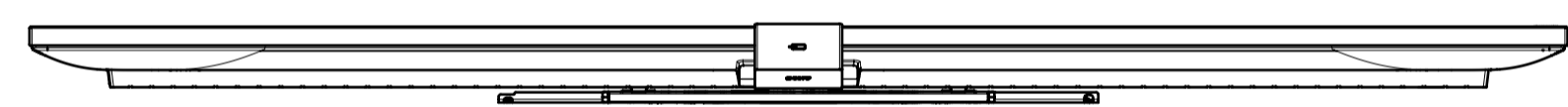
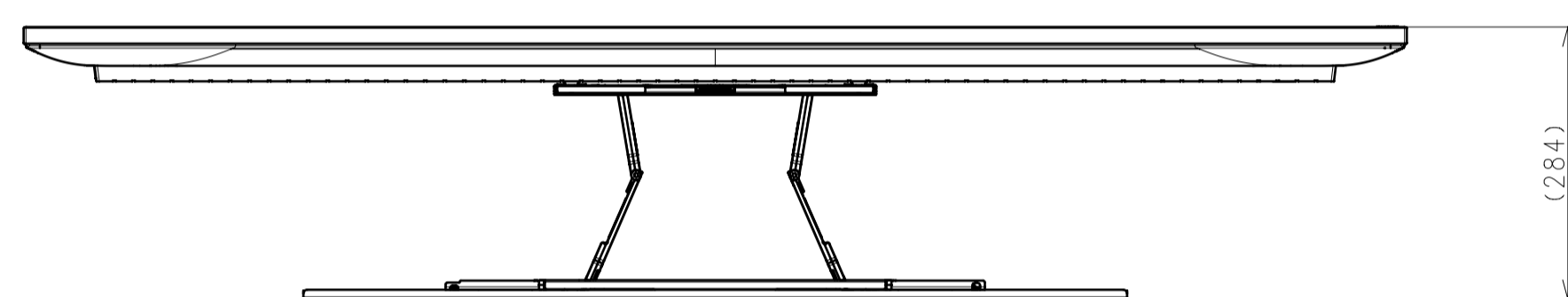
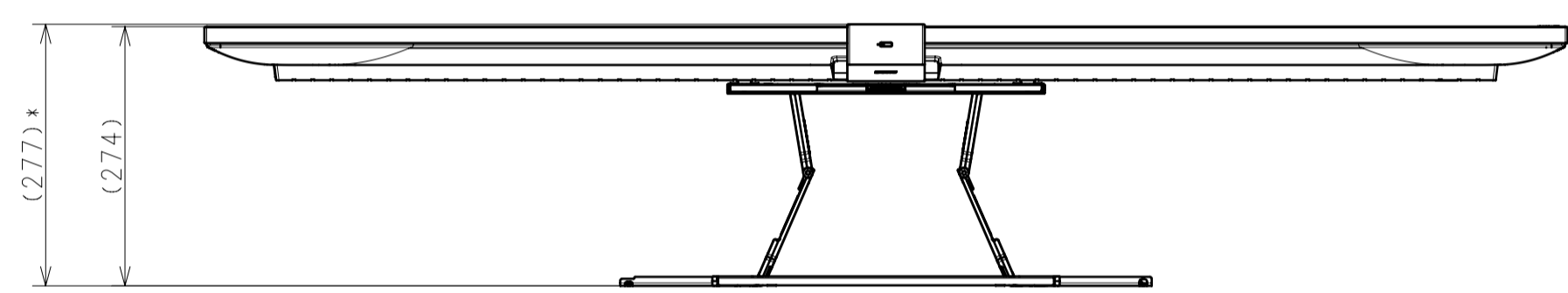
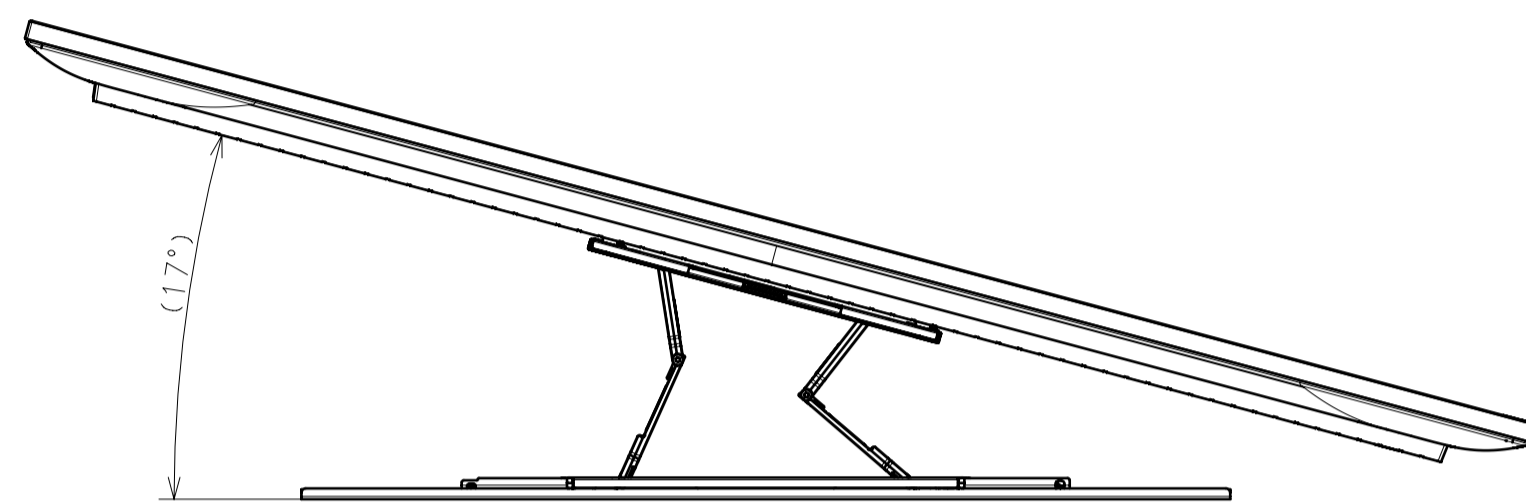
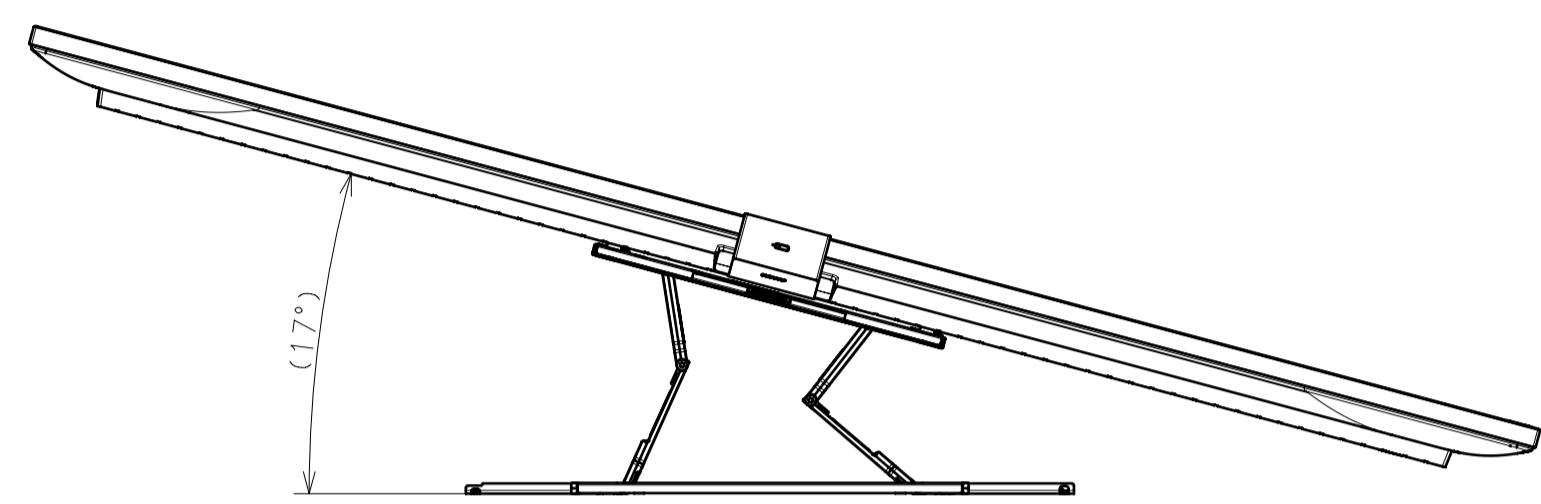
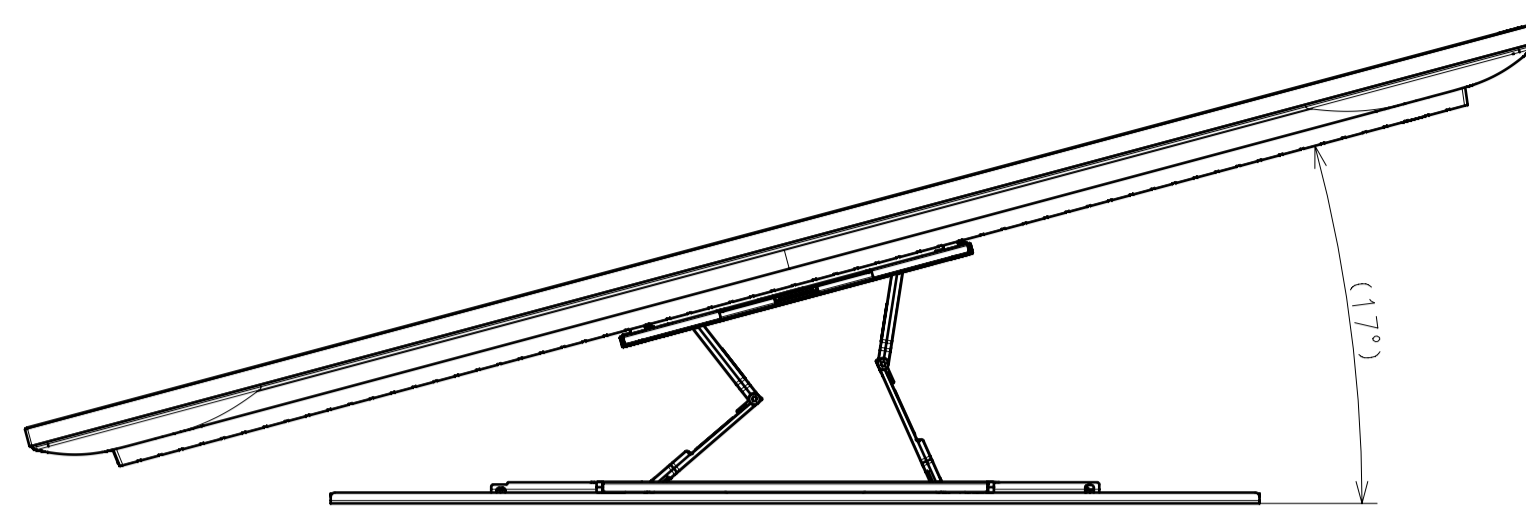
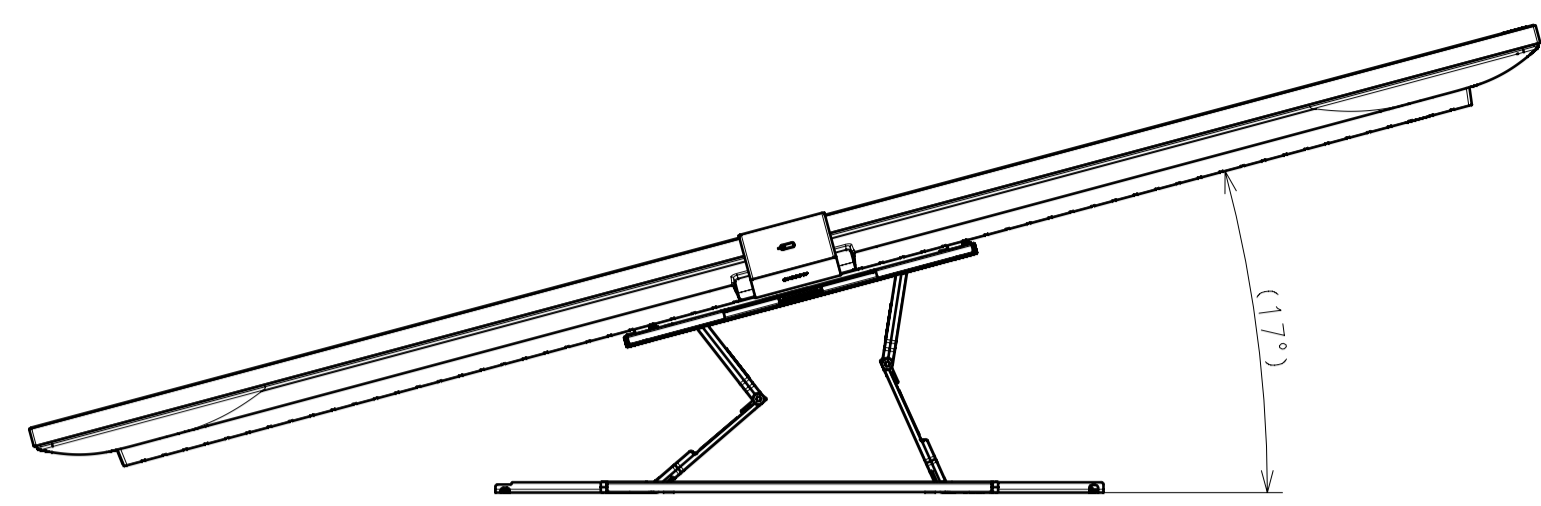
FOR GENERAL AREA, CHINA

SONY STANDARD
DRAWING

DESCRIPTION	LEGAL OWNER	SCALE
65 (X90L) EXTERIOR VIEW	Sony Corporation	1:7
DESCRIPTION	PART NO.	SHEET/PAGES
65 (X90L) EXTERIOR VIEW		4 / 6

SU-WL850

SU-WL855



DESCRIPTION 1	65 (X90L) EXTERIOR VIEW	LEGAL OWNER	Sony Corporation	SCALE	1:7
DESCRIPTION 2	65 (X90L) EXTERIOR VIEW	PART NO.		SHEET/PAGES	6 / 6