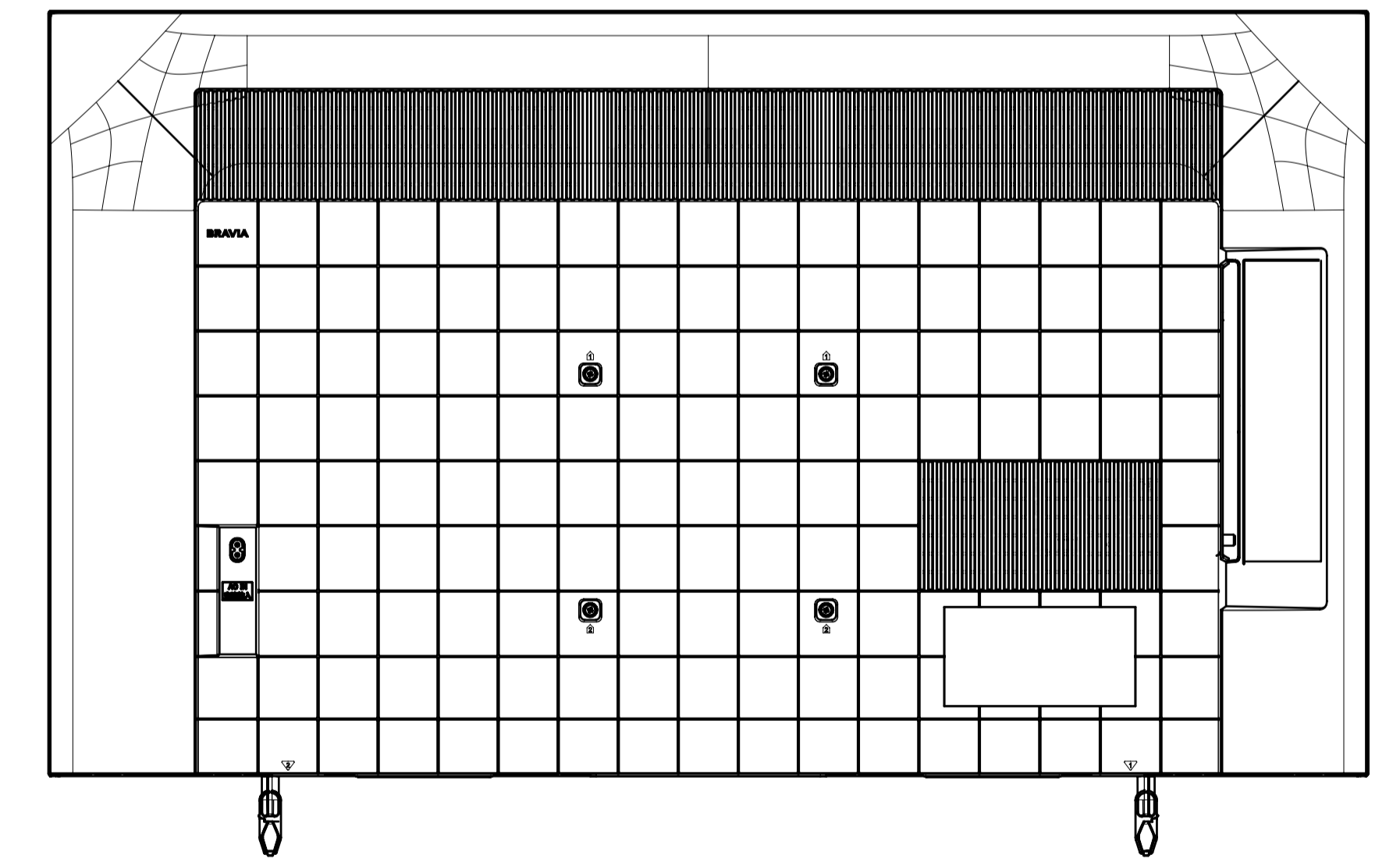
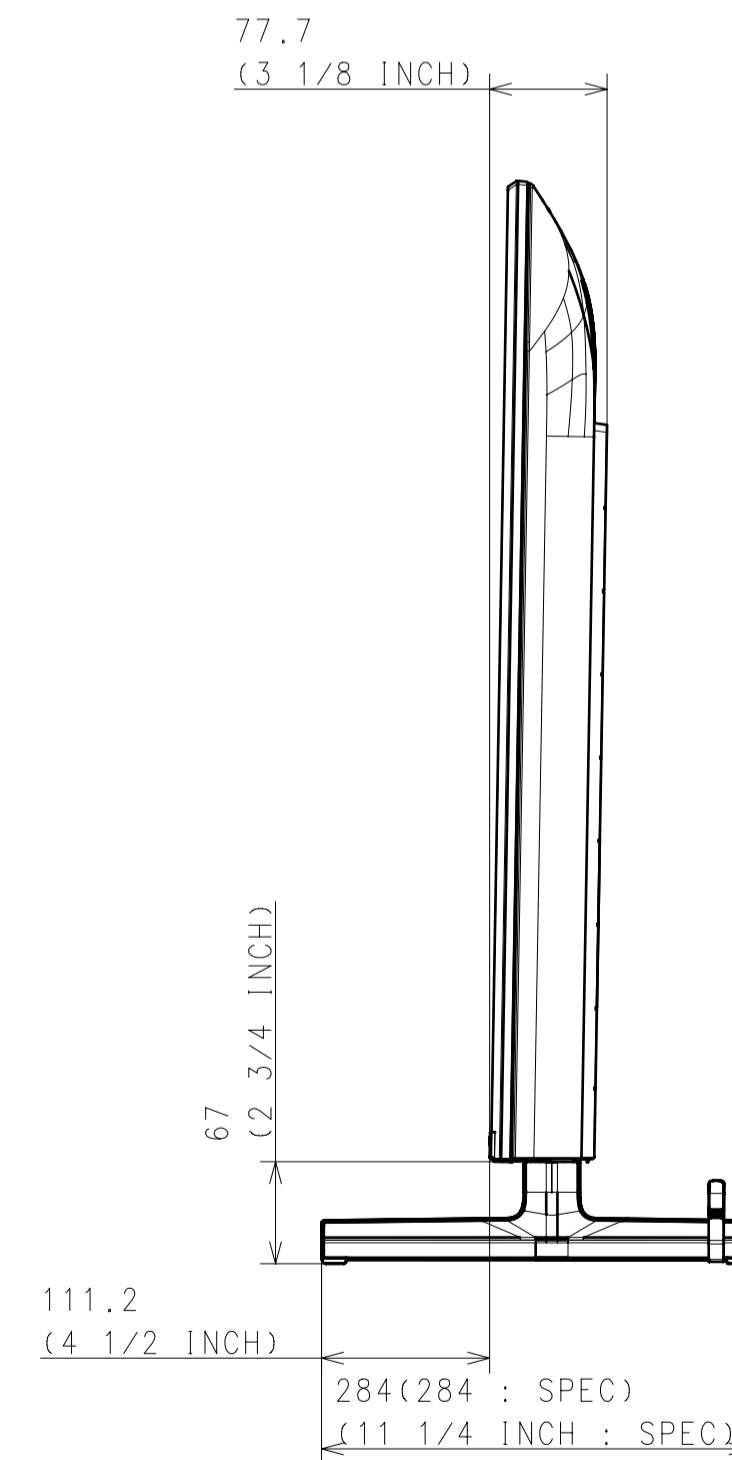
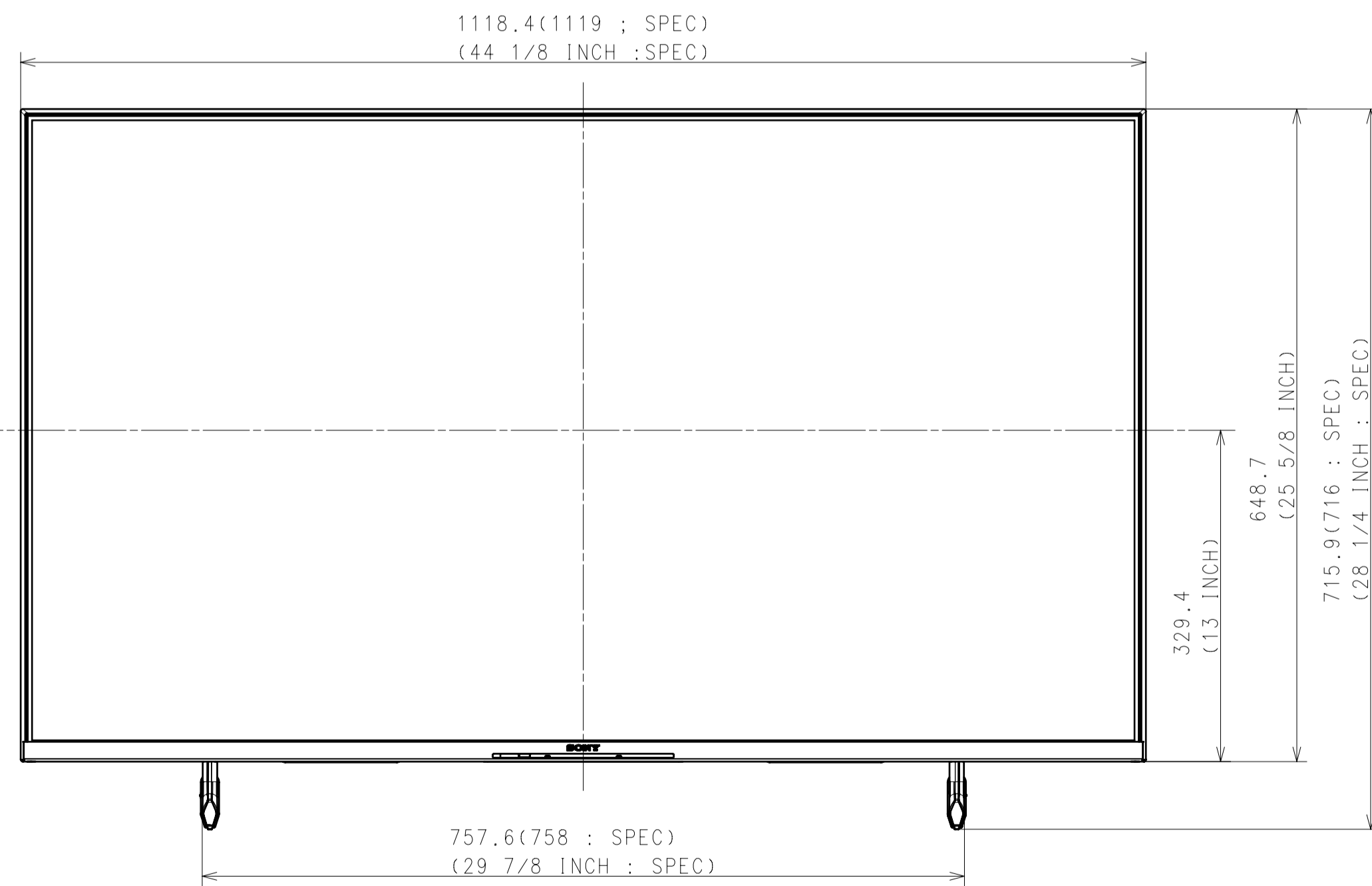
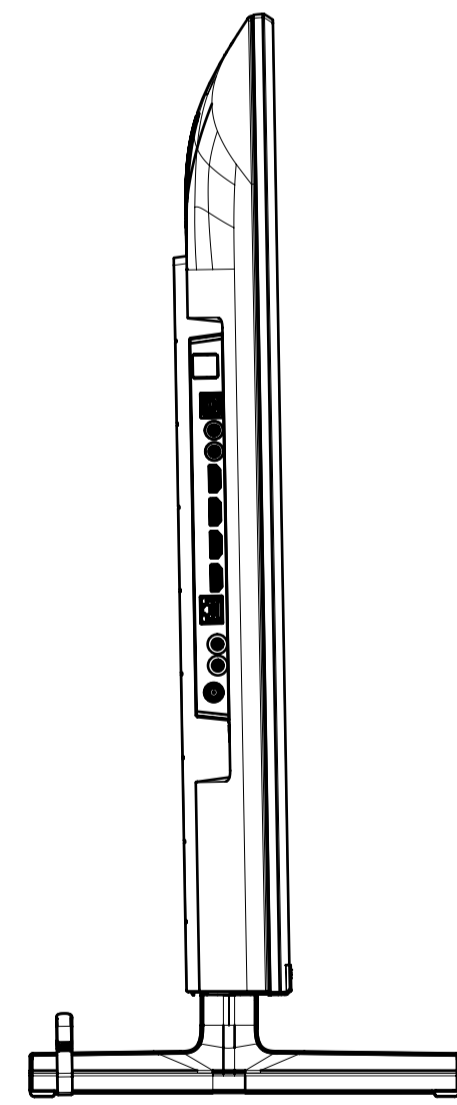
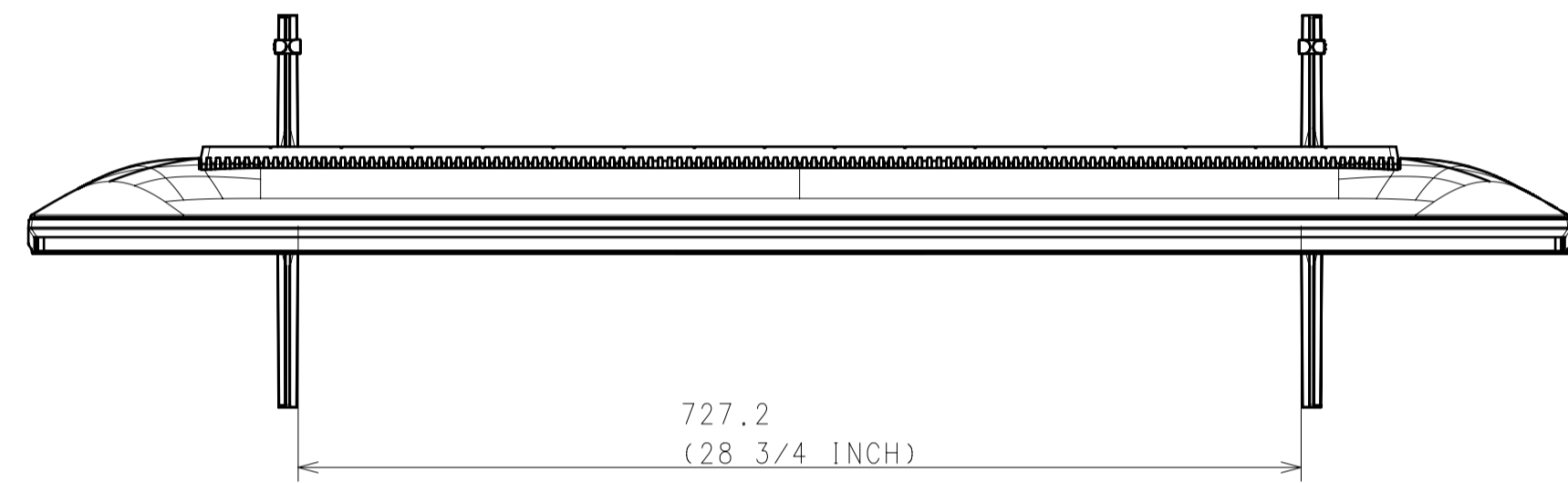


WITH STAND

MAIN STAND WITH STANDARD POSITION FOR KJ-50X80L (JAPAN) AND KD-50X80L (EUROPE, GENERAL AREA)

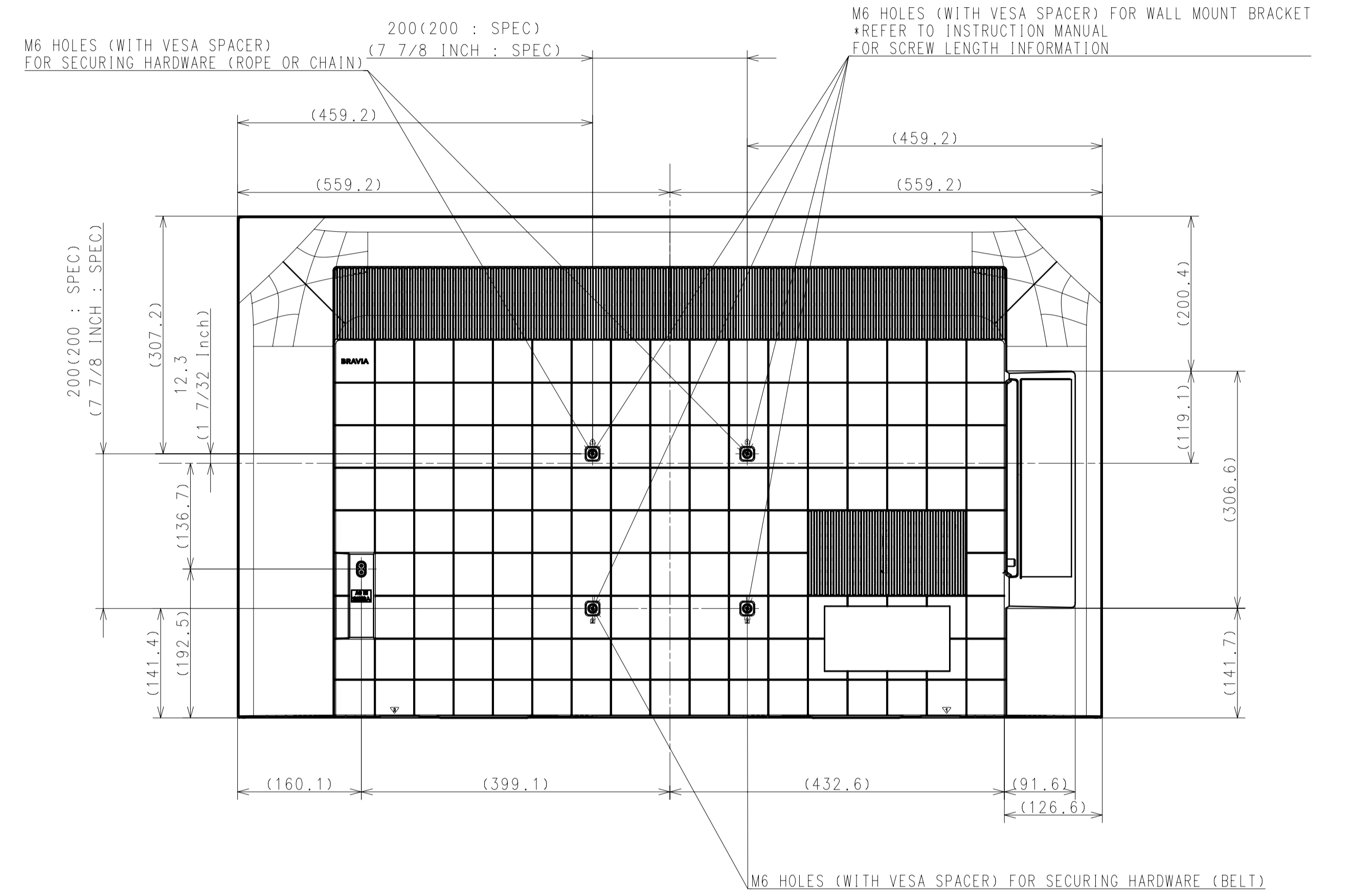
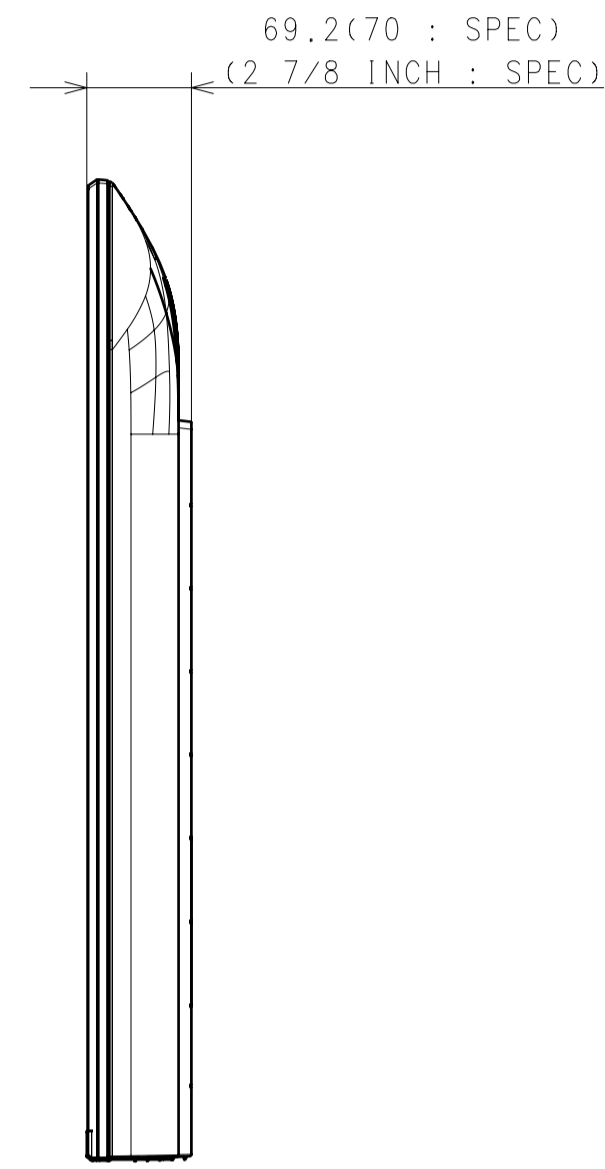
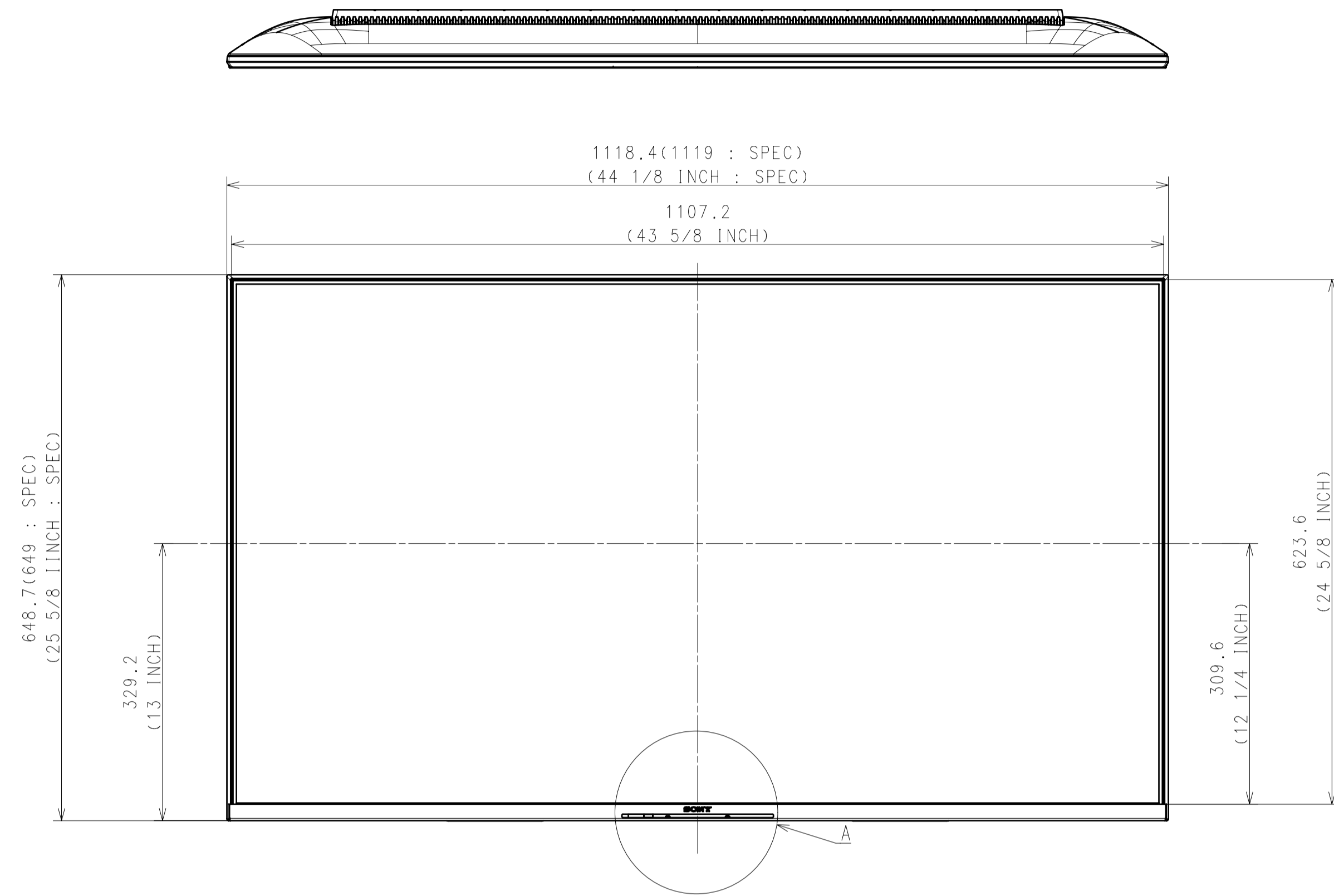


Area	JAPAN	EUROPE	GENERAL AREA	
Model Name	KJ-50X80L	KD-50X80L	KD-50X80L	
SV No.	SV-41314	SV-41270	SV-41113	
DIMENSION	TV only (W x H x D)	111.9 x 64.9 x 7.0 cm	Approx. 111.9 x 64.9 x 7.0 cm	Approx. 111.9 x 64.9 x 7.0 mm
	TV only with camera (W x H x D)	-	-	-
	TV with Stand (Standard position) (W x H x D)	111.9 x 71.6 x 28.4 cm	Approx. 111.9 x 71.6 x 28.4 cm	Approx. 111.9 x 71.6 x 28.4 mm
	TV with Stand (Narrow position) (W x H x D)	-	-	-
	TV with Stand (Soundbar position) (W x H x D)	-	-	-
	TV with Stand (Front position style) (W x H x D)	-	-	-
	TV with Stand (Back position style) (W x H x D)	-	-	-
	TV with Floor Stand (W x H x D)	-	-	-
	Stand Width (Standard position)	75.8 cm	Approx. 75.8 cm	Approx. 75.8 mm
	Stand Width (Narrow position)	-	-	-
	Stand Width (Soundbar position)	-	-	-
	Stand Width (Front position style)	-	-	-
	Stand Width (Back position style)	-	-	-
Floor Stand Width	-	-	-	
VESA Hole Pitch	20.0 x 20.0 cm	20.0 x 20.0 cm	200 x 200 mm	
WEIGHT	TV Only	12.4 kg	Approx. 12.4 kg	Approx. 12.4 kg
	TV with Stand (Standard position)	13.1 kg	Approx. 13.1 kg	Approx. 13.1 kg
	TV with Stand (Narrow position)	-	-	-
	TV with Stand (Soundbar position)	-	-	-
	TV with Stand (Front/Back position style)	-	-	-
	TV with Floor Stand	-	-	-
	Floor Stand weight (Supply)	-	-	-
Remarks	W-M't Br. Weight (Supply)	-	-	-

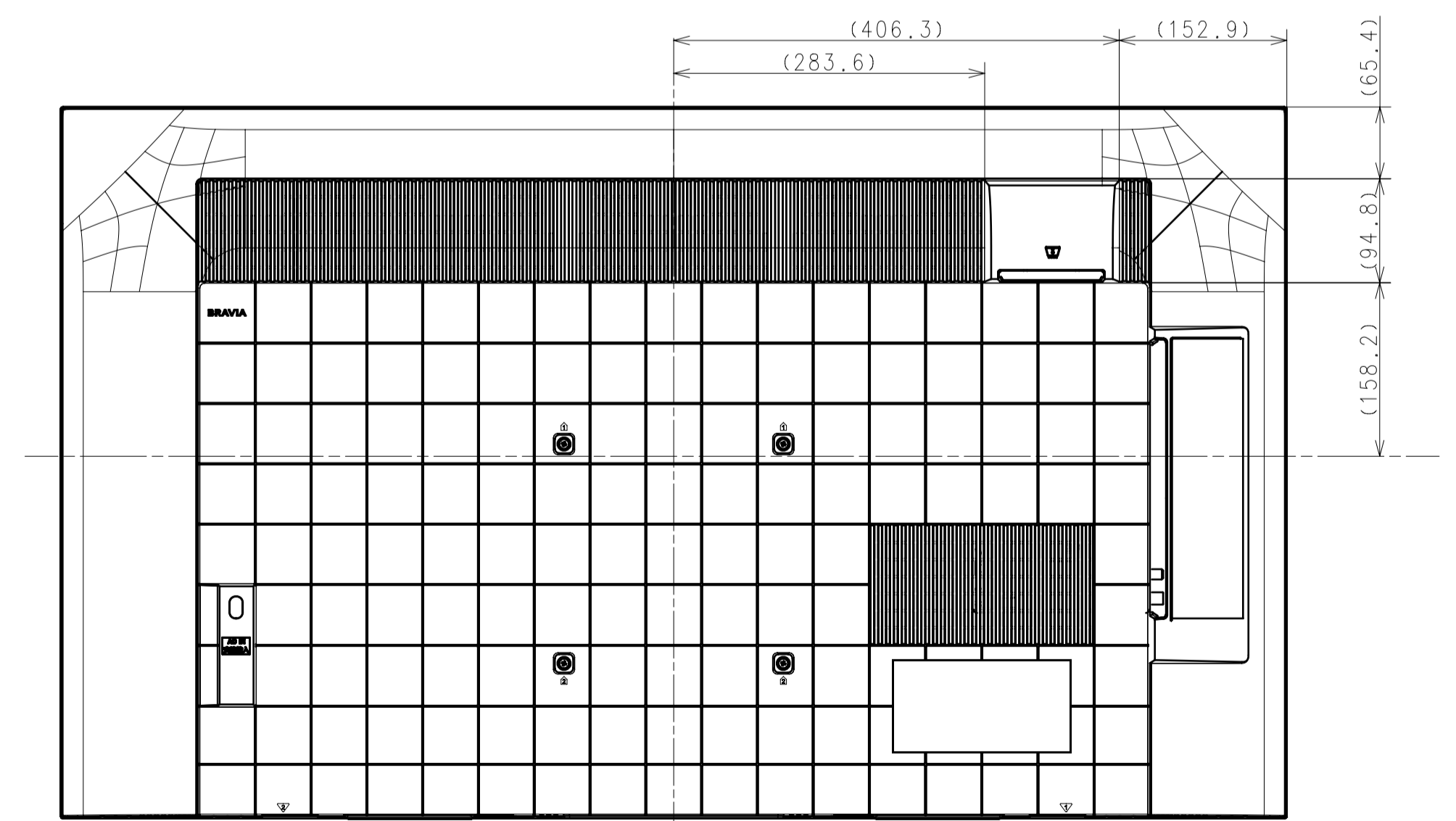
Purchase recycled resins and wire rods only from the business partners that Sony approves as Green Partners.

DATE OF ISSUE 2022.10.10	DOCUMENT TYPE ASSEMBLY DRAWING	GENERAL TOLERANCE	DATE OF ISSUE 2022.10.10
HISTORY	SUFFIX	RELEASE NO.	REVISION
LEGAL OWNER Sony Corporation	RESPONSIBLE DEPARTMENT PANEL & MECHANICAL DESIGN	ORIGINAL MODEL 50(X80L) EXTERIOR VIEW	DESCRIPTION
PLANNED BY 2022.10.10	DESIGNED BY 2022.10.10	CHECKED BY	APPROVED BY
SCALE 1:5	TENTATIVE MODEL	SIZE A1	UNIT mm
SHEET NO. 1/3	SUFFIX	REV. NO.	SHEET/PAGES

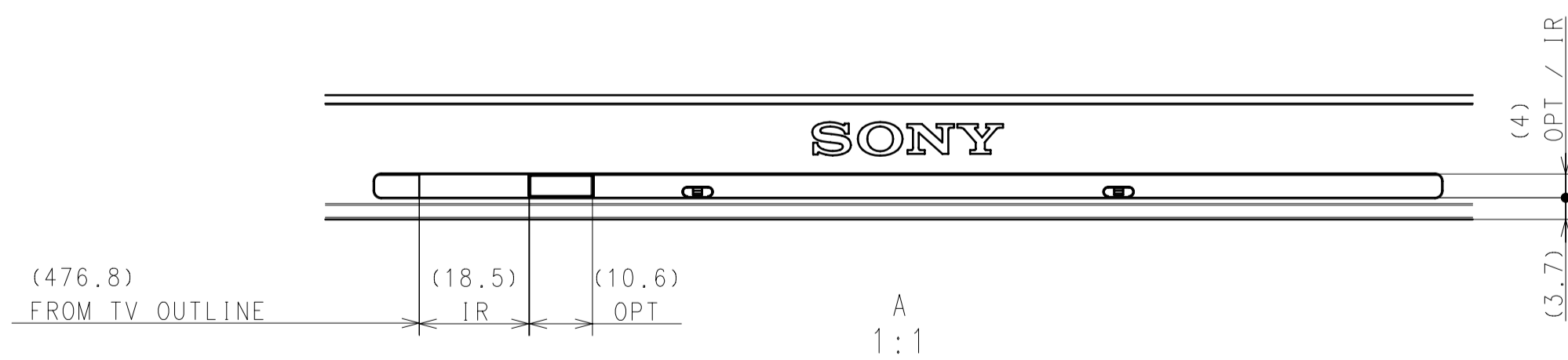
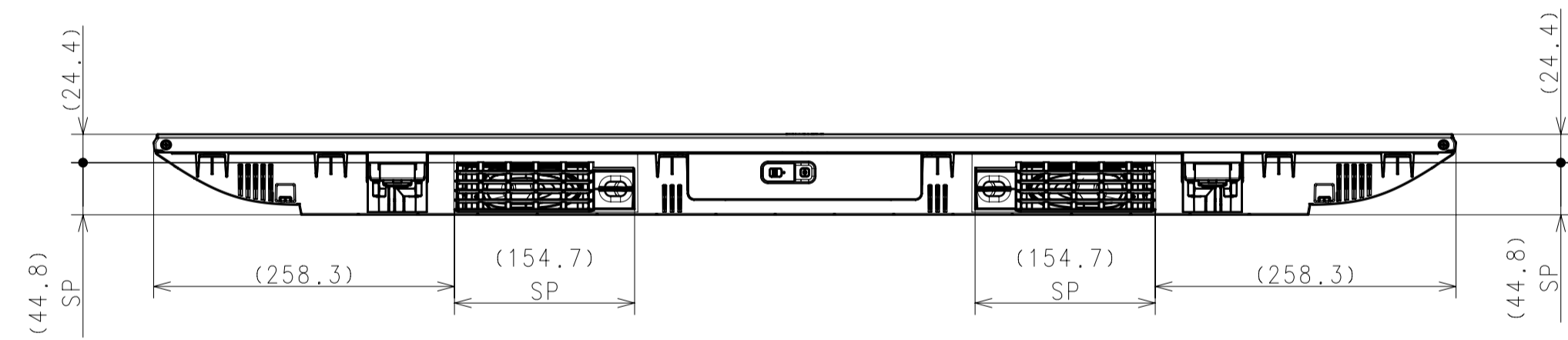
WITHOUT STAND



FOR JAPAN AND GENERAL AREA



FOR EUROPE

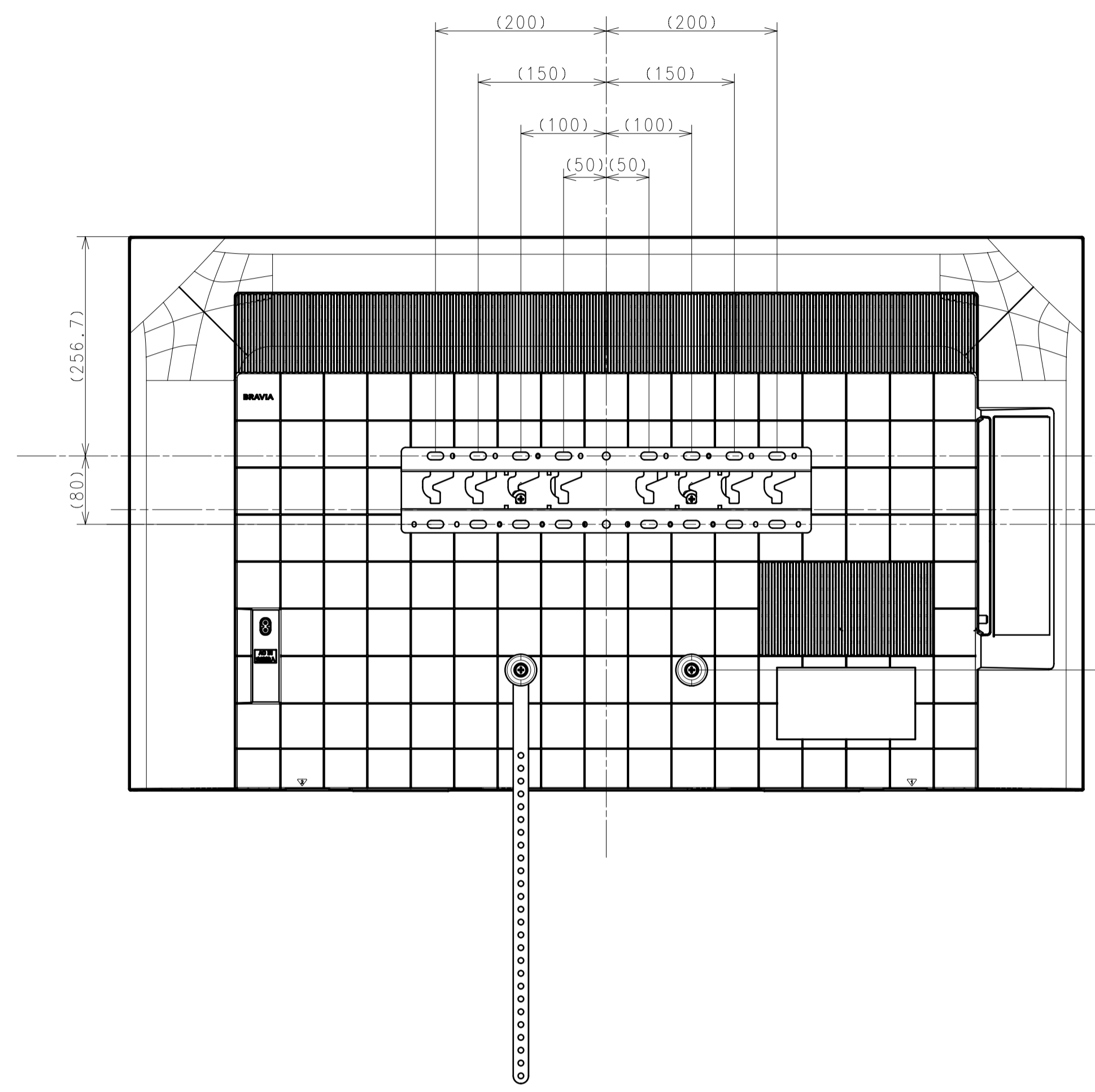


DESCRIPTIONS 50(X80K) EXTERIOR VIEW	LEGAL OWNER Sony Corporation	SCALE 1:5
DESCRIPTIONS 50(X80K) EXTERIOR VIEW	PART NO.	SHEET/PAGES 2 / 3

SU-WL450

STANDARD

SLIM



132.8(133 : SPEC)
(5 1/4 INCH : SPEC)

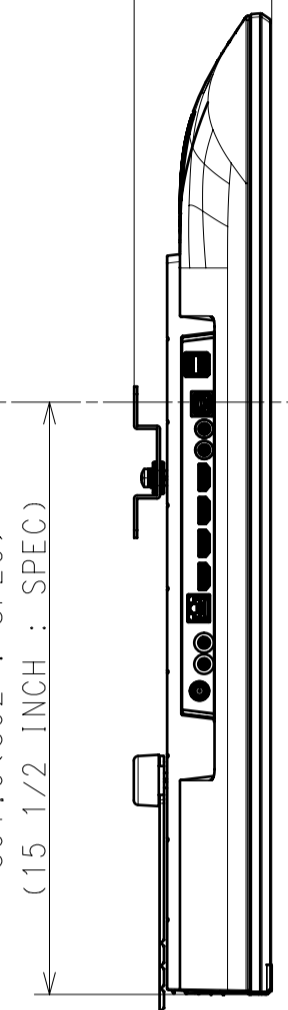
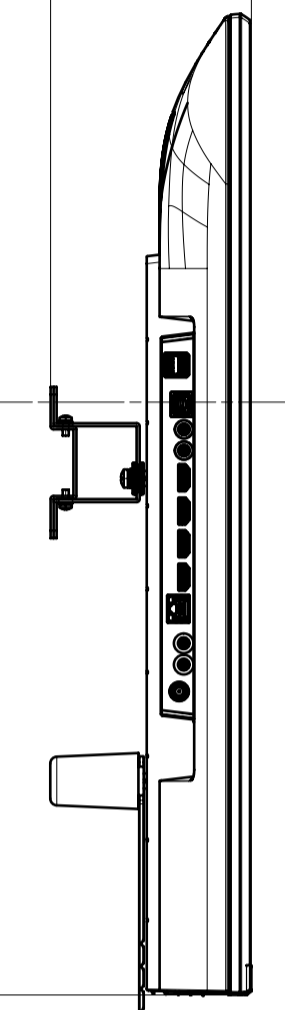
91(91 : SPEC)
(3 5/8 INCH : SPEC)

62.8(63 : SPEC)
(2 1/2 INCH : SPEC)

250.5(251 : SPEC)
(10 INCH : SPEC)

391.9(392 : SPEC)
(15 1/2 INCH : SPEC)

391.9(392 : SPEC)
(15 1/2 INCH : SPEC)



SONY STANDARD DRAWING

DESCRIPTION 1	LEGAL OWNER	SCALE
50(X80K) EXTERIOR VIEW	Sony Corporation	1:5
DESCRIPTION 2	PART NO.	SHEET/PAGES
50(X80K) EXTERIOR VIEW		3/3