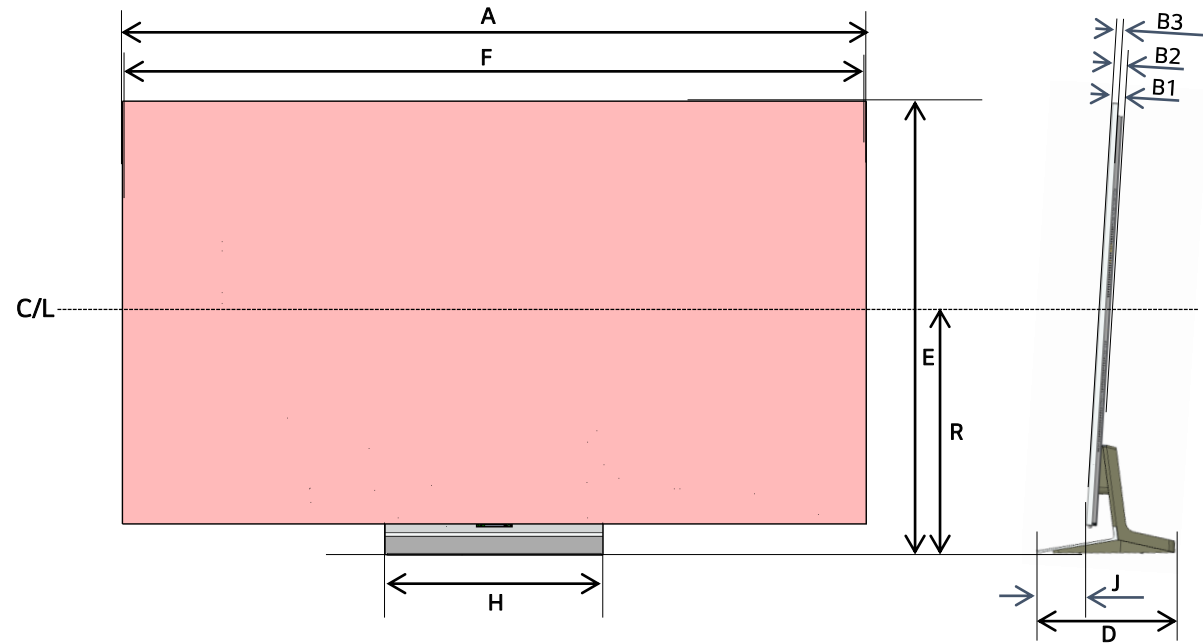


OLED G2 TOOL
(55/65/77/83 inch)

2. Line Drawing

2-1. Front & Side View (Head + Stand)

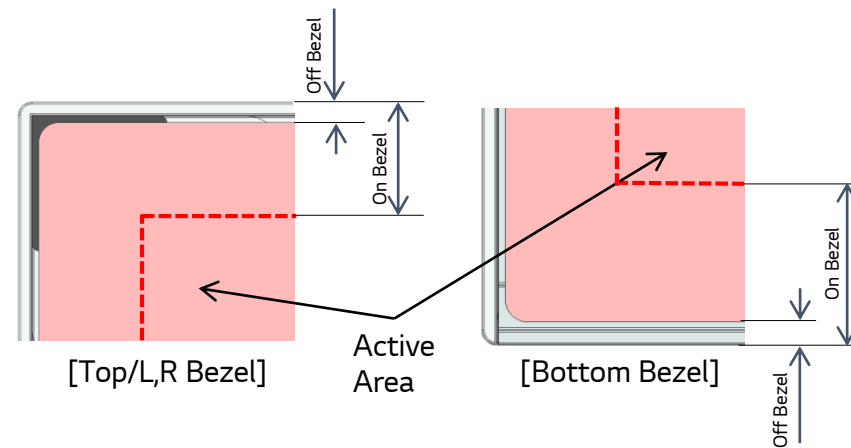
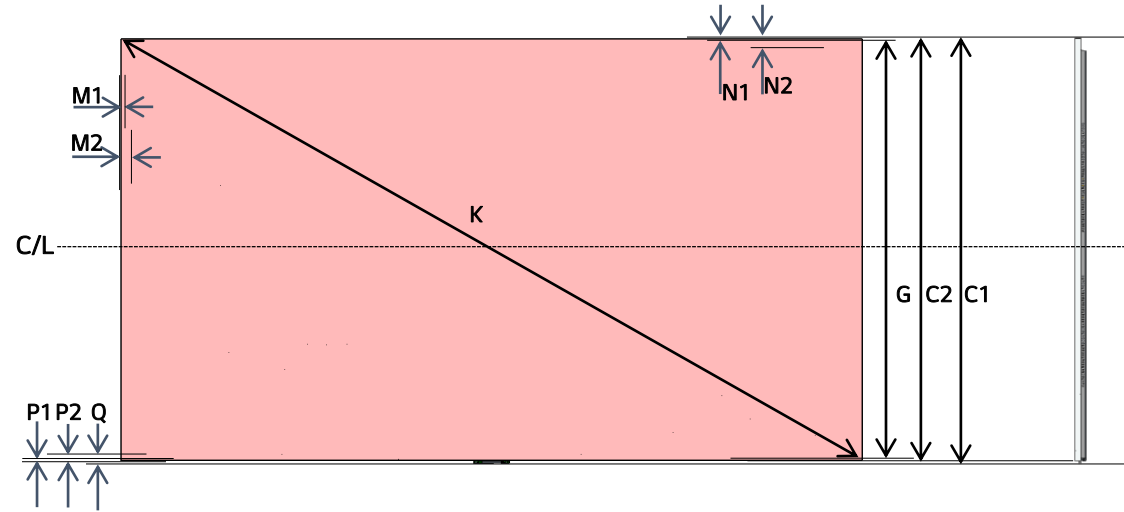
FRONT & STAND (UNIT: mm)	55"	65"	77"	83"	Remark
A (Set Width : W)	1222	1441	1712	1847	W/O Stand
B1 (Head Speaker Part Depth : D)	27.2	24.3	24.8	28.0	
D (Depth, Including Stand)	245	245	321	321	With Stand
E (Height, Including Stand)	757	878	1039	1115	
B2 (Head, thickest depth : Wall mount surf.)	27.2	24.3	24.8	28.0	
B3 (Head, slimmest depth)	13.6	13.6	13.6	13.6	
F (Cabinet, inside horizontal length)	1220	1439	1710	1845	
H (Stand, horizontal outer length)	428	428	501	501	
J (Head, front end ↔ Stand, front end)	60	63	116	113	
R (Module Center ↔ Stand bottom)	409	471	552	590	



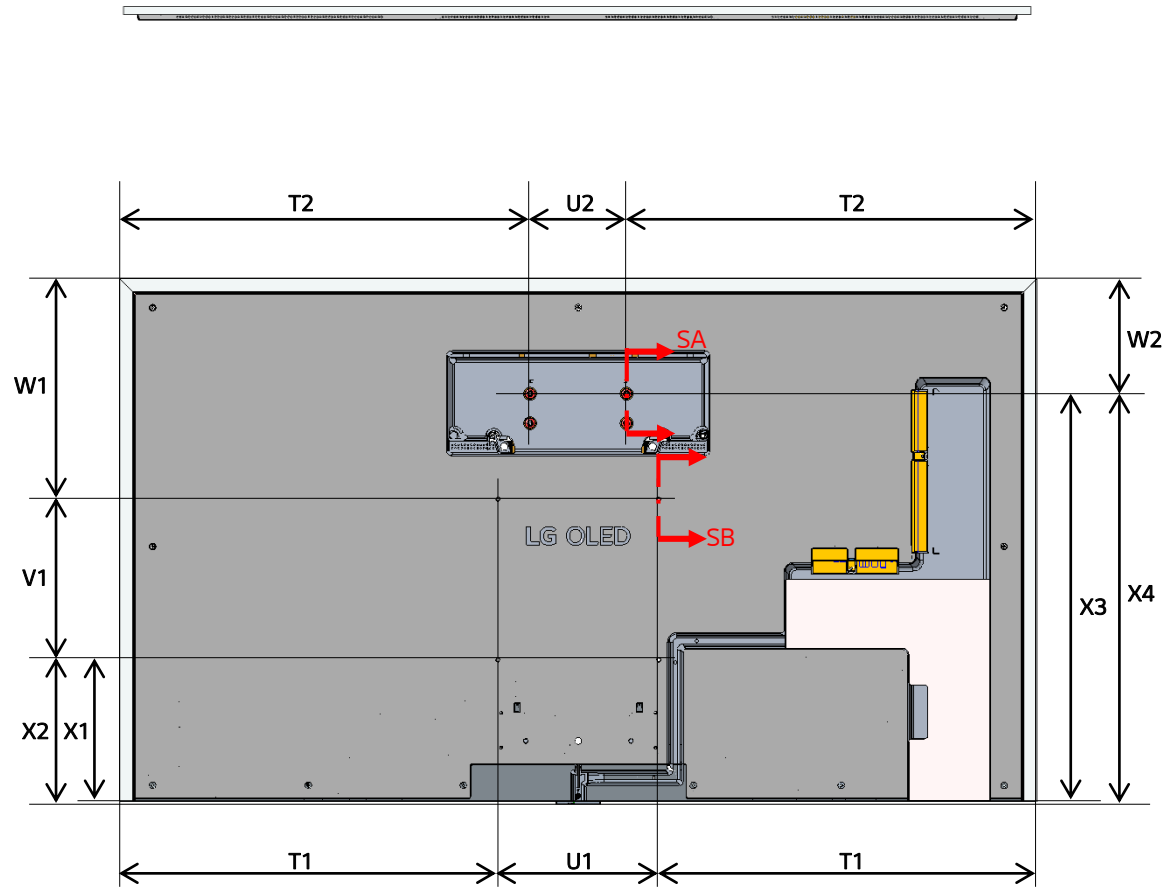
2. Line Drawing

2-2. Front & Side View (Head Only)

FRONT & STAND (UNIT: mm)	55"	65"	77"	83"	Remark
C1 (Head height, Including protrusion: H)	703	826	982	1057	W/O Stand
C2 (Head height, Excluding protrusion)	698	821	976	1052	
G (Cabinet, inside vertical length)	696	819	974	1050	
K (Cabinet, inside diagonal length)	1404	1656	1968	2123	
M1 (Set, L/R Off Bezel)	1.5	1.5	1.5	1.5	
M2 (Set, L/R On Bezel)	6.2	6.2	7.1	10.3	
N1 (Set, Top Off Bezel)	1.5	1.5	1.5	1.5	
N2 (Set, Top On Bezel)	6.2	6.2	7.0	10.2	
P1 (Set, Bottom Off Bezel)	1.5	1.5	1.5	1.5	
P2 (Set, Bottom On Bezel)	11.1	11.1	14.5	14.2	
Q (Bottom On Bezel, Including protrusion)	16.5	16.5	20.5	19.6	

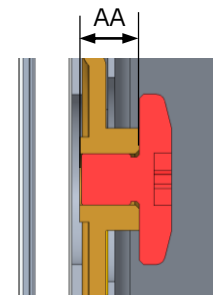


2. Line Drawing 2-3. Back & Side View

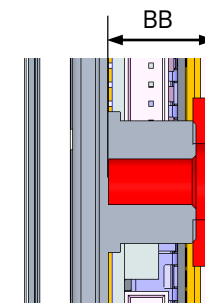


BACK (UNIT: mm)	55"	65"	77"	83"
T1 (Set Out ↔ Wall mount hole)	461	570	706	724
U1 (Wall mount Top Width)	300	300	300	400
V1 (Wall mount Height)	200	300	300	400
W1 (Set Top ↔ Wall mount hole)	376	307	412	387
X1 (Set Bottom ↔ Wall mount hole)	122	214	265	265
X2 (Set Max Bottom ↔ Wall mount hole)	127	219	270	270
T2 (Set Out ↔ Wall mount hole)	521	630	766	834
U2 (Wall mount Top Width)	180	180	180	180
W2 (Set Top ↔ Wall mount hole)	116	150	215	256
X3 (Set Bottom ↔ Wall mount hole)	582	671	761	796
X4 (Set Max Bottom ↔ Wall mount hole)	587	676	767	801
AA (VESA Pemnut, Screw tap depth)	7.0	7.0	7.0	7.0
BB (VESA Pemnut, Screw tap depth, including B/C Thickness)	13.2	11.4	13.8	13.5

Section "SA"



Section "SB"



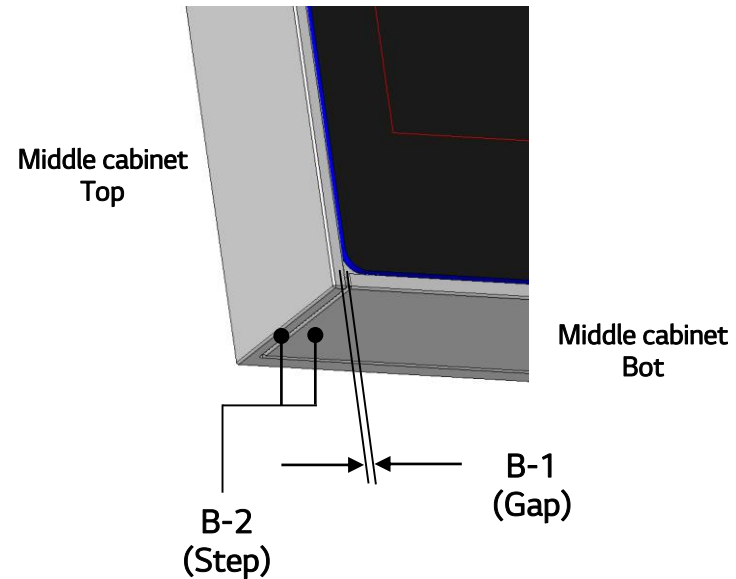
3-3-2. Wall mount (Apply VESA option)

Inch	VESA (mm)
55	300*200
65	300*300
77	300*300
83	400*400

6. Mechanical Special Appearance Control Spec

6-2. Middle cabinet top + Middle cabinet bottom

구역	Spec.	Design Gap	Remark
B-1	$0 \leq B-1 \leq 0.5$	0.1mm	Middle Cabinet Top ↔ Middle Cabinet Bot Gap (2Points Bot Corner)
B-2	$ B-2 \leq 0.5$	0mm	Middle Cabinet Top ↔ Middle Cabinet Bot Step (2Points Bot Corner)

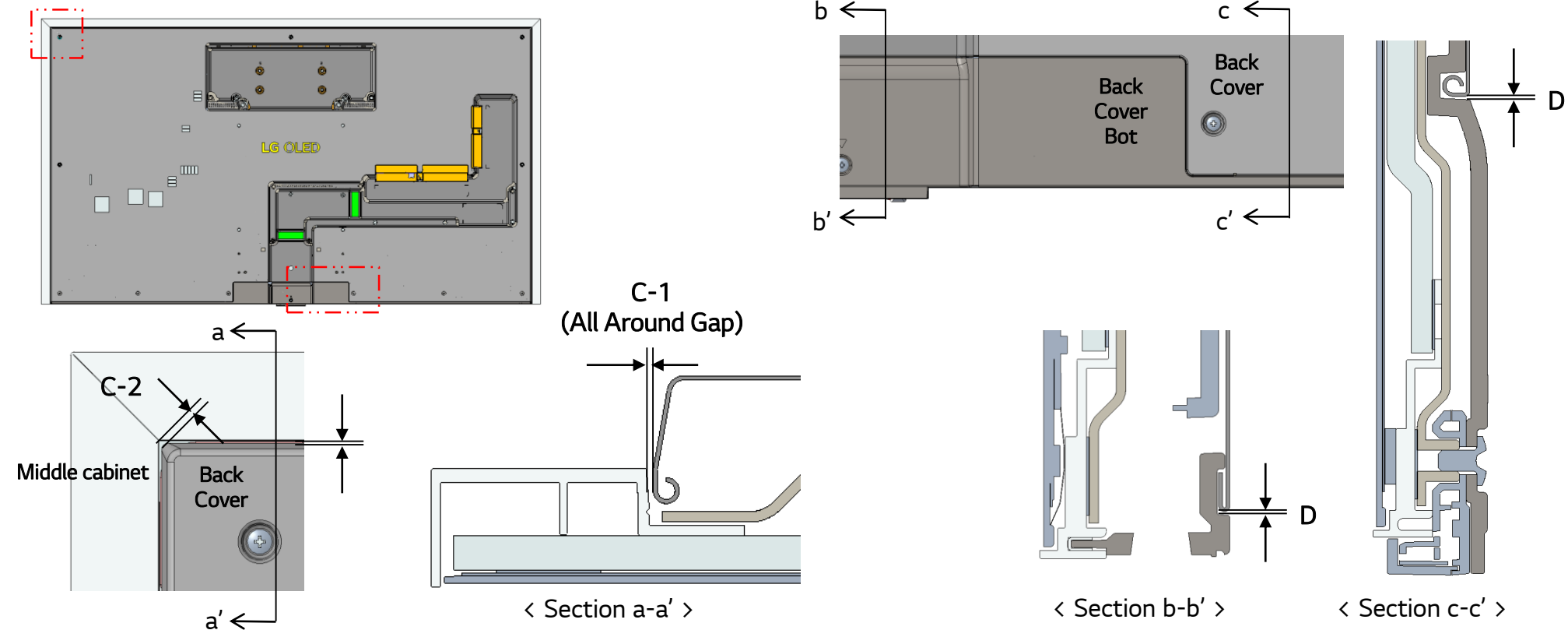


6. Mechanical Special Appearance

Control Spec

6-3. Middle cabinet + Back cover / Middle cabinet + Back cover bottom

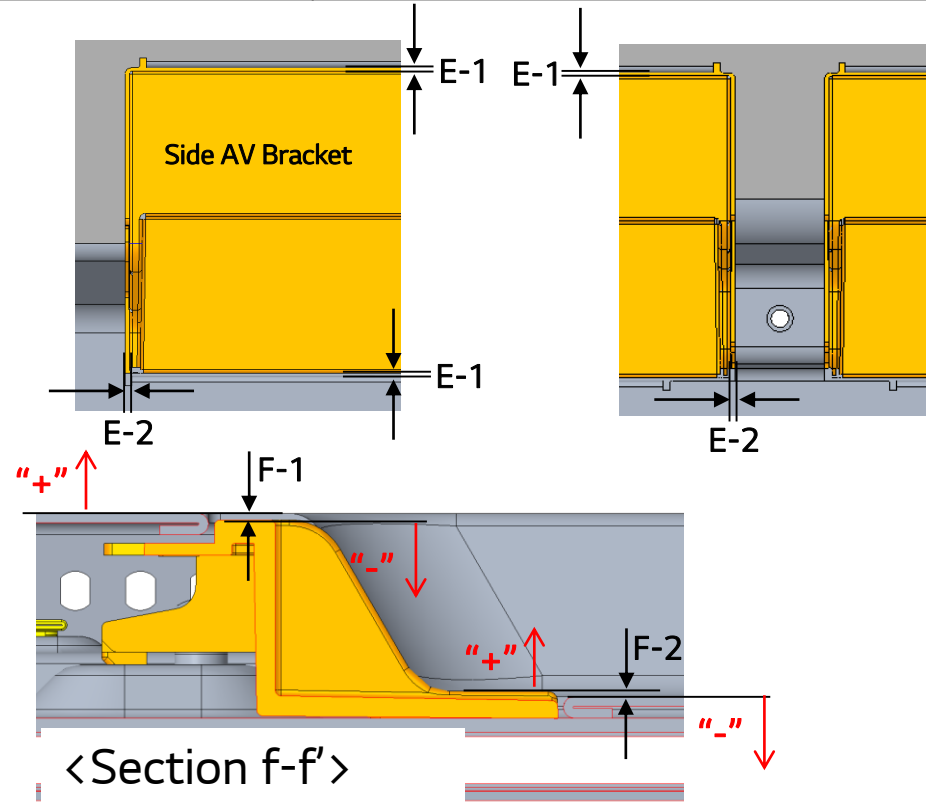
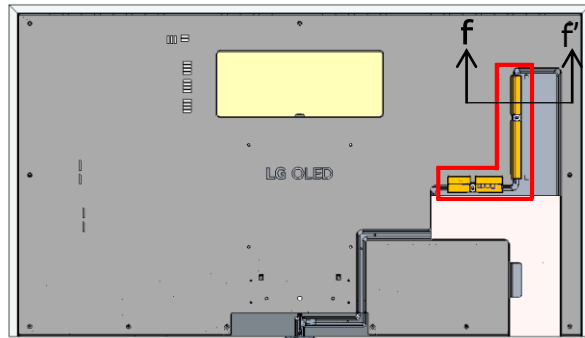
구역	Spec.	Design Gap	Remark
C-1	$0 \leq C-1 \leq 1.5$	0.5mm	Middle Cabinet ↔ Back cover Gap (All round)
C-2	$1 \leq C-2 \leq 3$	1.7mm	Middle Cabinet ↔ Back cover Gap (2Points, Top Corner)
D	$0 \leq D \leq 1.5$	0.5mm	Middle Cabinet ↔ Back cover Bot Gap (All round)



6. Mechanical Special Appearance Control Spec

6-4. Back Cover + Side AV Bracket

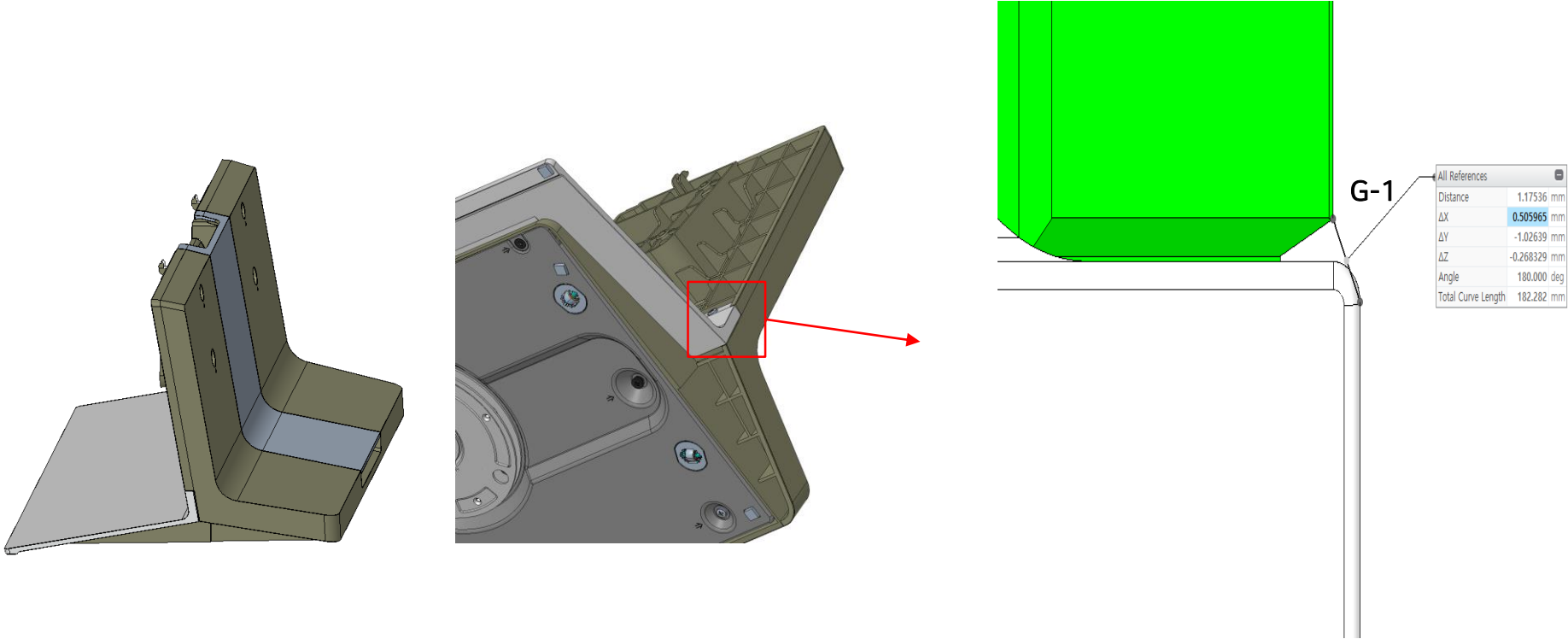
구역	Spec.	Design Gap	Remark
E-1	$0 \leq E-1 \leq 1.5$	0.5mm	Back cover ↔ Side AV Bracket Gap
E-2	$0 \leq E-2 \leq 1.5$	0.7mm	Back cover ↔ Side AV Bracket Gap
F-1	$-1.0 \leq F-1 \leq 1.0$	0mm	Back cover ↔ Side AV Bracket Step
F-2	$-0.8 \leq F-2 \leq 0.7$	0.2mm	Back cover ↔ Side AV Bracket Step



6. Mechanical Special Appearance Control Spec

6-5. Stand front base + Stand body top

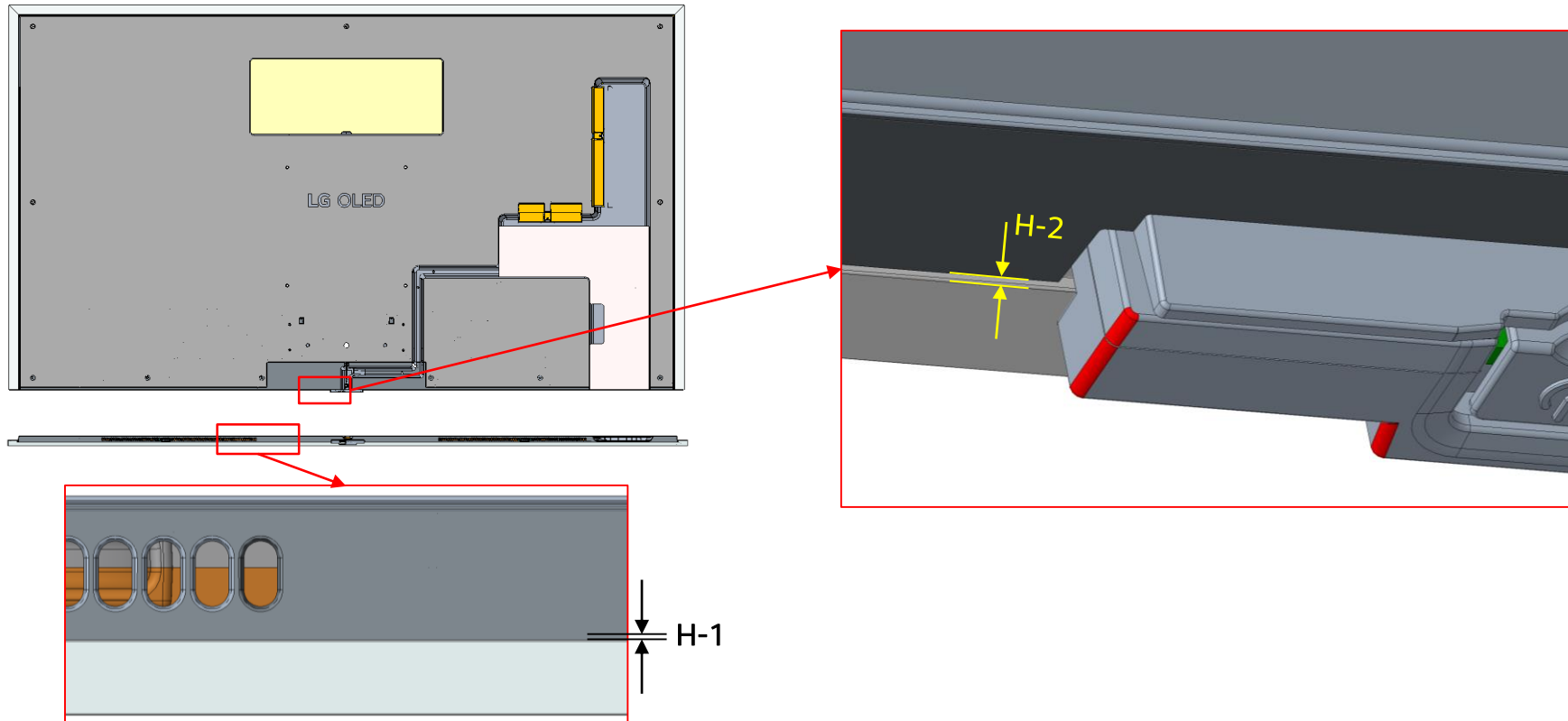
구역	Spec.	Design Gap	Remark
G-1	$0.2 \leq G-1 \leq 1.0$	0.5mm	Stand Front Base ↔ Stand Body Top : Step(L/R Side)



6. Mechanical Special Appearance Control Spec

6-6. Back cover bottom + Middle cabinet

구역	Spec.	Design Gap	Remark
H-1	$0 \leq H-1 \leq 1.5$	0mm	Back cover bottom ↔ Middle cabinet Gap
H-2	$-1.0 \leq H-2 \leq 1.0$	0.5mm	Back cover bottom ↔ Middle cabinet Step

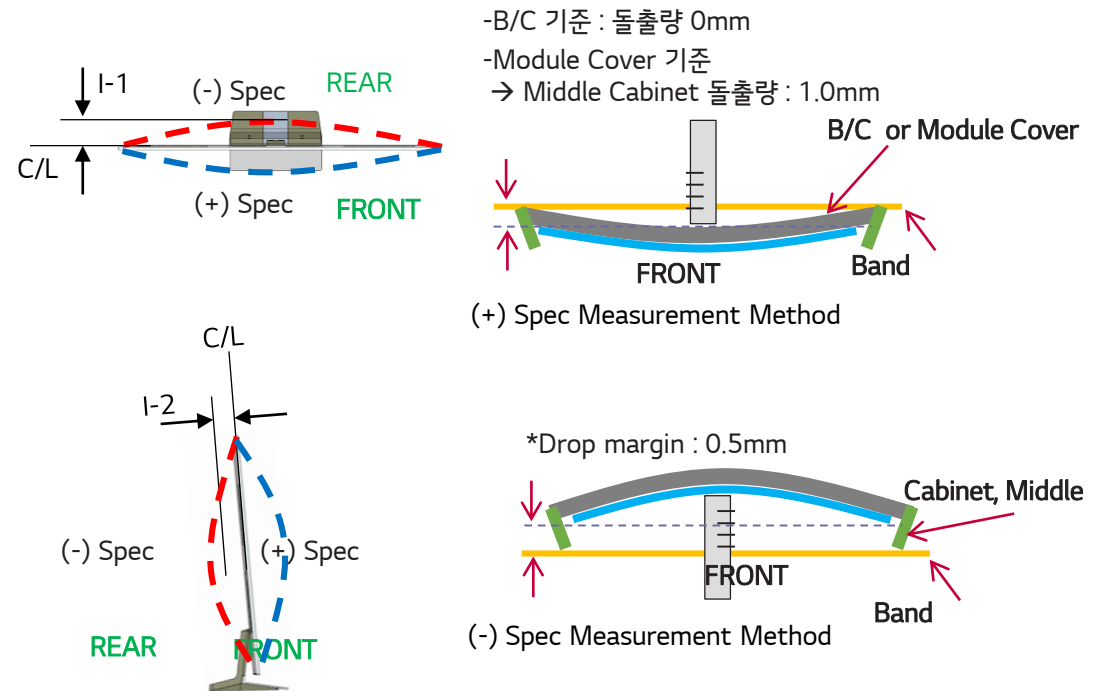
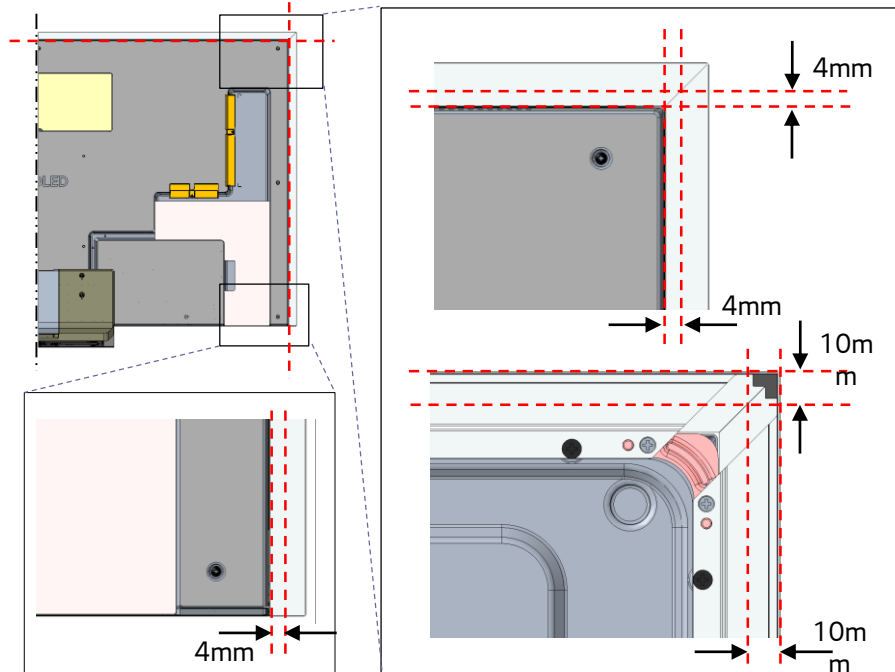


6. Mechanical Special Appearance Control Spec

6-7. Bending Spec (Head/Module)

구역	Spec.	Design Gap	Remark
I-1	55" : $-2.0 \leq I-1 \leq 2.0$ 65" : $-2.5 \leq I-1 \leq 2.5$ 77" : $-4.0 \leq I-1 \leq 4.0$ 83" : $-4.5 \leq I-1 \leq 4.5$	0mm	Horizontal Direction (-) Spec : Measurement-Drop margin (+) Spec : Measurement
I-2	55"/65" : $-2.0 \leq I-2 \leq 2.0$ 77" : $-3.0 \leq I-2 \leq 3.0$ 83" : $-3.5 \leq I-2 \leq 3.5$	0mm	Vertical Direction (-) Spec : Measurement-Drop margin (+) Spec : Measurement

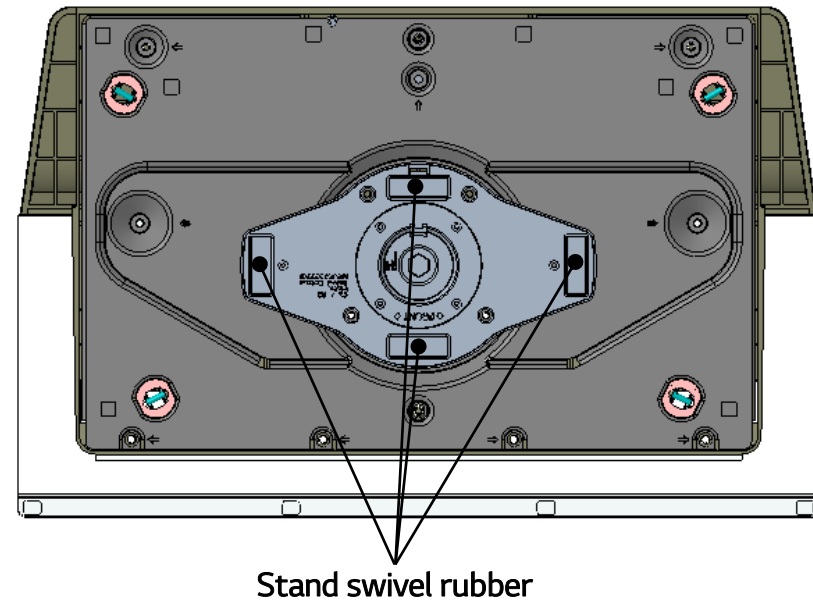
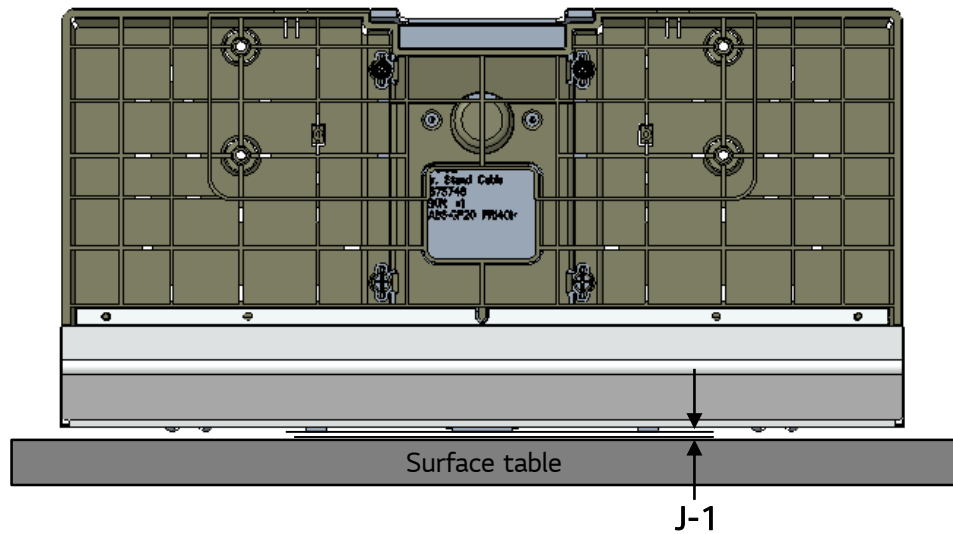
*Measurement Points



6. Mechanical Special Appearance Control Spec

6-8. Stand swivel rubber gap(flatness)

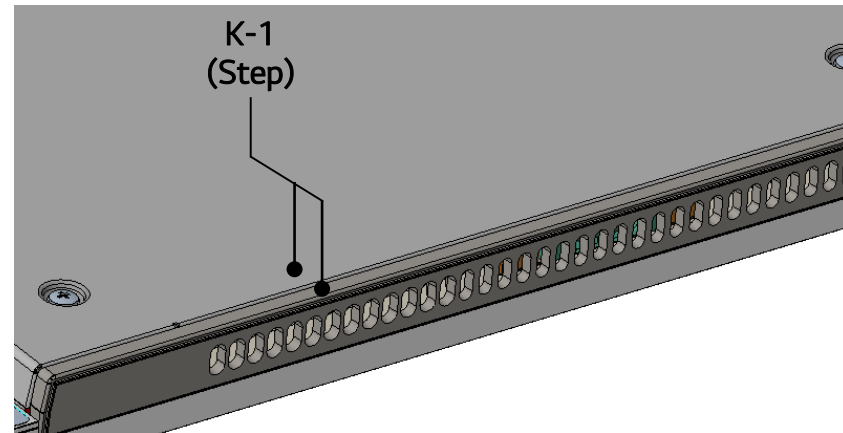
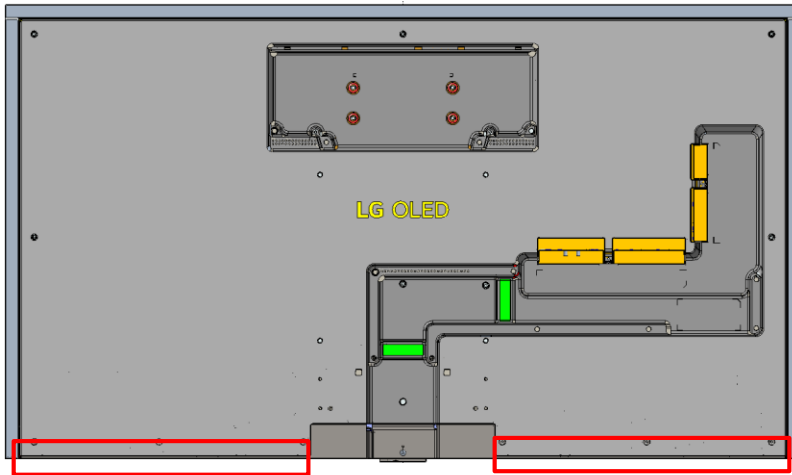
구역	Spec.	Design Gap	Remark
J-1	$J-1 \leq 0.5$	0mm	Surface table ↔ Stand swivel rubber



6. Mechanical Special Appearance Control Spec

6-9. Back Cover Bottom + Back Cover

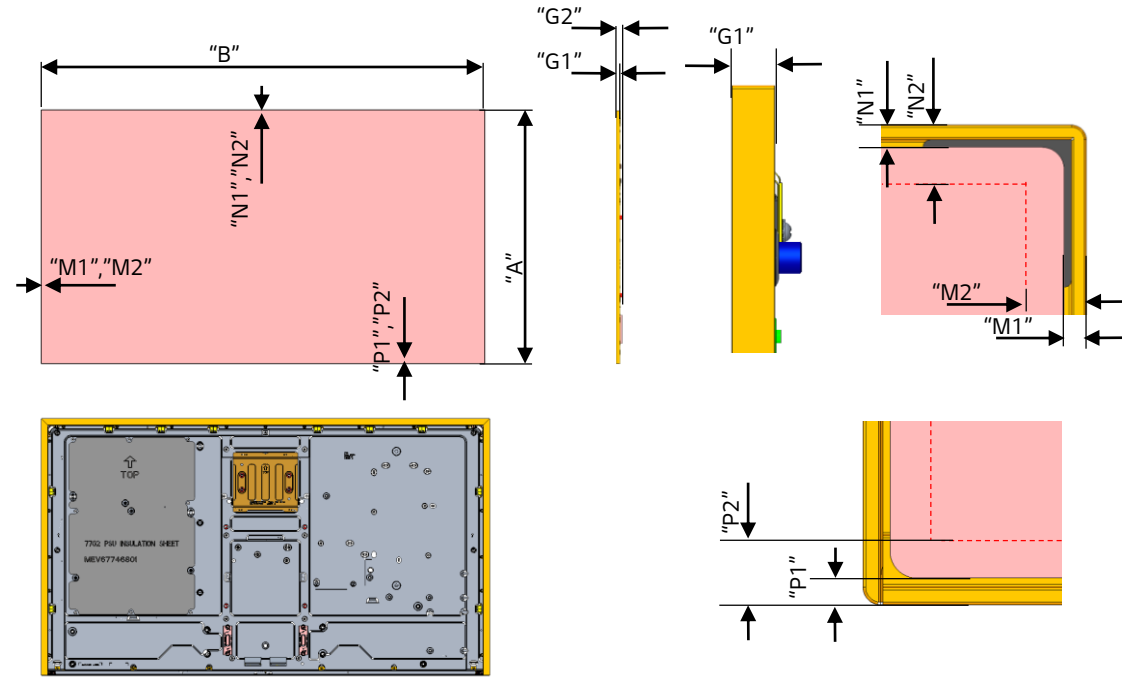
구역	Spec.	Design Gap	Remark
K-1	$0 \leq B-1 \leq 1$	0mm	Back Cover Bottom ↔ Back Cover Step



7. Module Spec. (OBMS, 55/65/77G2)

7-1. Line Drawing

Front 및 Side (UNIT: mm)	55"	65"	77"
A (height : H)	698	821	976
B (width : W)	1222	1441	1712
G1 (slimmest depth)	13.6	13.6	13.6
G2 (thickest depth)	24.8	21.4	22.4
M1 (L/R Off Bezel)	1.5	1.5	1.5
M2 (L/R On Bezel)	6.2	6.2	7.1
N1 (Top Off Bezel)	1.5	1.5	1.5
N2 (Top On Bezel)	6.2	6.2	7.0
P1 (Bottom Off Bezel)	1.5	1.5	1.5
P2 (Bottom On Bezel)	11.1	11.1	14.5



7-2. Module Information

NO	ITEM	CONTENT									UNIT	REMARK
		55"			65"			77"				
		Width	Depth	Height	Width	Depth	Height	Width	Depth	Height		
1	Module Dimension	1222	24.8	698	1441	21.4	821	1712	22.4	976	mm	W/O Packing
		1337	1094	831	1564	1094	940	1854	1110	1094	mm	With Packing (W/Box)
2	Module Weight	10.3			13.9			19.3			Kg/EA	W/O Packing
		-			-			-			Kg/Pallet	With Packing (With Pallet)
3	Container Loading Qty	40ft (H-Cubic)	704 (22EA/1BOX)		40ft (H-Cubic)	616 (22EA/1BOX)		40ft (H-Cubic)	408 (17EA/1BOX)		Set	With Packing