



kinetik

ASSEMBLY INSTRUCTIONS  
UST PROJECTOR CABINET



Cover Image: Centre unit shown in Graphite Denver Oak  
Optional side units shown in Graphite Denver Oak  
with Soft Black doors.

Thank you for purchasing the Kinetik UST Projector Cabinet which has not only been designed specifically for your UST projector but also with easy assembly in mind.

This booklet provides a step by step guide to help you through the process. You may also wish to read this booklet in conjunction with the Kinetik video.

(Link to be inserted)

# kinetik

**Kinetik Labs Ltd distributed by:**

**AWE Europe LTD**  
Alexander House  
3A Blenheim Road  
Epsom  
Surrey  
KT19 9AP  
United Kingdom

**Phone**  
+44 (0)1372 729 777  
  
www.awe-europe.com

### **Important Note:**

This unit is not suitable as a seat or to stand on

Side Units - Max load for top & bottom shelf: 30KG  
- Max load for internal shelves: 10KG

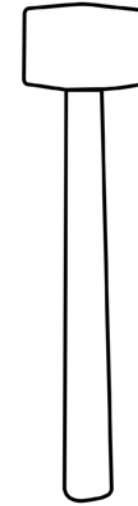
Centre Unit - Max load for top & bottom shelf: 30KG  
- Max load for soundbar shelf: 20KG



## Index

How the fixings work	6 - 7
How the panels connect	9
Center unit construction	10 - 17
Side unit construction	18 - 27
How to adjust the hinges	26

## Tools Required



Rubber Mallet  
(Supplied)



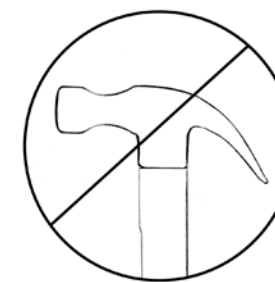
PZ #2 Driver bit  
(Supplied)



PZ #2 Screwdriver  
(Not supplied)

\*Note: Please do not use a metal hammer as it may result in damage to the cabinet. Only use the mallet supplied.

\*Note: If using an electric screwdriver, use lowest torque setting to avoid over tightening.

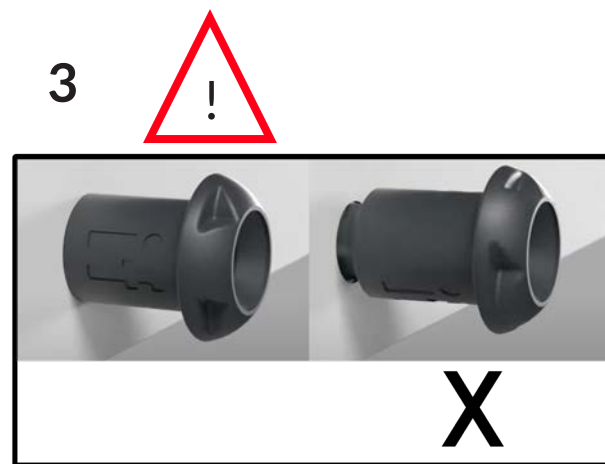
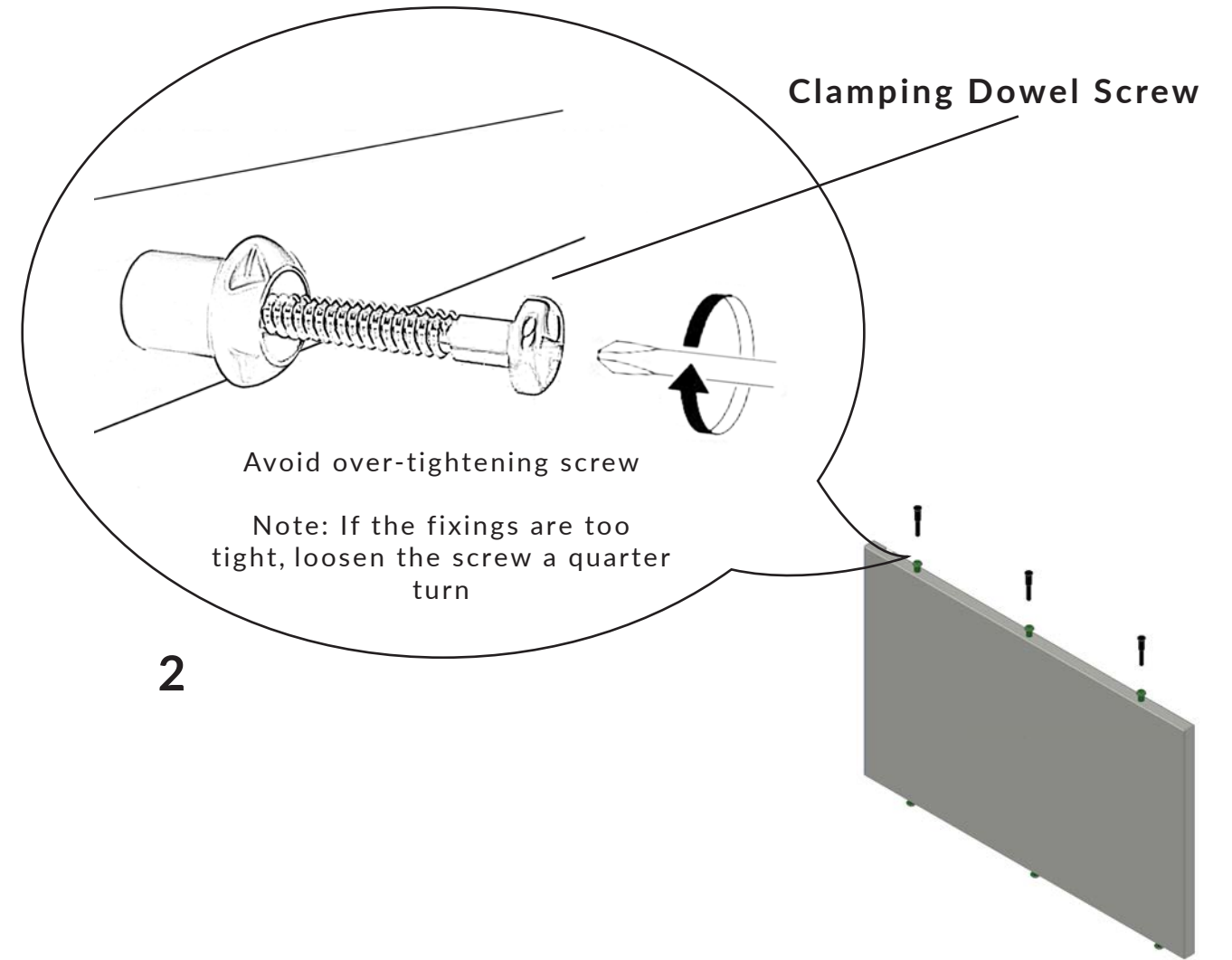
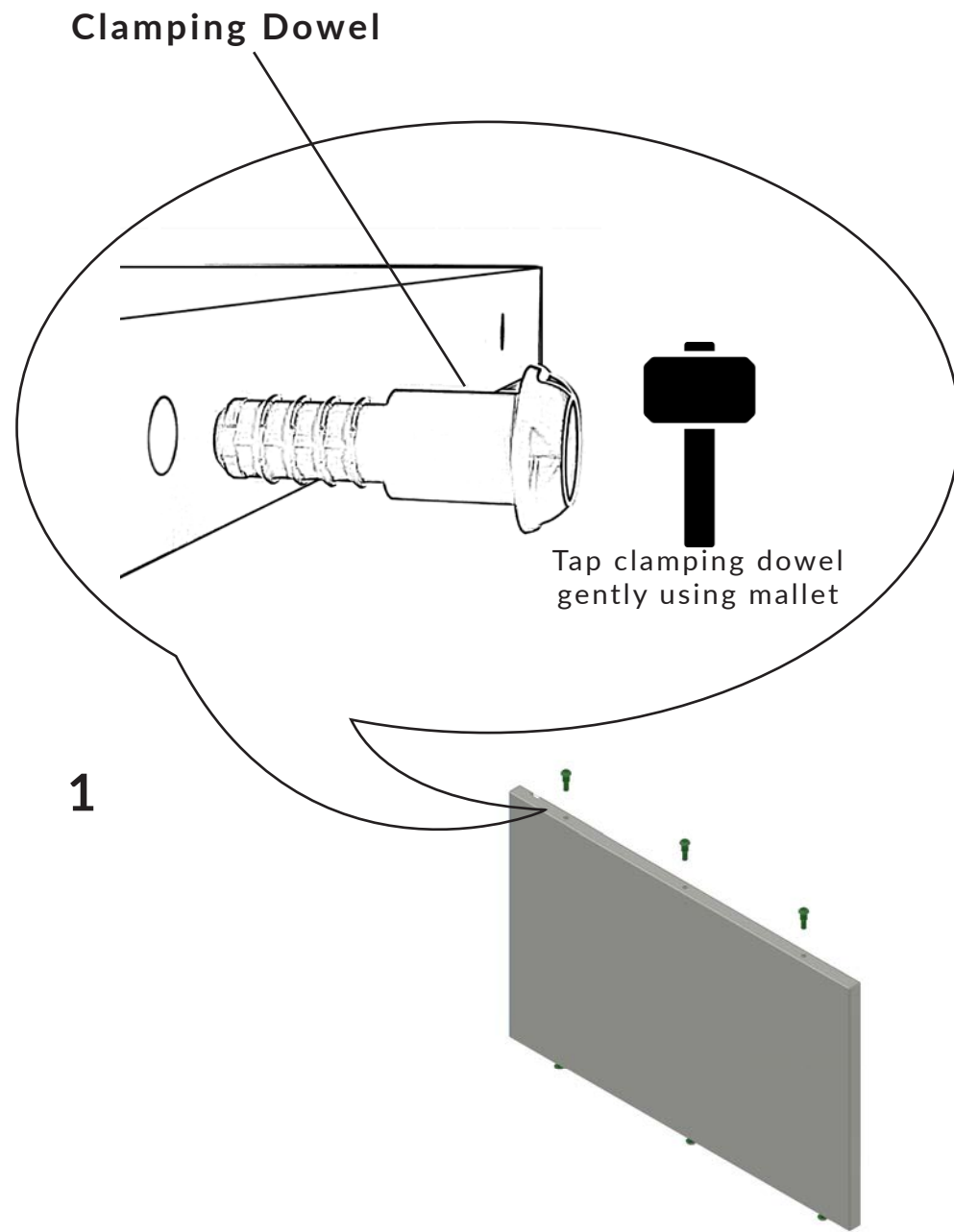


### Construction Notes:

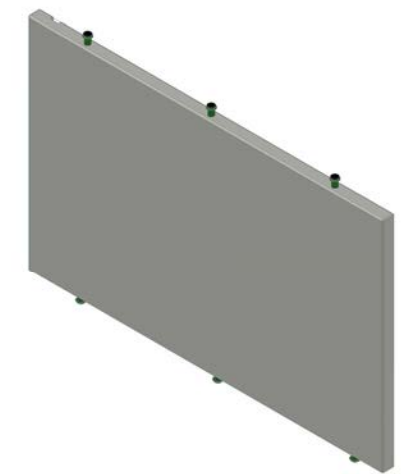
- 1) Wear gloves during construction to avoid injury when handling panels
- 2) Please leave yourself plenty of workspace to assemble
- 3) Do not build on a hard surface as this might damage the panels during construction
- 4) Whether you have the center unit only or the center + side units, the construction method is the same across all modules



### How the Fixings Work

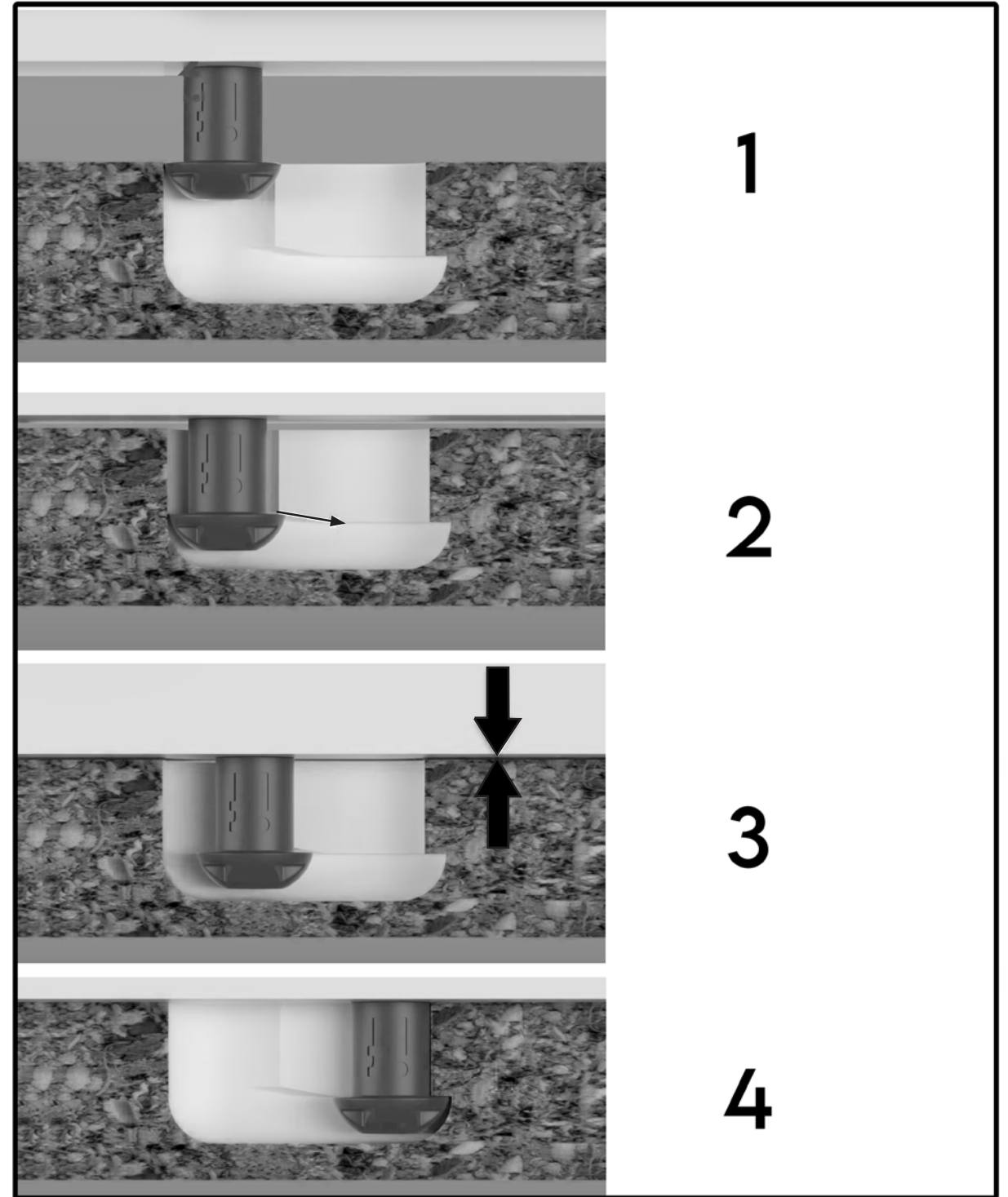


Ensure clamping dowels are completely inserted before dowel screw is screwed in



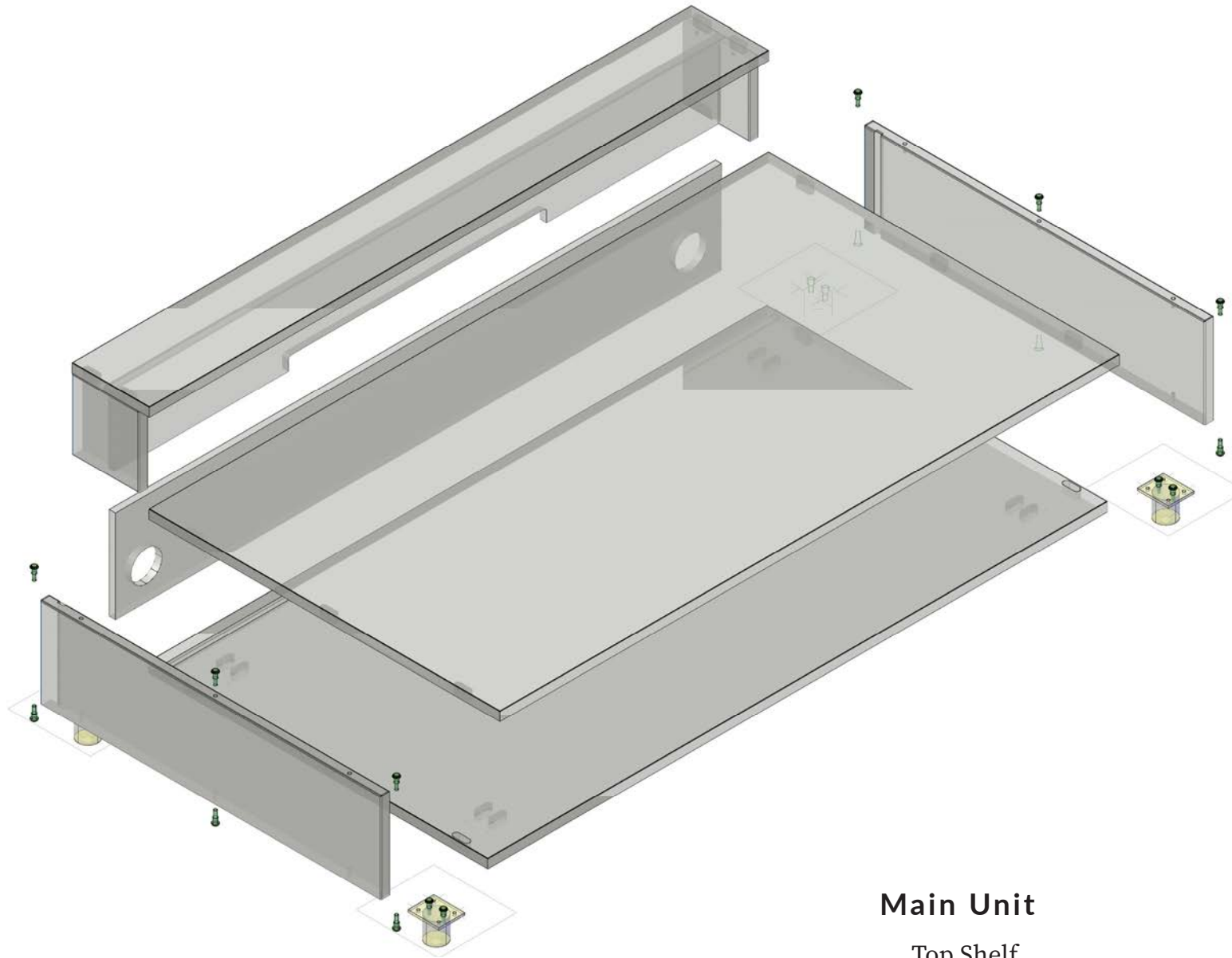


### How the Panels Connect





### Centre Unit and Soundbar Shelf Contents



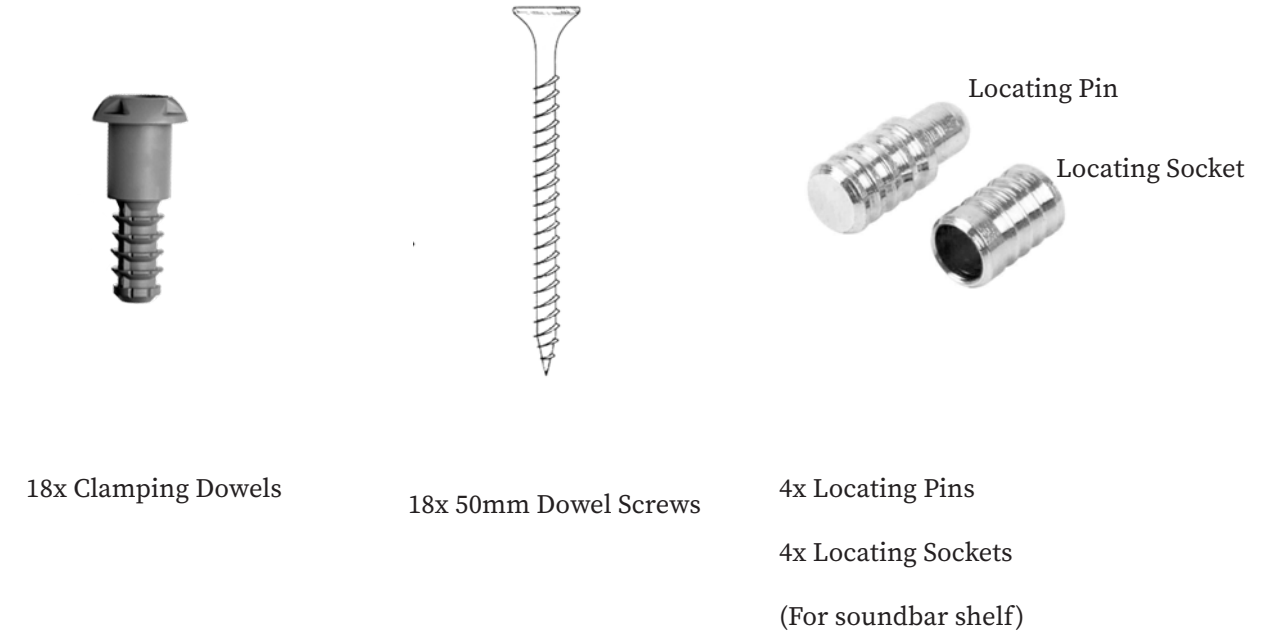
#### Soundbar Shelf

- Top Shelf
- Side Panel Left
- Side Panel Right
- Back Panel

#### Main Unit

- Top Shelf
- Bottom Shelf
- Side Panel Left
- Side Panel Right
- Middle Partition
- Back Panel

### Fixings



18x Clamping Dowels

18x 50mm Dowel Screws

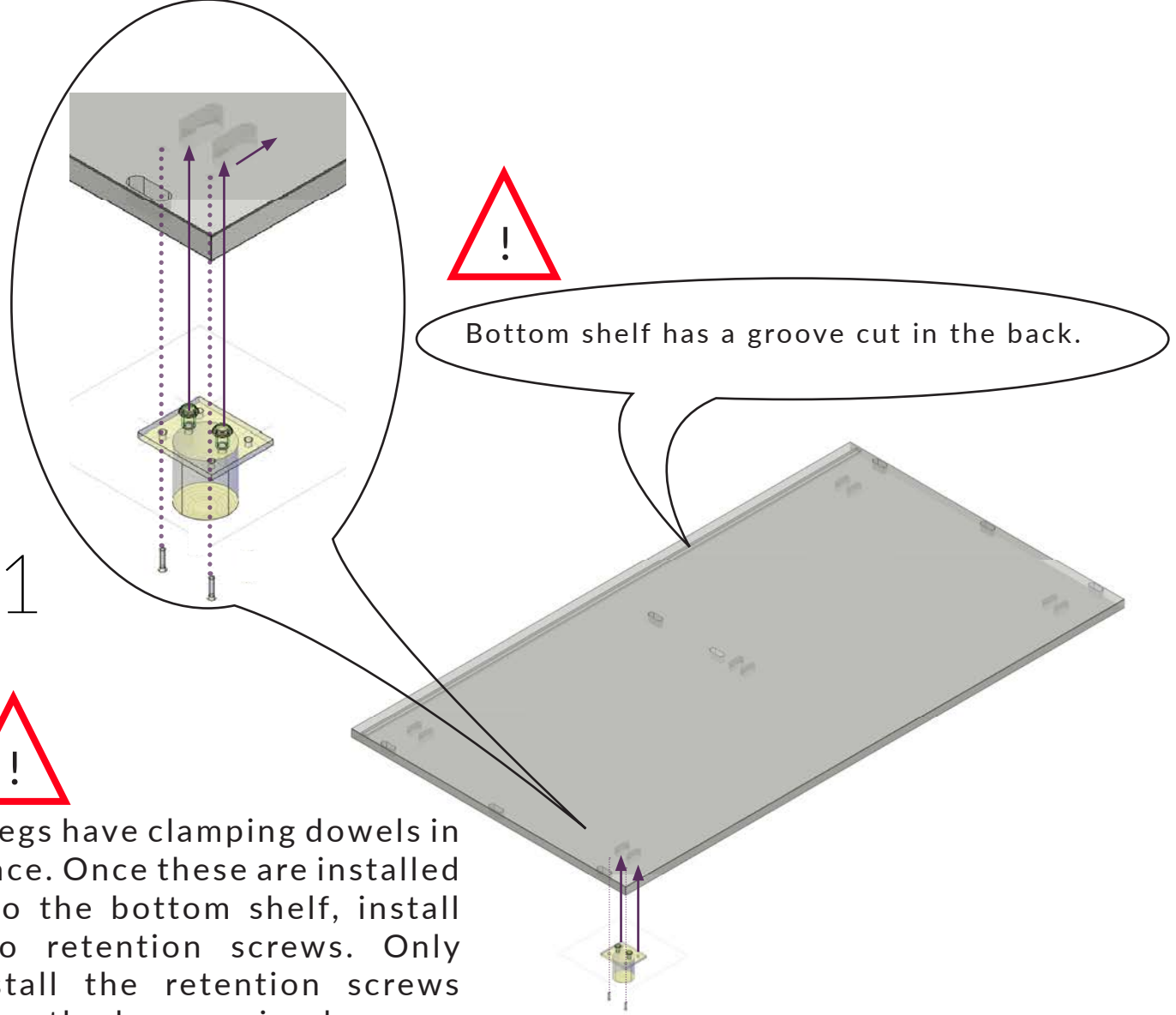
4x Locating Pins  
4x Locating Sockets  
(For soundbar shelf)



10x Retaining Screws  
(For cabinet Feet)



5x Adjustable Cabinet Feet



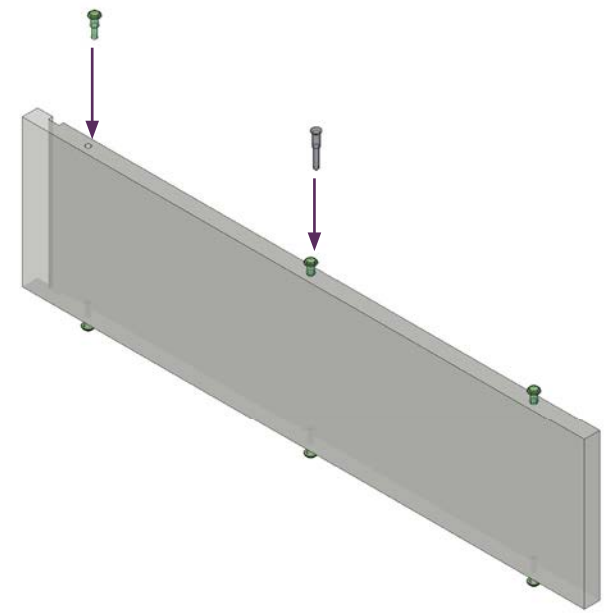
1




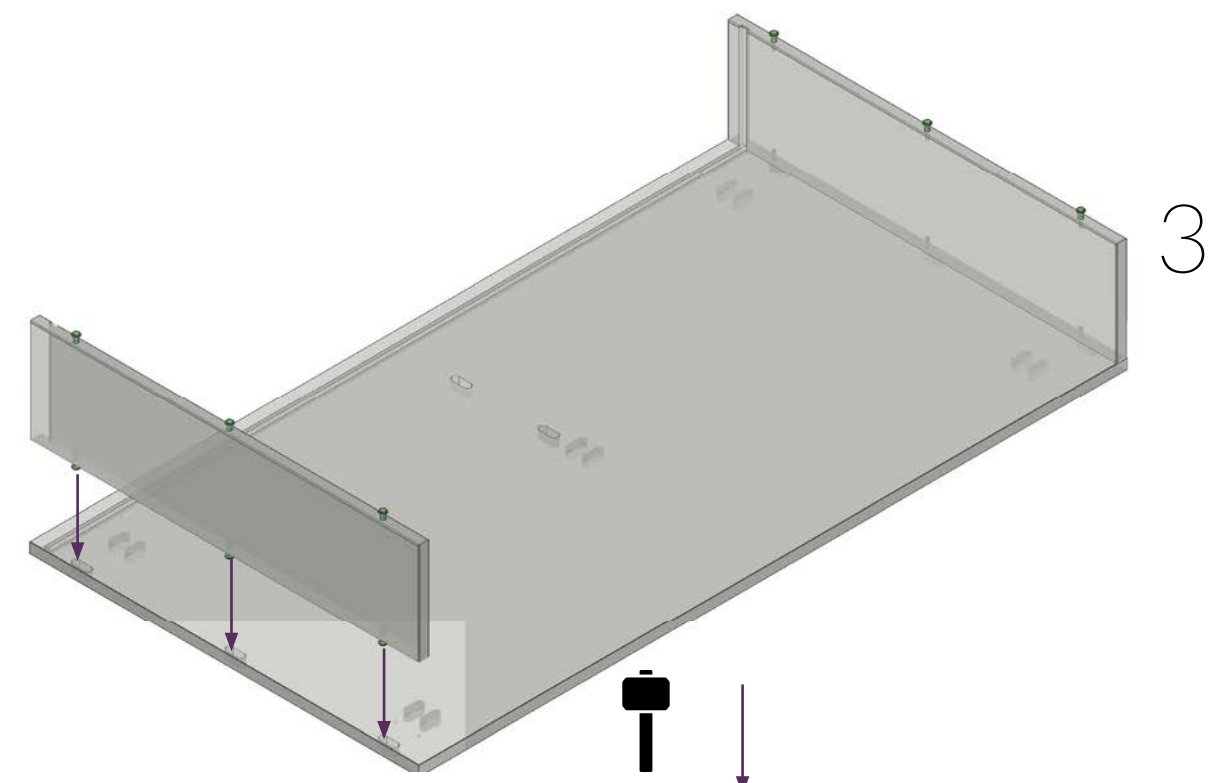
\* Legs have clamping dowels in place. Once these are installed into the bottom shelf, install two retention screws. Only install the retention screws once the legs are in place.

\*Refer to How Fixings Work

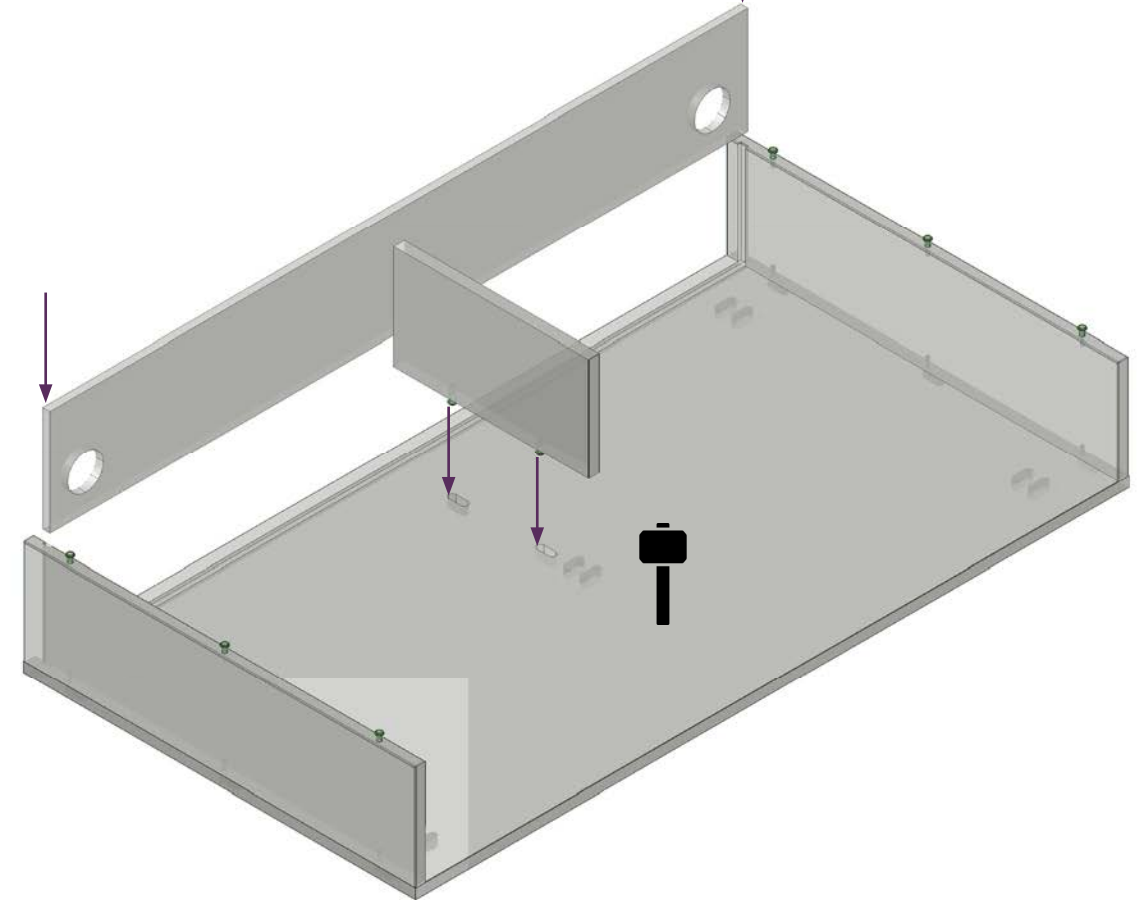
2



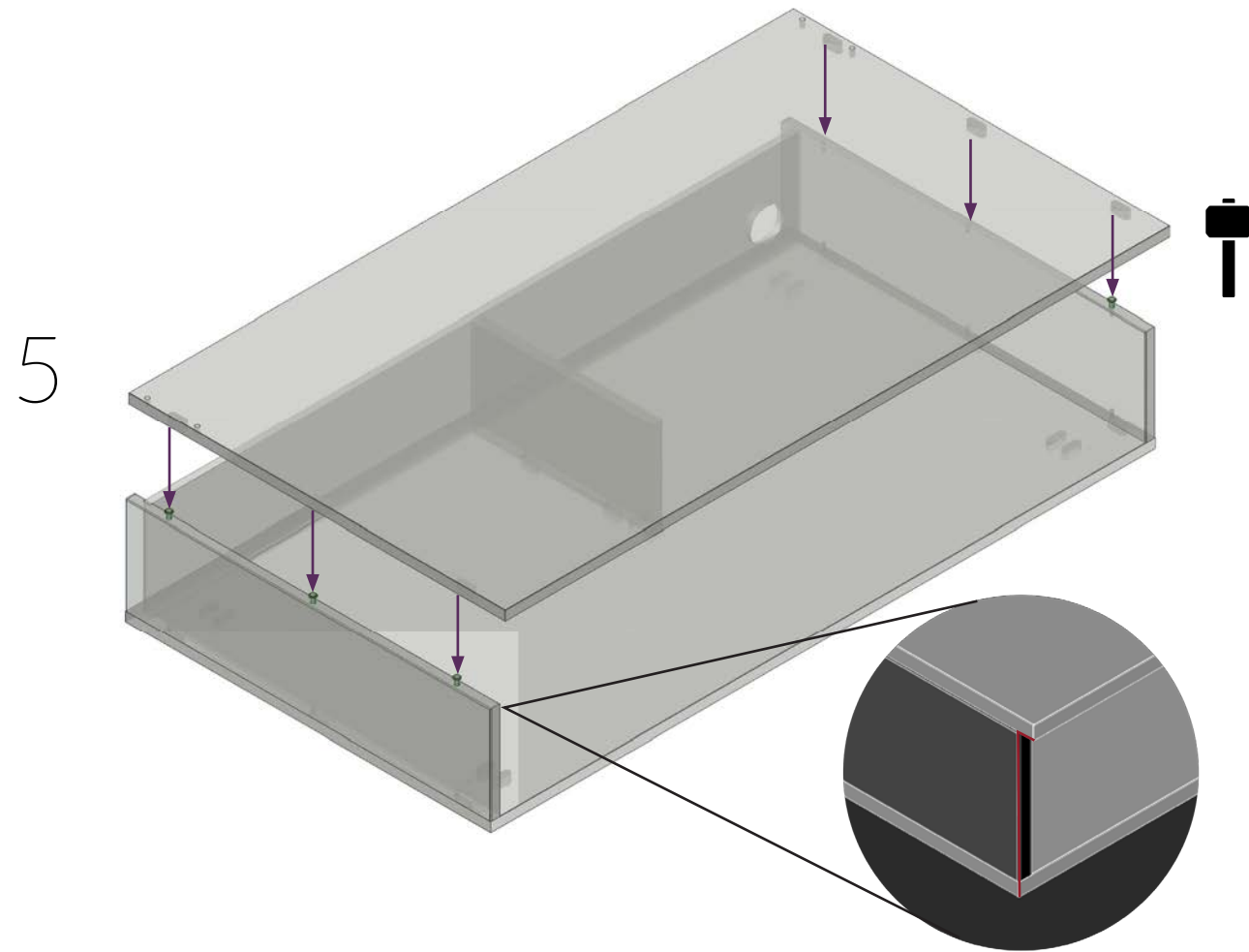
 \* Where needed, the rubber mallet can be used to tap panels into place.



3



4

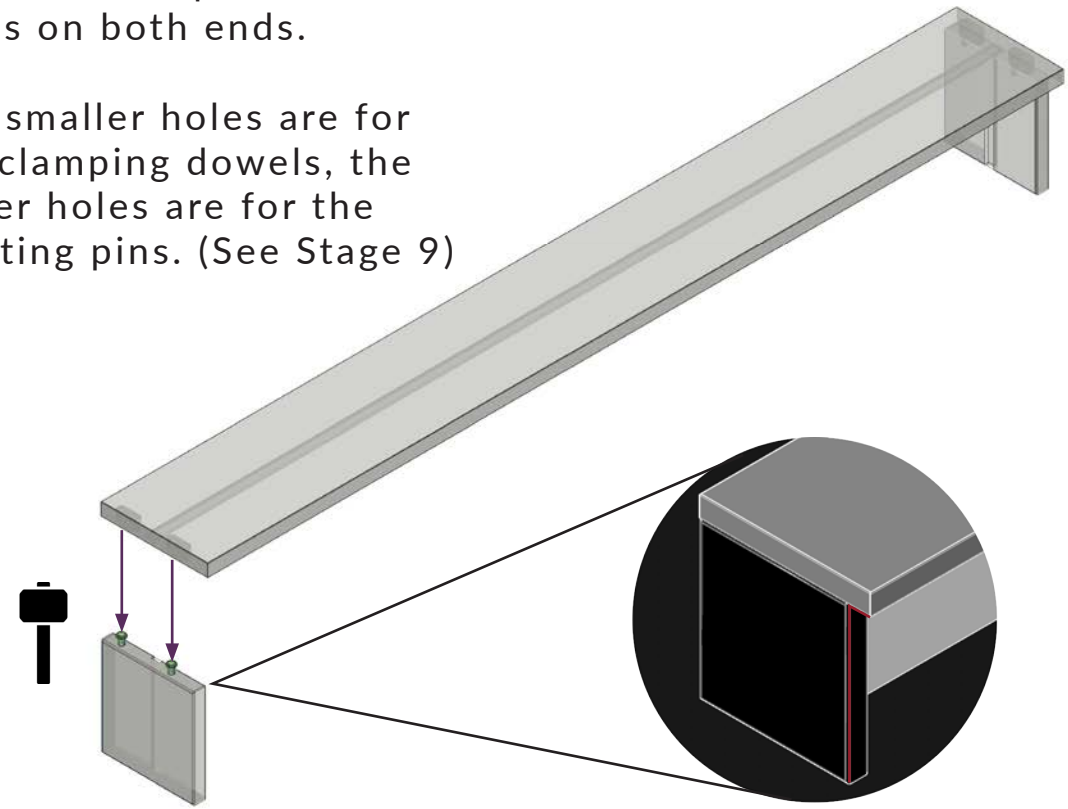


5

\* Top panel overhangs side panel when assembled.

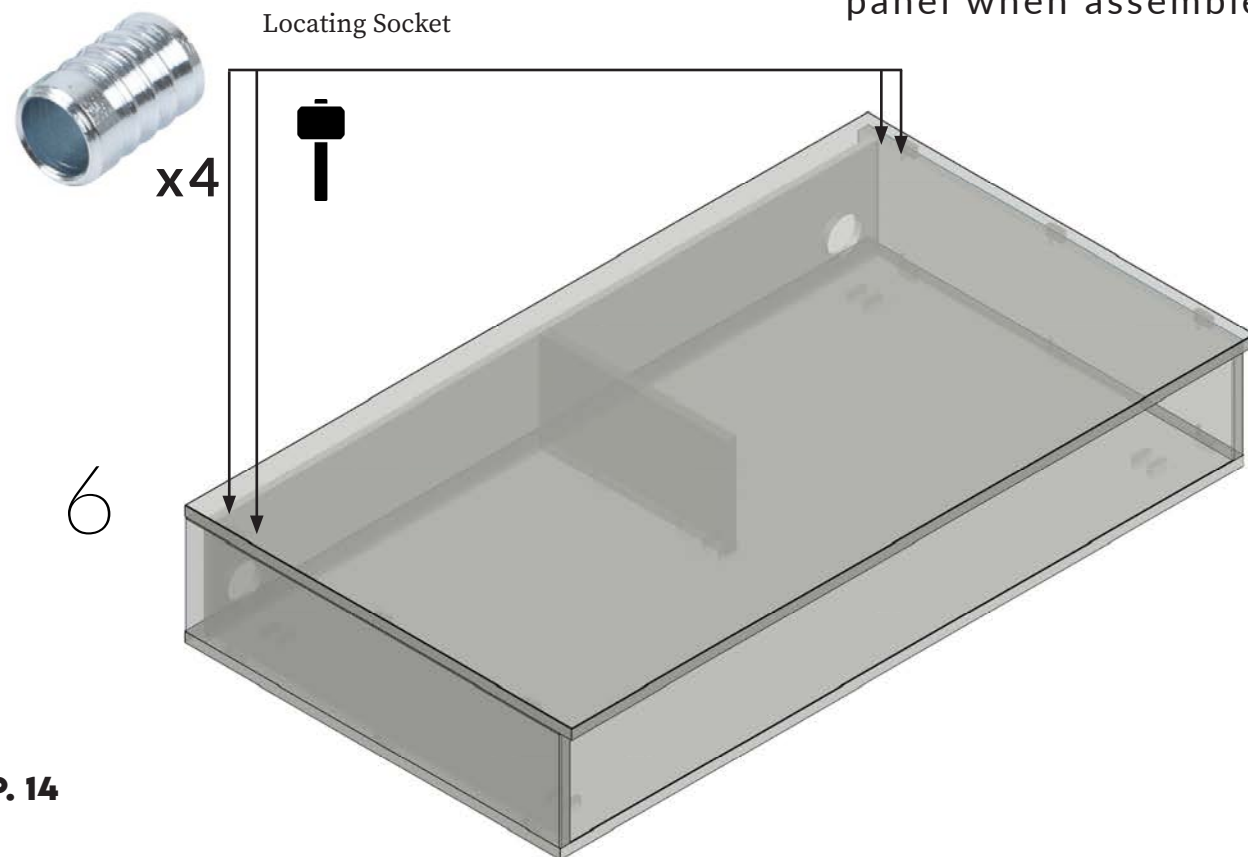
\* Note: Small panels have holes on both ends.

The smaller holes are for the clamping dowels, the larger holes are for the locating pins. (See Stage 9)

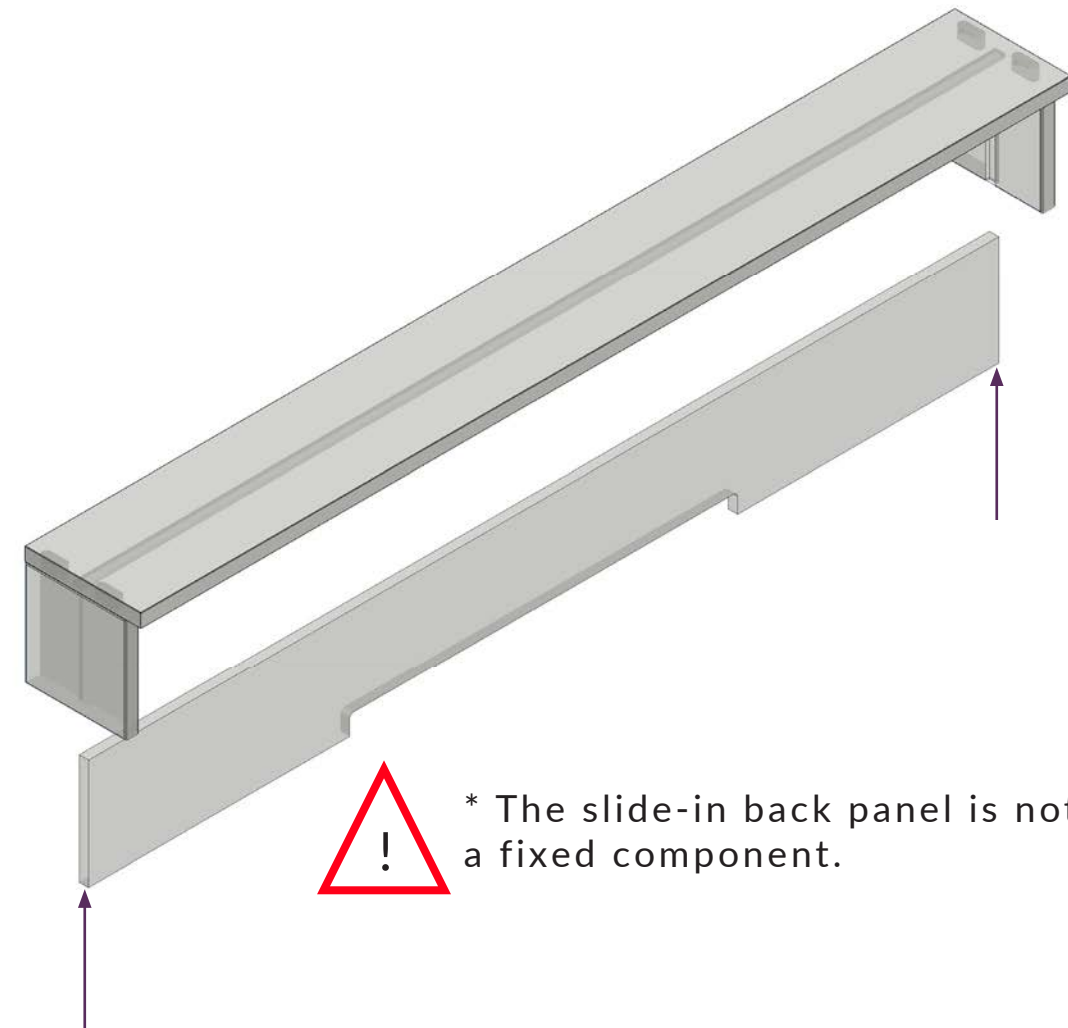


7

\* Top panel overhangs side panel when assembled.



6

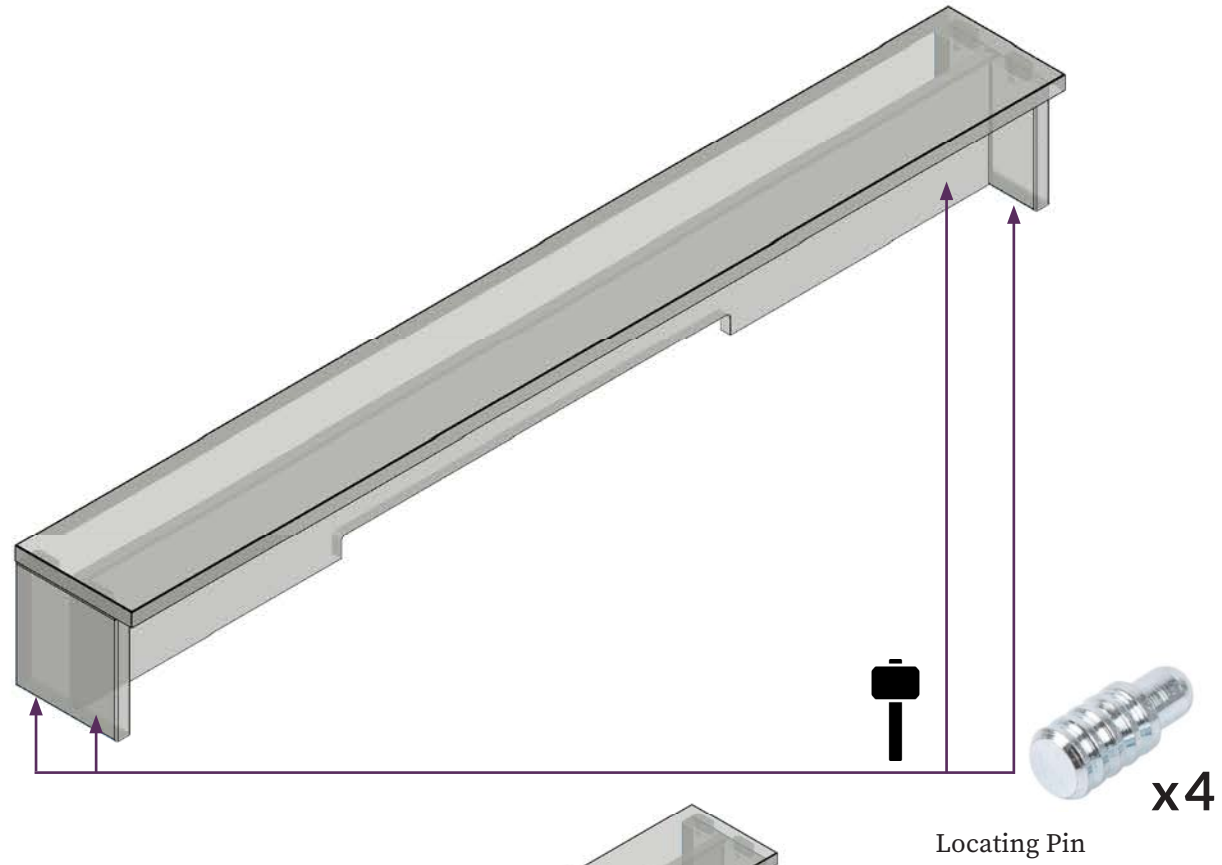


8

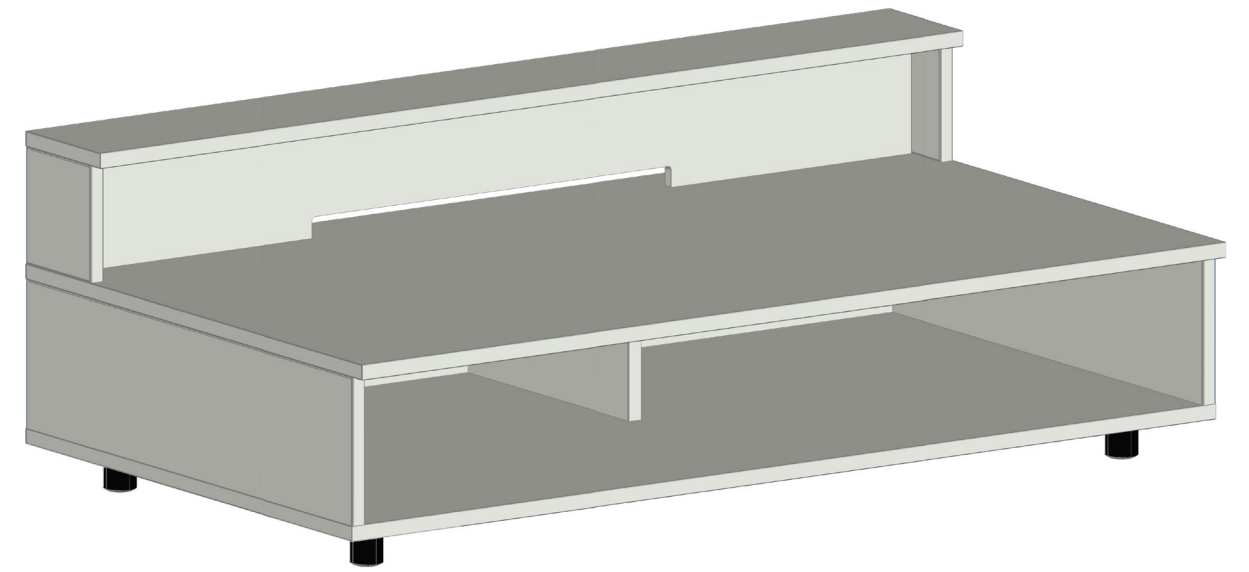
\* The slide-in back panel is not a fixed component.



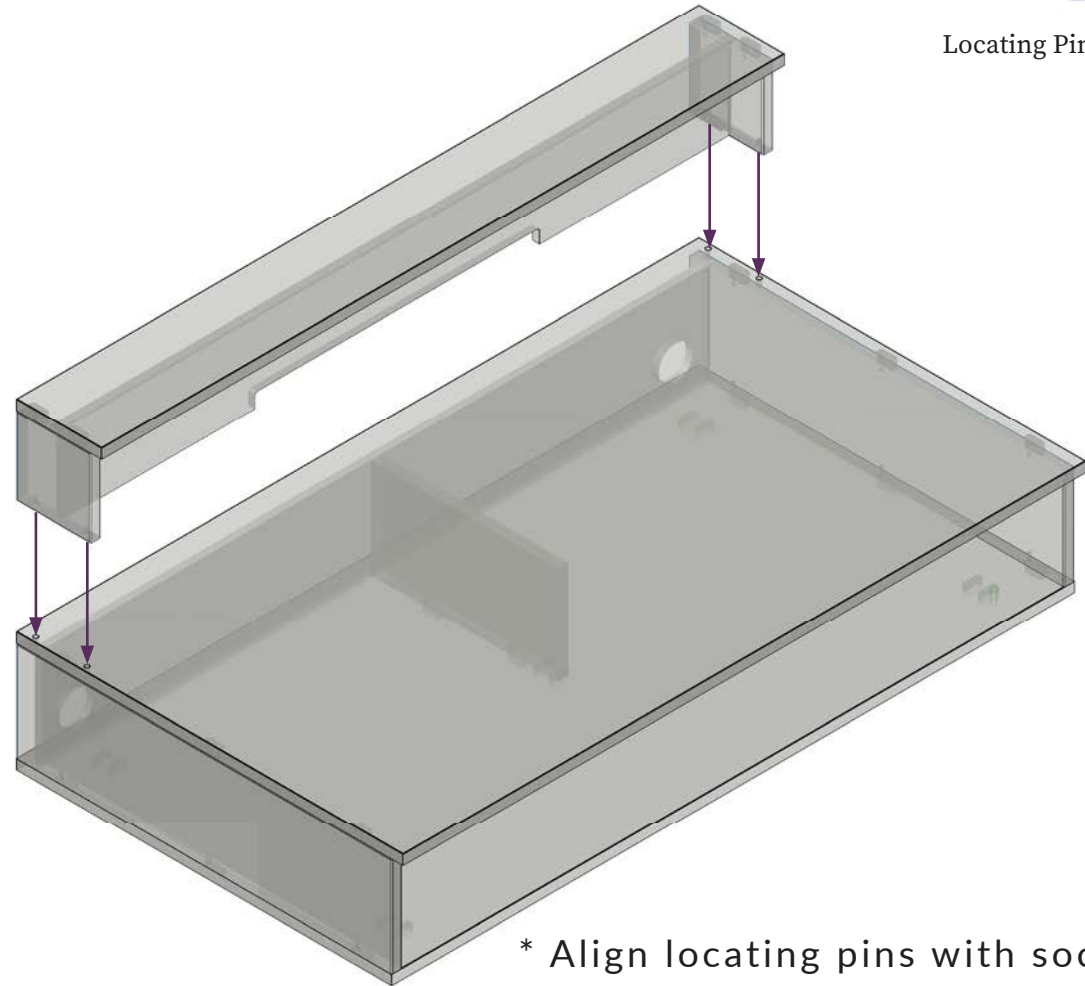
9



Completed Unit

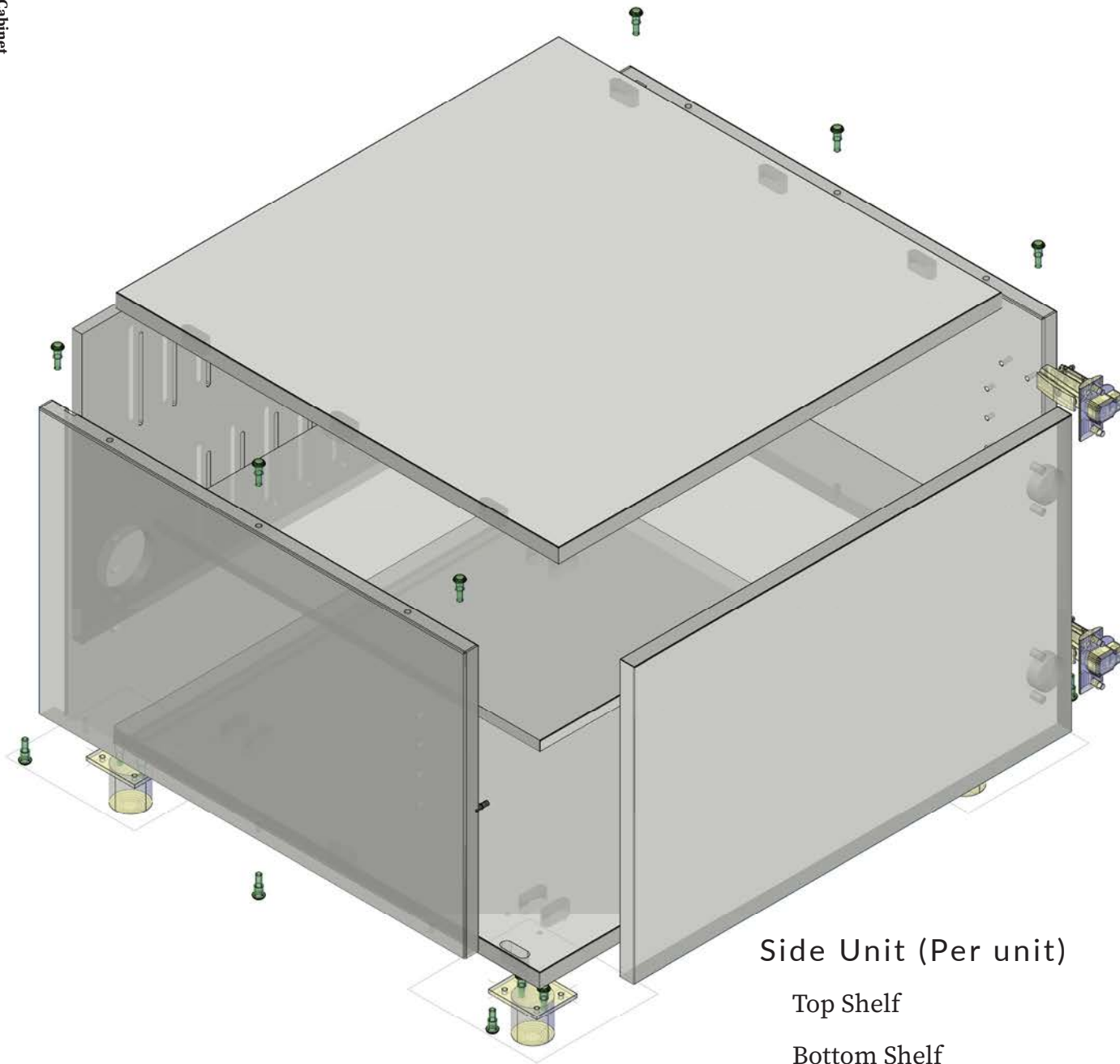


10



\* Align locating pins with sockets

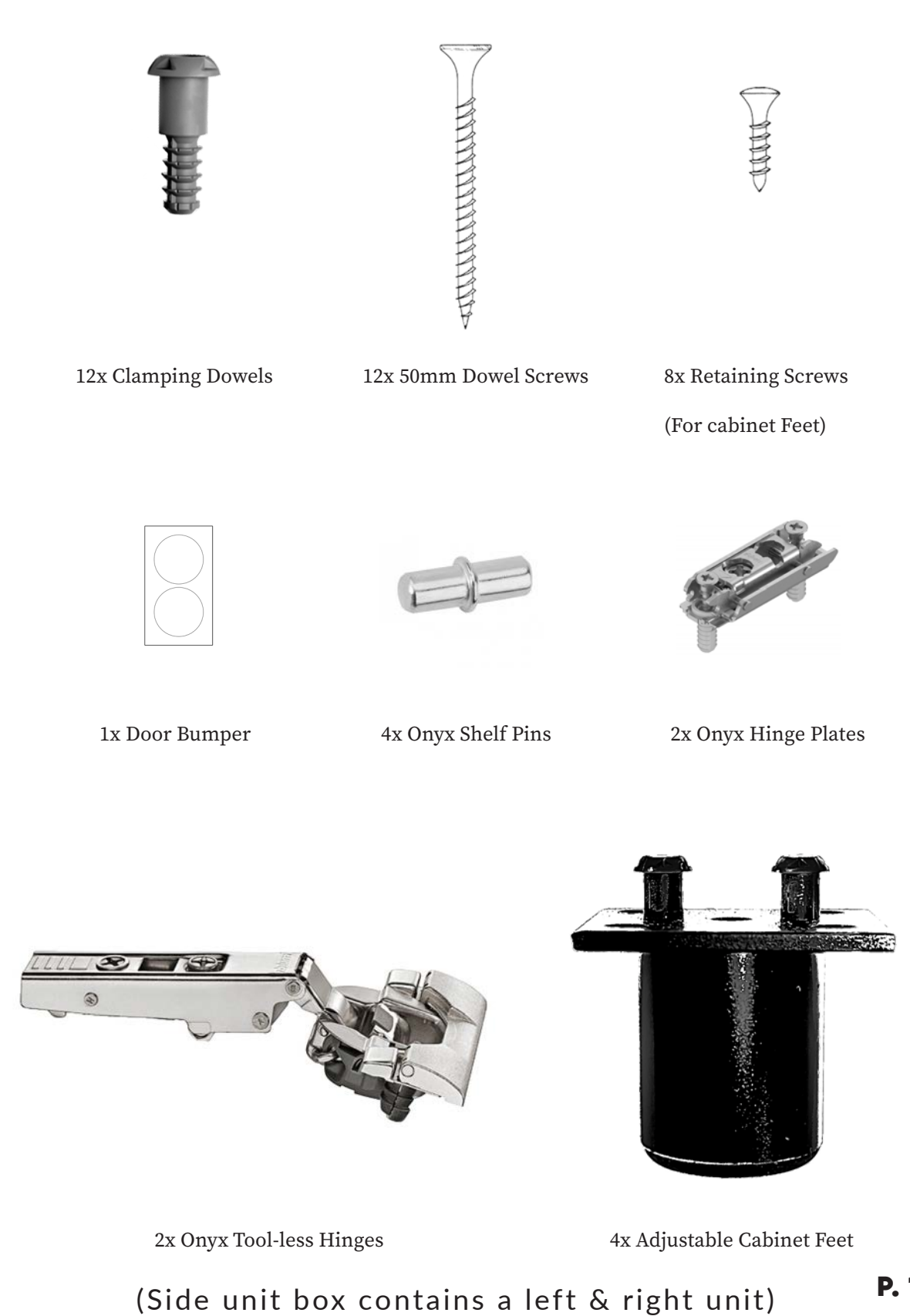
### Optional Side Unit Contents

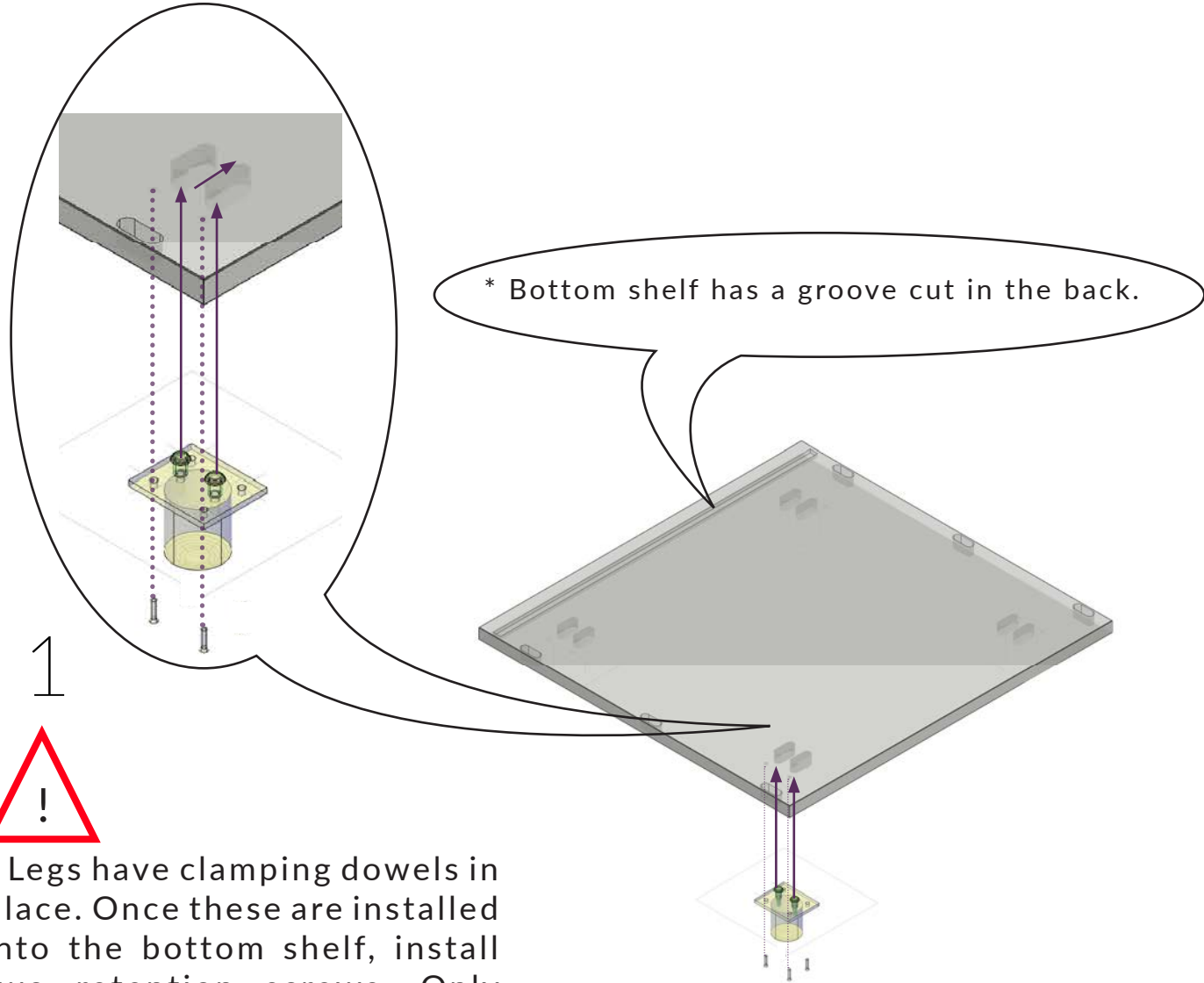


#### Side Unit (Per unit)

- Top Shelf
- Bottom Shelf
- Side Panel Left
- Side Panel Right
- Adjustable Shelf
- Back Panel
- Door Panel

### Fixings (\*Per Unit)





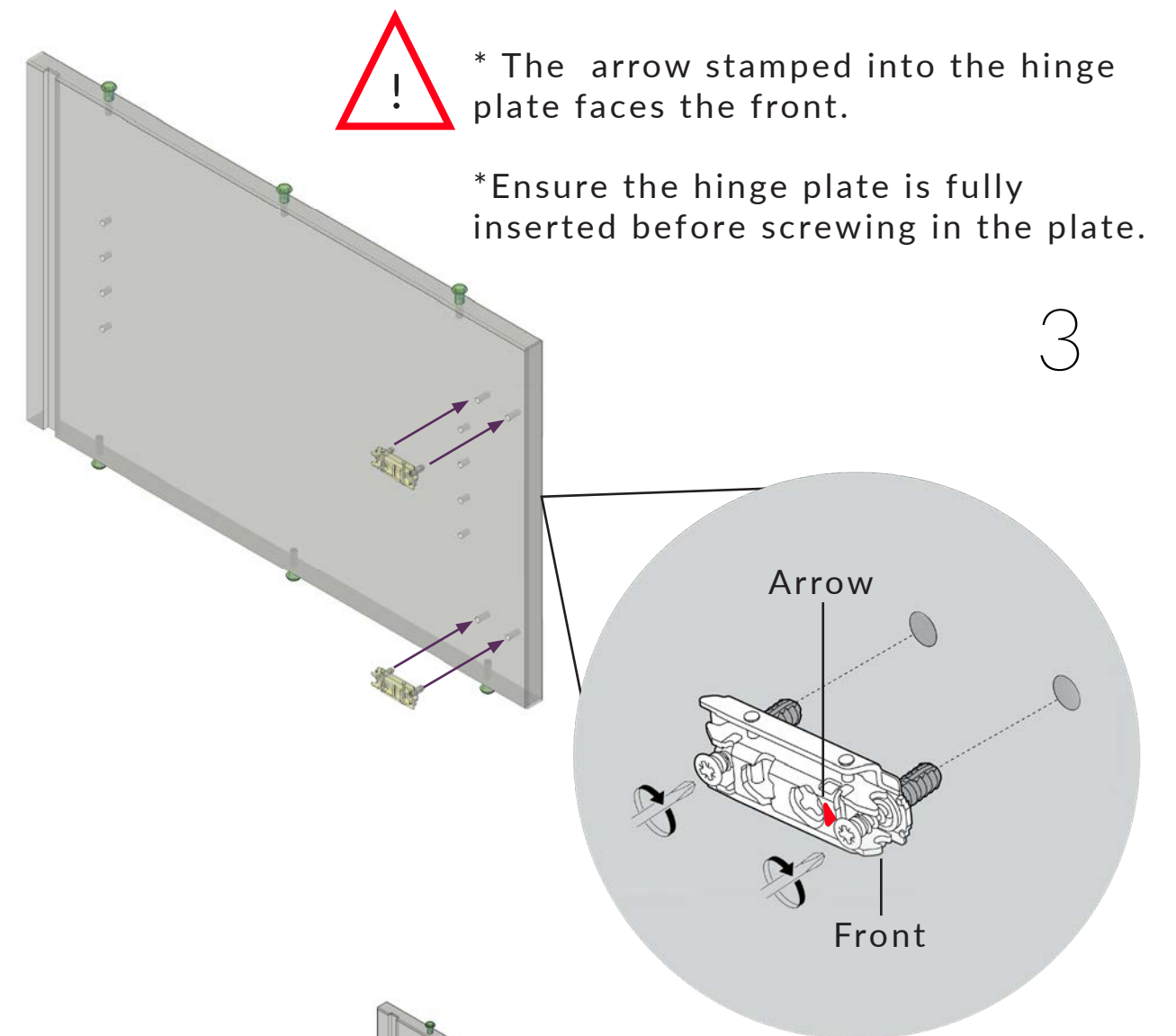
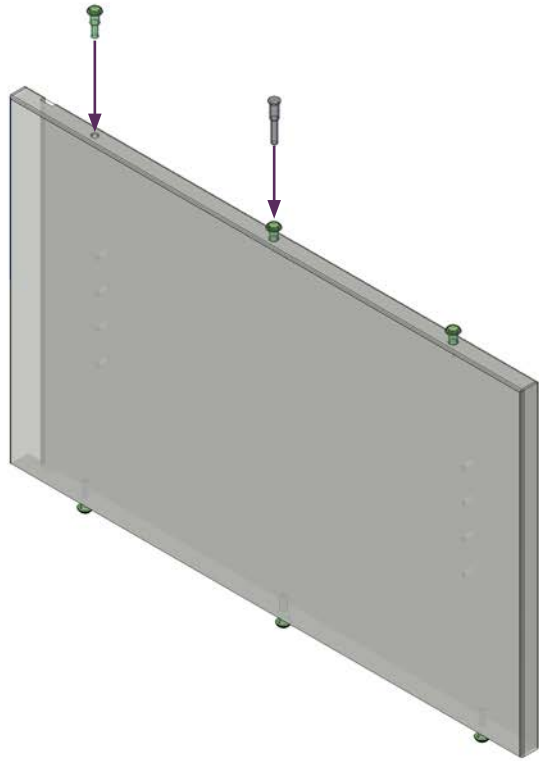
1



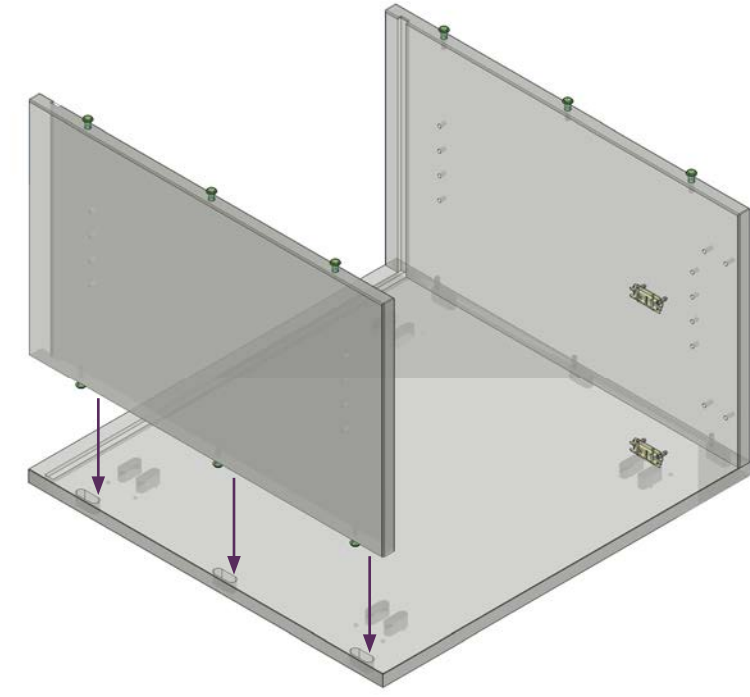
\* Legs have clamping dowels in place. Once these are installed into the bottom shelf, install two retention screws. Only install the retention screws once the legs are in place.

2

\*Refer to How Fixings Work.



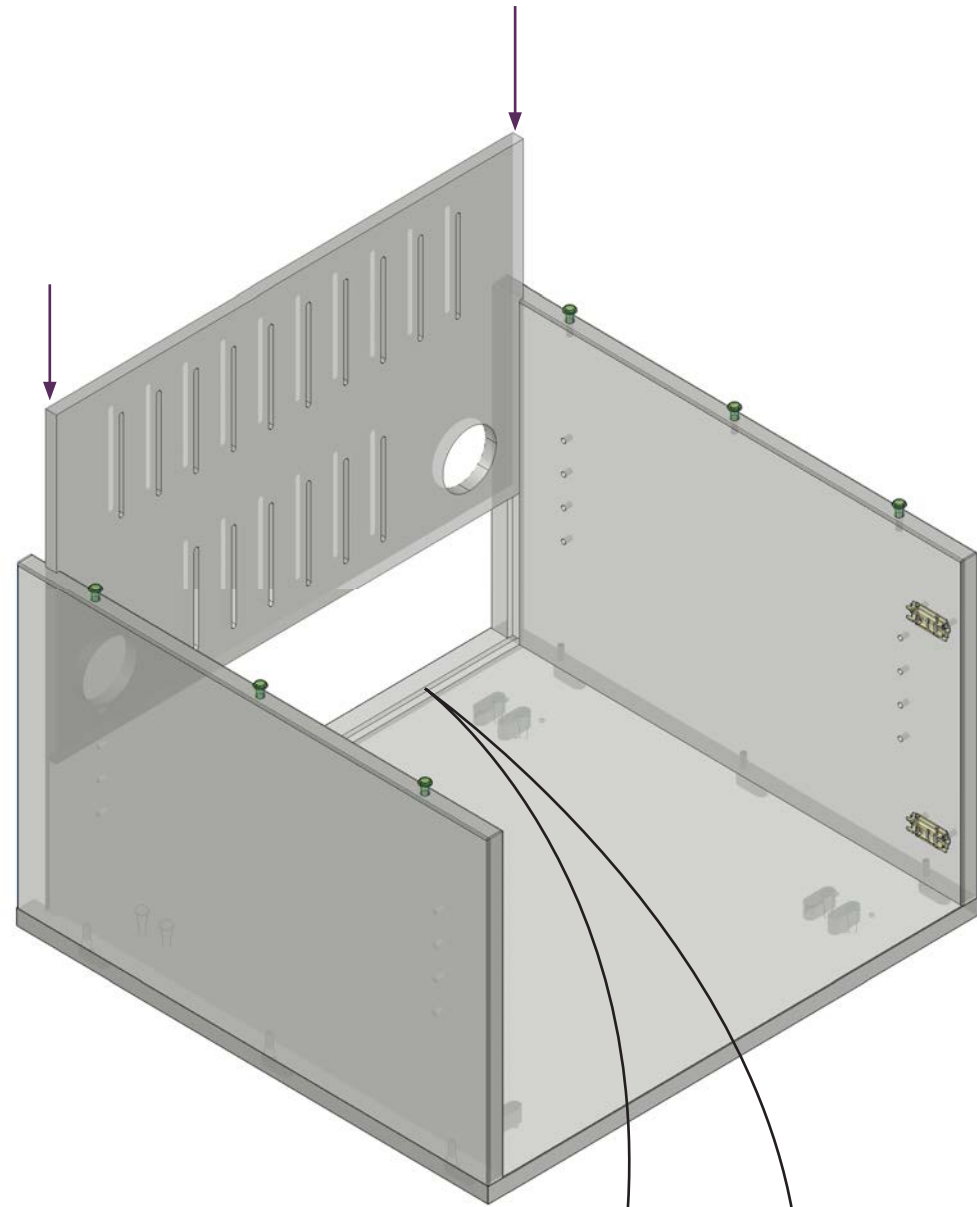
3



4

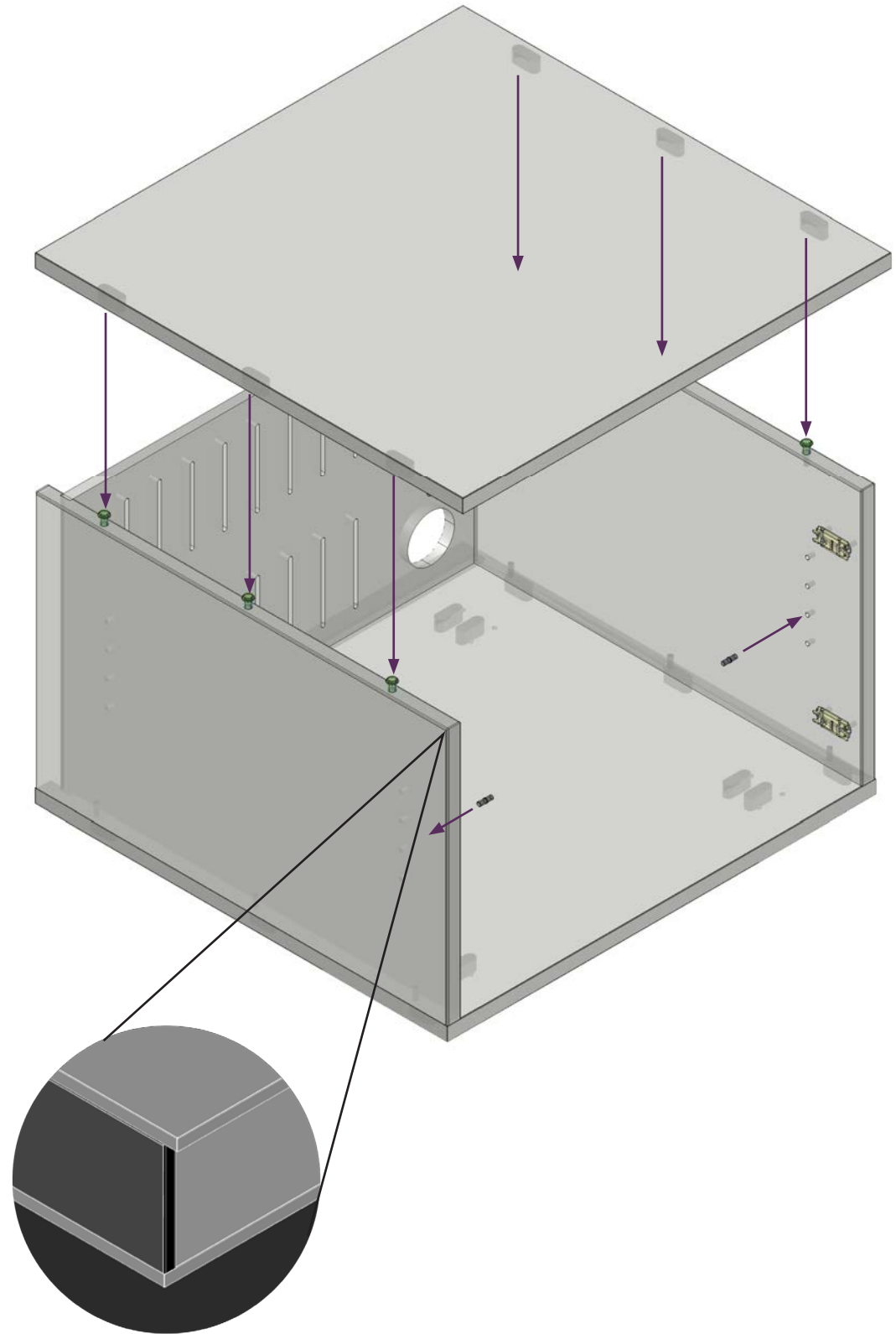


5



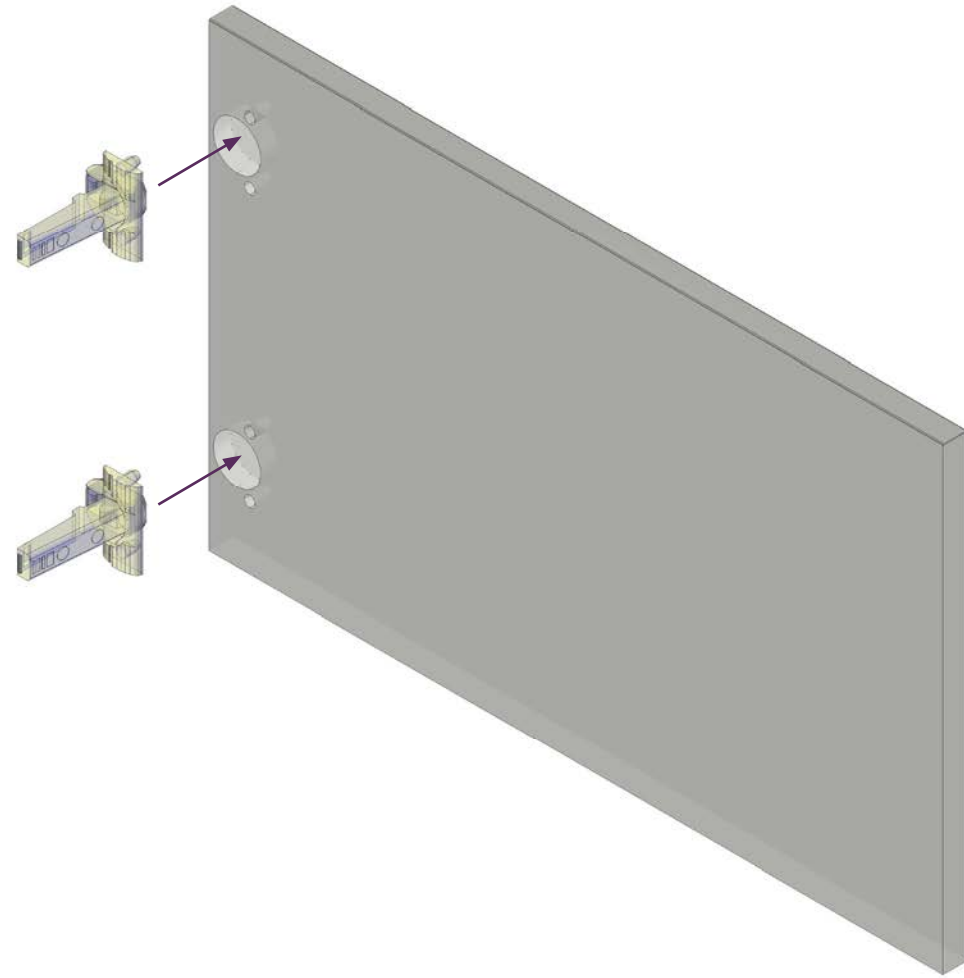
Make sure grooves line up and the slide in back panel sits square.

6

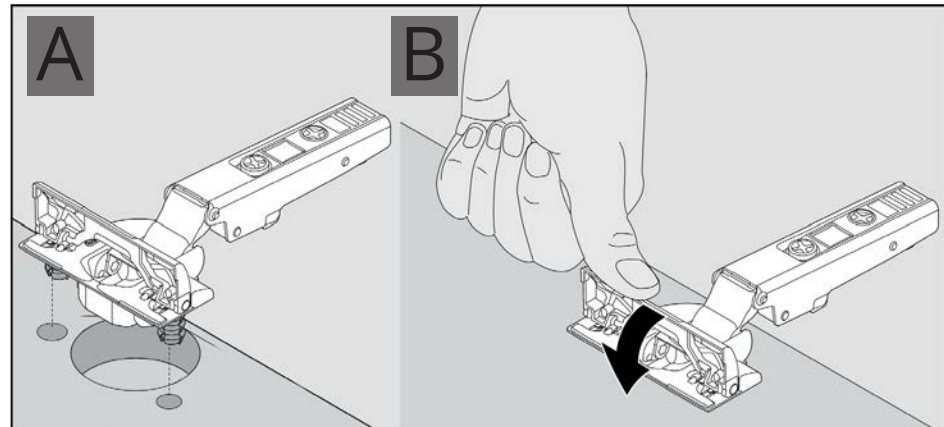


\* Top panel overhangs side panel when assembled.

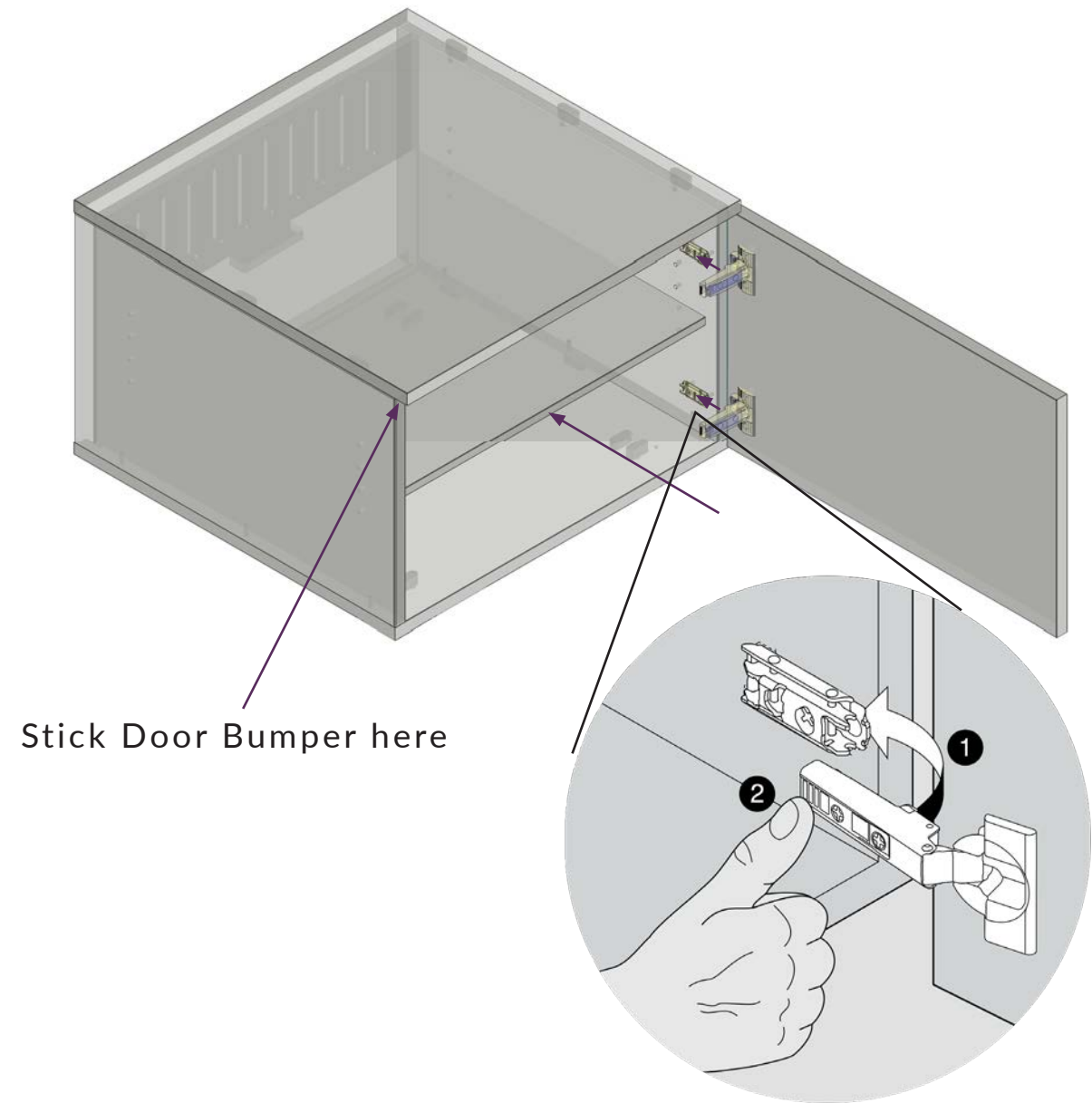
7



Install hinges to door



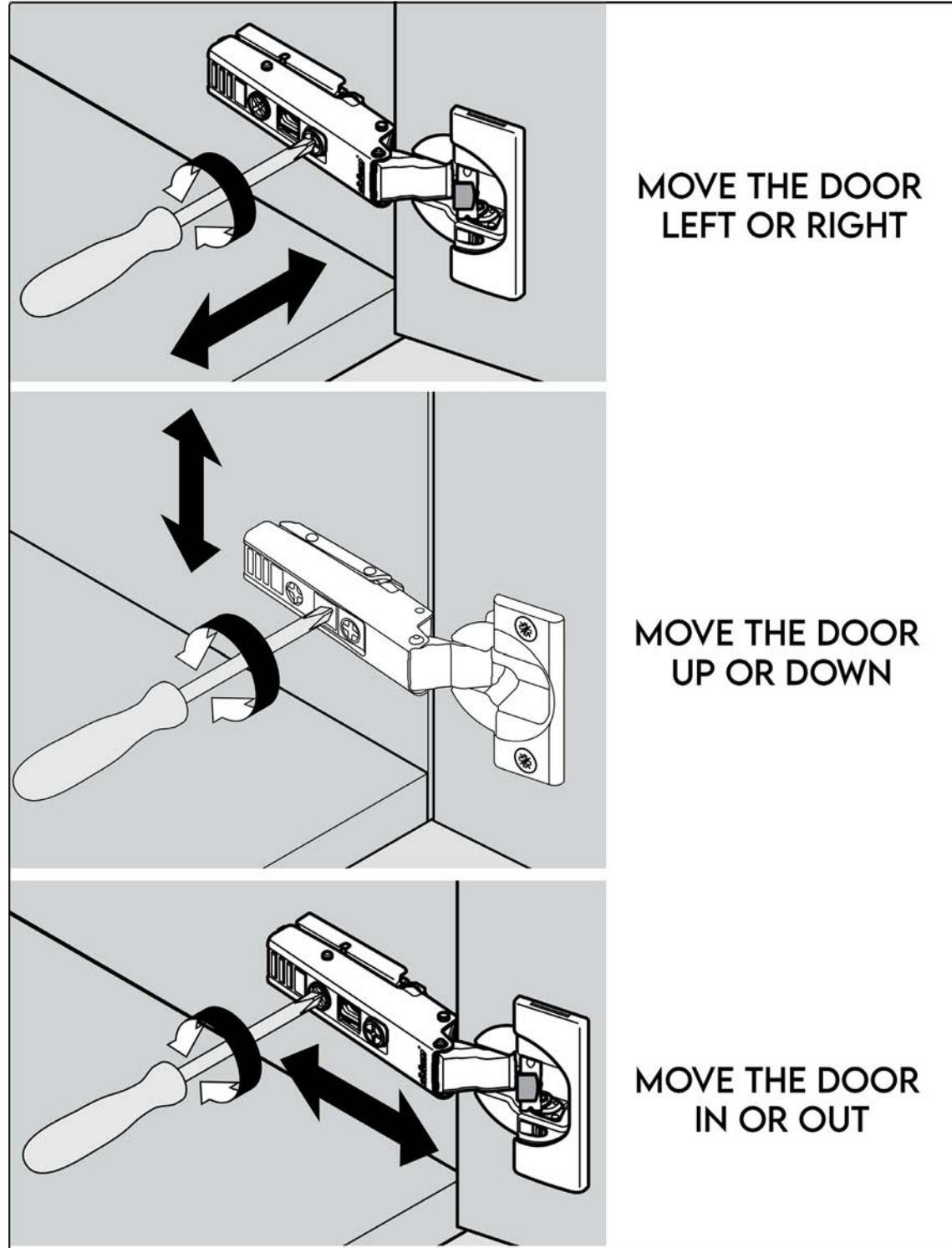
8



Stick Door Bumper here

### How to Adjust Hinges

9



### Completed Unit





