

SCREEN CONFIGURATION SUMMARY

PROJECT: WP22-07578 - INCEEL 2650 RG2

SCREEN: PRININCEEL-03800 - 2650-INCEEL-1.78-RG2-C05

SCREEN:

PRININCEEL-03800

Description: 2650-INCEEL-1.78-RG2-C05

Description 2: Overall size 3.170X1.790 mm

Screen Model: Inceel

Native Aspect Ratio: 1.78 Widescreen TV (16:9)

Fabric: Reference Grey 2

Screen Finishing: Tensio Classic Border 5

Dimension Range: 2650 mm Viewing Area

OPTIONS:

Fabric Roll Assembly: Back Fall

Screen Finish Option: White Matte

Screen Mechanism: Somfy Standard Motor

Voltage: 230V 50Hz

Instructions: Adeo Screen Manual

ACCESSORIES:

QTY

Control System:

AROL0004: Interface RS232-RF-12V-Dry contact for Screen - 1 interface control 1 motor (for Biformat 2 interface) 1

TOTAL, EXCLUDING FREIGHT & LOCAL TAXES:

Customer:

AWE EUROPE LTD

Alexander House 3A, Blenheim Road

EPSOM

KT19 9AP

GB

Phone:

Email:

Website: www.awe-europe.com

Comments:

SCREEN CONFIGURATION SUMMARY

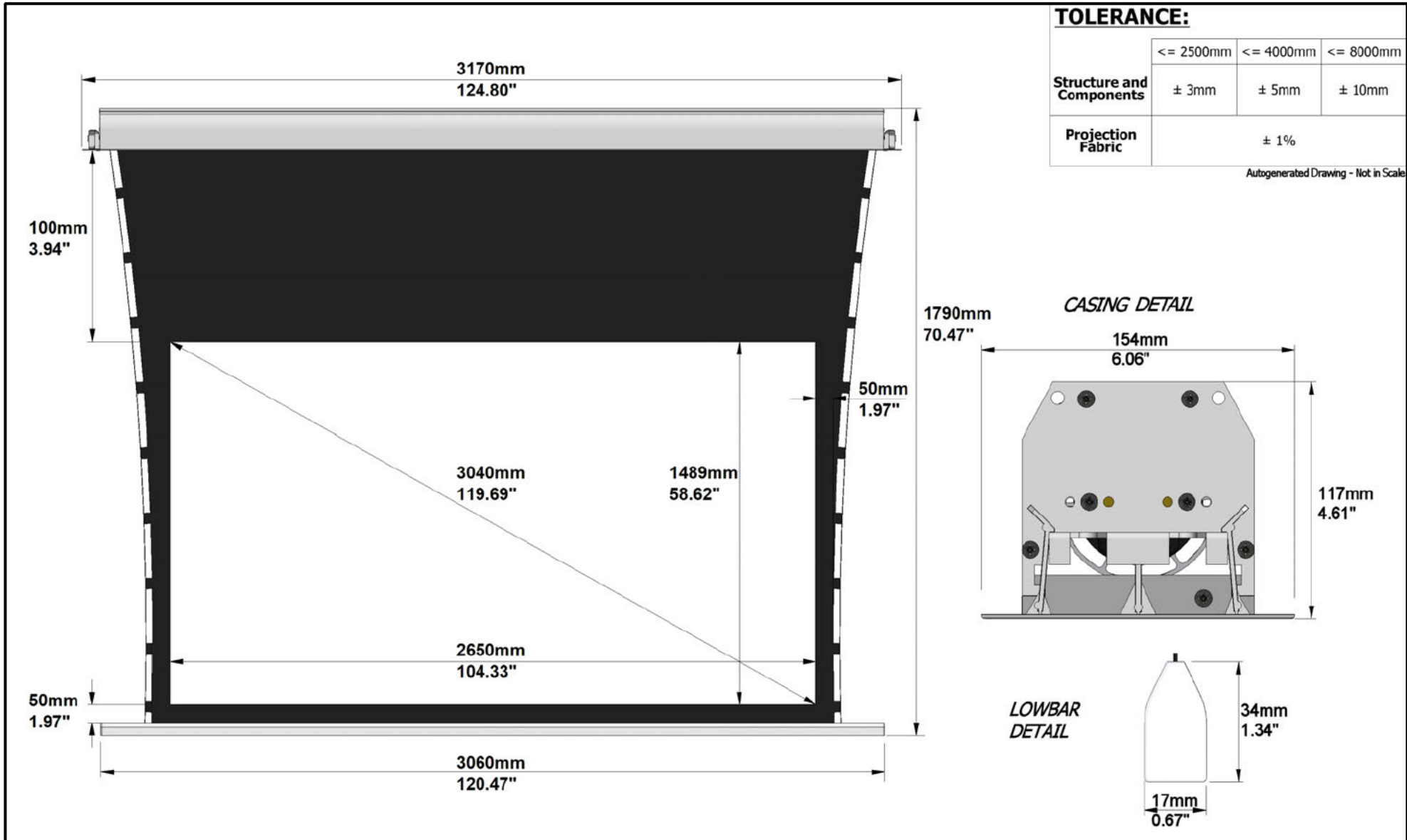
PROJECT: WP22-07578 - INCEEL 2650 RG2

SCREEN: PRININCEEL-03800 - 2650-INCEEL-1.78-RG2-C05

TOLERANCE:

	<= 2500mm	<= 4000mm	<= 8000mm
Structure and Components	± 3mm	± 5mm	± 10mm
Projection Fabric	± 1%		

Autogenerated Drawing - Not in Scale

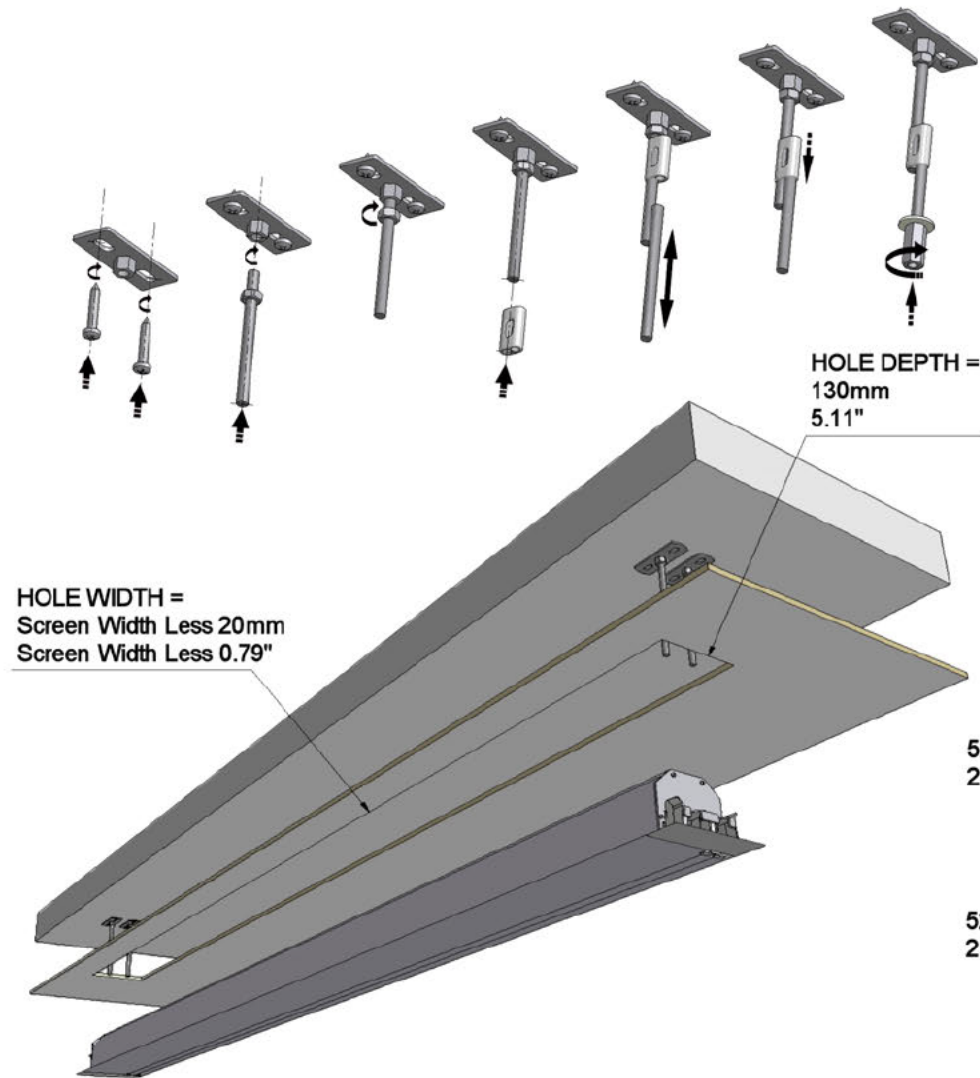


SCREEN CONFIGURATION SUMMARY

PROJECT: WP22-07578 - INCEEL 2650 RG2

SCREEN: PRININCEEL-03800 - 2650-INCEEL-1.78-RG2-C05

MOUNTING BRACKET AND INSTALLATION VIEW:



PACKAGING INFORMATION:

ESTIMATED SCREEN NET WEIGHT: 23.80Kg
52.40Lbs

	SHIPPING DIMENSIONS				NUMBER OF BOXES	TOTAL SHIPPING WEIGHT	
	LENGTH	DEPTH	HEIGHT	PALLET HEIGHT		kg	lbs
mm	3220mm	200mm	210mm	320mm	1	26.40	58.08
inches	126.77"	7.87"	8.27"	12.60"		kg	lbs

Autogenerated Drawing - Not in Scale

