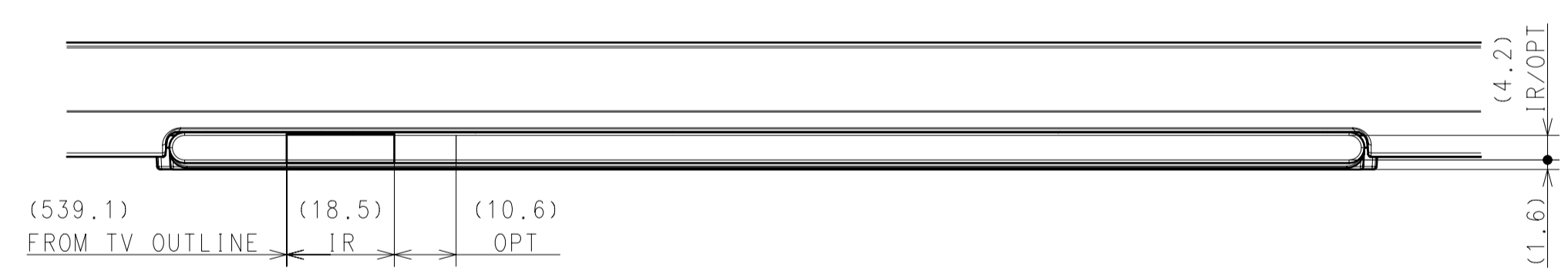
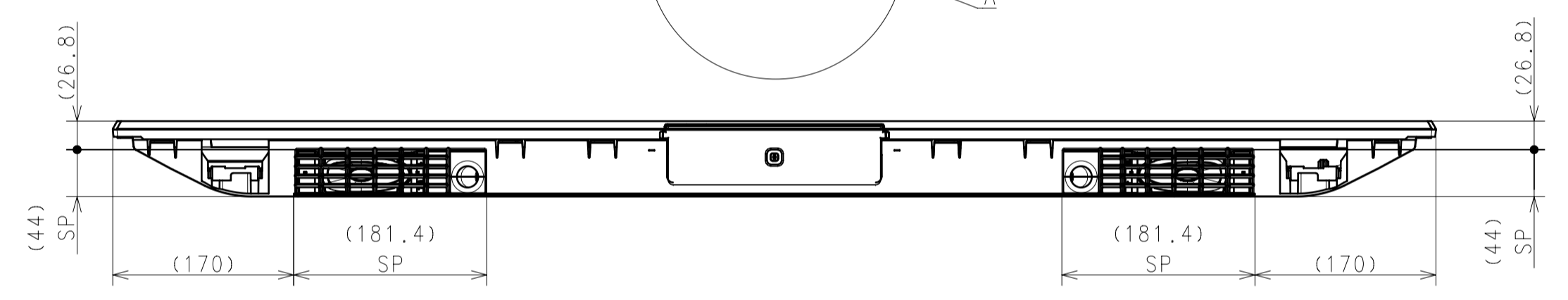
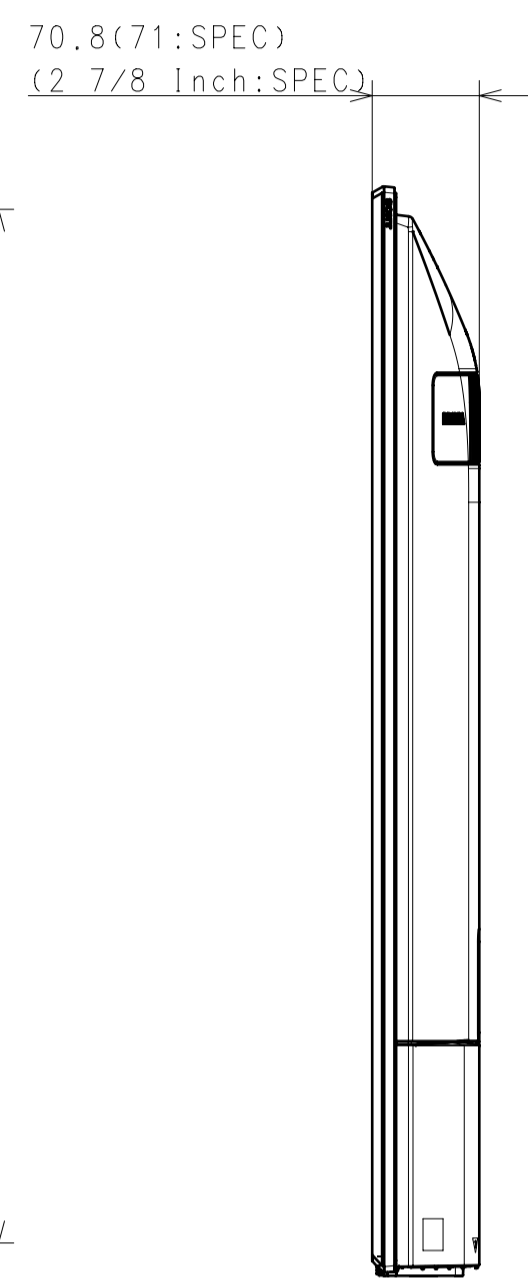
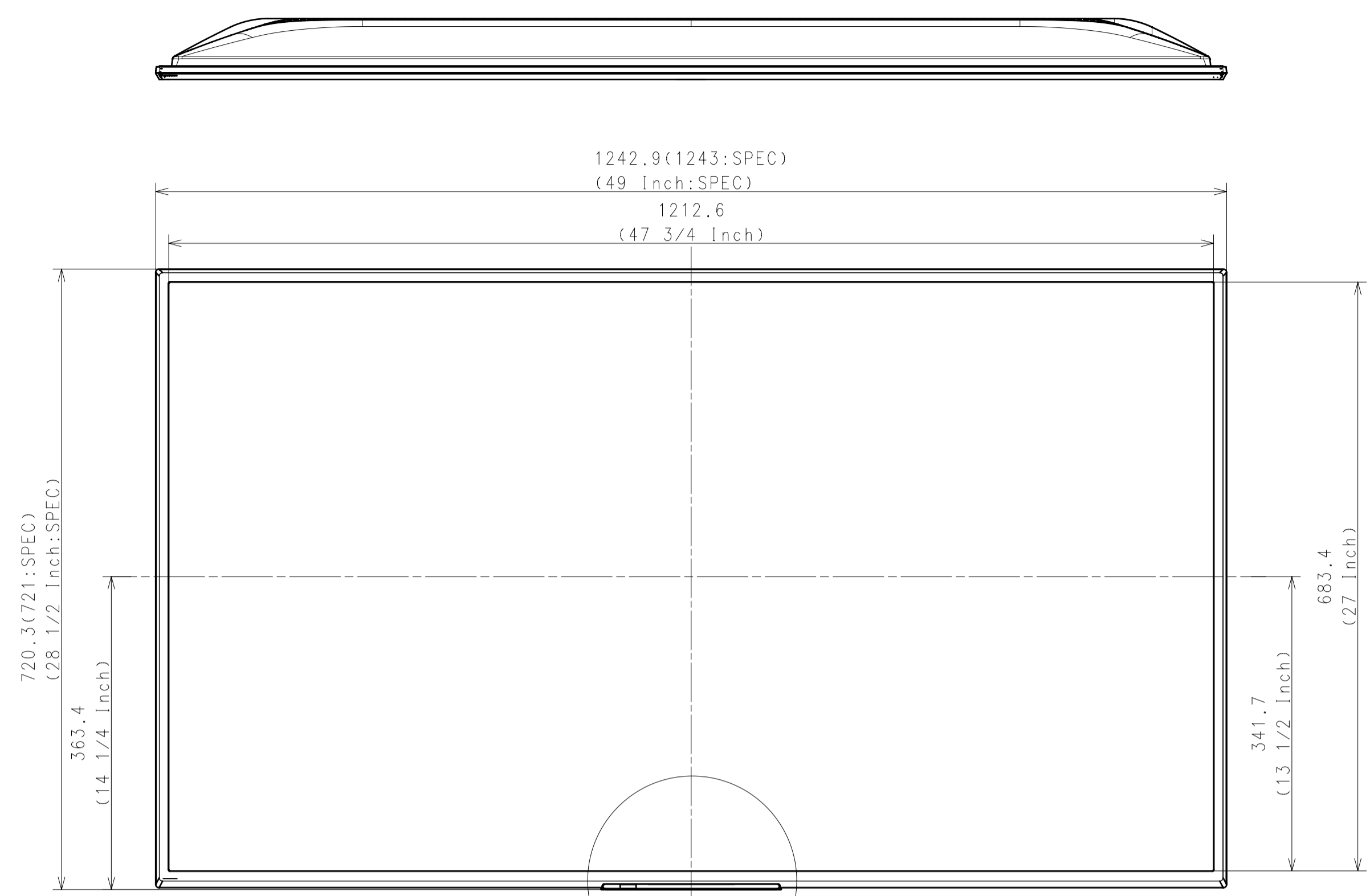
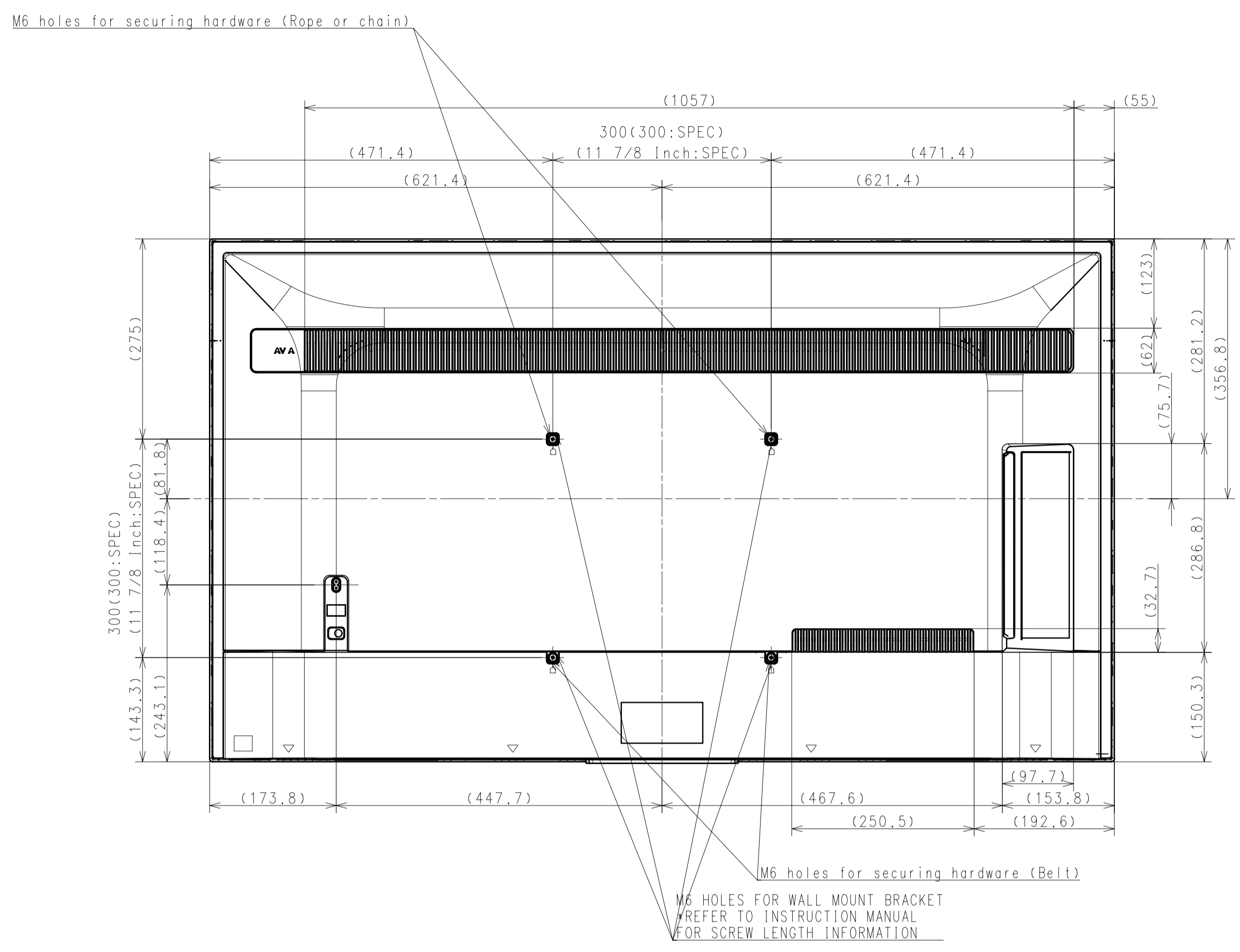


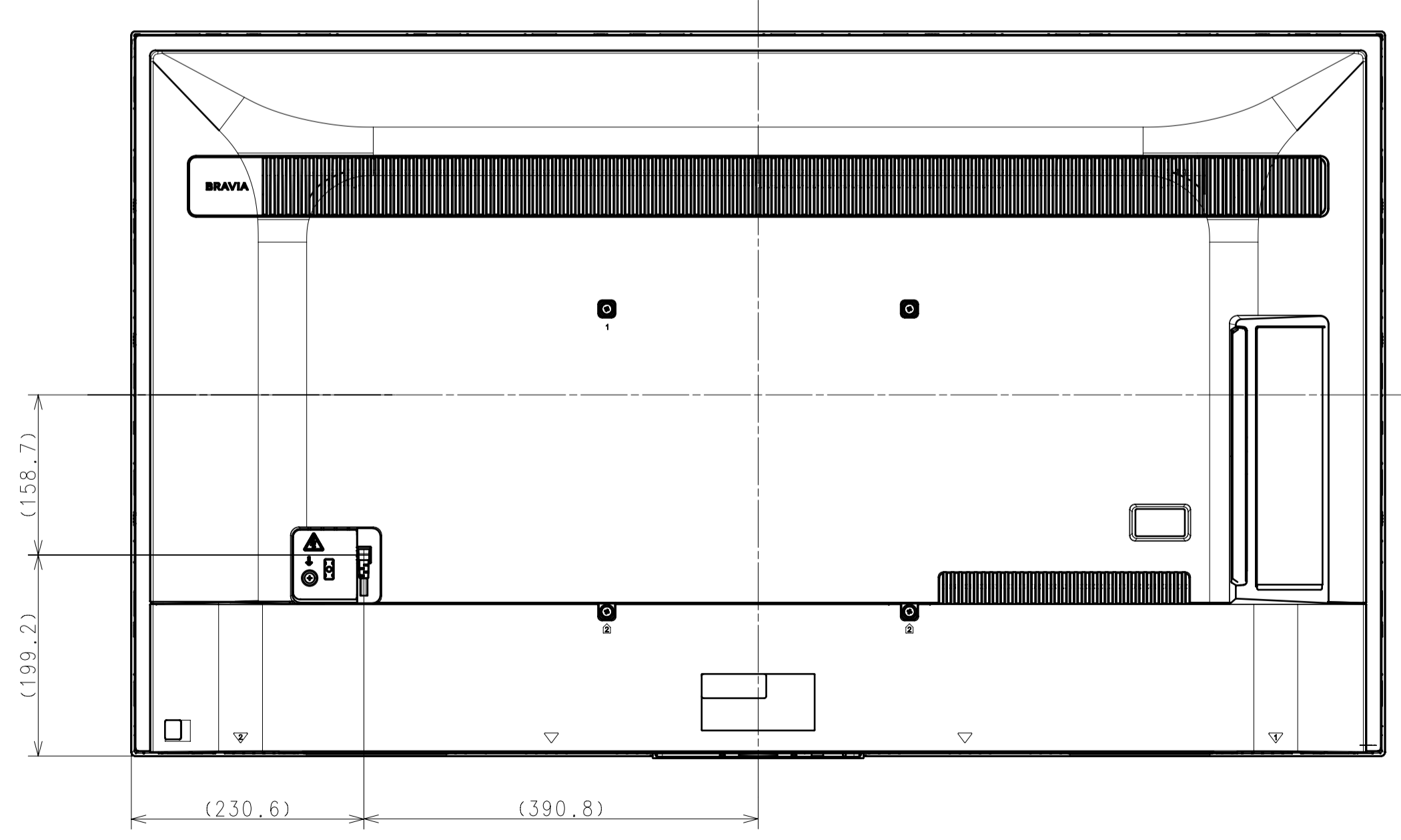
WITHOUT STAND



A
1:1



For. NORTH AMERICA, GENERAL AREA, CHINA, EUROPE



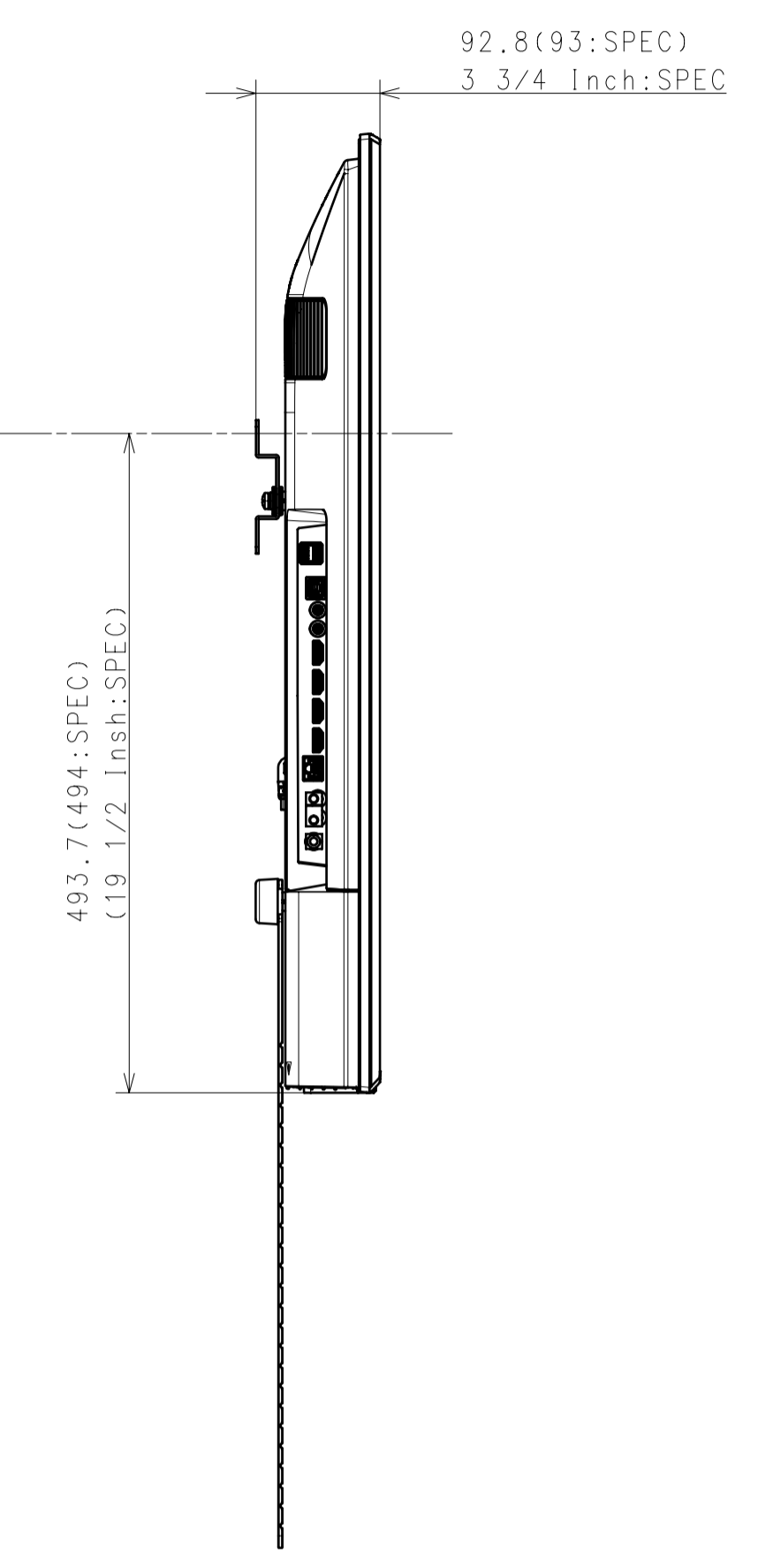
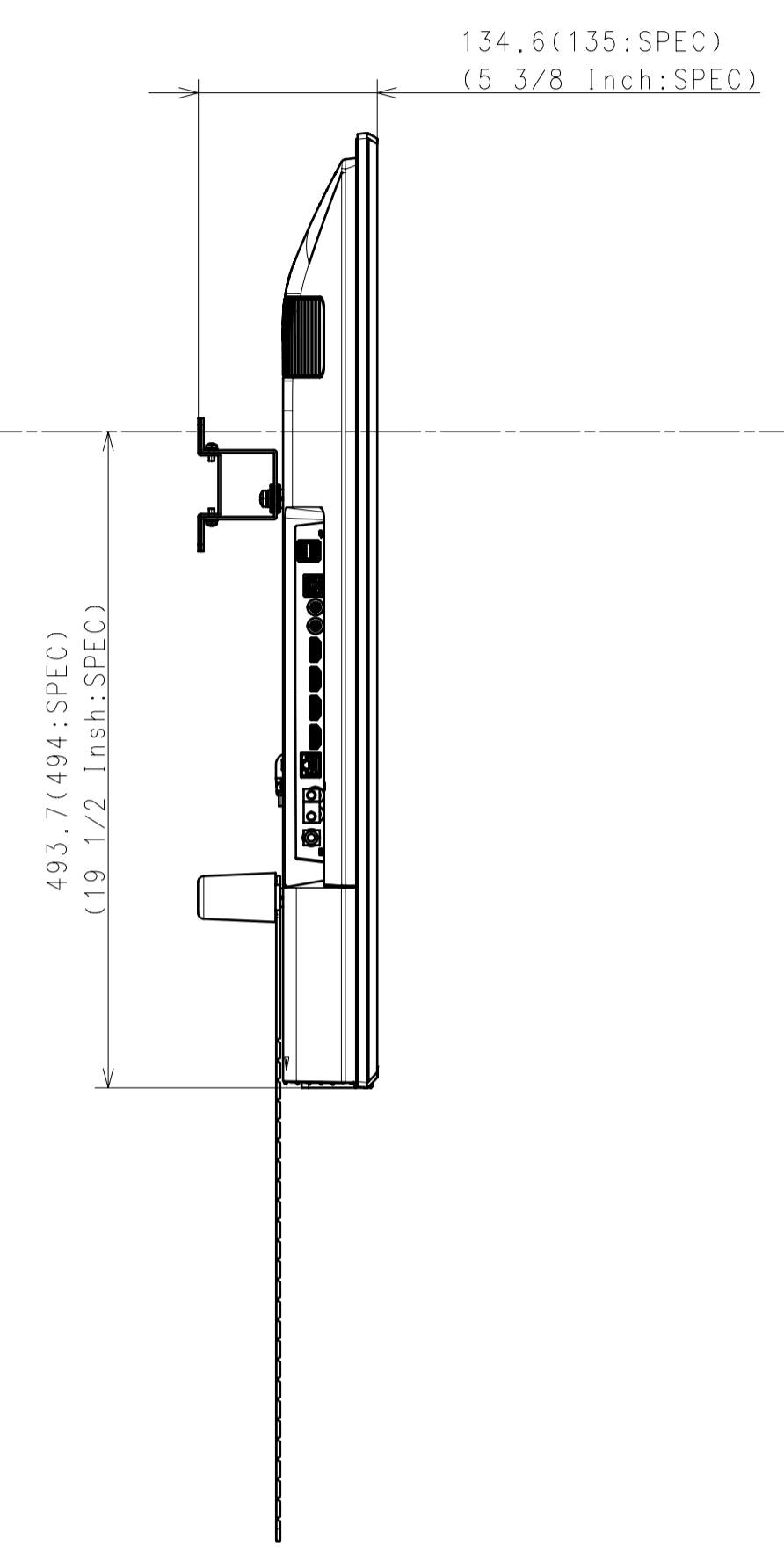
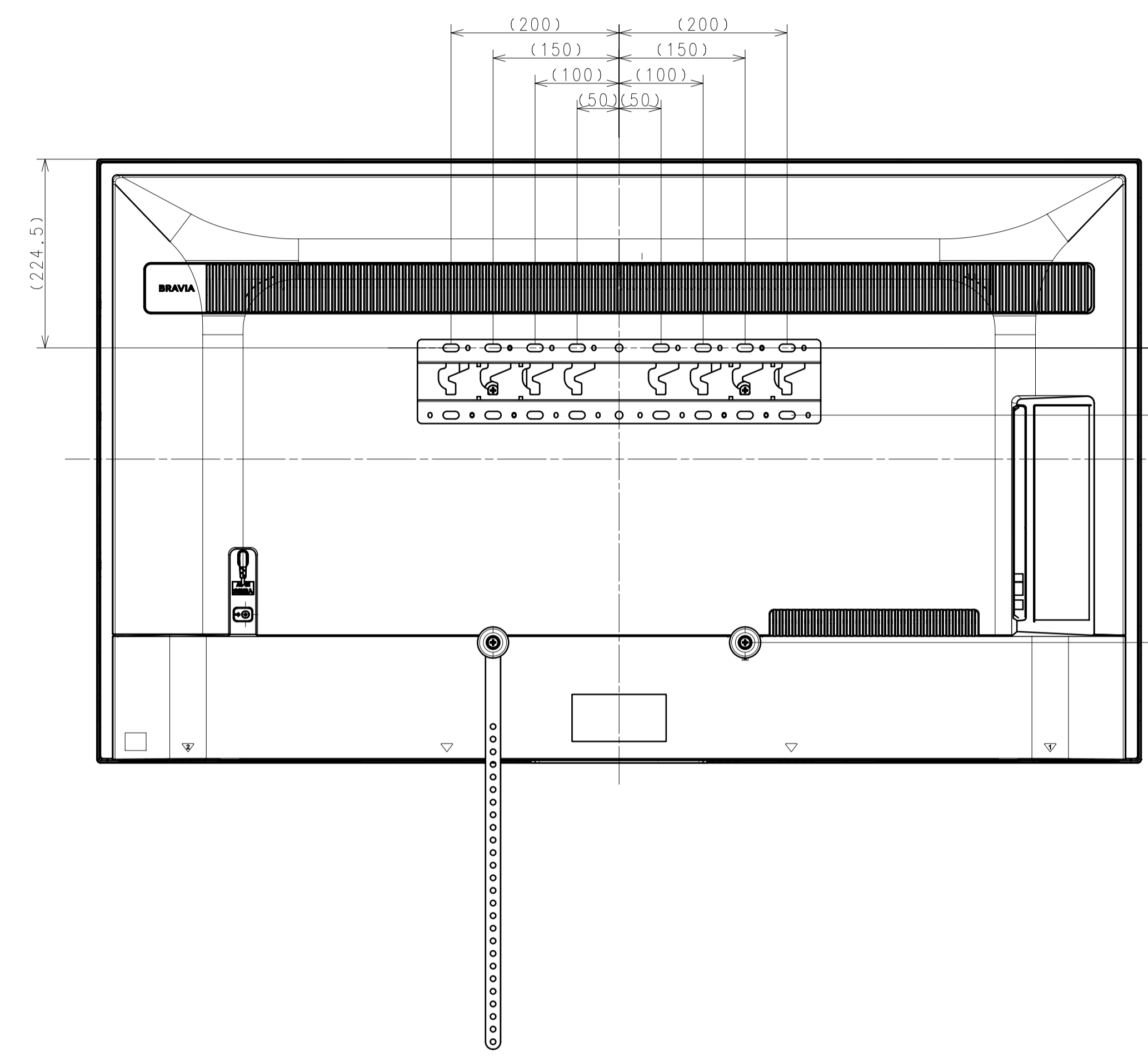
For. JAPAN

DESCRIPTION: 55(BZ35L) EXTERIOR VIEW	SCALE: 1:5
DESCRIPTION: 55(BZ35L) EXTERIOR VIEW	SHEET/PAGES: 2 / 4
LEGAL OWNER: Sony Corporation	PART NO.:
TENTATIVE PART NO.:	

SU-WL450

STANDARD

SLIM

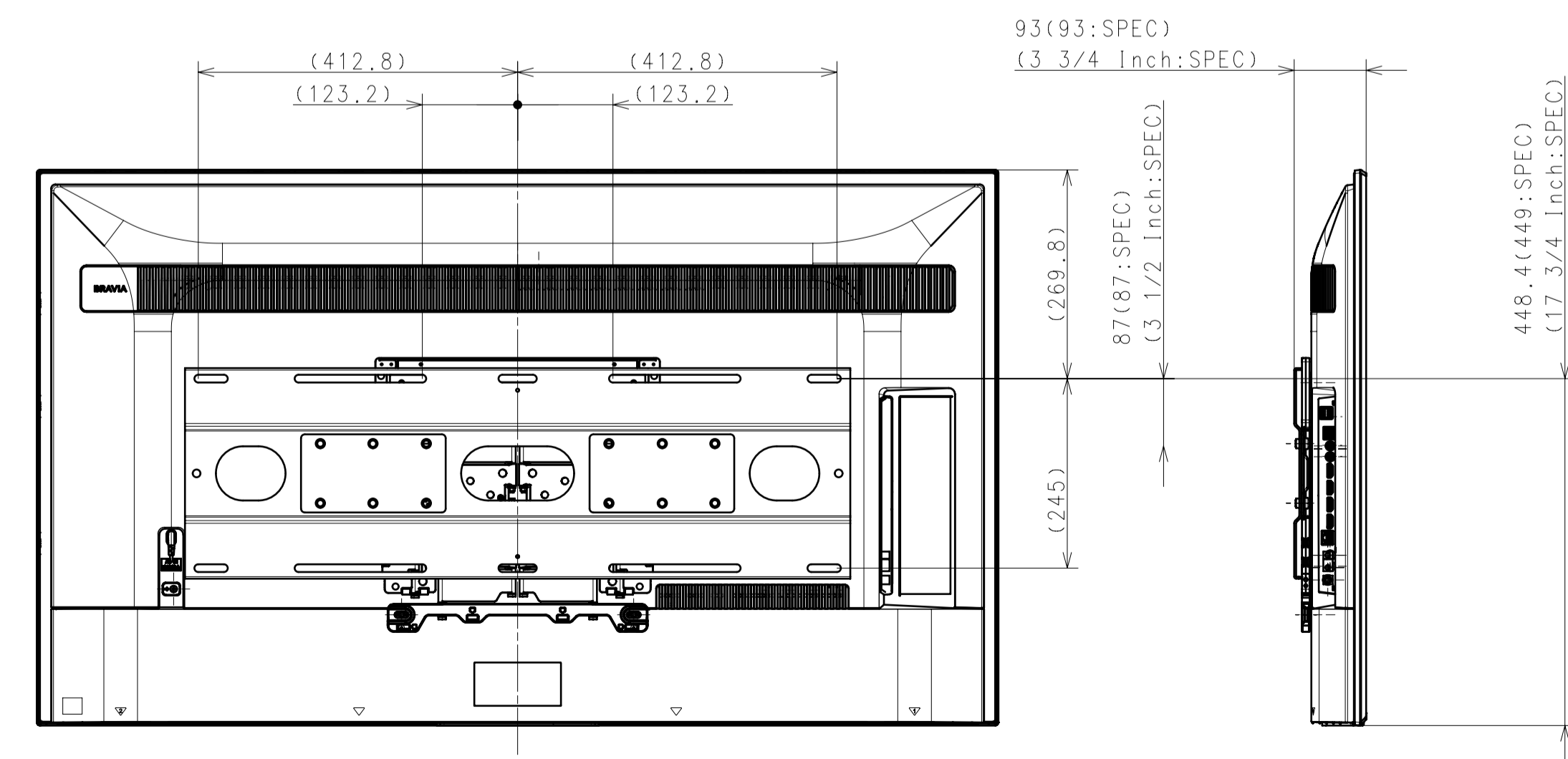
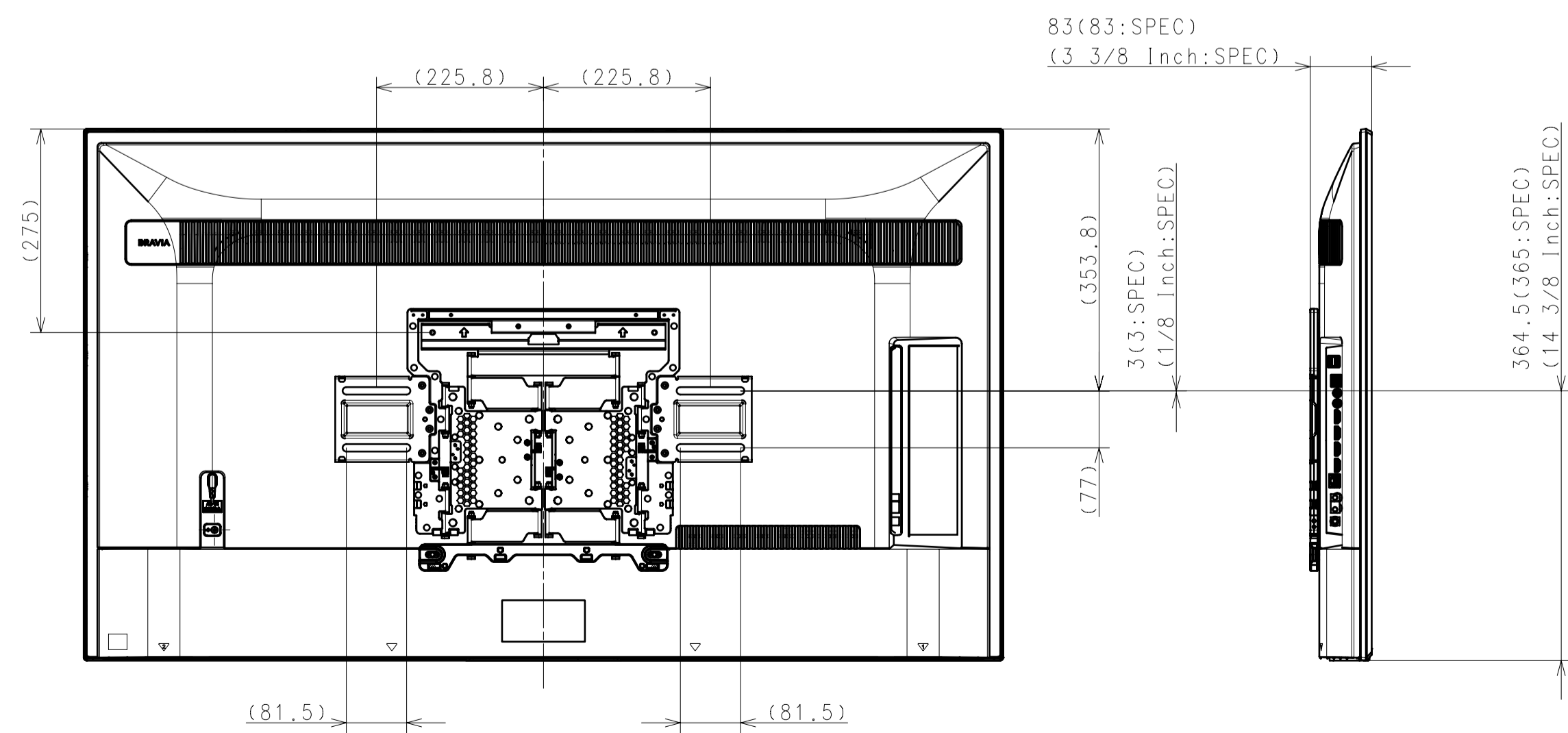
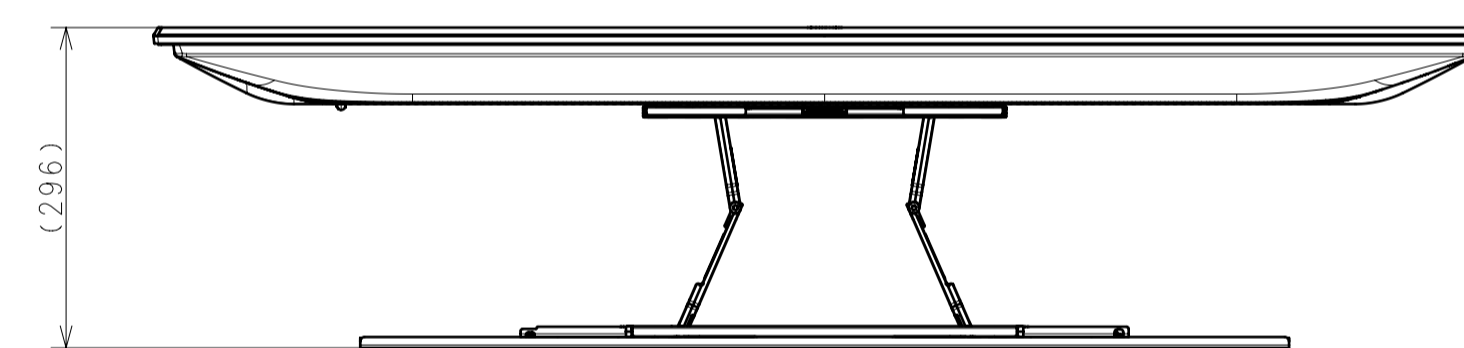
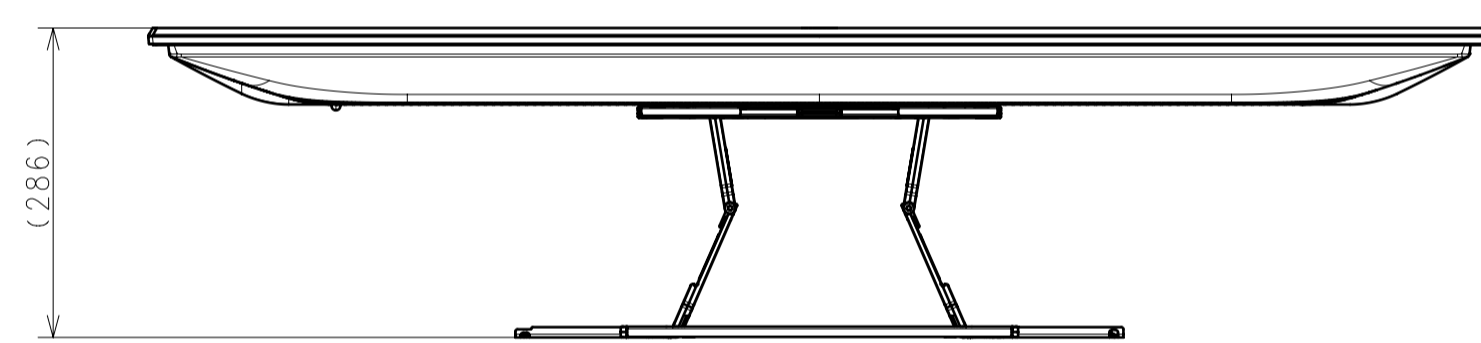
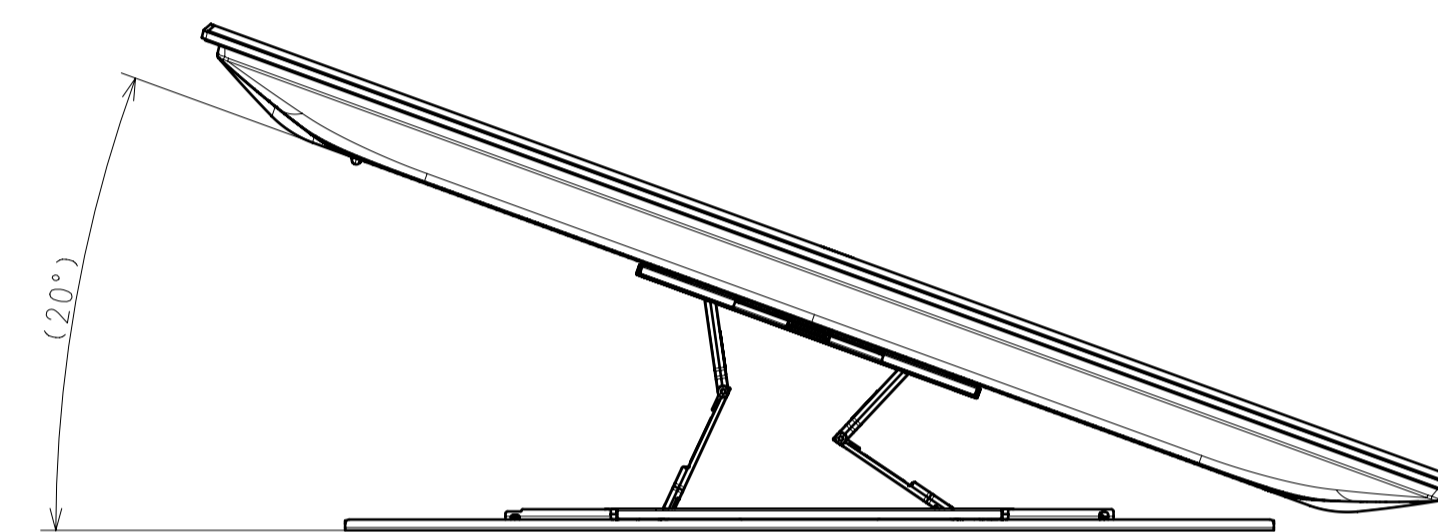
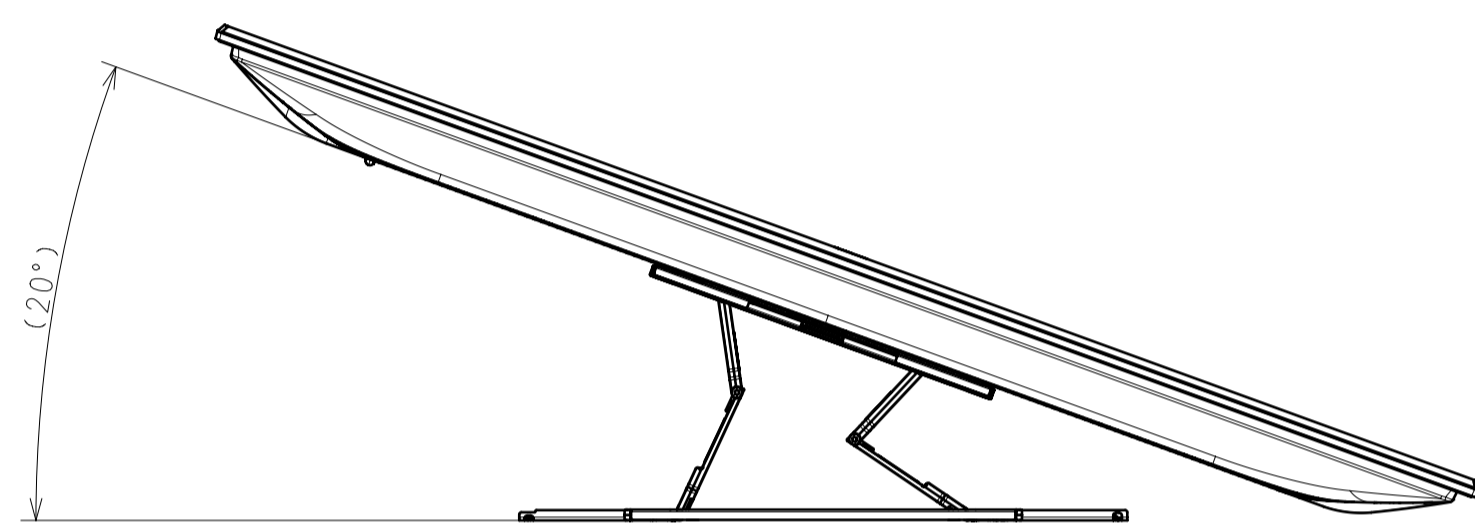
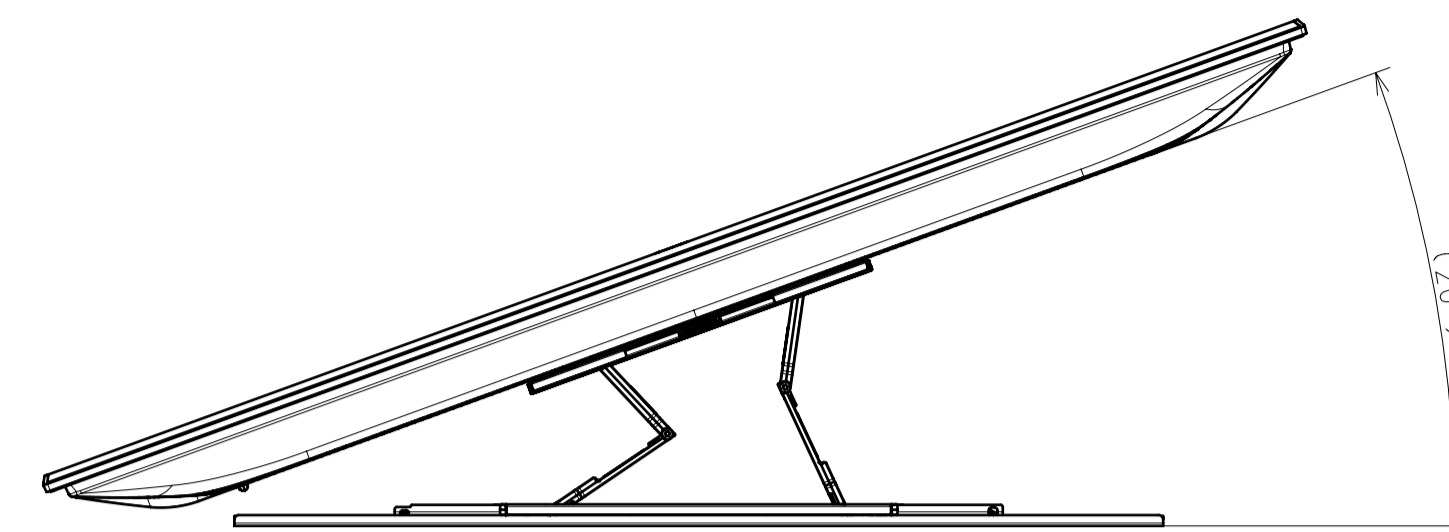
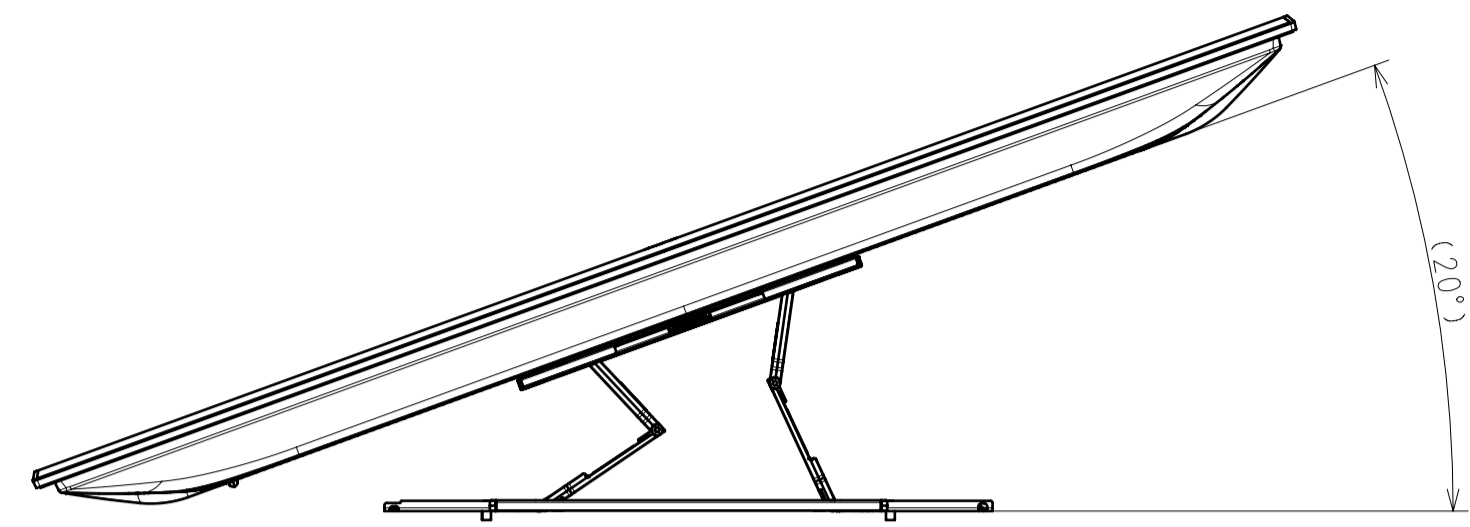


SONY STANDARD

DESCRIPTION	LEGAL OWNER	SCALE
55(BZ35L) EXTERIOR VIEW	Sony Corporation	1:5
55(BZ35L) EXTERIOR VIEW	PART NO.	SHEET/PAGES 3/4

SU-WL 850

SU-WL 855 WITH LATERAL SHAFT BRACKET



DESCRIPTION 1	55(BZ35L) EXTERIOR VIEW	LEGAL OWNER	Sony Corporation	SCALE	1:7
DESCRIPTION 2	55(BZ35L) EXTERIOR VIEW	PART NO.		SHEET/PAGES	4/4