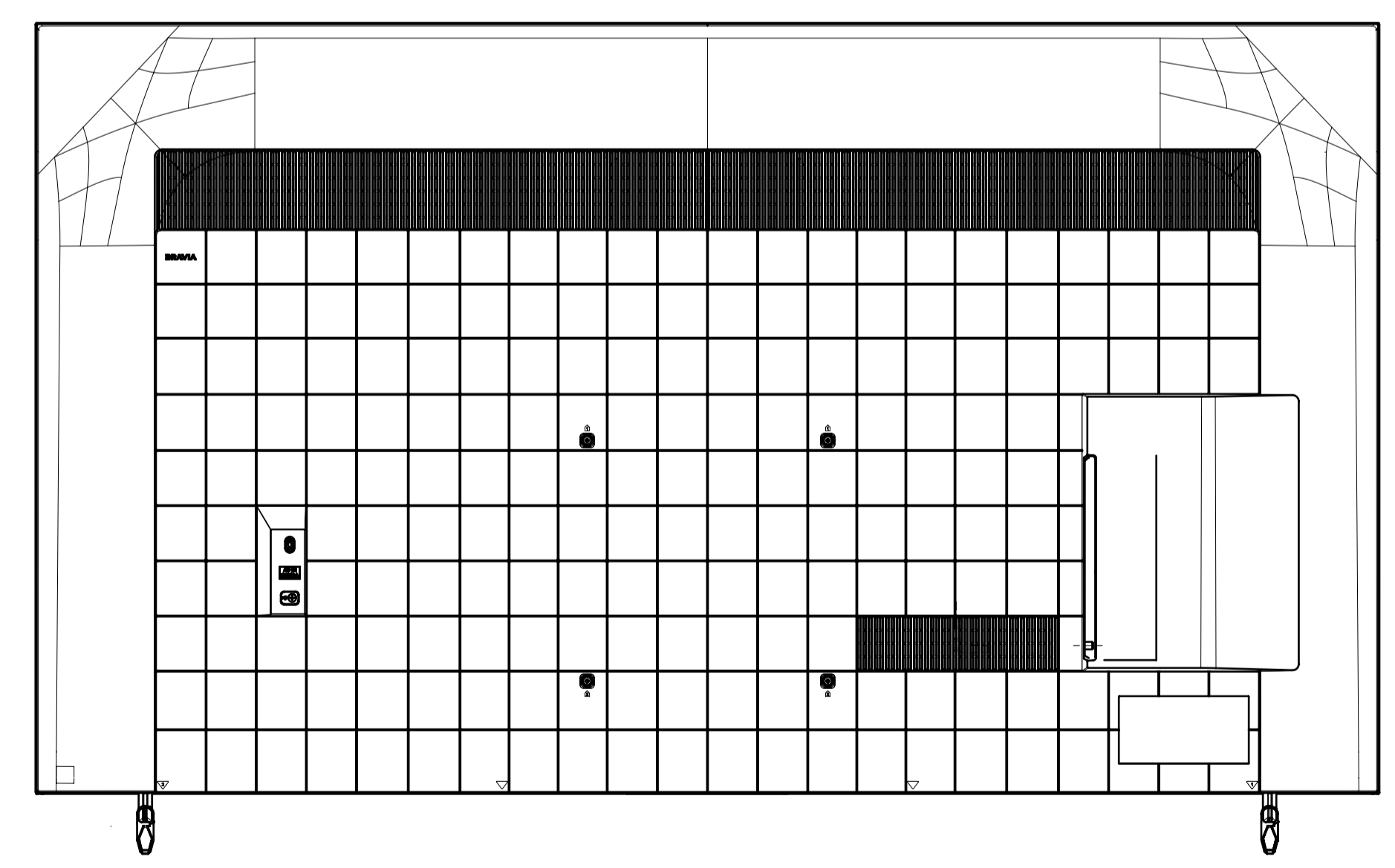
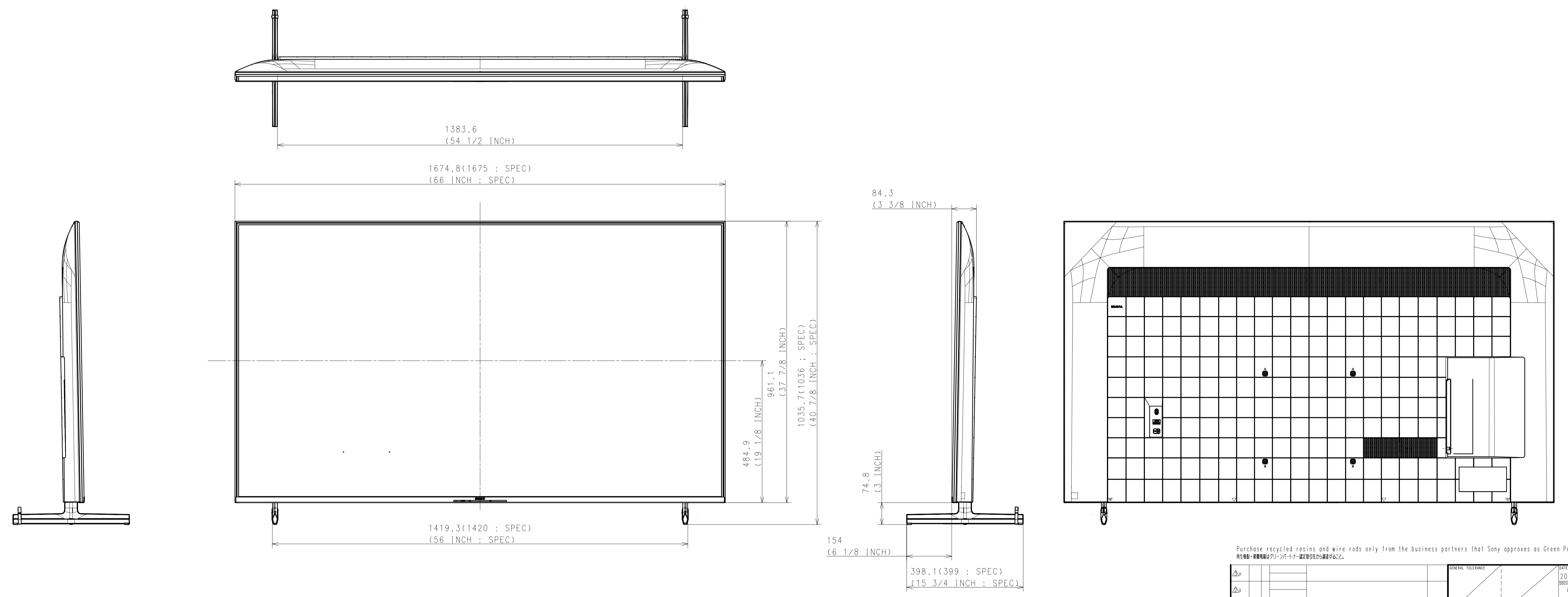


Area		JAPAN	EUROPE	GENERAL AREA	CHINA
Model Name		KJ-75X80L	KD-75X80L	KD-75X80L	KD-75X80L
SV No.		SV-41304	SV-41261	SV-41110	SV-41218
DIMENSION	TV only (W x H x D)	167.5 x 96.2 x 7.3 cm	Approx. 167.5 x 96.2 x 7.3 cm	Approx. 167.5 x 96.2 x 7.3 mm	Approx. 167.5 x 96.2 x 7.3 mm
	TV only with camera (W x H x D)	-	-	-	-
	TV with Stand (Standard position) (W x H x D)	167.5 x 103.6 x 39.9 cm	Approx. 167.5 x 103.6 x 39.9 cm	Approx. 167.5 x 103.6 x 39.9 mm	Approx. 167.5 x 103.6 x 39.9 mm
	TV with Stand (Narrow position) (W x H x D)	-	Approx. 167.5 x 103.6 x 39.9 cm	-	-
	TV with Stand (Soundbar position) (W x H x D)	-	-	-	-
	TV with Stand (Front position style) (W x H x D)	-	-	-	-
	TV with Stand (Back position style) (W x H x D)	-	-	-	-
	TV with Floor Stand (W x H x D)	-	-	-	-
	Stand Width (Standard position)	142.0 cm	Approx. 142.0 cm	Approx. 1420 mm	Approx. 1420 mm
	Stand Width (Narrow position)	-	Approx. 48.5 cm	-	-
	Stand Width (Soundbar position)	-	-	-	-
	Stand Width (Front position style)	-	-	-	-
	Stand Width (Back position style)	-	-	-	-
	Floor Stand Width	-	-	-	-
VESA Hole Pitch	30.0 x 30.0 cm	30.0 x 30.0 cm	300 x 300 mm	300 x 300 mm	
WEIGHT	TV Only	32.2 kg	Approx. 32.2 kg	Approx. 32.2 kg	Approx. 32.2 kg
	TV with Stand (Standard position)	33.7 kg	Approx. 33.7 kg	Approx. 33.7 kg	Approx. 33.7 kg
	TV with Stand (Narrow position)	-	Approx. 33.7 kg	-	-
	TV with Stand (Soundbar position)	-	-	-	-
	TV with Stand (Front/Back position style)	-	-	-	-
	TV with Floor Stand	-	-	-	-
	Floor Stand weight (Supply)	-	-	-	-
Remarks			2way		

WITH STAND

MAIN STAND (STANDARD POSITION)  
KJ-75X80L (JAPAN) AND  
KD-75X80L (EUROPE, GENERAL AREA, CHINA)

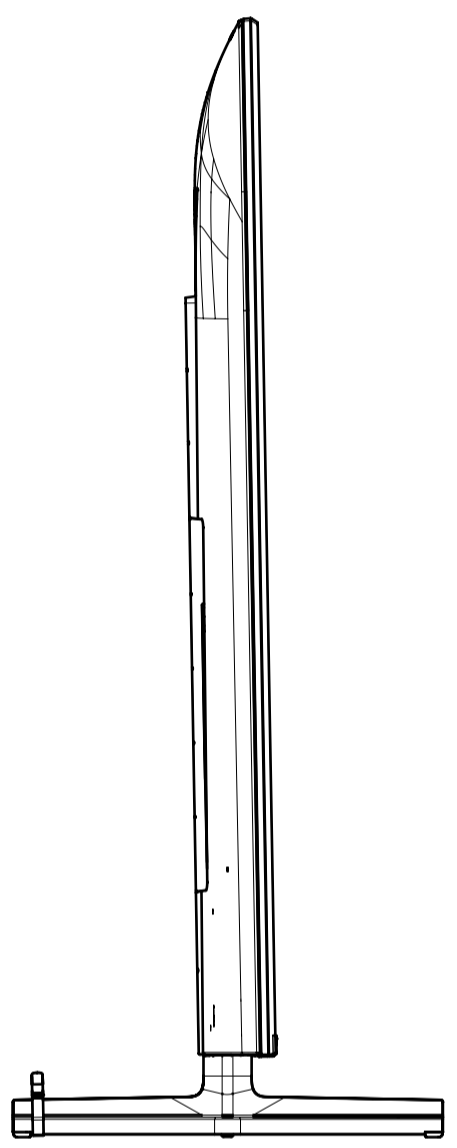
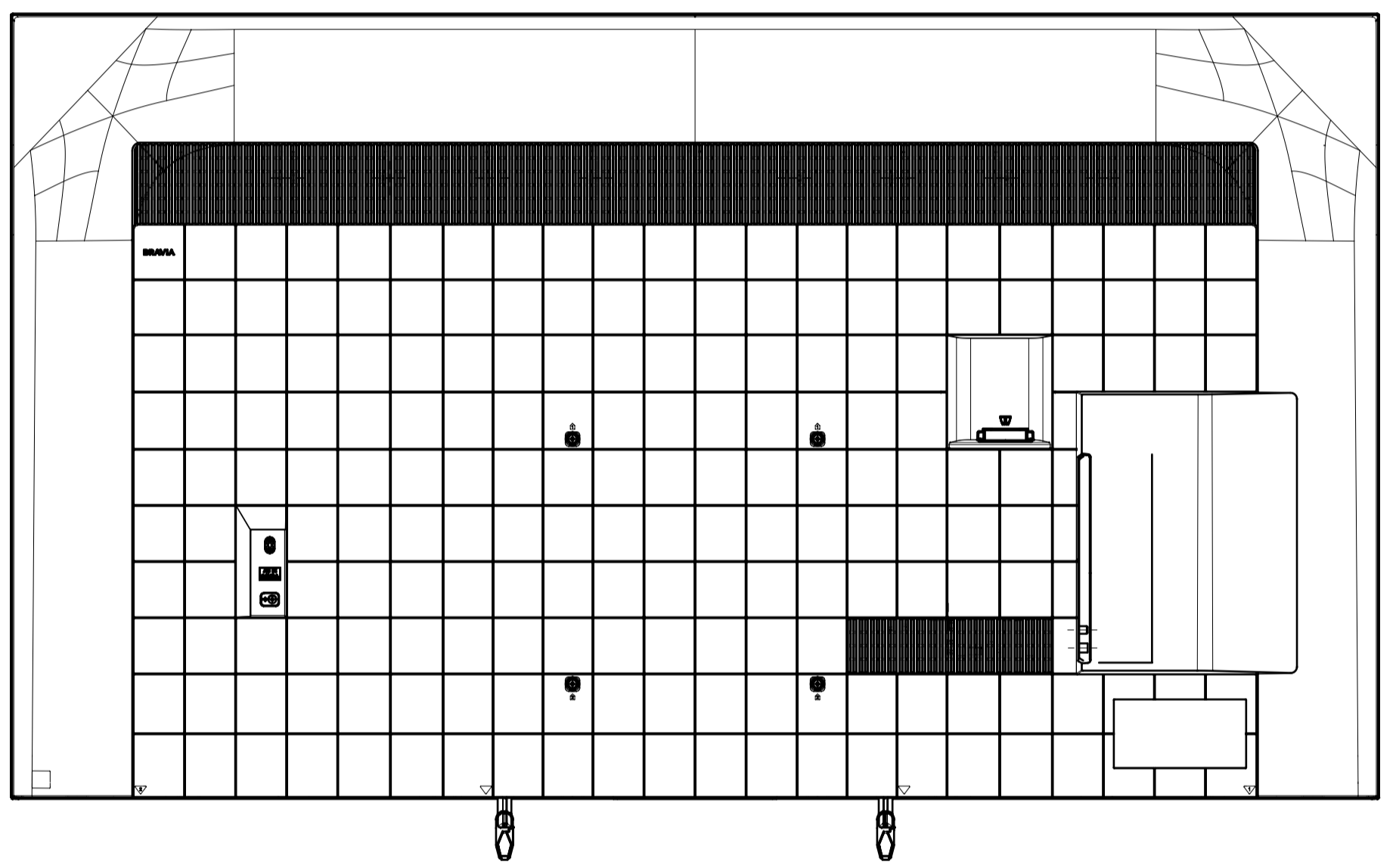
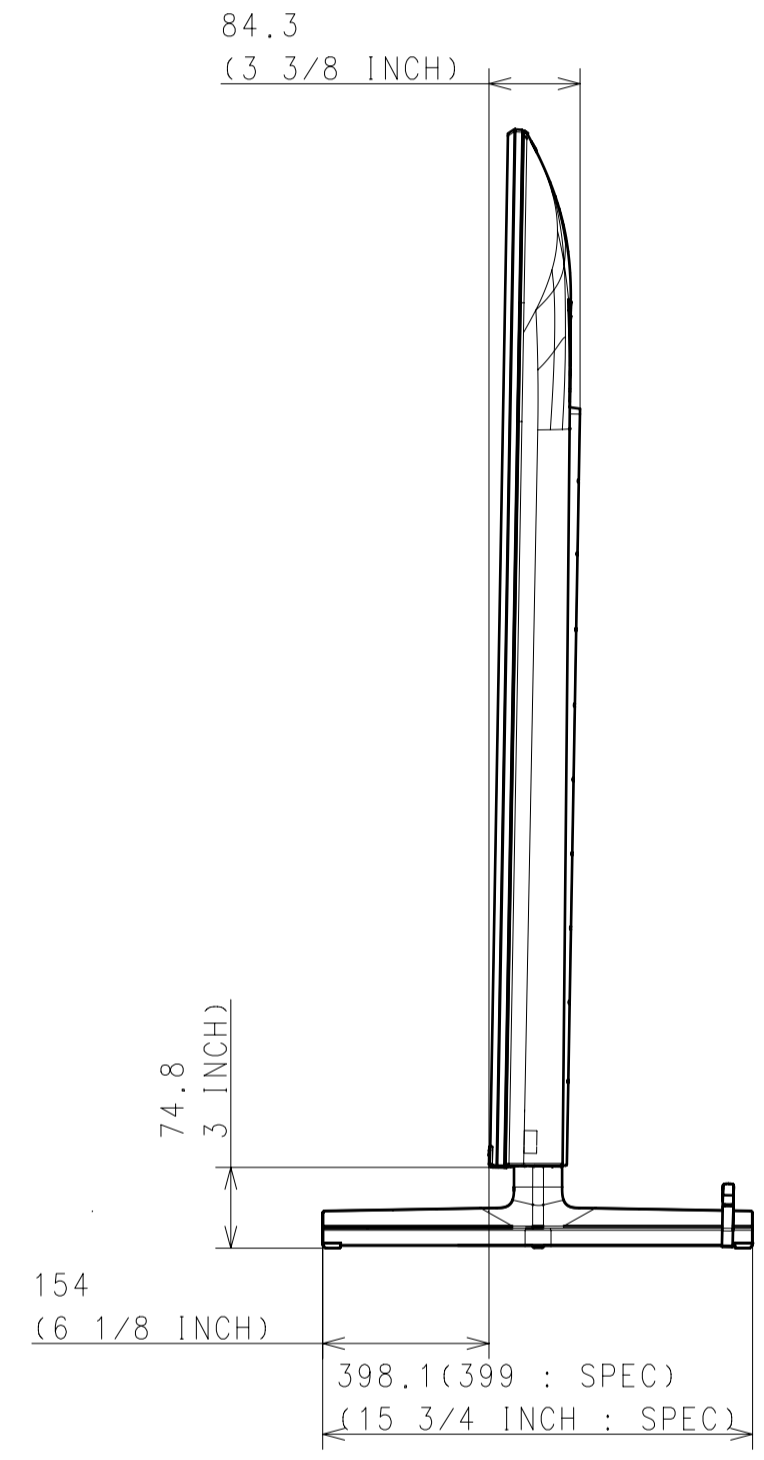
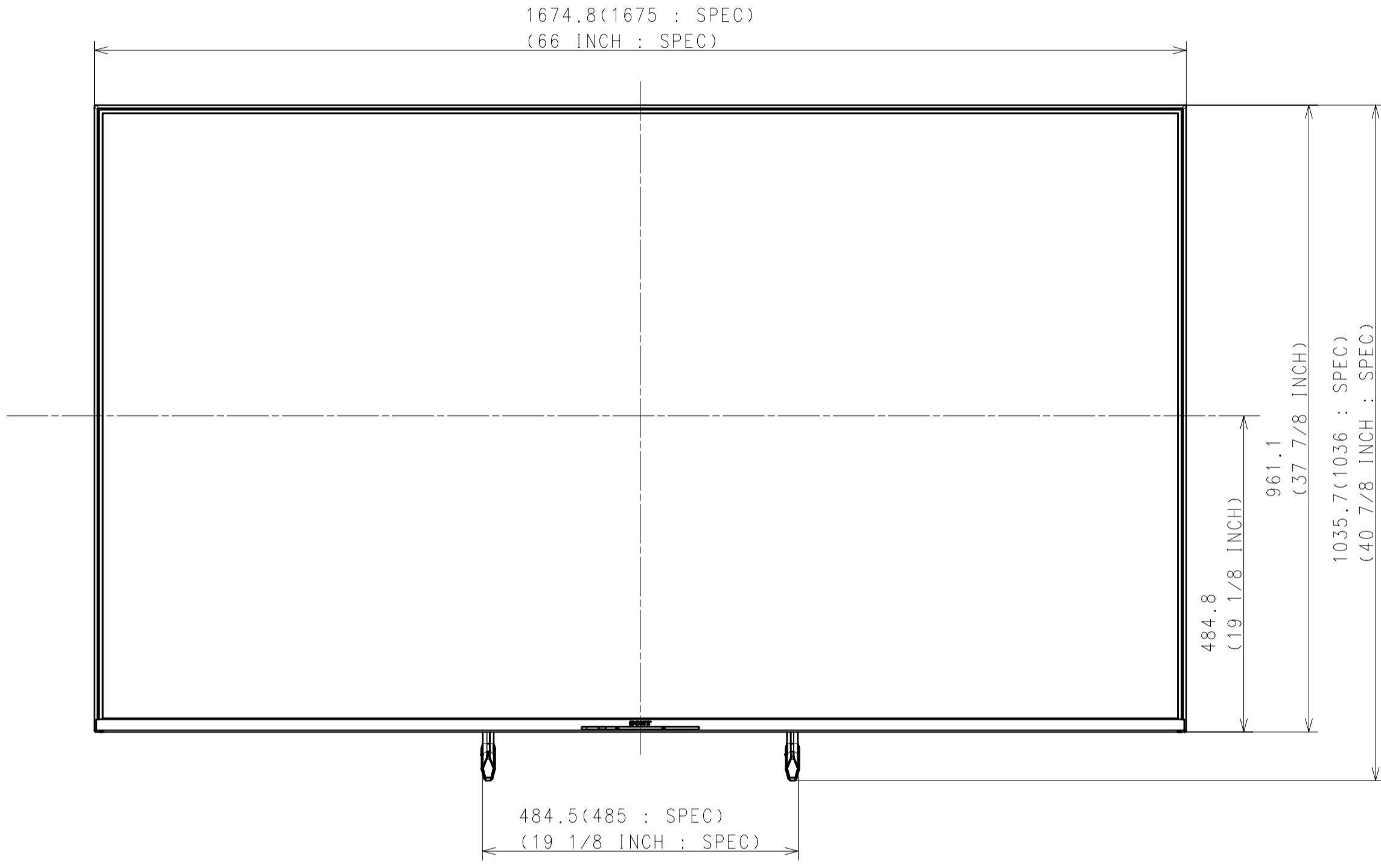
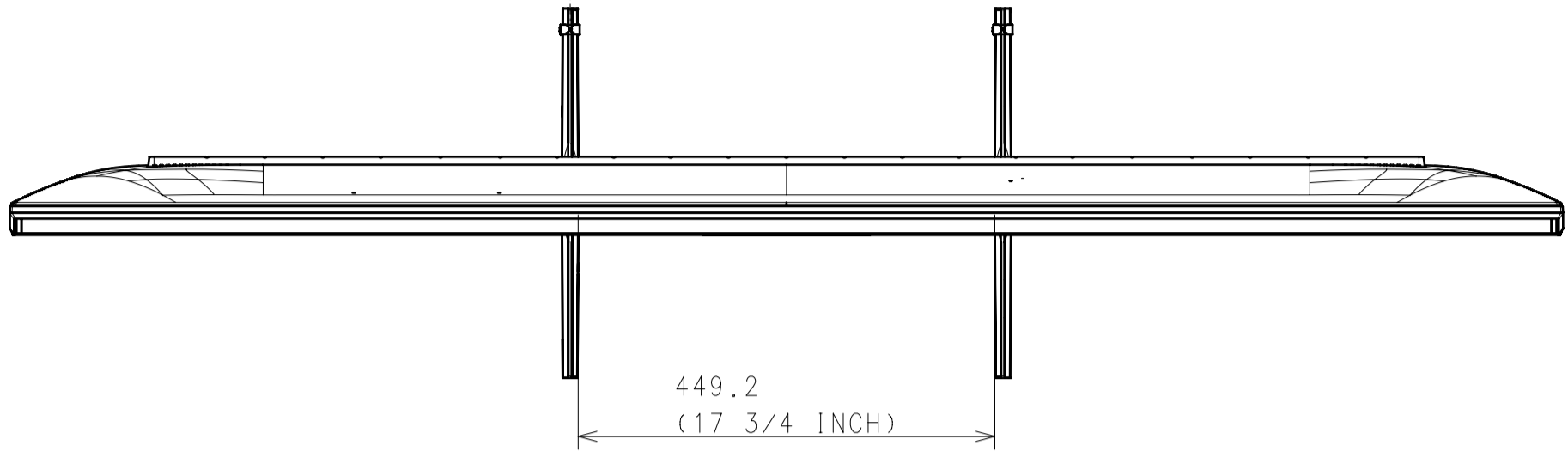


Purchase recycled resins and wire rods only from the business partners that Sony approves as Green Partners.  
再生樹脂・電線鋼線はグリーンパートナー認定受注先から調達すること。

DATE OF ISSUE	2022.10.31
GENERAL TOLERANCE	ASSEMBLY DRAWING (JIS & JIS/ISO BASIS)
MATERIAL COLOR	FINISH COLOR
RESPONSIBLE DEPARTMENT	75(X80L) EXTERIOR VIEW
PLANNED BY	2022.10.31
DESIGNED BY	2022.10.31
SCALE	1:7
SIZE	A1
UNIT	mm
SHEET/PAGES	1/5

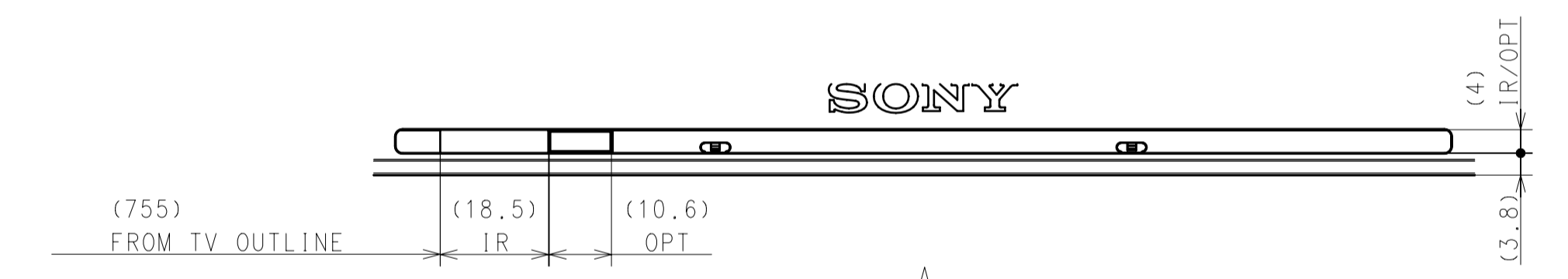
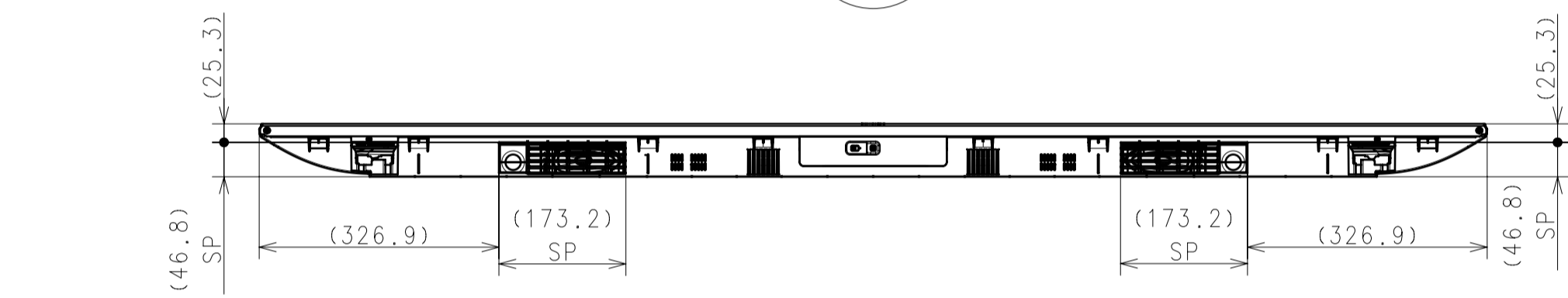
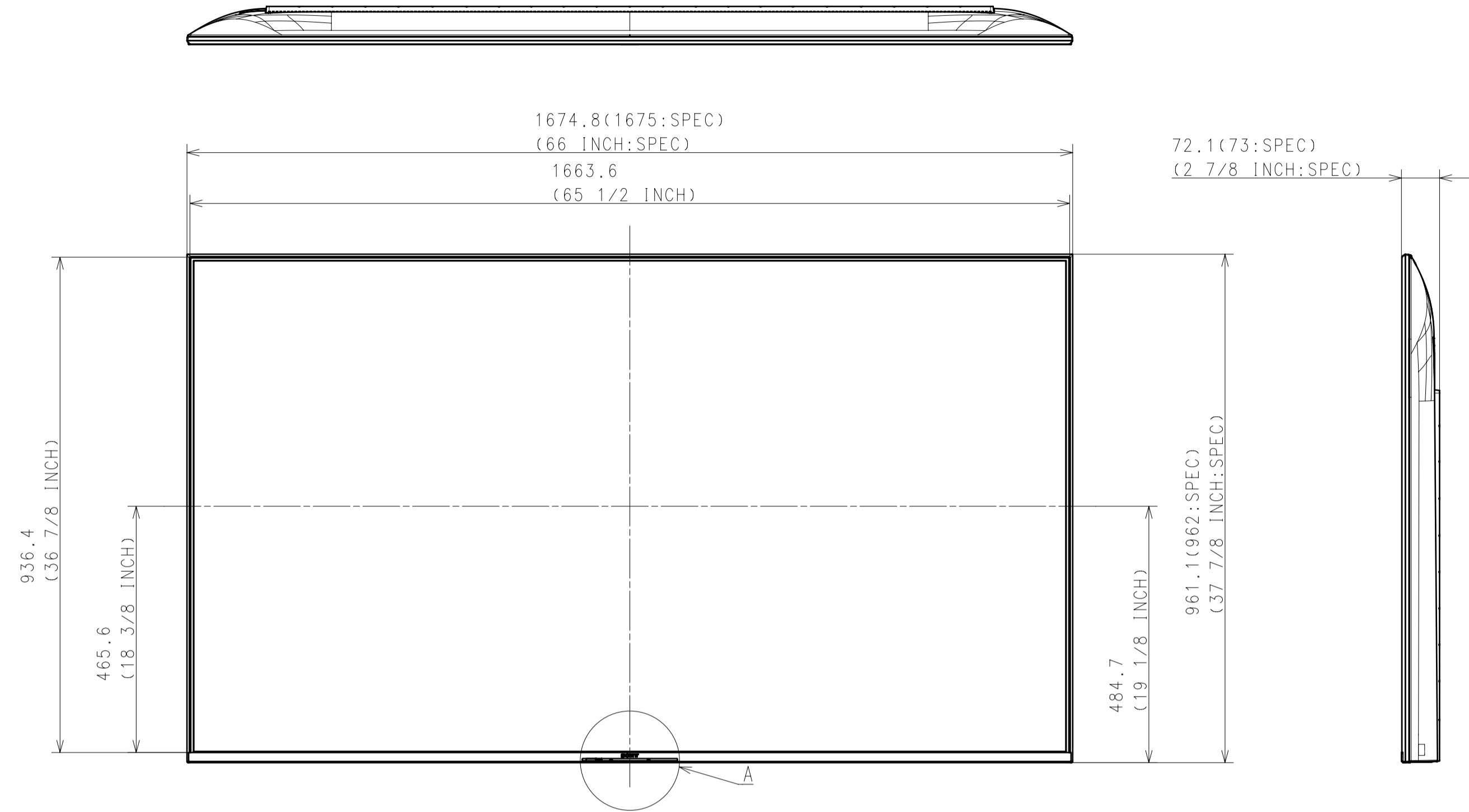
WITH STAND

NARROW POSITION  
KD-75X80L  
(EUROPE Model only)

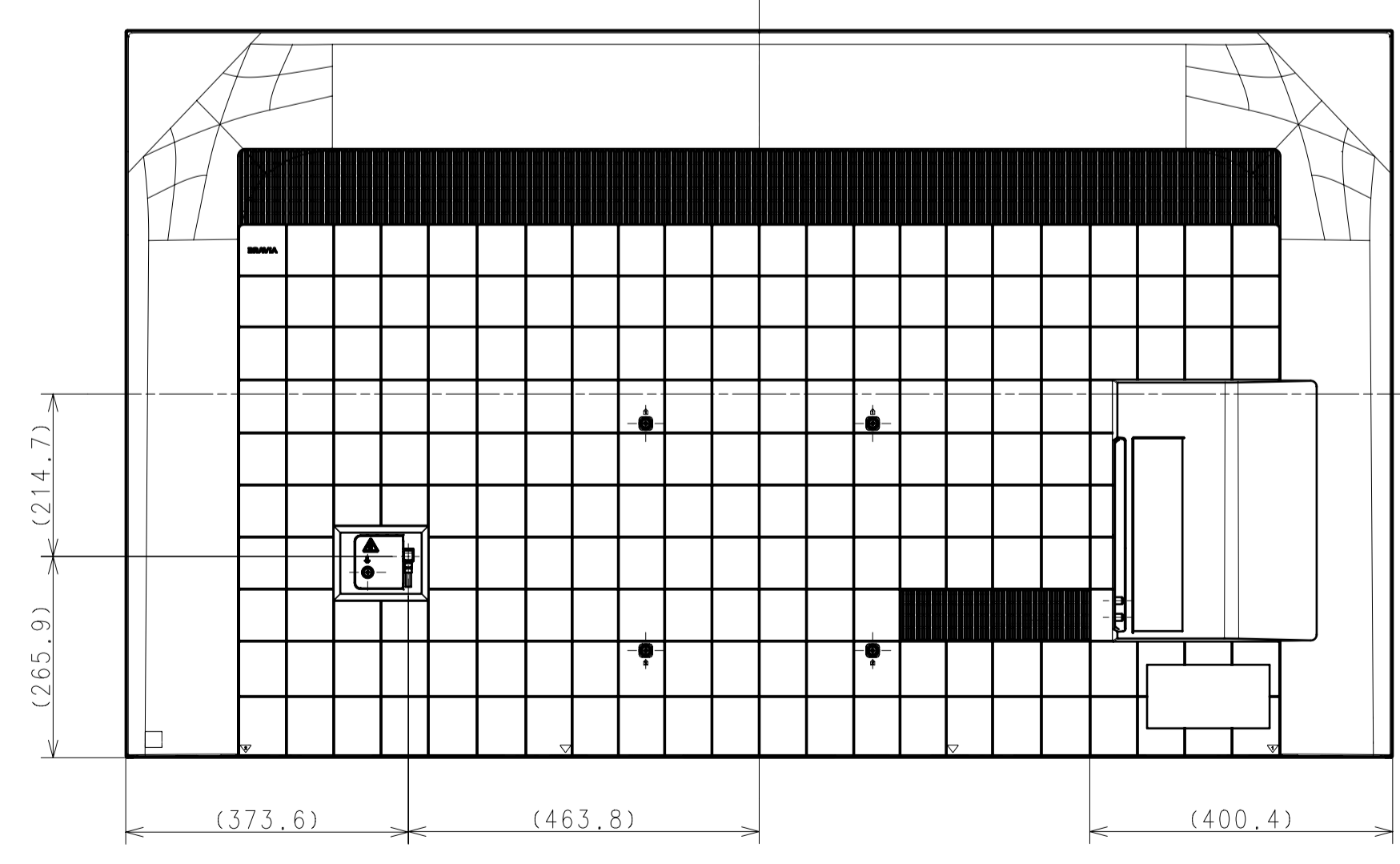


DESCRIPTION 1 75(X80L) EXTERIOR VIEW	LEGAL OWNER Sony Corporation	SCALE 1:7
DESCRIPTION 2 75(X80L) EXTERIOR VIEW	PART NO.	SHEET/PAGES 2 / 5

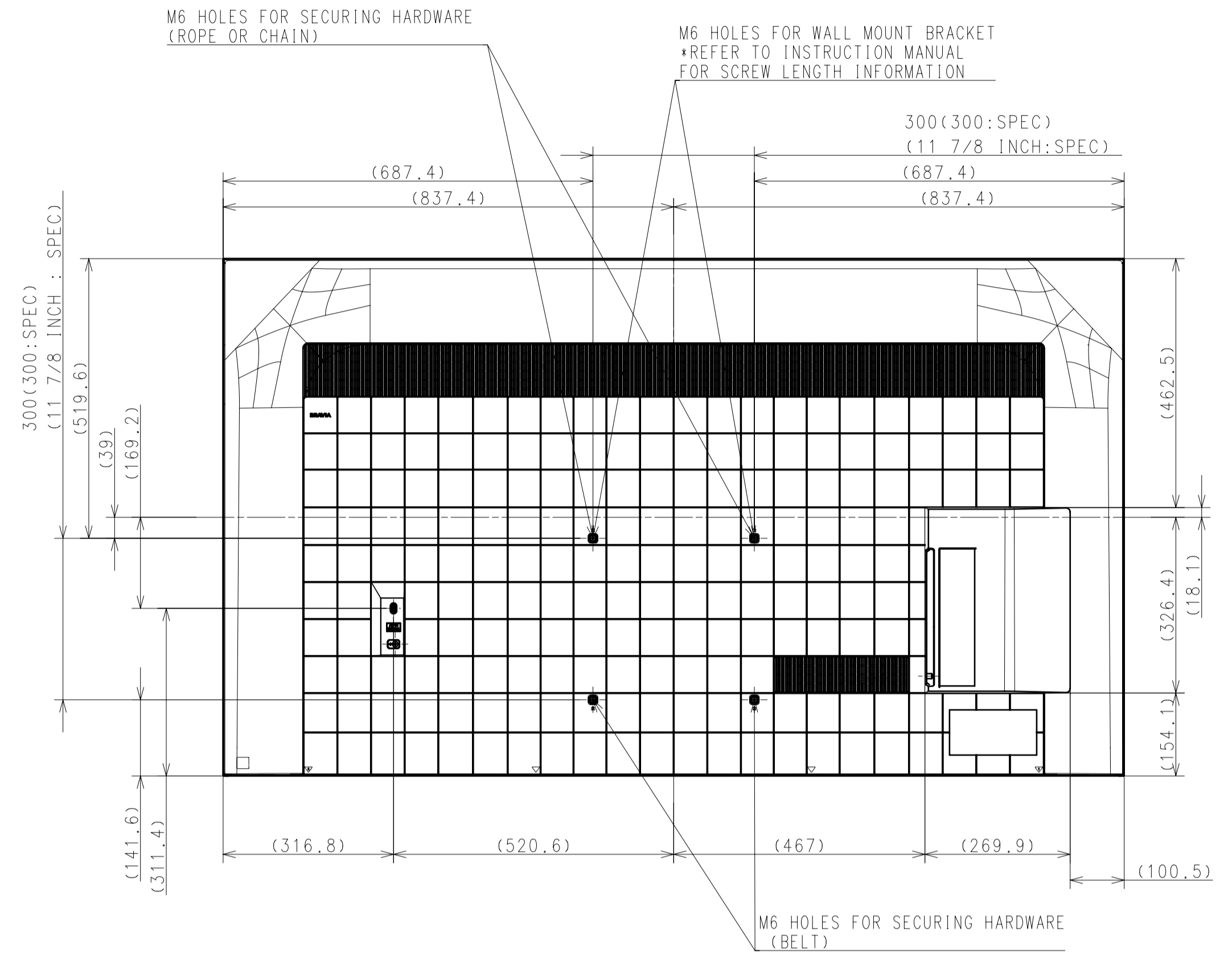
WITHOUT STAND



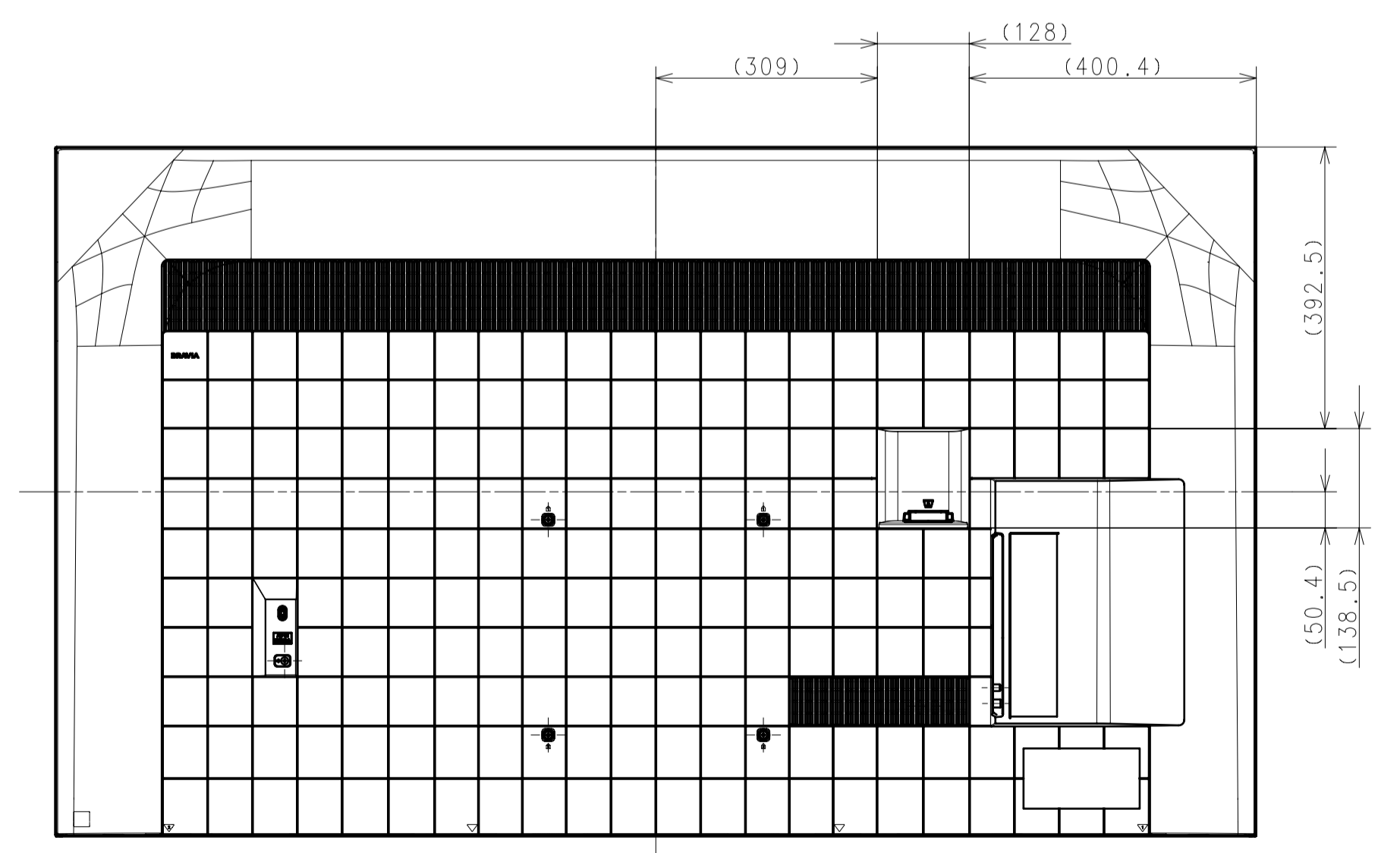
A  
1:1



For JAPAN



For GENERAL AREA, CHINA



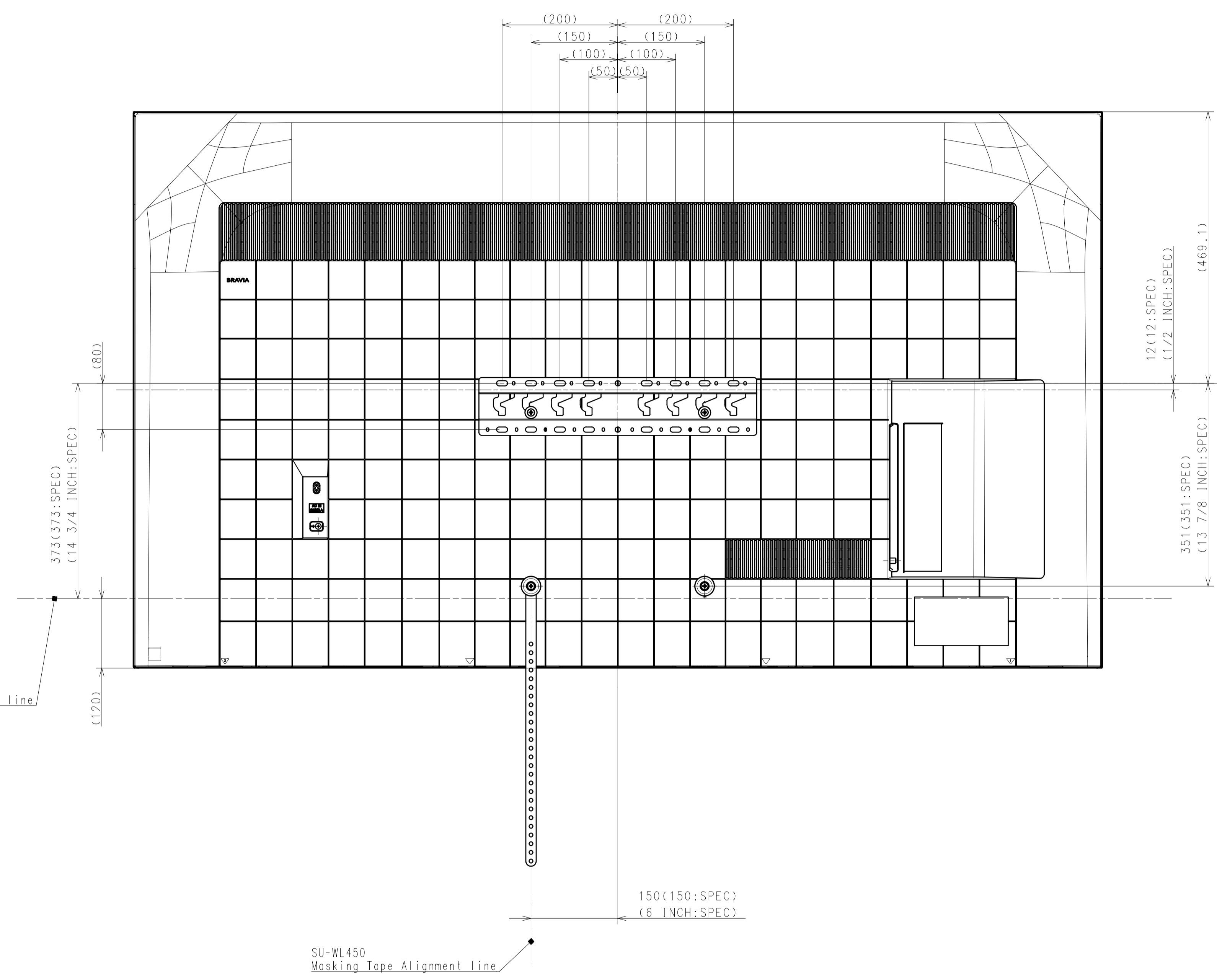
For EUROPE

DESCRIPTION 1	75(X80L) EXTERIOR VIEW	LEGAL OWNER	Sony Corporation	SCALE	1:8
DESCRIPTION 2	75(X80L) EXTERIOR VIEW	PART NO.		SHEET/PAGES	3 / 5

SU-WL450

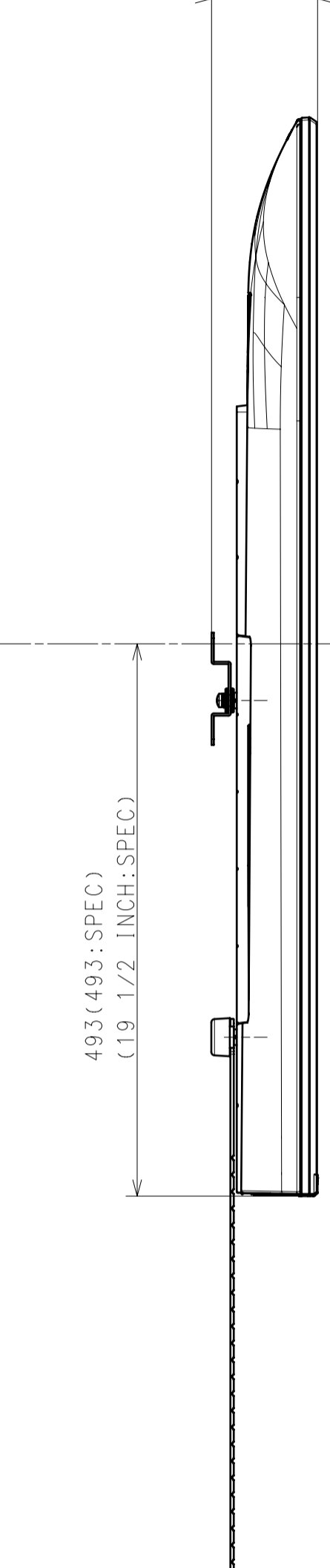
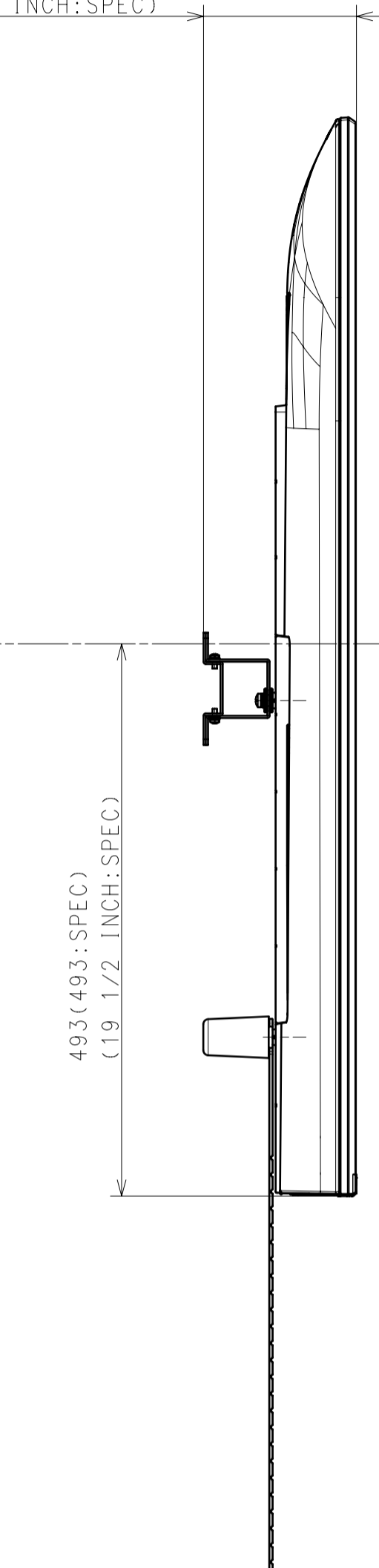
STANDARD

SLIM



137 (137:SPEC)  
(5 1/2 INCH:SPEC)

95 (95:SPEC)  
(3 3/4 INCH:SPEC)

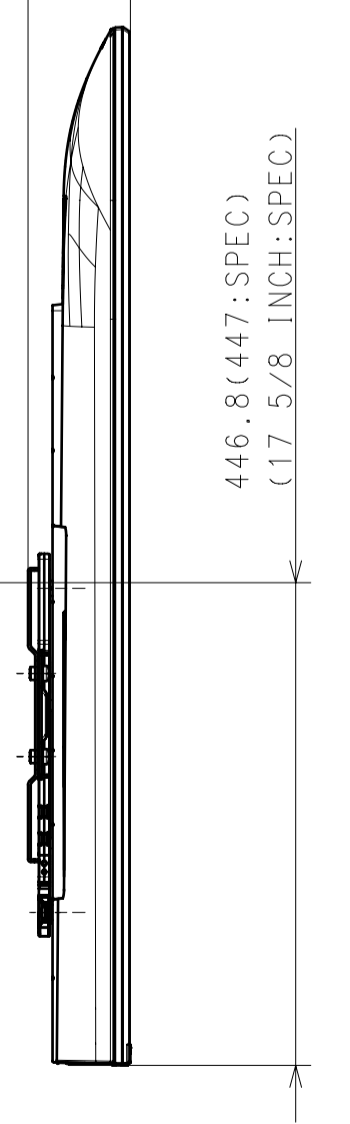
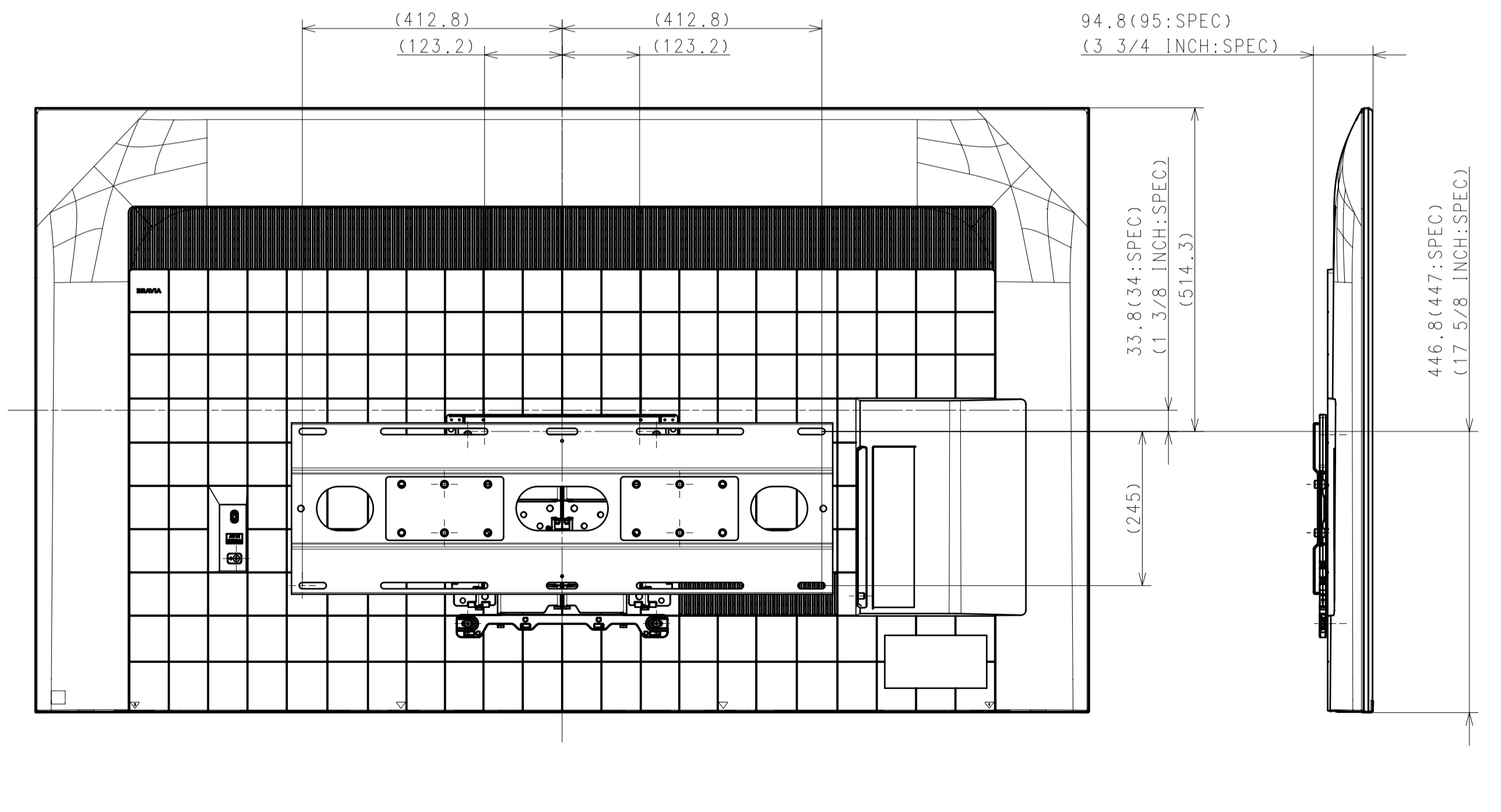
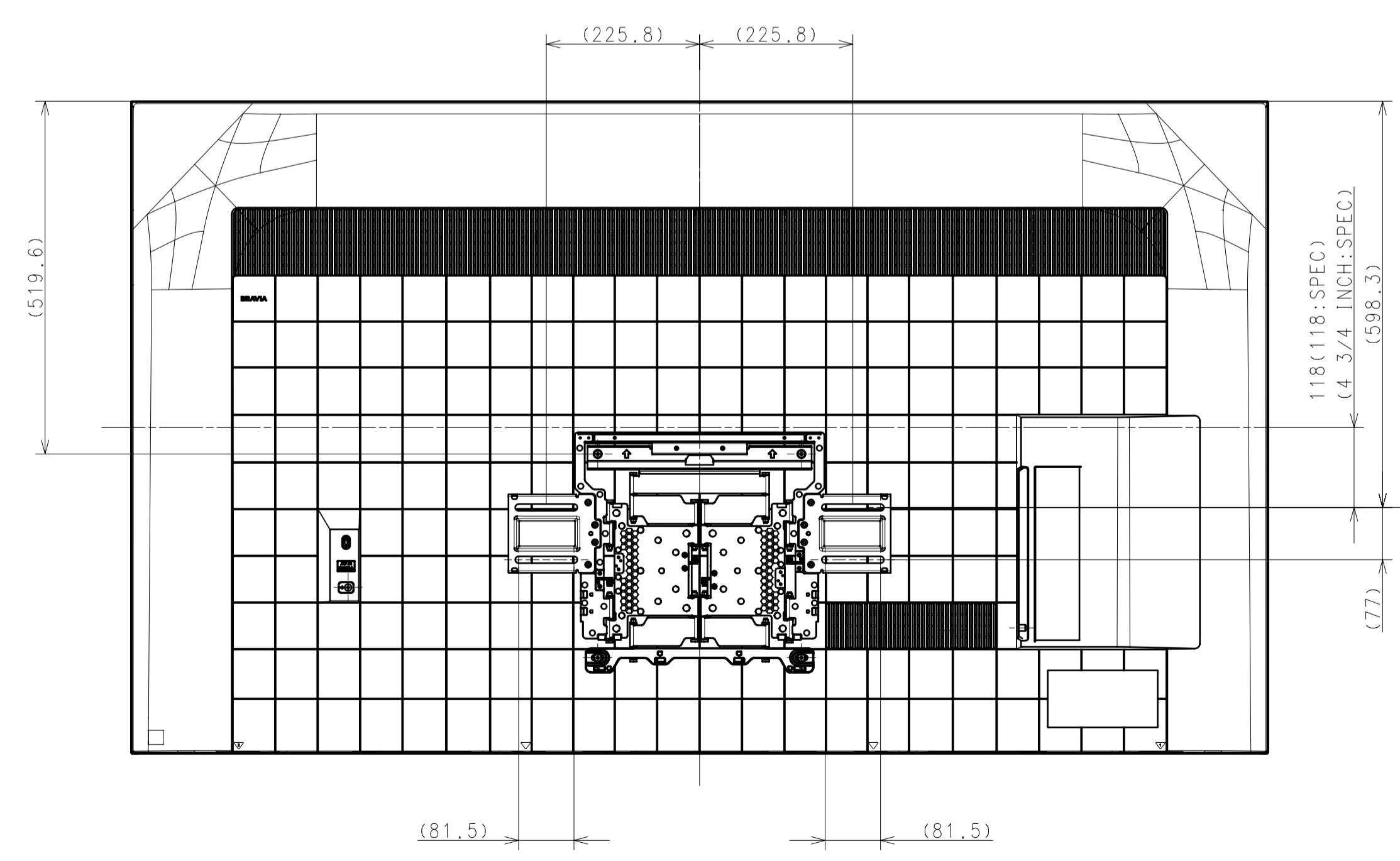
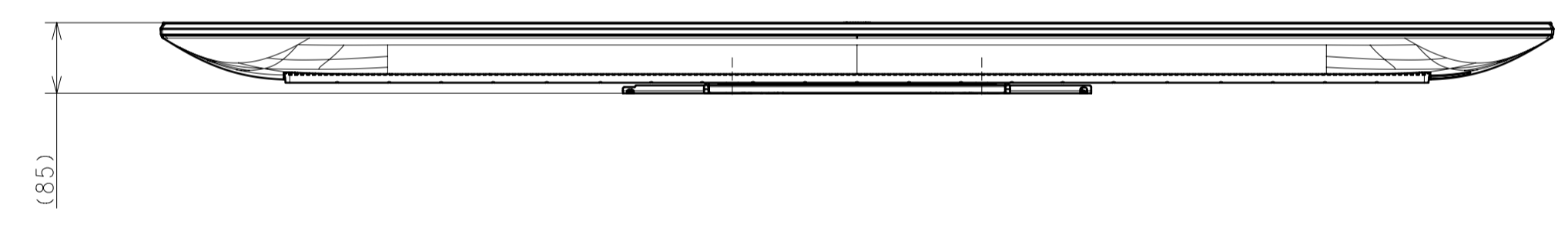
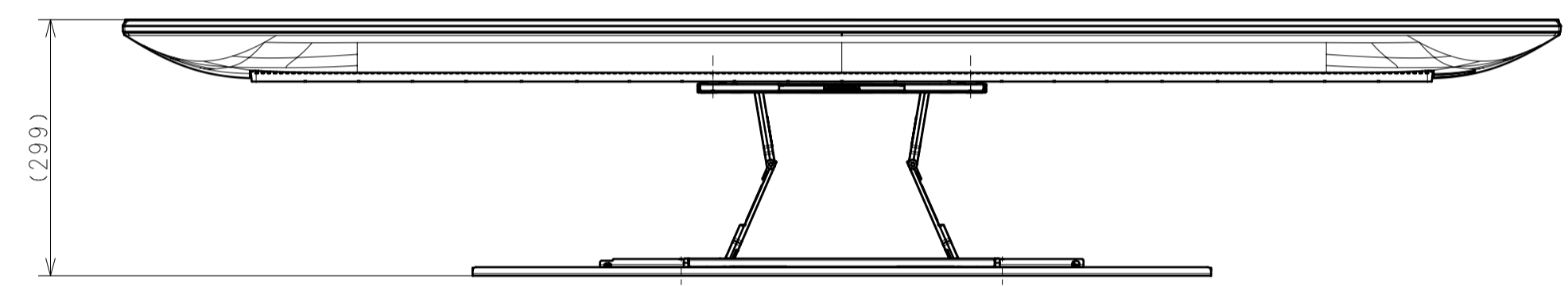
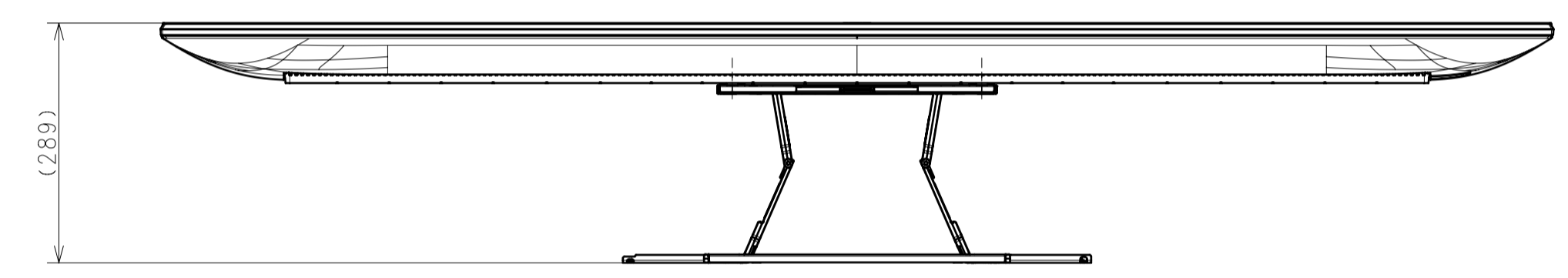
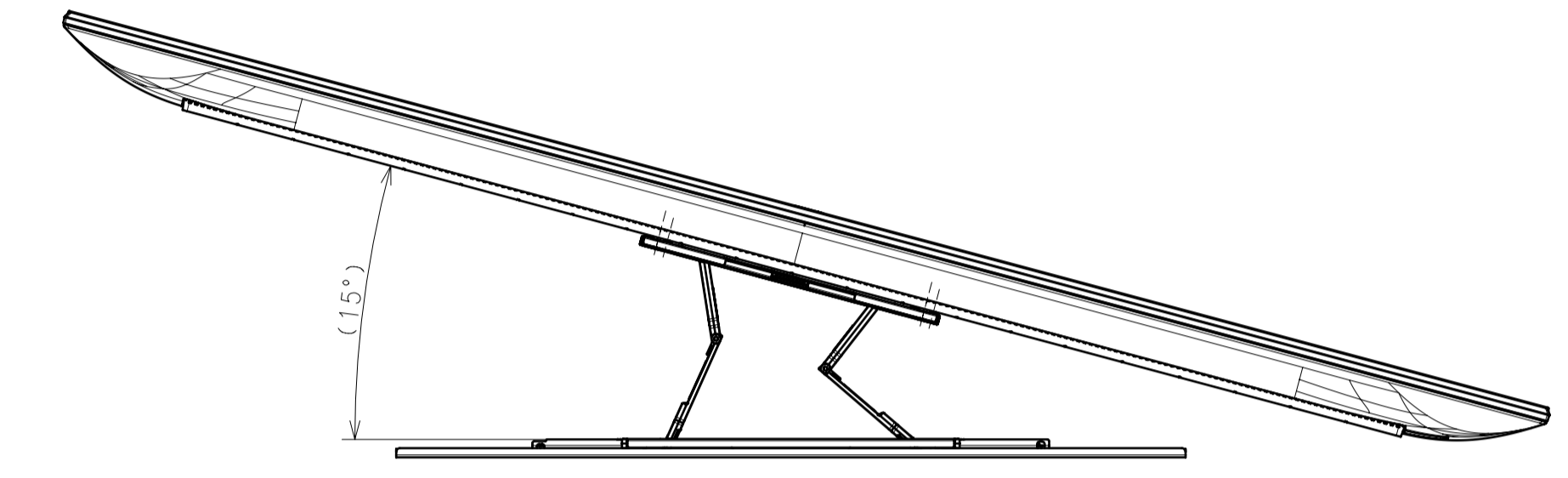
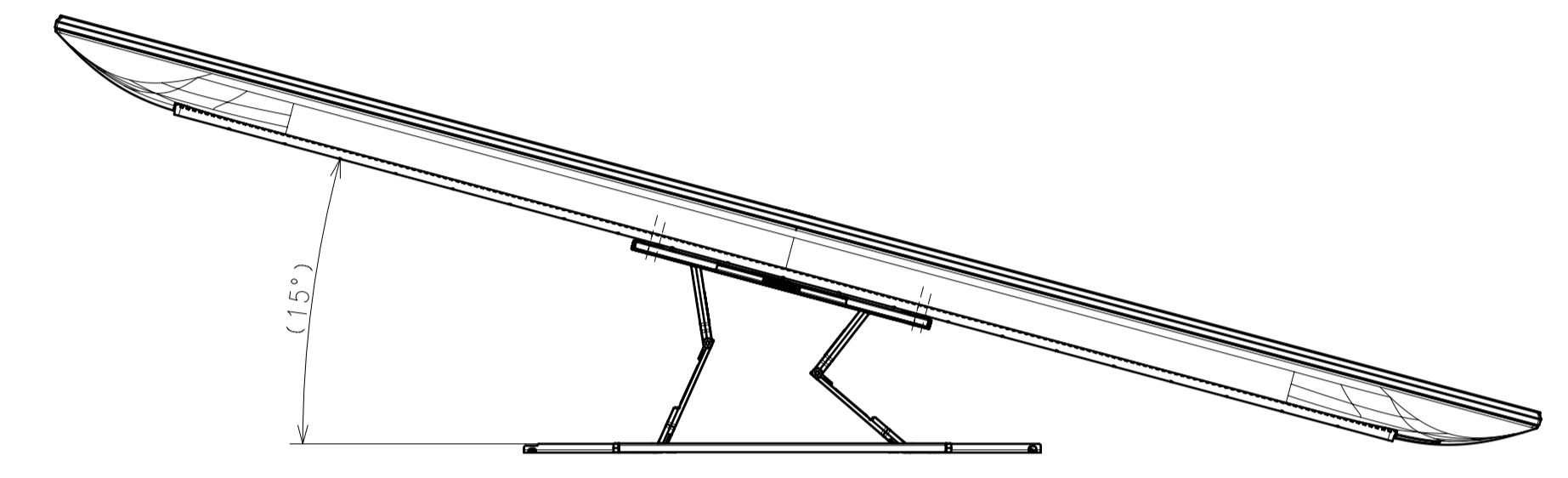
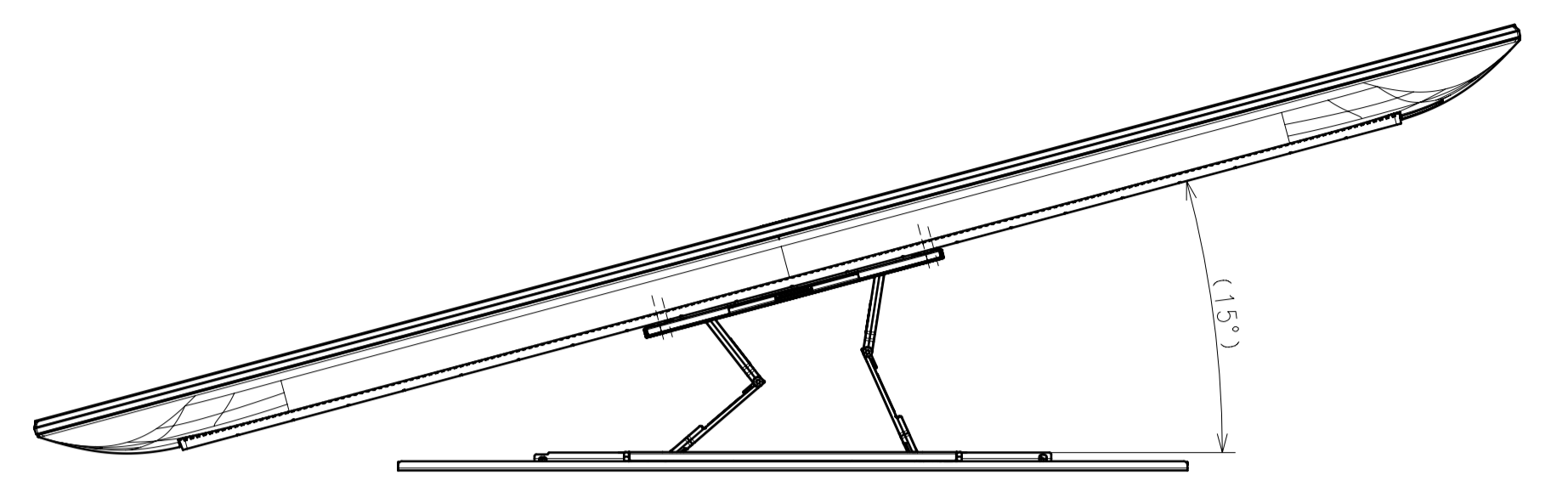
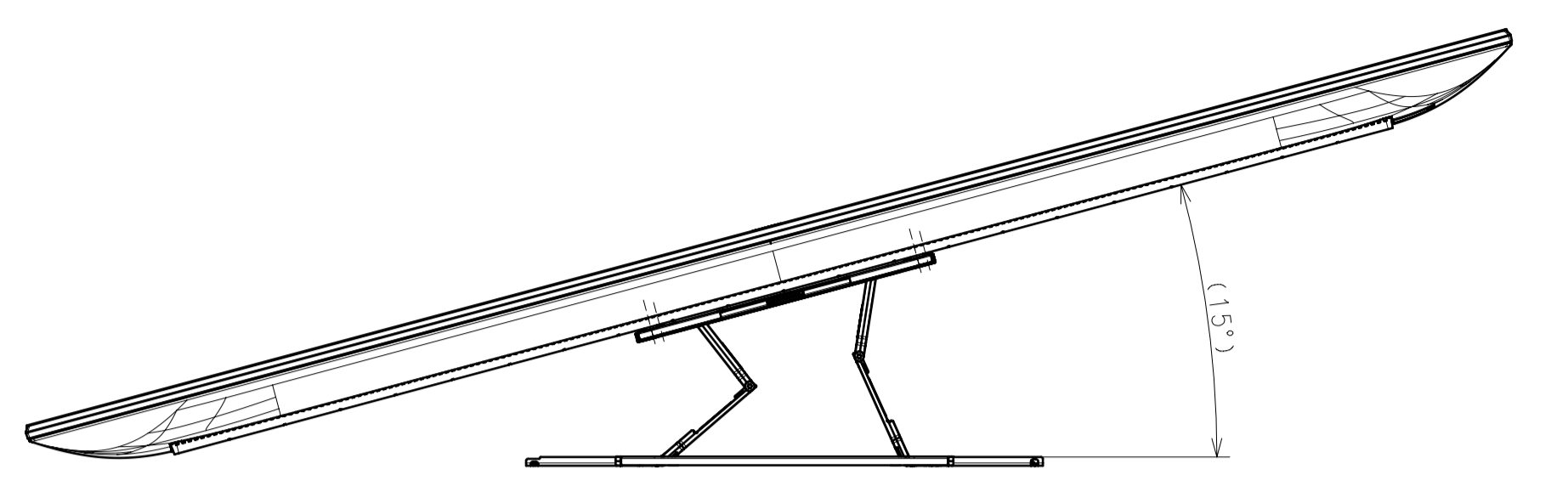


SONY STANDARD

DESCRIPTION 1	75(X80L) EXTERIOR VIEW	LEGAL OWNER	Sony Corporation	SCALE	1:5
DESCRIPTION 2	75(X80L) EXTERIOR VIEW	PART NO.		SHEET/PAGES	4 / 5

SU-WL 850

SU-WL 855 WITH LATERAL SHAFT BRACKET



DESCRIPTION 1	75(X80L) EXTERIOR VIEW	LEGAL OWNER	Sony Corporation	SCALE	1:7
DESCRIPTION 2	75(X80L) EXTERIOR VIEW	PART NO.		SHEET/PAGES	5/ 5