

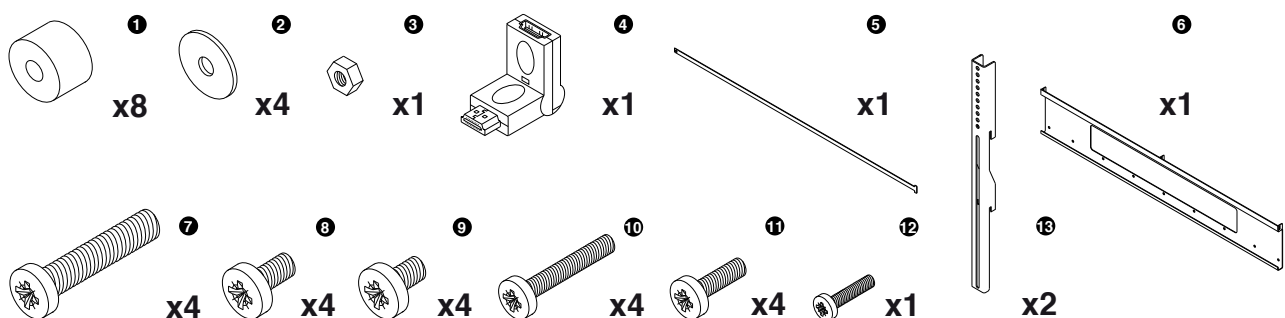
### Introduction

Thank you for purchasing this Kinetik Labs product. This bracket must be constructed and mounted by a qualified builder or installer. Please keep away from animals and small children as this contains small parts, which could be swallowed.

### Description

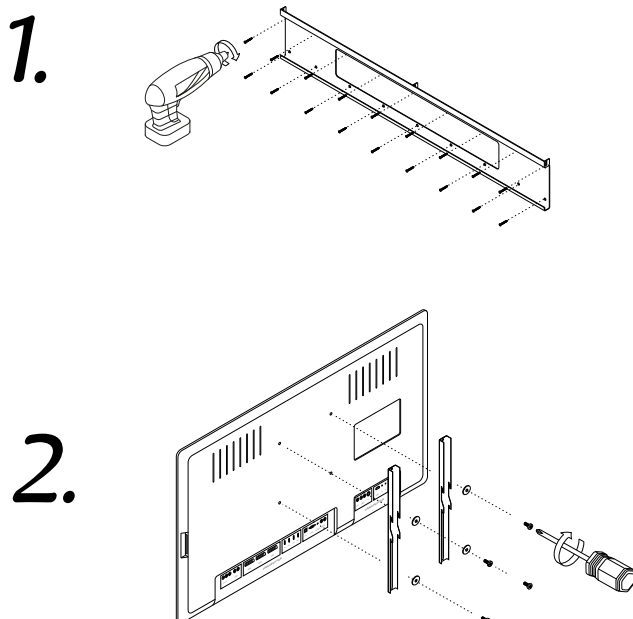
The KLIB-WB110 is a universal flat wall mounting bracket. It is designed to mount flat panel TVs and monitor displays up to a maximum weight of 80kgs on a wall. It includes a fixing rod for extra stability and security and an adjustable HDMI adaptor for wall facing HDMI connections.

### Contents



- |                           |                |              |                       |
|---------------------------|----------------|--------------|-----------------------|
| ① M8/10 spacer            | ⑤ Securing rod | ⑨ M8/12 bolt | ⑬ Vertical screen bar |
| ② M8 washer               | ⑥ Wall plate   | ⑩ M6/40 bolt |                       |
| ③ M4 nut                  | ⑦ M8/50 bolt   | ⑪ M6/16 bolt |                       |
| ④ Adjustable HDMI adaptor | ⑧ M8/16 bolt   | ⑫ M4/16 bolt |                       |

### Instructions



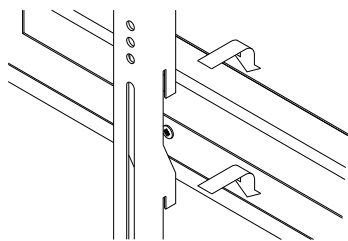
Please note: Wall fixing screws are not included with this bracket. The screw type and size required are dependent on the wall material. There are 18 fixing points, each with a diameter of 8mm.

Locate the wall plate on the surface where you wish to position the screen. The bracket top and bottom lips must face directly up. Attach the wall plate to the surface using the necessary screws.

Find the correct bolts from the accessory pack that fit the holes on the back of the screen. Use these to attach the vertical bars, orientated as shown, utilising the provided washers, bolts and spacers (as required). If necessary, plug in the HDMI adaptor into the back of the screen.

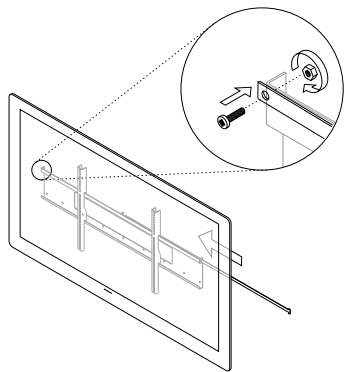
## Instructions (continued)

3.



Holding the screen, hook both the vertical bars over the wall plate lips. Make sure they are secure before letting the screen go.

4.

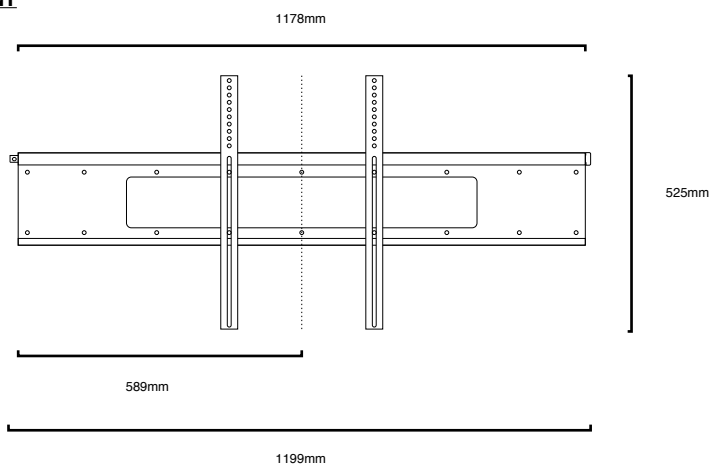


Thread the securing rod through the wall plate as shown. To lock it in place insert the M4/12 bolt through the rod and screw the nut on tightly. A small padlock can be used instead for extra security (not supplied).

## Dimensions / Specifications

### KLIB-WB110 Large Universal Flat Wall Bracket

**FRONT**



**SIDE**



Horizontal fixing range:	100 - 1100mm
Vertical fixing range:	150 - 470mm
Maximum screen weight:	80kg
Dimensions (H x W x D):	525 x 1199 x 38mm
Boxed weight:	6.75kg

© Copyright AWE Europe Ltd 2010. All rights reserved. Design and specifications are subject to change without prior notice. No part of this document may be reproduced, for any purpose, without prior written permission from AWE Europe Ltd. AWE Europe Ltd is not liable for omissions or for technical or editorial errors herein or for damages directly or indirectly resulting from the use of this Kinetik Labs product. 'Kinetik Labs' and the 'Kinetik' logo are trademarks of AWE Europe Ltd. Made in the UK for Kinetik Labs

