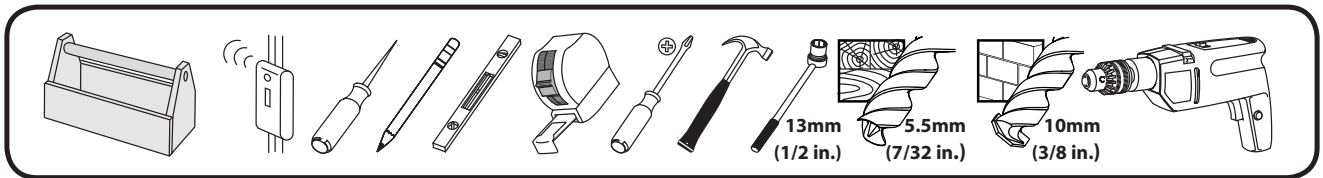
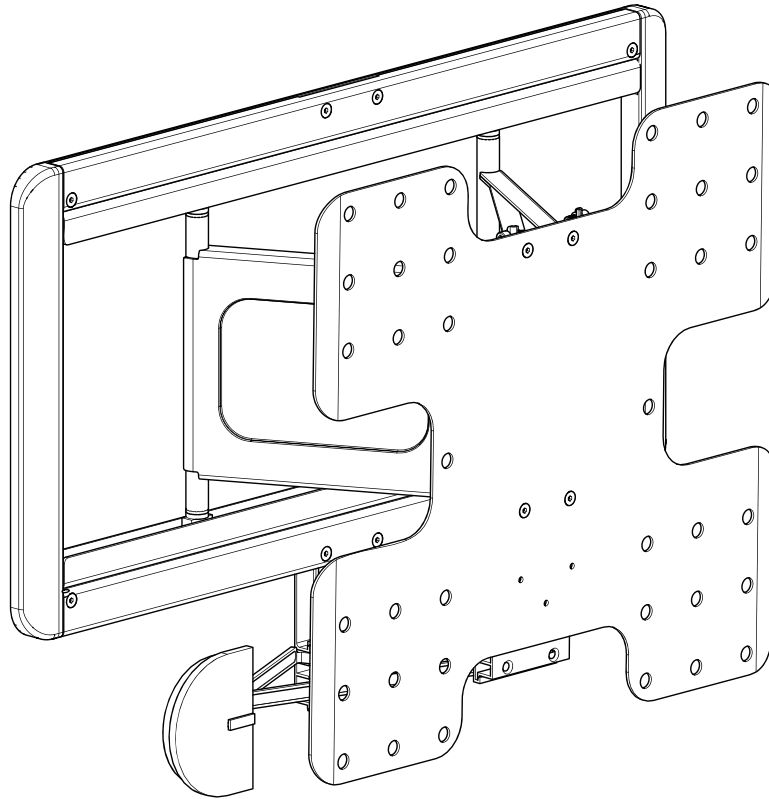
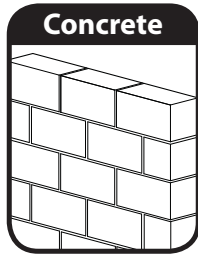
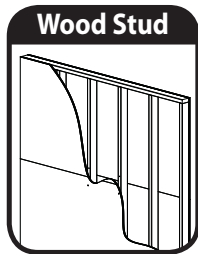




# VMF308

(6901-002066 <02>)



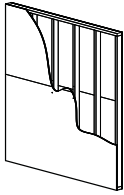
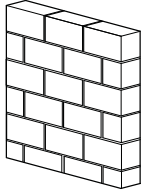


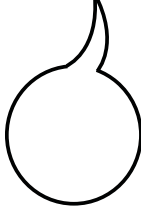
**Sanus Systems**  
2221 Hwy 36 West  
Saint Paul, MN 55113 USA

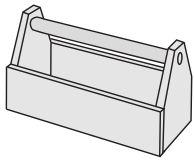
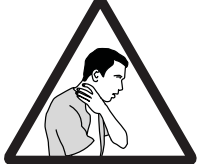



**Customer Service**  
Americas: 800-359-5520 • 651-484-7988 • info@sanus.com  
Europe, Middle East, and Africa: + 31 40 2324700 • europe.sanus@milestone.com  
Asia Pacific: 86 755 8996 9226 • sanus.ap@milestone.com


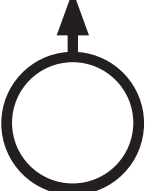
**sanus.com**

©2010 Milestone AV Technologies, a Duchossois Group Company.  
All rights reserved. Sanus is a division of Milestone.  
All other brand names or marks are used for identification purposes and are trademarks of their respective owners.



				
<b>English</b> Wood stud walls	Concrete/Concrete Block Walls	Choose an Option	Do Not	Alternate View
<b>Français</b> Structure de murs en bois	Murs en béton coulé ou en blocs de béton	Sélectionnez une option	Interdit	Autre vue
<b>Deutsch</b> Holzbalkenwände	Beton-/Betonsteinwände	Wählen Sie eine Option	Tun Sie Folgendes nicht	Alternative Ansicht
<b>Español</b> Paredes con montantes de madera	Paredes de hormigón o de bloques de hormigón	Elija una opción	Prohibido	Vista ampliada
<b>Português</b> Paredes de pino de madeira	Paredes de concreto/Paredes de bloco de concreto	Escolha uma opção	Não	Exibição alternada
<b>Nederlands</b> Muren met houten balkenconstructie	Muren van beton/betonblokken	Kies een optie	Niet	Alternatieve weergave
<b>Italiano</b> Pareti con montanti in legno	Pareti in calcestruzzo/blocchi di calcestruzzo	Scegliere un'opzione	Divieto	Visualizzazione alternativa
<b>Ελληνικά</b> Τοίχοι με ξύλινους ορθοστάτες	Τοίχοι από σκυρόδεμα/τσιμεντόλιθους	Επιλέξτε μια επιλογή	Μην	Εναλλακτική προβολή
<b>Norsk</b> Vegger med trestendere	Betongvegger/vegger av betongblokker	Velg et alternativ	Forbudt	Alternativ visning
<b>Dansk</b> Vægge med trædyveler	Beton / betonblokvægge	Vælg en mulighed	Advarsel	Skift visning
<b>Svenska</b> Väggar med träreglar	Betong/Betongvägg	Välj ett alternativ	Gör inte	Annan vinkel
<b>Русский</b> Стена с деревянным каркасом	Стены из бетона/бетонных блоков	Выберите вариант	Запрещается	Альтернативный вид
<b>polSKI</b> Drewniane ściany szkieletowe	Ściany z betonu lub pustaków betonowych	Wybrać opcję	Nie należy:	Widok z innej strony
<b>Česky</b> Zdi s dřevěnými výztuhami	Zdi z betonu/panelů	Vyberte jednu možnost	Nedělat	Alternativní zobrazení
<b>Türkçe</b> Ahşap Profilli Duvarlar	Beton/Beton Blok Duvarlar	Seçeneklerden Birini Belirleyin	Yapılmaması Gerekenler	Diğer Görünüm
<b>日本語</b> 木製スタッド壁	コンクリート/コンクリートブロック壁	オプションの選択	禁止事項	別の角度からの図
<b>中文</b> 木墙柱墙壁	混凝土/混凝土砌块墙	选择一个选项	请勿	交换视图

				
<b>English</b> Tools required	<b>WARNING:</b> This product contains small items that could be a choking hazard.	<b>CAUTION / WARNING</b>	Repeat Step	Heavy! Assistance Required.
<b>Français</b> Outils nécessaires	Ce produit contient de petites pièces qui peuvent représenter un risque d'étouffement.	<b>ATTENTION/ AVERTISSEMENT!</b>	Répétez l'étape	TRÈS LOURD ! Cette étape requiert deux personnes.
<b>Deutsch</b> Benötigte Werkzeuge	Dieses Produkt enthält kleine Teile, die zum Erstickungstod führen können.	<b>VORSICHT / WARNUNG</b>	Wiederholen Sie den Schritt	VORSICHT, SCHWER! Bei diesem Schritt werden Sie Hilfe benötigen.
<b>Español</b> Herramientas necesarias	Este producto contiene piezas pequeñas que, si fuesen tragadas, podrían producir asfixia.	<b>PRECAUCIÓN /ADVERTENCIA!</b>	Repita este paso	¡PESADO! Necesitará ayuda para realizar esta operación.
<b>Português</b> Ferramentas necessárias	Este produto contém itens pequenos que podem oferecer risco de sufocamento.	<b>ATENÇÃO / AVISO!</b>	Repita a etapa	PESADO! Necessitará de ajuda nesta etapa.
<b>Nederlands</b> Benodigd gereedschap	Dit product bevat kleine onderdelen die stikingsgevaar kunnen opleveren.	<b>VOORZICHTIG/ WAARSCHUWING</b>	Herhaal stap	ZWAAR! Voor het uitvoeren van deze stap is assistentie vereist.
<b>Italiano</b> Strumenti richiesti	Questo prodotto comprende elementi di piccole dimensioni che potrebbero causare il soffocamento.	<b>PRECAUZIONE/ AVVERTENZA</b>	Ripetere l'operazione	PESANTE! Per questa operazione, si avrà bisogno di aiuto.
<b>Ελληνικά</b> Απαιτούμενα εργαλεία	Το προϊόν αυτό περιλαμβάνει μικρά αντικείμενα που μπορεί να αποτελέσουν κίνδυνο πνιγμού.	<b>ΠΡΟΣΟΧΗ/ ΠΡΟΕΙΔΟΠΟΙΗΣΗ</b>	Επαναλάβετε το βήμα	ΒΑΡΥ! Θα χρειαστείτε βοήθεια σ' αυτό το βήμα.
<b>Norsk</b> Nødvendig verktøy	Dette produktet inneholder små elementer som kan utgjøre kvelefare.	<b>FORSIKTIG/ADVARSEL</b>	Gjenta trinn	TUNGT! Du vil trenge hjelp til denne operasjonen.
<b>Dansk</b> Redskaber, der skal bruges	Dette produkt indeholder små dele, som kan forårsage kvælning, hvis de bliver slugt.	<b>FORSIGTIG/ADVARSEL</b>	Gentag trin	TUNGT! Du skal bruge hjælp, når du udfører dette trin.
<b>Svenska</b> Verktyg som behövs	Den här produkten innehåller små delar som kan utgöra kvävningsrisk.	<b>FÖRSIKTIGHET/VARNING</b>	Upprepa steg	TUNGT! Du kommer att behöva hjälp under det här steget.
<b>Русский</b> Необходимые инструменты	В изделии есть мелкие детали, которые могут стать причиной удушья при попадании в дыхательные пути.	<b>ПРЕДУПРЕЖДЕНИЕ/ ПРЕДУПРЕЖДЕНИЕ</b>	Повторить действие	БОЛЬШОЙ ВЕС! При выполнении данной операции вам понадобится помощь.
<b>polski</b> Wymagane narzędzia	Produkt zawiera małe elementy, które mogą grozić zakrztuszeniem.	<b>UWAGA / OSTRZEŻENIE</b>	Powtórzyc krok	CIĘŻKIE! W tej czynności potrzebna będzie pomoc drugiej osoby.
<b>Česky</b> Požadované nástroje	Tento výrobek obsahuje malé součástky, které hrozí rizikem zadušení.	<b>POZOR / VAROVÁNÍ</b>	Opakovat krok	TĚŽKÉ! K tomuto kroku budete potřebovat pomocníka.
<b>Türkçe</b> Gereken Aletler	Bu ürün, boğulma tehlikesine neden olabilecek küçük parçalar içermektedir.	<b>DİKKAT / UYARI</b>	Adımı Tekrarlayın	AĞIR MALZEME! Bu aşamada yardıma ihtiyacınız vardır.
<b>日本語</b> 必要なツール	本製品には小さい部品が付属しており、窒息の危険性があります。	注意 / 警告	手順の繰り返し	重量あり！この操作は2人で行ってください。
<b>中文</b> 需要的工具	此产品包含可能带来窒息危险的小组件。	小心 / 警告	重复步骤	支架臂很重！该步骤需要协助。

	
<b>English</b> Troubleshooting and Maintenance	This End Up
<b>Français</b> Dépannage et maintenance	Ce côté vers le haut
<b>Deutsch</b> Fehlerbehebung und Wartung	Dieses Ende nach oben
<b>Español</b> Resolución de problemas y mantenimiento	Este extremo hacia arriba
<b>Português</b> Solução de problemas e manutenção	Esta extremidade para cima
<b>Nederlands</b> Probleemoplossing en onderhoud	Deze zijde boven
<b>Italiano</b> Risoluzione dei problemi e manutenzione	Alto
<b>Ελληνικά</b> Αντιμετώπιση προβλημάτων και Συντήρηση	Με αυτό το άκρο προς τα επάνω
<b>Norsk</b> Feilsøking og vedlikehold	Denne siden opp
<b>Dansk</b> Fejlfinding og Vedligeholdelse	Denne ende skal være opad
<b>Svenska</b> Felsökning och underhåll	Denna sida upp
<b>Русский</b> Устранение неисправностей и обслуживание	Этим концом вверх
<b>polski</b> Rozwiązywanie problemów i konserwacja	Tym końcem do góry
<b>Česky</b> Řešení problémů a údržba	Tímto koncem vzhůru
<b>Türkçe</b> Sorun Giderme ve Bakım	Bu Uç Yukarı
<b>日本語</b> トラブルシューティングとメンテナンス	この面を上にします
<b>中文</b> 故障排除与维护	此端向上

## English

IMPORTANT SAFETY INSTRUCTIONS – SAVE THESE INSTRUCTIONS – PLEASE READ ENTIRE MANUAL BEFORE USING THIS PRODUCT

For best results, reference both the text and illustrations when using this manual. Cut along the dashed lines to match your language with the illustrations.

English Text Pages **6**

## Français

INFORMATIONS IMPORTANTES CONCERNANT LA SÉCURITÉ – CONSERVEZ CES INSTRUCTIONS – VEUILLEZ LIRE ATTENTIVEMENT LE MANUEL AVANT D'UTILISER CE PRODUIT

Pour obtenir de meilleurs résultats, reportez-vous à la fois au texte et aux illustrations lorsque vous consultez ce manuel. Couper le long de la ligne pointillée pour faire correspondre les illustrations à votre langue de préférence.

Texte français page **24**

## Deutsch

WICHTIGE SICHERHEITSHINWEISE – BEWAHREN SIE DIESE HINWEISE SORGFÄLTIG AUF – LESEN SIE VOR DEM GEBRAUCH DES PRODUKTS DAS GESAMTE HANDBUCH

Die Montage ist am einfachsten, wenn Sie den Text und die Abbildungen zusammen verwenden. Schneiden Sie daher den Text in Ihrer Sprache aus (gestrichelte Linien), um ihn den Abbildungen gegenüberstellen zu können. Deutscher Text Seiten **26**

## Español

INSTRUCCIONES IMPORTANTES DE SEGURIDAD – CONSERVE ESTAS INSTRUCCIONES – LEA TODO EL MANUAL ANTES DE UTILIZAR ESTE PRODUCTO

Para obtener mejores resultados, consulte el texto y las ilustraciones cuando utilice este manual. Corte por las líneas punteadas para hacer coincidir su idioma con las ilustraciones.

Español Páginas de texto **28**

## Português

INSTRUÇÕES DE SEGURANÇA IMPORTANTES – GUARDE ESTAS INSTRUÇÕES – LEIA O MANUAL INTEIRO ANTES DE USAR ESTE PRODUTO

Para obter melhores resultados, consulte o texto e as ilustrações ao usar este manual. Recorte nas linhas tracejadas para combinar seu idioma com as ilustrações.

Texto em português Páginas **30**

## Nederlands

BELANGRIJKE VEILIGHEIDSLINSTRUCTIES – BEWAAR DEZE GOED – GAAT GEBRUIKEN

Voor de beste resultaten moet u zowel de tekst als de illustraties raadplegen wanneer u deze handleiding gebruikt. Gebruik de stippellijnen om uw taal bij de illustraties te plaatsen.

Nederlandse tekst op pagina **32**

## Italiano

ISTRUZIONI DI SICUREZZA IMPORTANTI – CONSERVARE CON CURA QUESTE ISTRUZIONI – LEGGERE TUTTE LE ISTRUZIONI PRIMA DI USARE QUESTO PRODOTTO

Per risultati ottimali, fare riferimento sia al testo che alle illustrazioni di questo manuale. Tagliare lungo le linee tratteggiate per abbinare il testo nella propria lingua alle illustrazioni.

Testo in italiano alle pagine **34**

## Ελληνικά

ΣΗΜΑΝΤΙΚΕΣ ΟΔΗΓΙΕΣ ΑΣΦΑΛΕΙΑΣ - ΦΥΛΑΞΤΕ ΑΥΤΕΣ ΤΙΣ ΟΔΗΓΙΕΣ – ΔΙΑΒΑΣΤΕ ΟΛΟΚΛΗΡΟ ΤΟ ΕΓΧΕΙΡΙΔΙΟ ΠΡΙΝ ΧΡΗΣΙΜΟΠΟΙΗΣΤΕ ΑΥΤΟ ΤΟ ΠΡΟΪΟΝ

Για βέλτιστα αποτελέσματα, ανατρέξτε στο κείμενο και τις εικόνες κατά τη χρήση αυτού του εγχειριδίου. Κόψτε κατά μήκος των διακεκομμένων γραμμών για να αντιστοιχίσετε τη γλώσσα σας με τις εικόνες.

Ελληνικό κείμενο, σελίδες **36**

## Norsk

VIKTIGE SIKKERHETSINSTRUKSJONER – TA VARE PÅ DISSE INSTRUKSJONENE – LES HELE HÅNDBOKEN FØR DU BRUKER DETTE PRODUKTET

Se tekst og illustrasjoner i håndboken for beste resultater. Klipp langs de stiplede linjene for å samsvare det aktuelle språket med illustrasjonene.

Norsk tekst side **38**

## Dansk

VIKTIGE SIKKERHEDSOPLYSNINGER – GEM DISSE OPLYSNINGER – LÆS HELE DENNE VEJLEDNING IGENNEM FØR BRUG

For at opnå det bedste resultat, skal både tekst og illustrationer i denne manual bruges. Klip langs den stiplede linje, så afsnittet med dit sprog passer til illustrationerne.

Dansk tekst side **40**

## Svenska

VIKTIGA SÄKERHETSANVISNINGAR – SPARA DESSA ANVISNINGAR – LÄS HELA HANDBOKEN INNAN DU ANVÄNDER DENNA PRODUKT

För bästa resultat, hänvisa till både text och bilder när du använder denna bruksanvisning. Klipp längs de streckade linjerna för att matcha ditt språk med bilderna.

Svensk text sida **42**

## Русский

ВАЖНЫЕ ИНСТРУКЦИИ ПО ТЕХНИКЕ БЕЗОПАСНОСТИ – СОХРАНИТЕ ЭТИ ИНСТРУКЦИИ – ПЕРЕД ЭКСПЛУАТАЦИЕЙ ИЗДЕЛИЯ ПОЛНОСТЬЮ ПРОЧИТИТЕ ДАННОЕ РУКОВОДСТВО

Для получения наилучшего результата ориентируйтесь как на текст, так и на иллюстрации, приведенные в данном руководстве. Отрежьте по пунктирной линии, чтобы совместить нужный язык с иллюстрациями.

Русский текст: стр. **44**

## polski

WAŻNE INSTRUKCJE DOTYCZĄCE BEZPIECZEŃSTWA — NIE WYRZUCAĆ – PRZED UŻYTKIEM NALEŻY ZAPOZNAĆ SIĘ Z TREŚCIĄ CAŁEJ INSTRUKCJI

W celu uzyskania najlepszych rezultatów, korzystając z tej instrukcji, należy zwrócić uwagę zarówno na tekst, jak i na ilustracje. Przeciąć wzdłuż przerywanych linii w celu dopasowania języka do ilustracji.

Tekst w języku polskim na stronach **46**

## Česky

WAŻNE INSTRUKCJE DOTYCZĄCE BEZPIECZEŃSTWA — NIE WYRZUCAĆ. PŘED POUŽITÍM TOHOTO VÝROBKU SI PROSÍM PŘEČTĚTE CELOU PŘÍRUČKU – PŘED POUŽITÍM TOHOTO VÝROBKU SI PROSÍM PŘEČTĚTE CELOU PŘÍRUČKU

Nejlepších výsledků dosáhnete, budete-li při používání této příručky srovnávat text s ilustracemi. Odstříhnete podél čárkované čáry, aby bylo možno české instrukce přiřadit k ilustracím.

Český text se nachází na straně **48**

## Türkçe

ÖNEMLİ GÜVENLİK TALİMATLARI - BU TALİMATLARI SAKLAYIN – LÜTFEN BU ÜRÜNÜ KULLANMADAN ÖNCE KILAVUZUN TAMAMINI OKUYUN

En iyi sonucu almak için bu kılavuzdan yararlanırken hem metne hem de resimlere bakın. Türkçe metinle resimleri eşleştirmek için kesik çizgilerden kesin.

Türkçe Metin Sayfaları **50**

## 日本語

重要 – 上記の安全指示書を保管しておいてください本製品を使用する前に、説明書の内容をよくお読みください。

組み立てをうまく行うためには、本説明書を使用する際に、説明文とイラストの両方を参照してください。点線に沿って切り取ると、ご使用の言語とイラストが一致します。

日本語は **52** ページ

## 中文

重要安全说明 – 保存这些说明 – 请先完整阅读手册

使用本说明书时，请同时参考文本与插图，以达到最佳理解效果。沿着虚线裁剪将您的语言与插图匹配起来。

中文文本页 **54**

**⚠ CAUTION:**

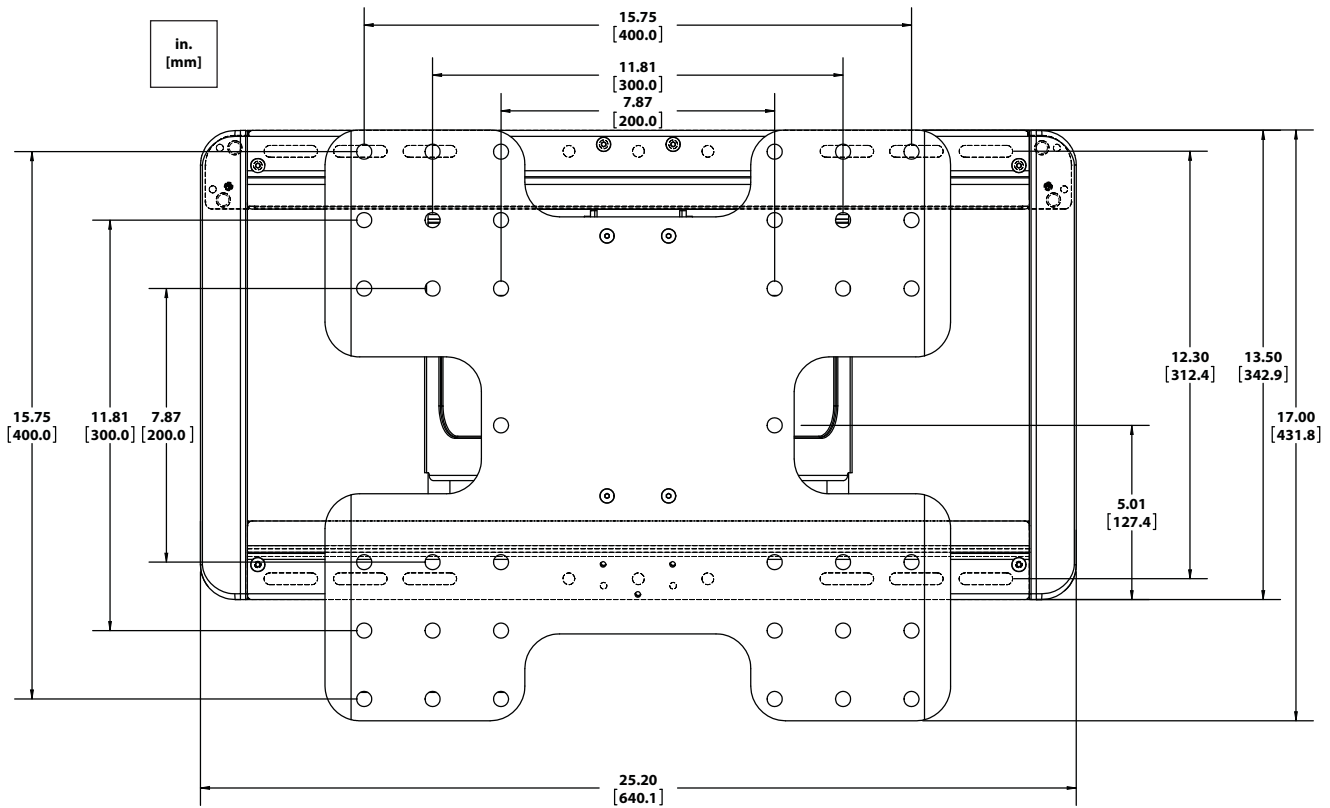
IMPORTANT SAFETY INSTRUCTIONS – SAVE THESE INSTRUCTIONS – PLEASE READ ENTIRE MANUAL BEFORE USING THIS PRODUCT

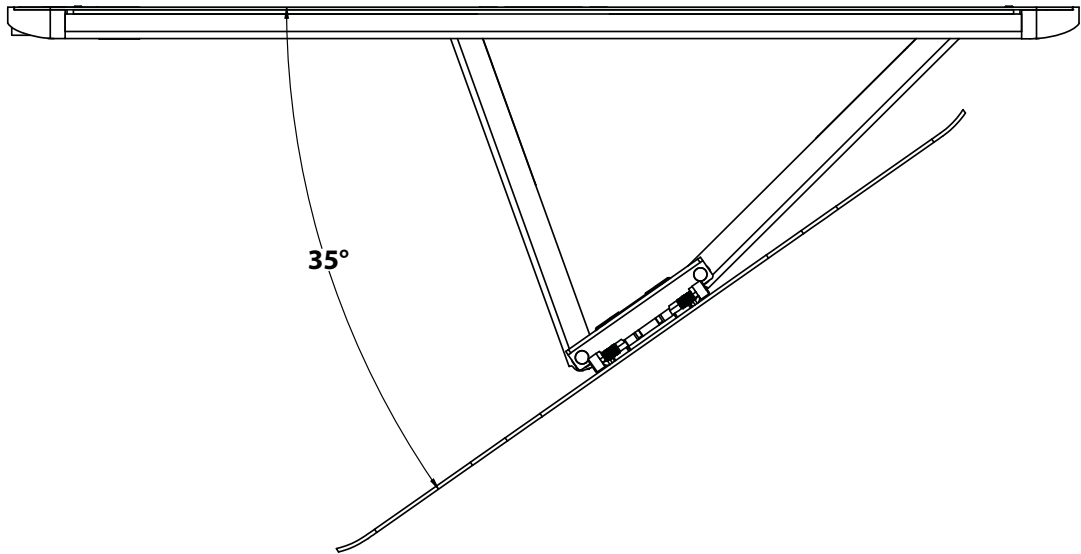
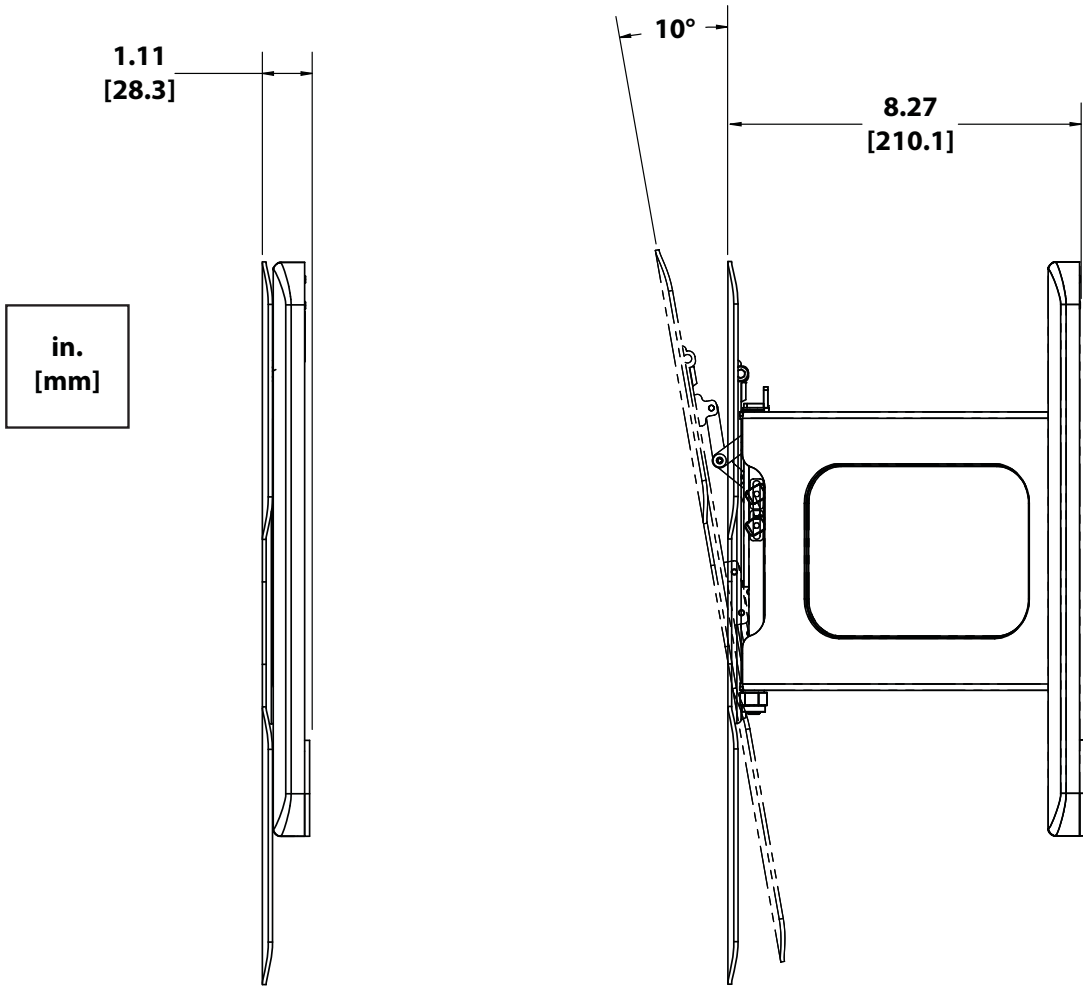
Specifications

- ✦ Weight capacity: 27.22 kg (60 lbs) includes TV and any accessories
- ✦ Swivel:  $\pm 35^\circ$
- ✦ Tilt:  $-10^\circ$

**⚠ CAUTION:** Avoid potential personal injuries and property damage!

- ✦ Do not use this product for any purpose not explicitly specified by manufacturer.
- ✦ The wall must be capable of supporting five times the weight of the monitor and mount combined.
- ✦ This product is not designed for use in metal stud walls!
- ✦ If you do not understand these instructions, or have doubts about the safety of the installation, assembly or use of this product, contact manufacturer Customer Service or call a qualified contractor.
- ✦ Manufacturer is not responsible for damage or injury caused by incorrect assembly or use.





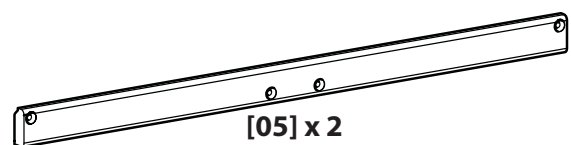
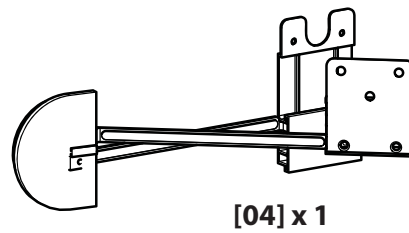
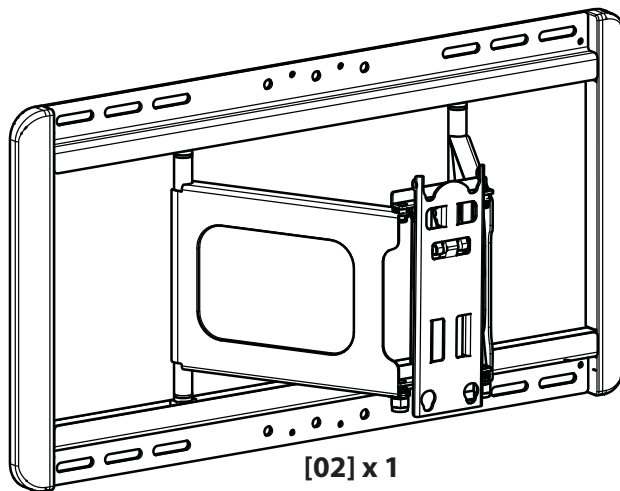
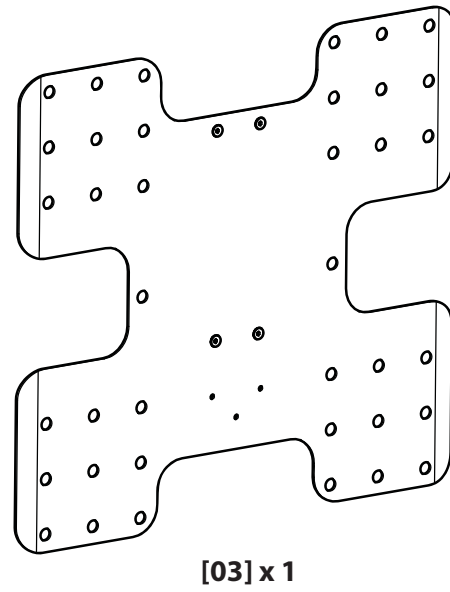
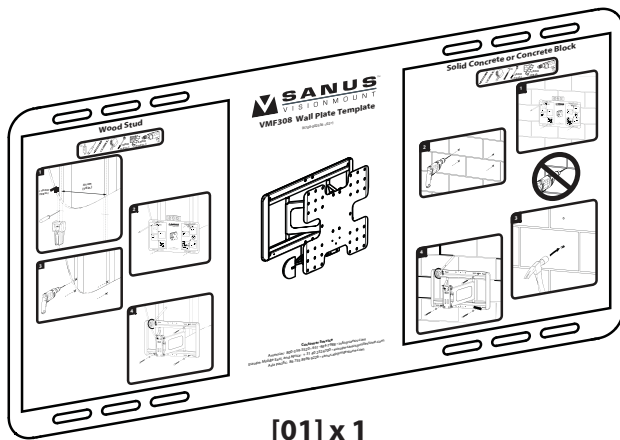
# ⚠ CAUTION:



## Supplied Parts and Hardware.

Before starting assembly, verify all parts are included and undamaged. If any parts are missing or damaged, do not return the damaged item to your dealer; contact Customer Service. Never use damaged parts!

**NOTE:** Not all hardware included will be used.







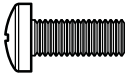
M4 x 12mm  
[06] x 4



M4 x 30mm  
[07] x 4



M4 x 40mm  
[08] x 4



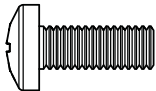
M5 x 12mm  
[09] x 4



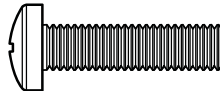
M5 x 30mm  
[10] x 4



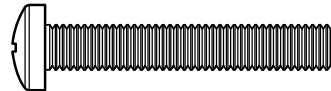
M5 x 40mm  
[11] x 4



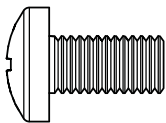
M6 x 14mm  
[12] x 4



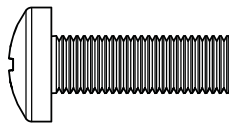
M6 x 25mm  
[13] x 4



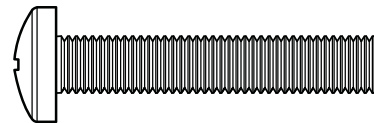
M6 x 40mm  
[14] x 4



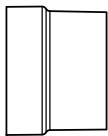
M8 x 16mm  
[15] x 4



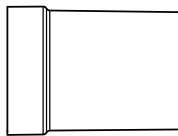
M8 x 25mm  
[16] x 4



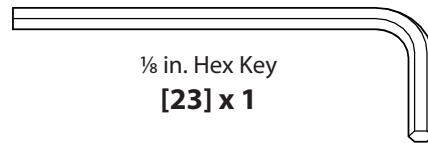
M8 x 45mm  
[17] x 4



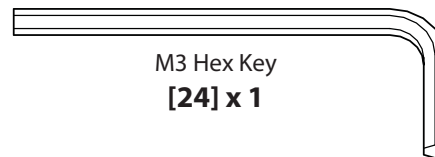
14mm  
[18] x 4



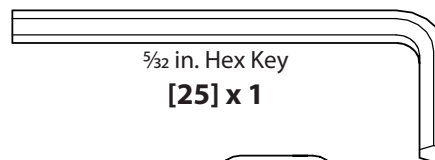
24mm  
[19] x 4



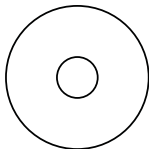
1/8 in. Hex Key  
[23] x 1



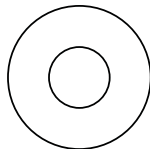
M3 Hex Key  
[24] x 1



5/32 in. Hex Key  
[25] x 1



M4/M5  
[20] x 4



M6/M8  
[21] x 4



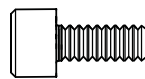
[22] x 4



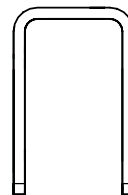
[26] x 3



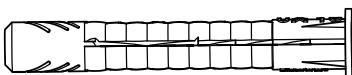
[27] x 8



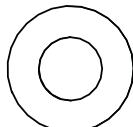
[28] x 2



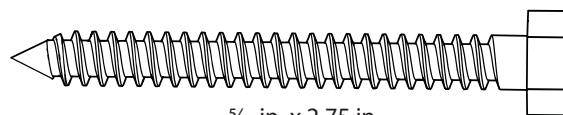
[29] x 1



[30] x 4



[31] x 4



5/16 in. x 2.75 in.  
[32] x 4

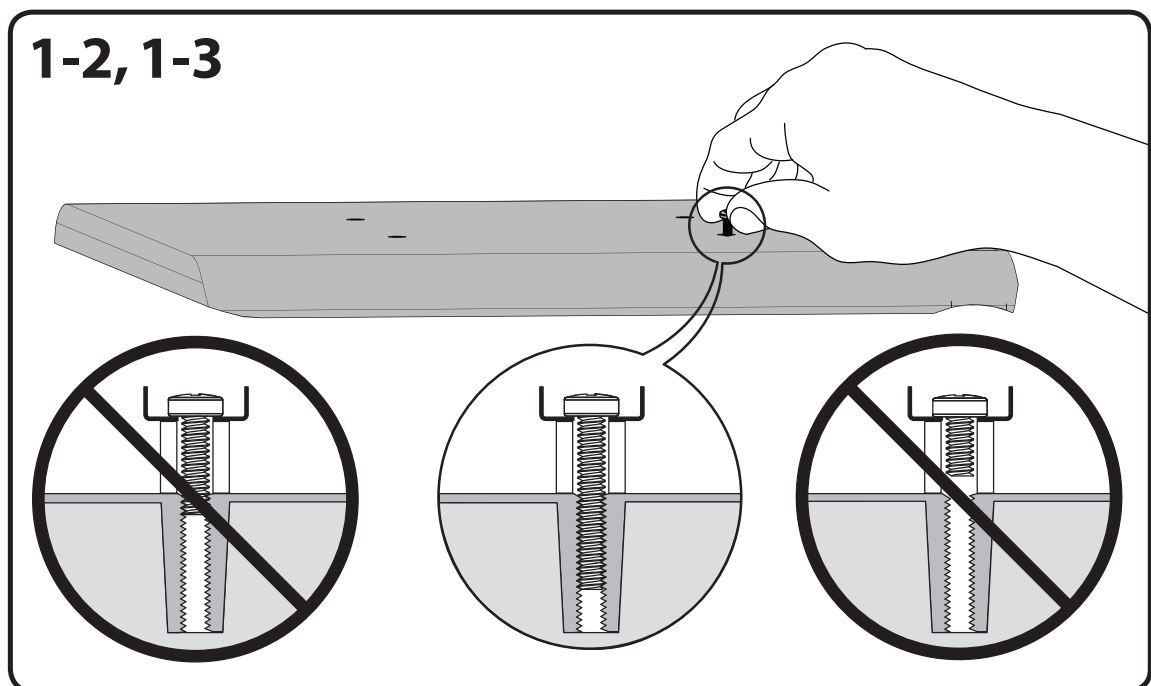
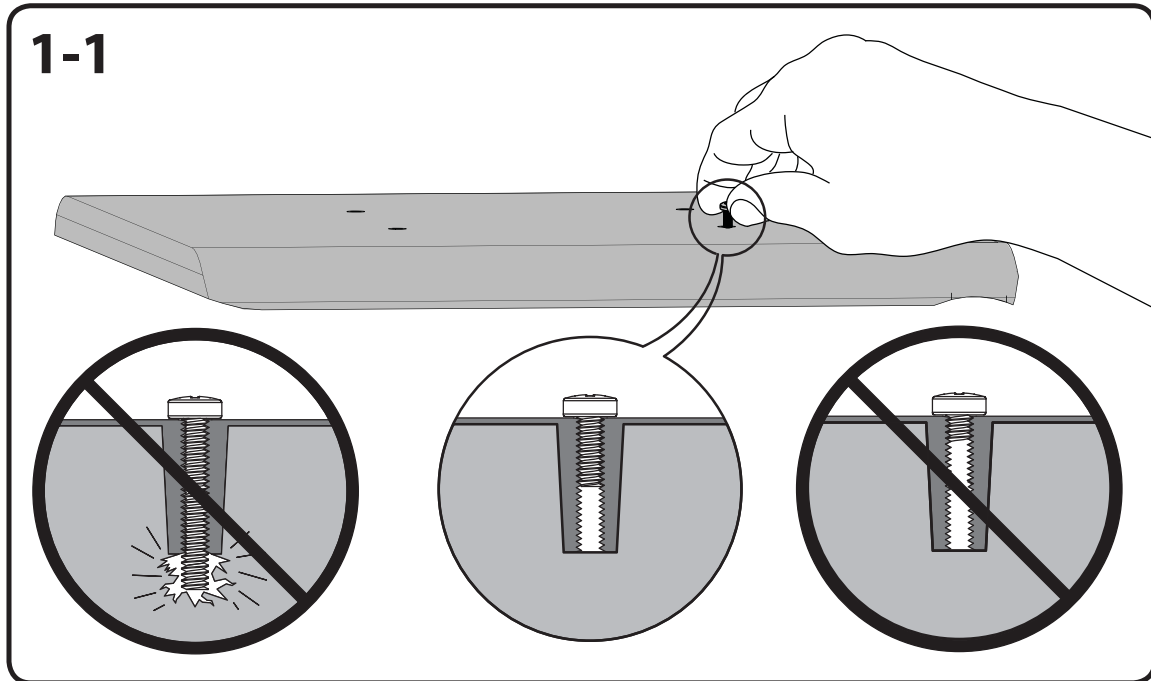
# 1

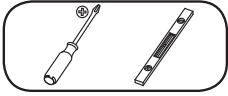
## ⚠ CAUTION:

### Install TV Brackets

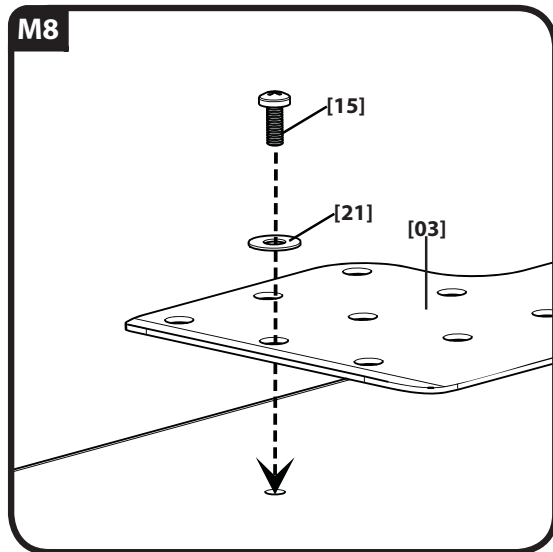
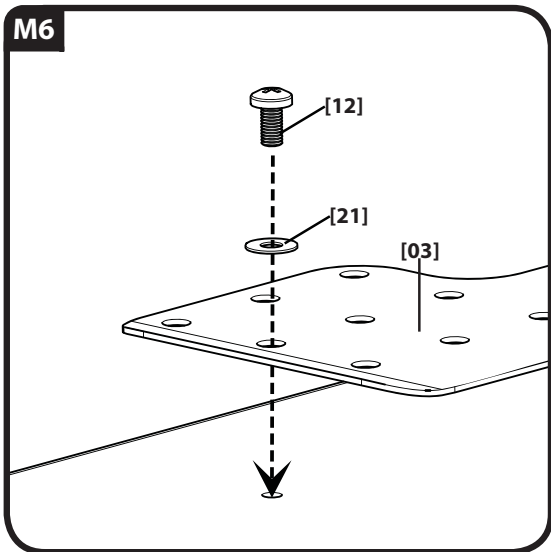
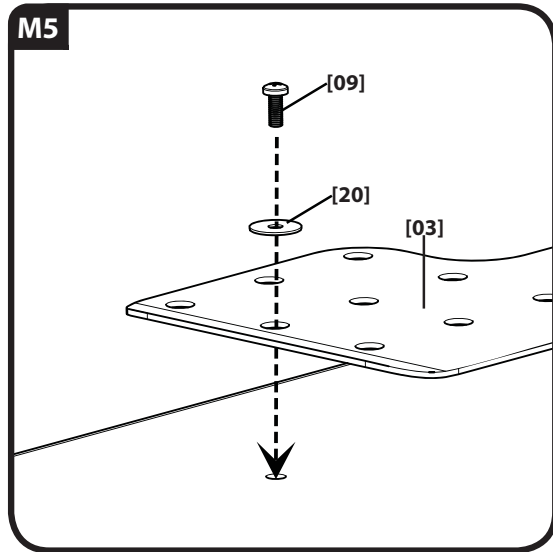
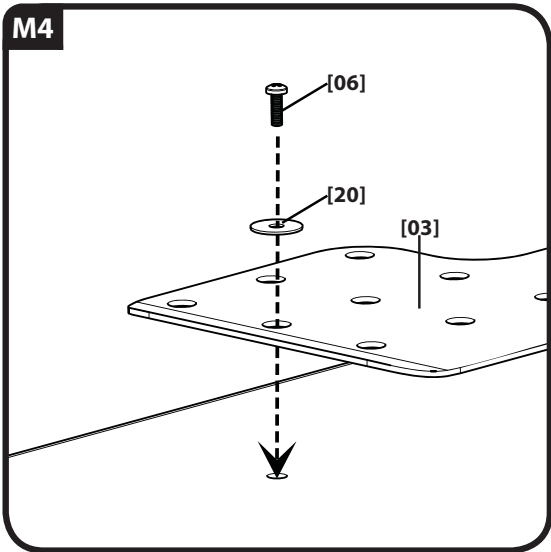
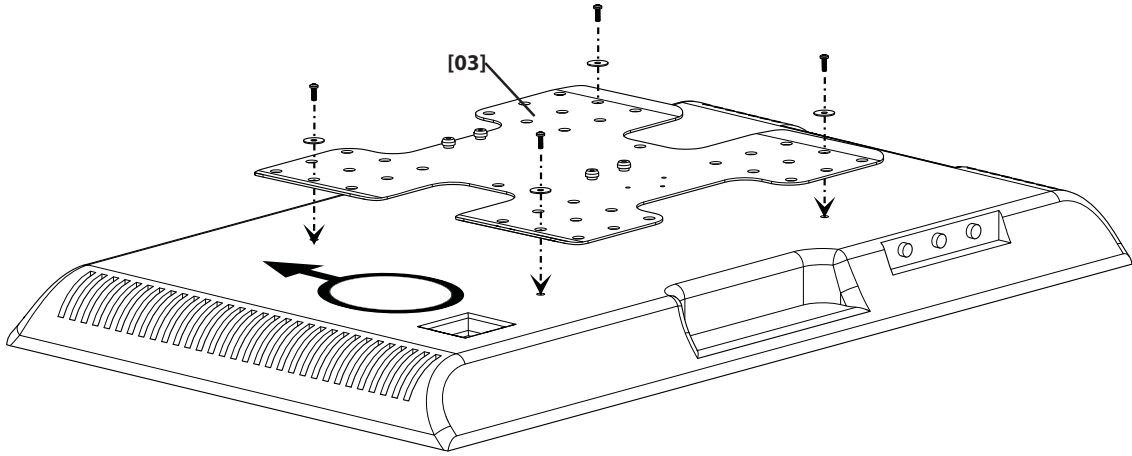
Before you begin, hand thread screws into the threaded inserts on the back of your TV to determine the correct screw diameter (M4, M5, M6, or M8). Verify that there are adequate threads to secure the brackets to the monitor. If you encounter resistance, stop immediately and contact customer service.

**⚠ CAUTION:** Avoid potential personal injuries and property damage! Use the shortest screw and spacer combination to accommodate your needs. Using hardware that is too long may damage your monitor's internal components.

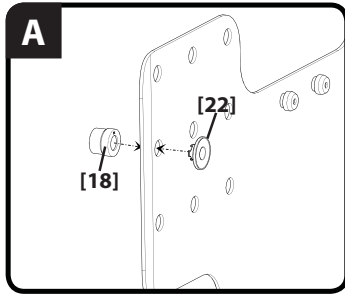
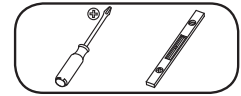




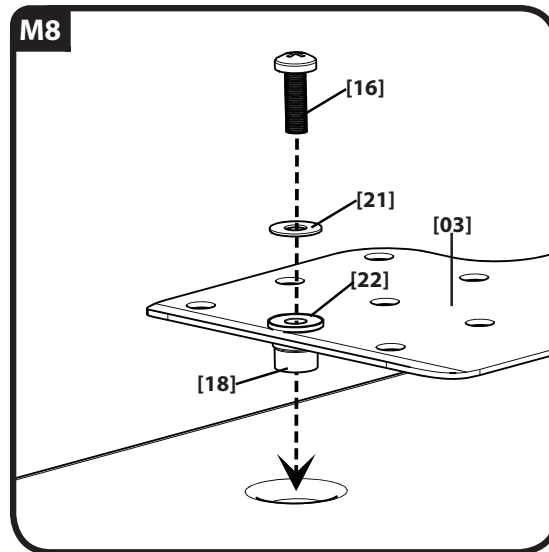
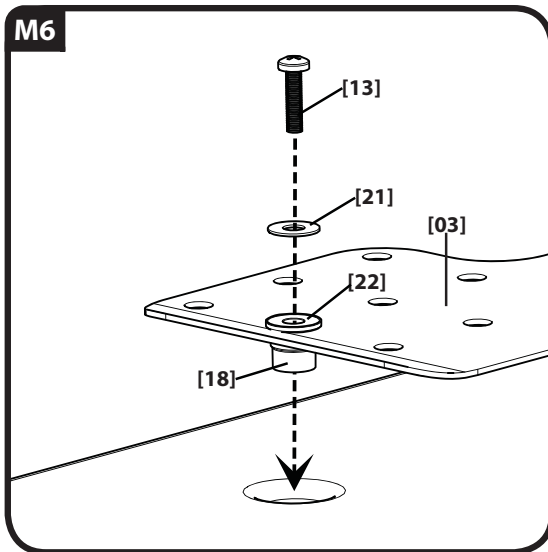
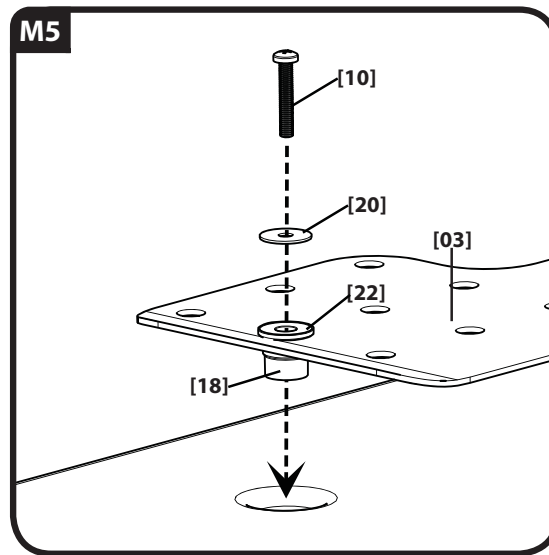
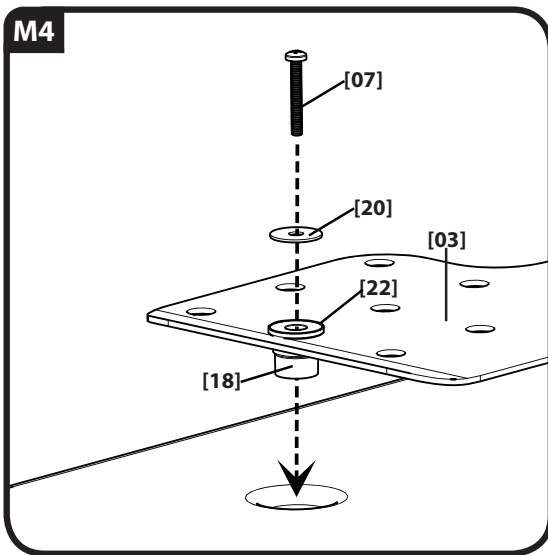
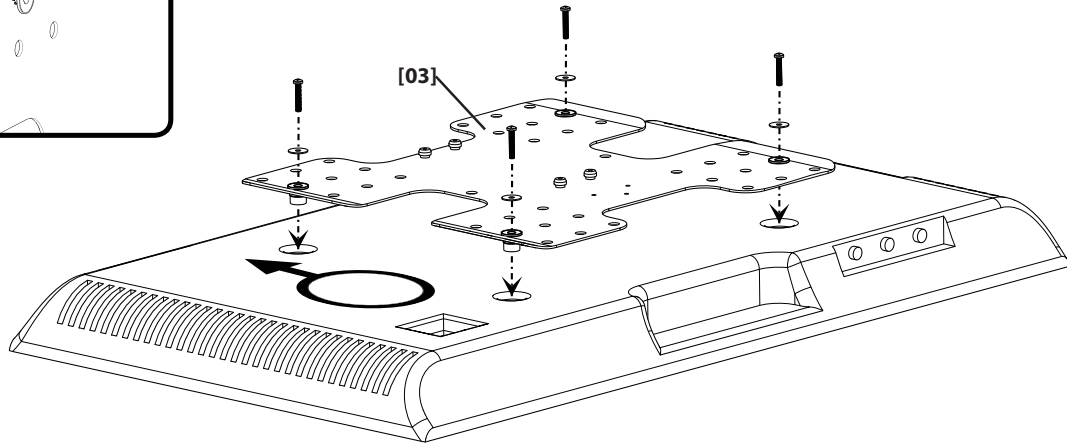
For TVs with a flat back. Ensure that the bracket is level on the back of the TV. Standard configurations are shown. If you need extra space to accommodate cables, recesses, or protrusions, see an installation option (1-2 or 1-3) that uses spacers. For special applications, or if you are uncertain about your hardware selection, contact Customer Service.

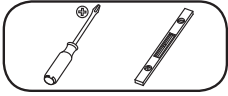


# 1-2

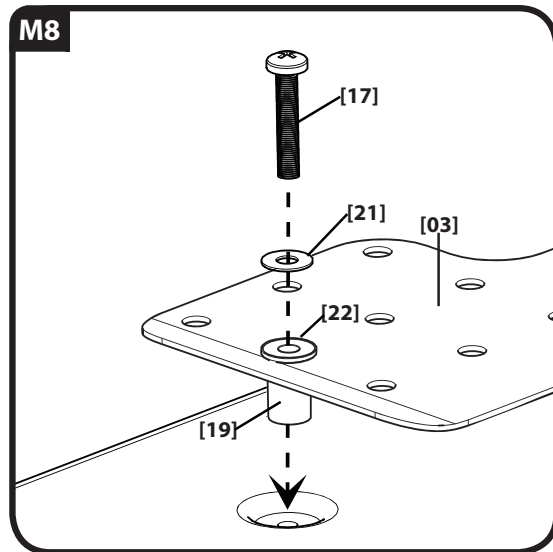
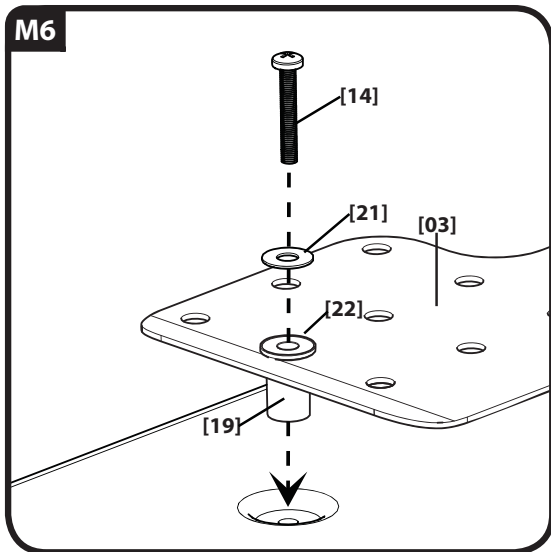
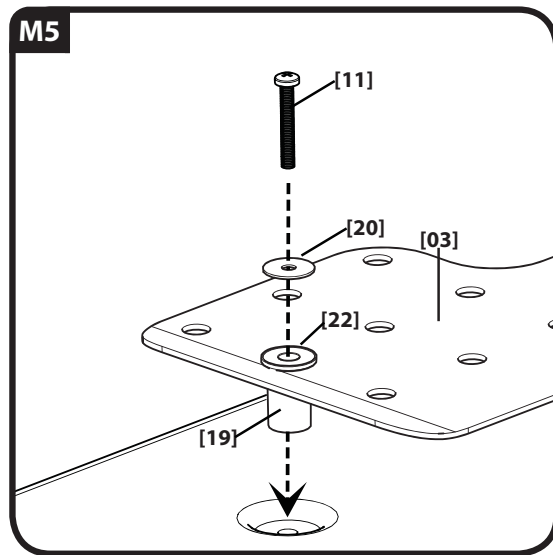
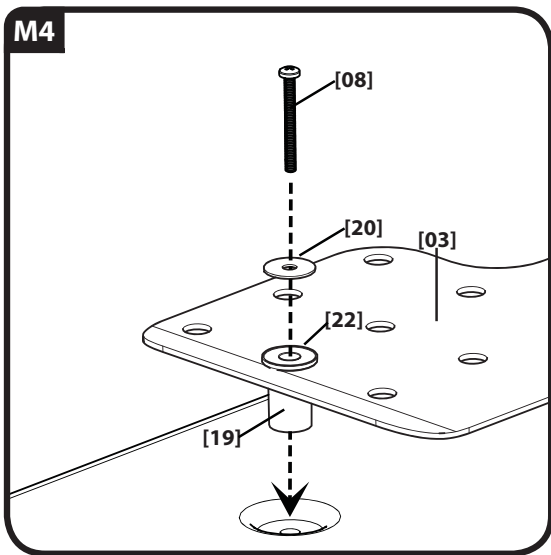
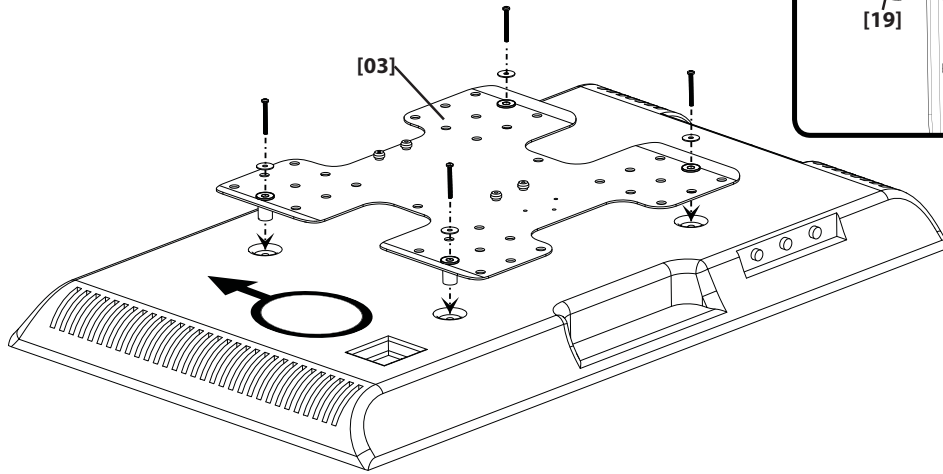
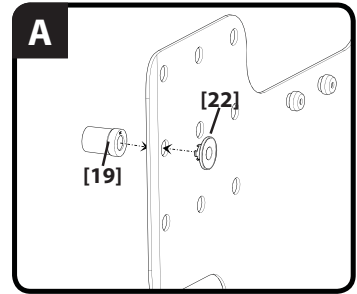


For TVs with an irregular/obstructed back. Ensure that the bracket is level on the back of the TV. Standard configurations are shown. For special applications, or if you are uncertain about your hardware selection, contact Customer Service.





For TVs with an irregular/obstructed back. Ensure that the bracket is level on the back of the TV. Standard configurations are shown. For special applications, or if you are uncertain about your hardware selection, contact Customer Service.

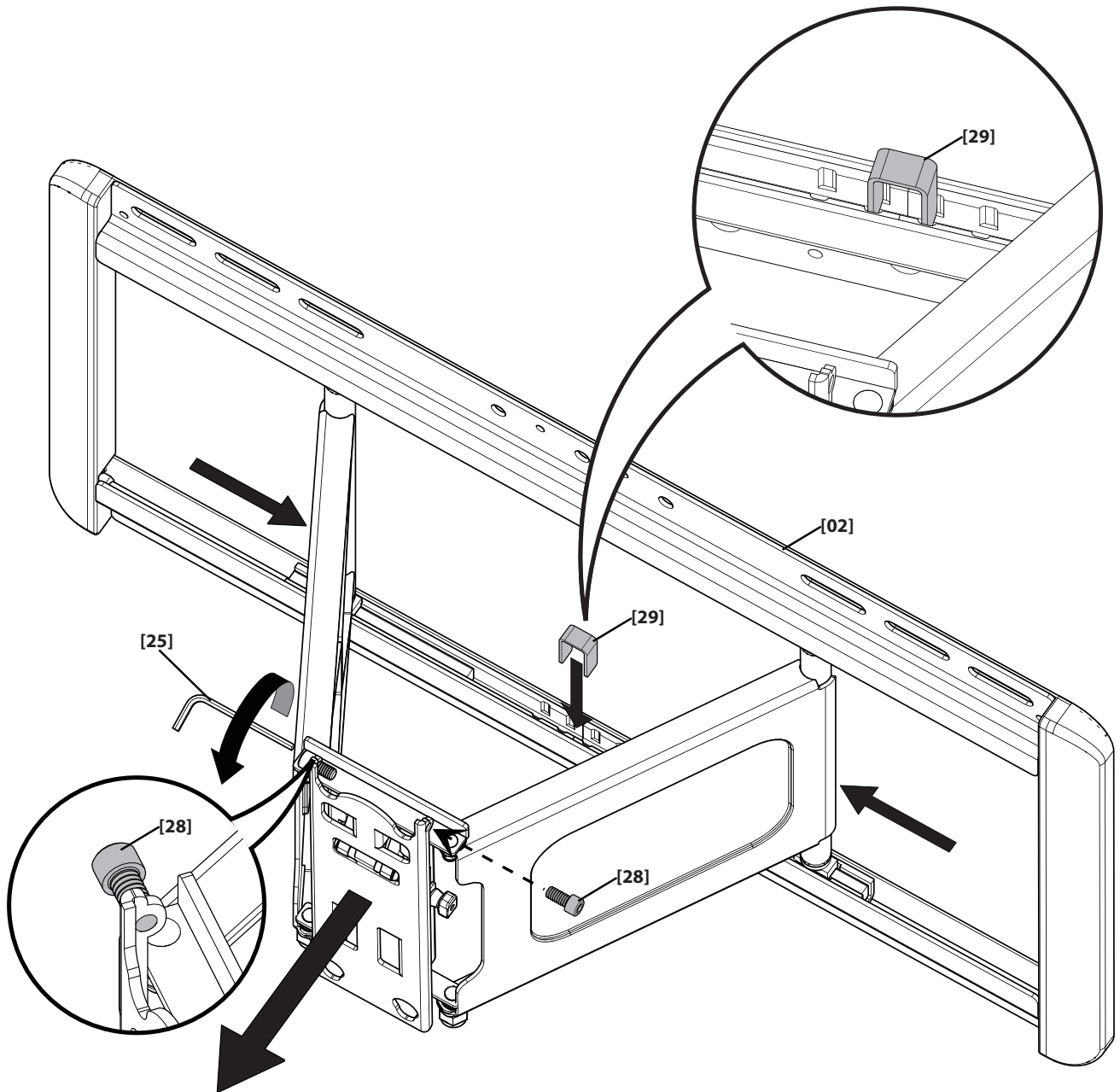


# 2

## To prepare the wall plate for mounting:

Slide the arms of the wall plate [02] together and insert the slide lock [29] into place. This will lock the arms into full extension making the wall plate mounting and TV attachment easier.

Install the locking screws [28] into the sides of the face plate using the  $\frac{3}{16}$  in hex key [25]. Screw in only until the end of the screw is flush with the inside of the plate. This will allow the TV to be mounted without interference.





## ⚠ CAUTION:

### Wall Mounting

#### 3-1: Wood Stud Mounting

⚠ **CAUTION:** Improper use could reduce the holding power of the lag bolt. To avoid potential injuries or property damage:

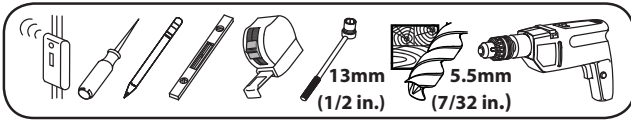
- ✘ Pilot holes **MUST** be drilled to a depth of 75 mm (3 in.), using a 5.5 mm (7/32 in.) diameter drill bit.
- ✘ **DO NOT** over-tighten the lag bolts [32].
- ✘ Any material covering the wall must not exceed 16 mm (5/8 in.).
- ✘ Minimum wood stud size: common 2 x 4 in. (nominal 1.5 x 3.5 in.)

#### 3-2: Solid Concrete and Concrete Block Mounting

⚠ **CAUTION:** Improper use could reduce the holding power of the lag bolt. To avoid potential injuries or property damage:

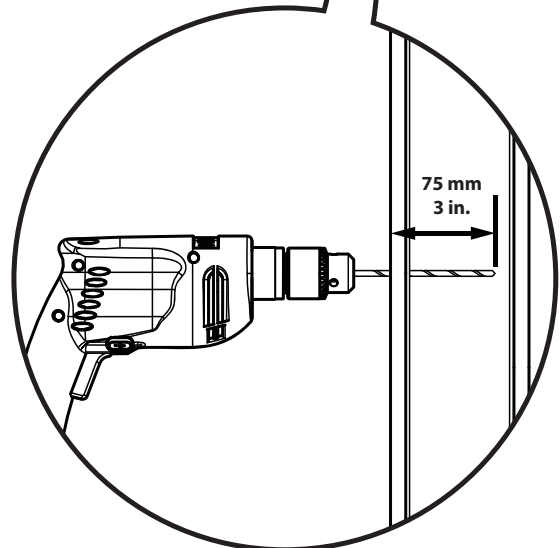
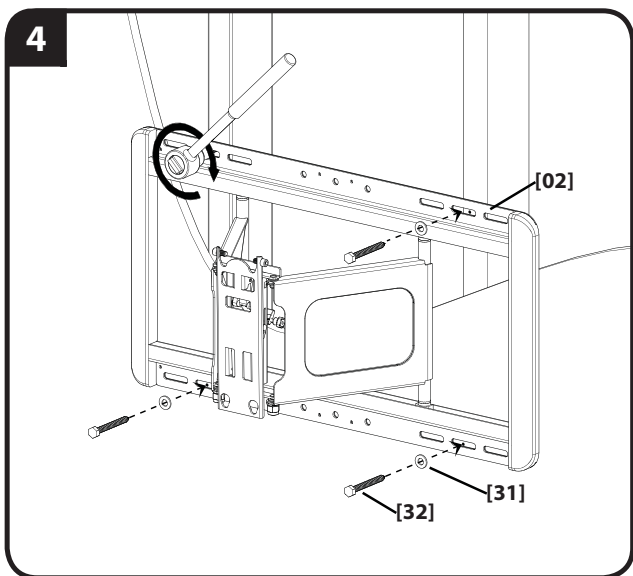
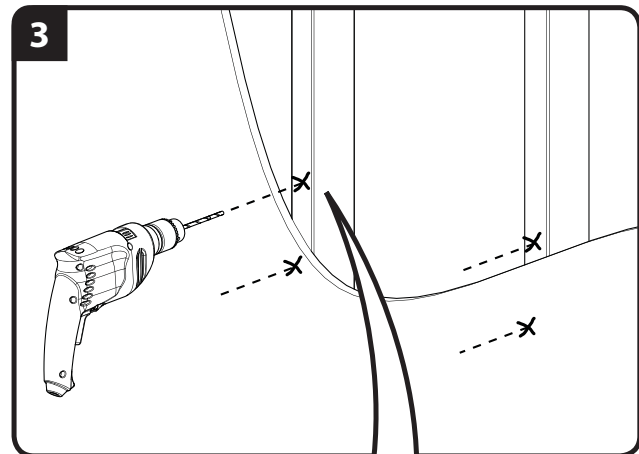
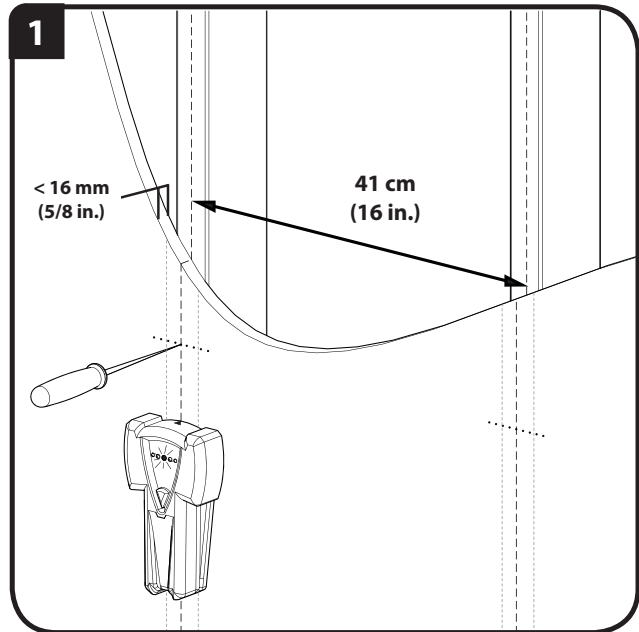
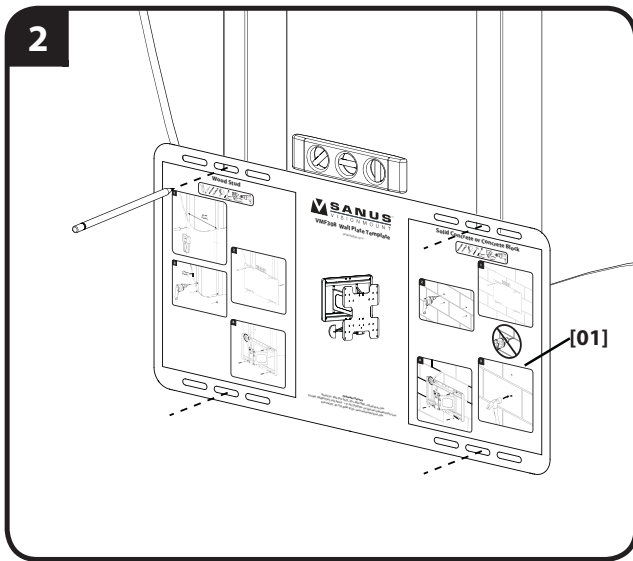
- ✘ Pilot holes **MUST** be drilled to a depth of 75 mm (3 in.), using a 10 mm (3/8 in.) diameter drill bit.
- ✘ Be sure the anchors [30] seat flush with the concrete surface.
- ✘ Mount wall plate directly onto the concrete surface.
- ✘ Never drill into the mortar between blocks.
- ✘ **DO NOT** over-tighten the lag bolts [32].
- ✘ Minimum solid concrete thickness: 8 in.
- ✘ Minimum concrete block size: 8 x 8 x 16 in.



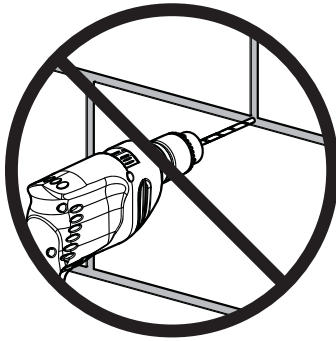
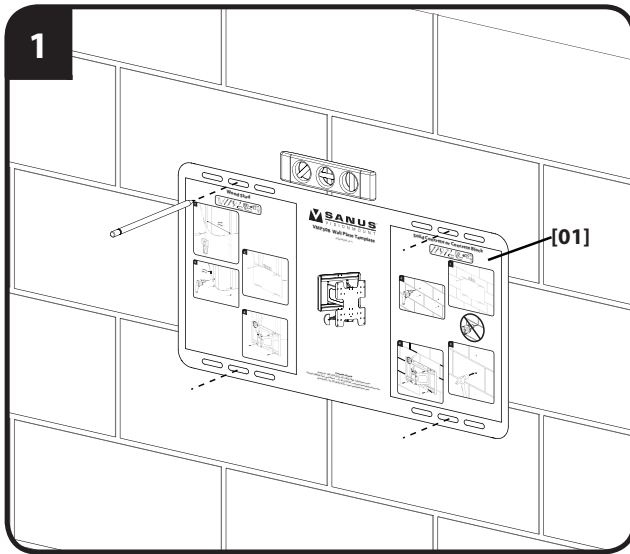
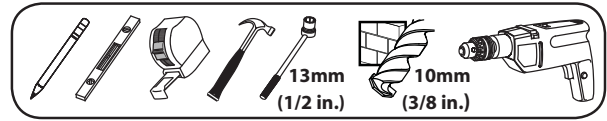


### Wood Stud Wall Mounting – See Cautions in Step 3.

1. Locate studs. Verify the center of the stud with an awl or thin nail or use an edge to edge stud finder.
2. Using the wall plate template [01], level the template [01] and mark the hole locations.
3. Drill pilot holes as illustrated.
4. Place the wall plate against the wall. Tighten the lag bolts [32] only until the washers [31] are pulled firmly against the wall plate [02].

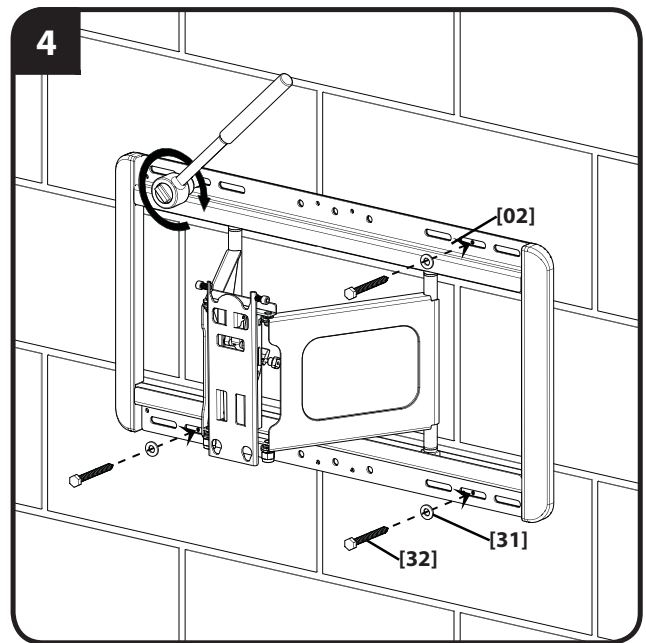
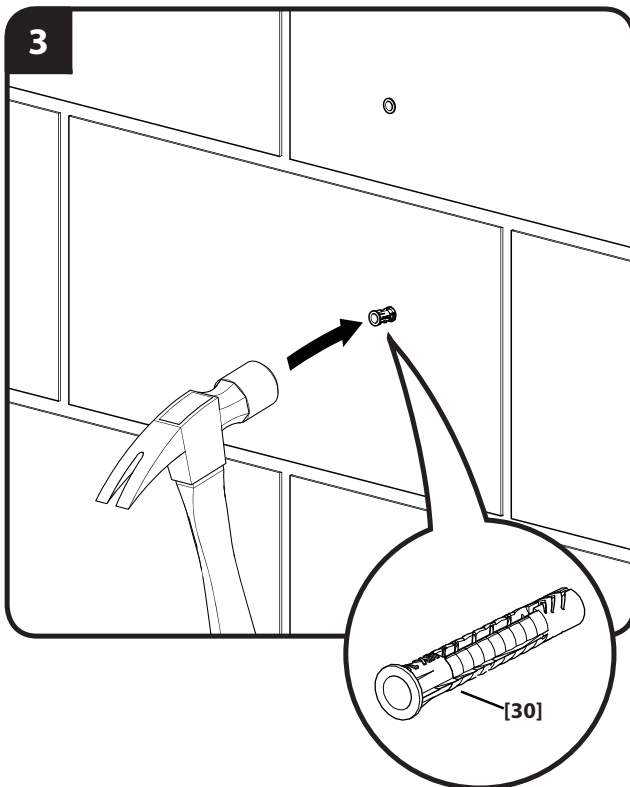
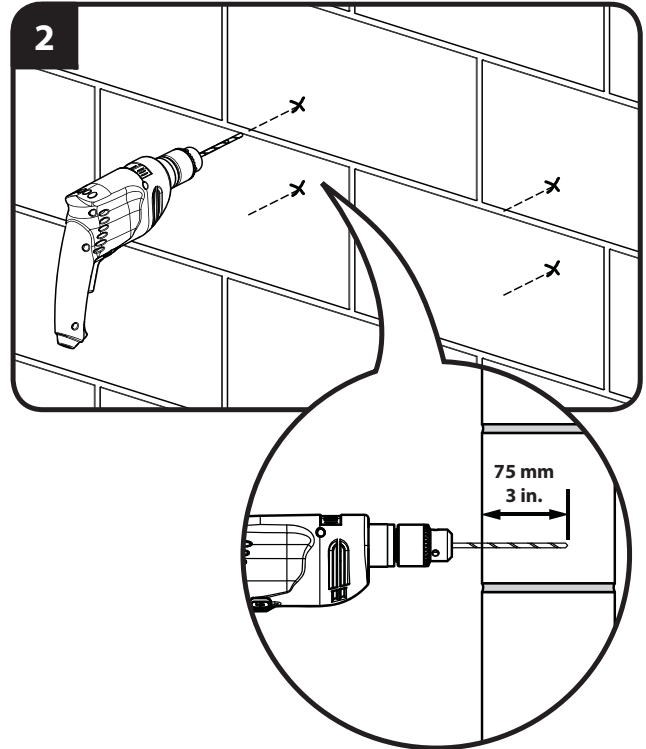


# 3-2



## Solid Concrete and Concrete Block Mounting – See Cautions in Step 3.

1. Using the wall plate template [01], level the template [01] and mark the hole locations.
2. Drill pilot holes as illustrated.
3. Insert lag bolt anchors [30].
4. Place the wall plate against the wall. Tighten the lag bolts [32] only until the washers [31] are pulled firmly against the wall plate [02].

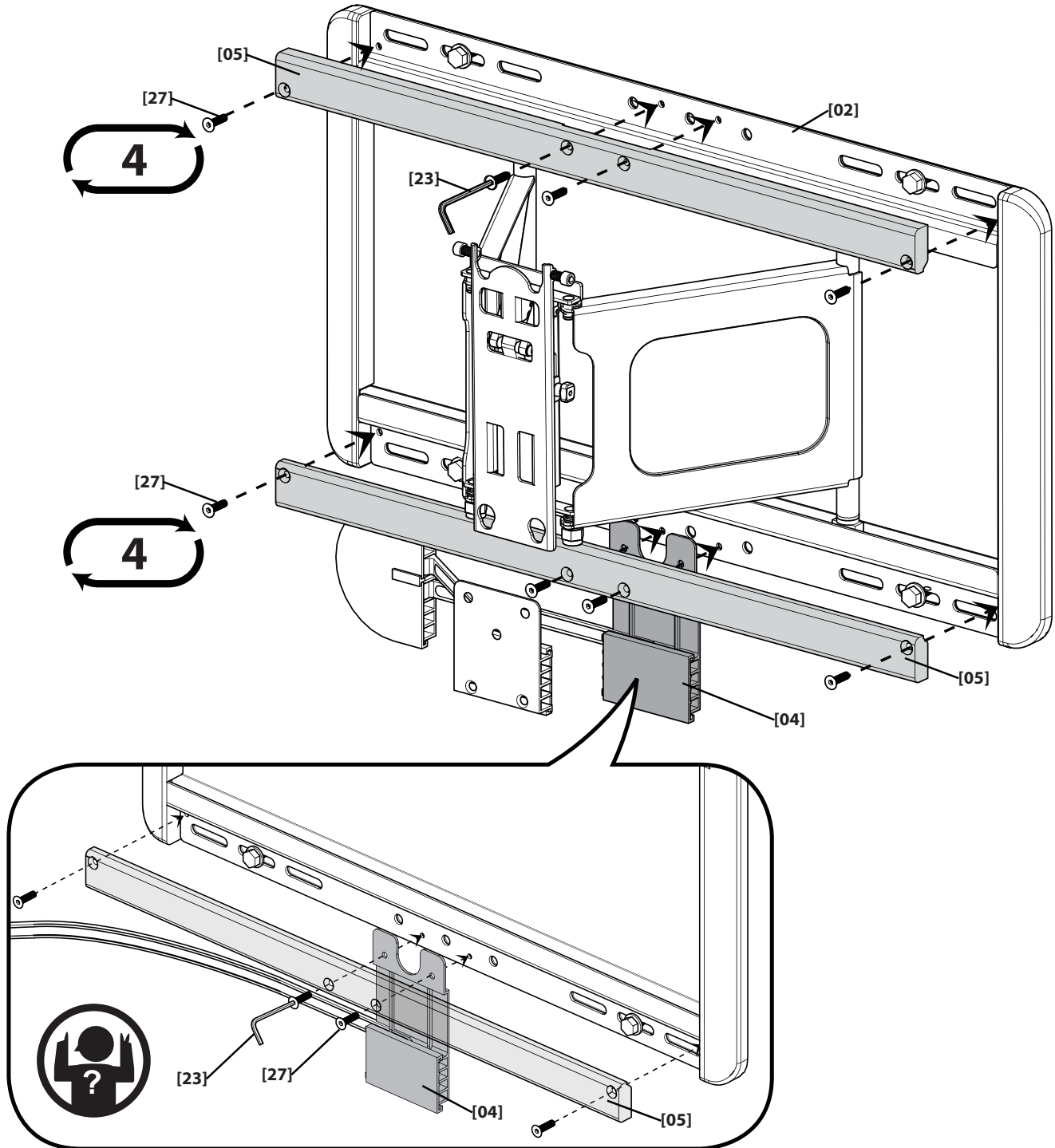




**Install wall plate covers and the wire management assembly (optional) onto the wall plate.**

1. Mount the upper cover [05] using the 1/8 in. hex key [23] to install four screws [27].
2. Mount the lower cover [05] using the 1/8 in. hex key [23] to install four screws [27] while (optional) fitting the rear mount of the wire management assembly [04] between the cover [05] and the lower horizontal of the wall plate [02].

**Note:** Do not install the rear mount of the wire management assembly [04] unless you intend to install the front mount of the wire management assembly [04] in **Step 6**.

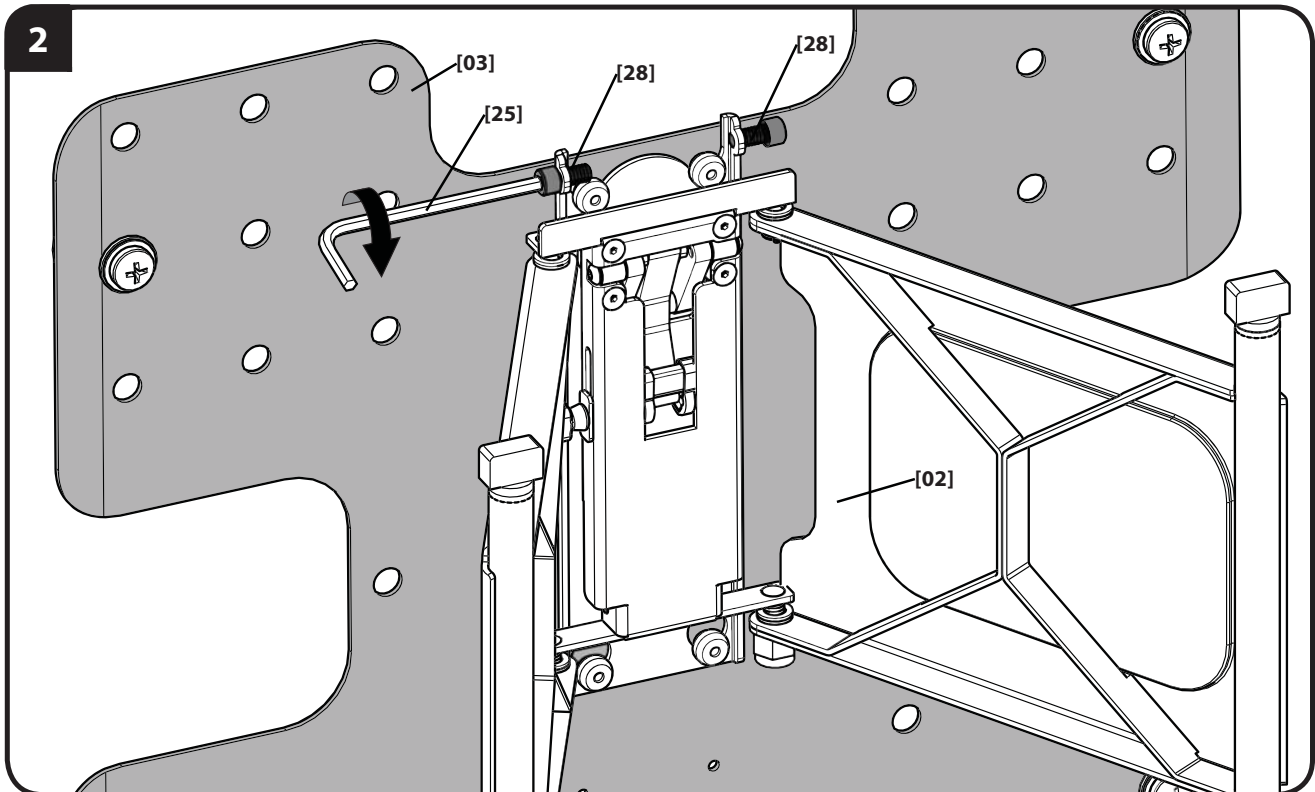
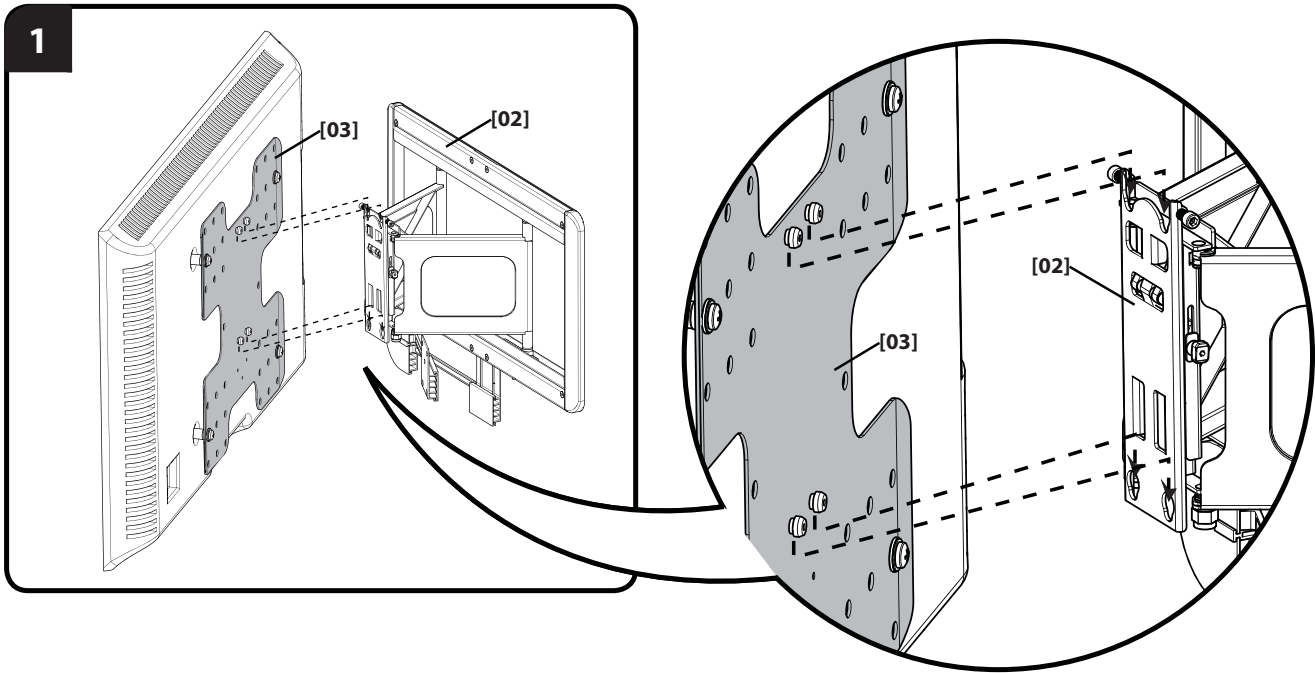




### Attach TV to Wall Plate

**HEAVY!** You will need assistance with this step.

1. Hang the TV with mounting bracket **[03]** onto the face plate of the wall plate **[02]**. The lower mounting knobs of the mounting bracket **[03]** will fit into the keyhole slots of the face plate of the wall plate **[02]** while the upper knobs will drop into the top slots of the face plate of the wall plate **[02]**.
2. Secure the TV to the face plate of the wall plate **[02]** by tightening the locking screws **[28]** with the  $\frac{3}{16}$  in. hex key **[25]** until they capture the upper knobs of the bracket **[03]**.

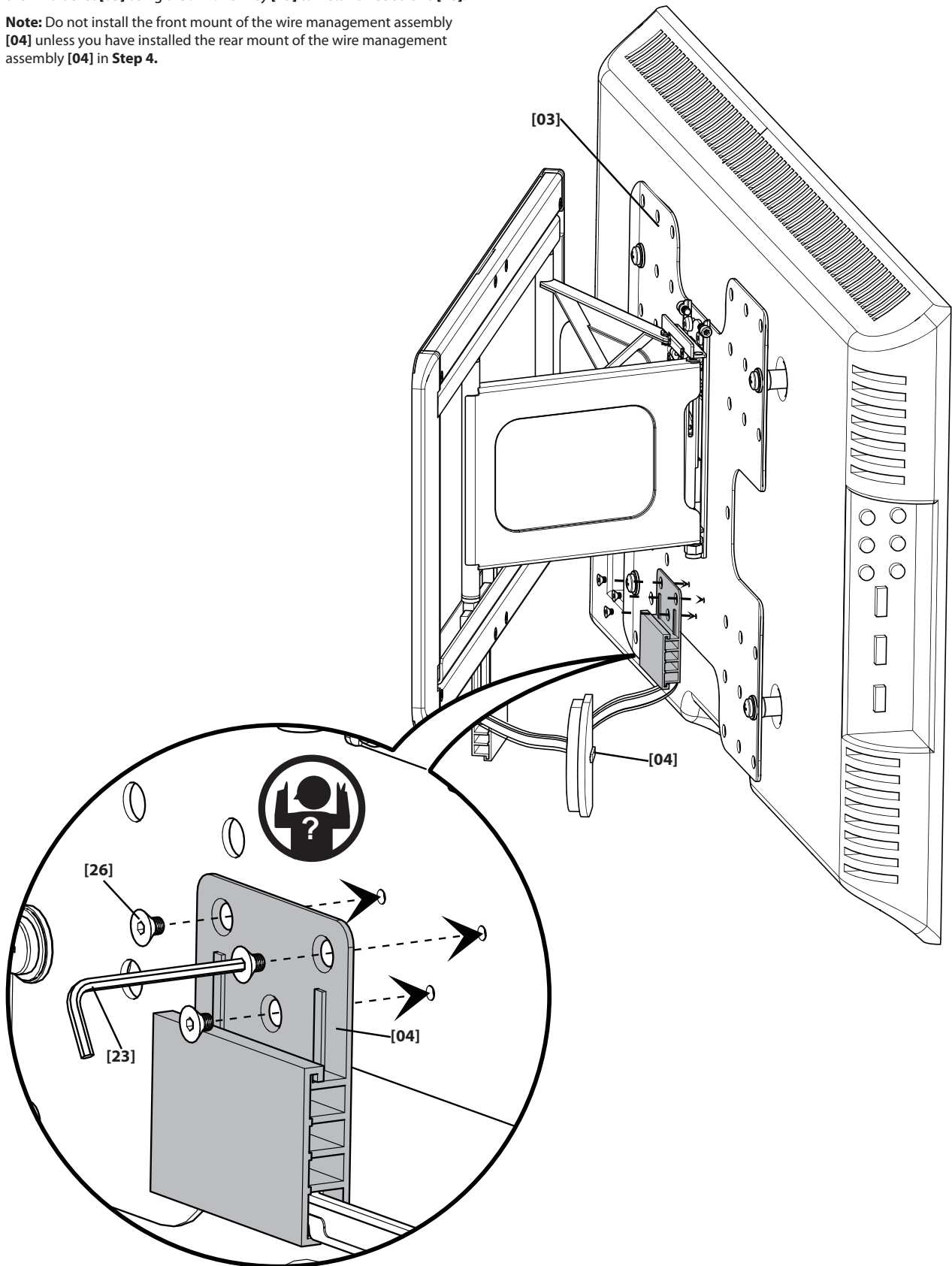


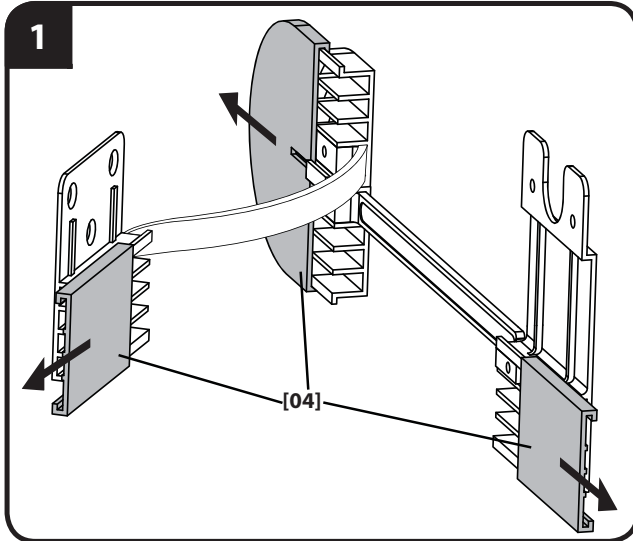


**Install the wire management assembly to the TV bracket (optional).**

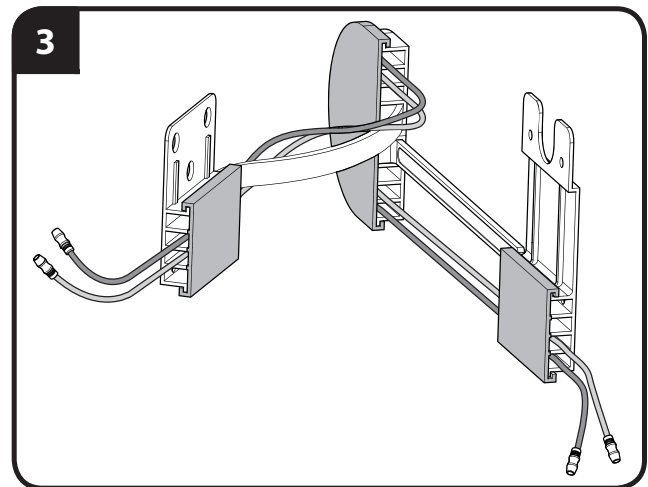
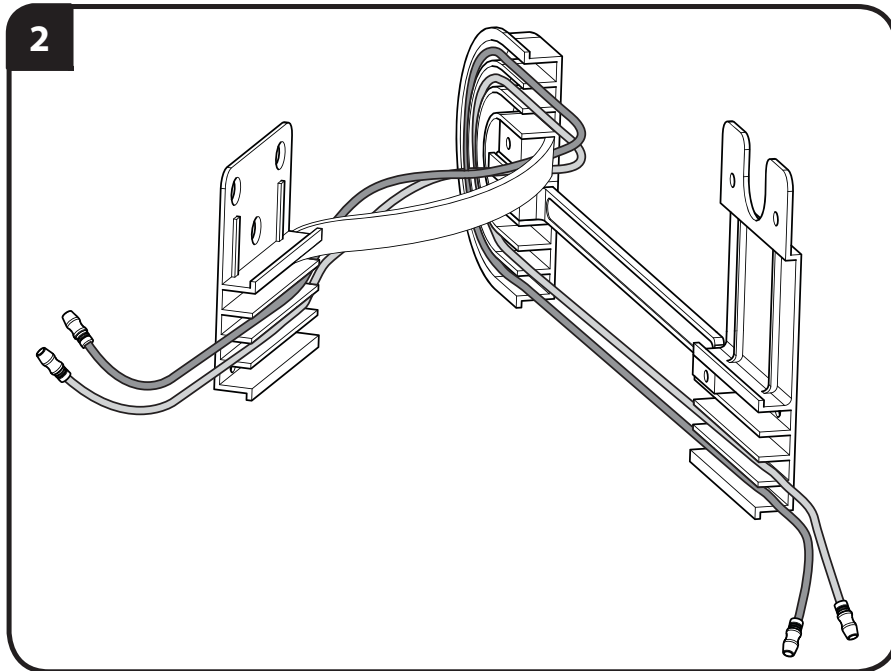
Fit the front mount of the wire management assembly [04] onto the back of the TV bracket [03] using the 1/8 in. hex key [23] to install three screws [26].

**Note:** Do not install the front mount of the wire management assembly [04] unless you have installed the rear mount of the wire management assembly [04] in **Step 4**.



**Wire Management (Optional - see Steps 4 and 6)**

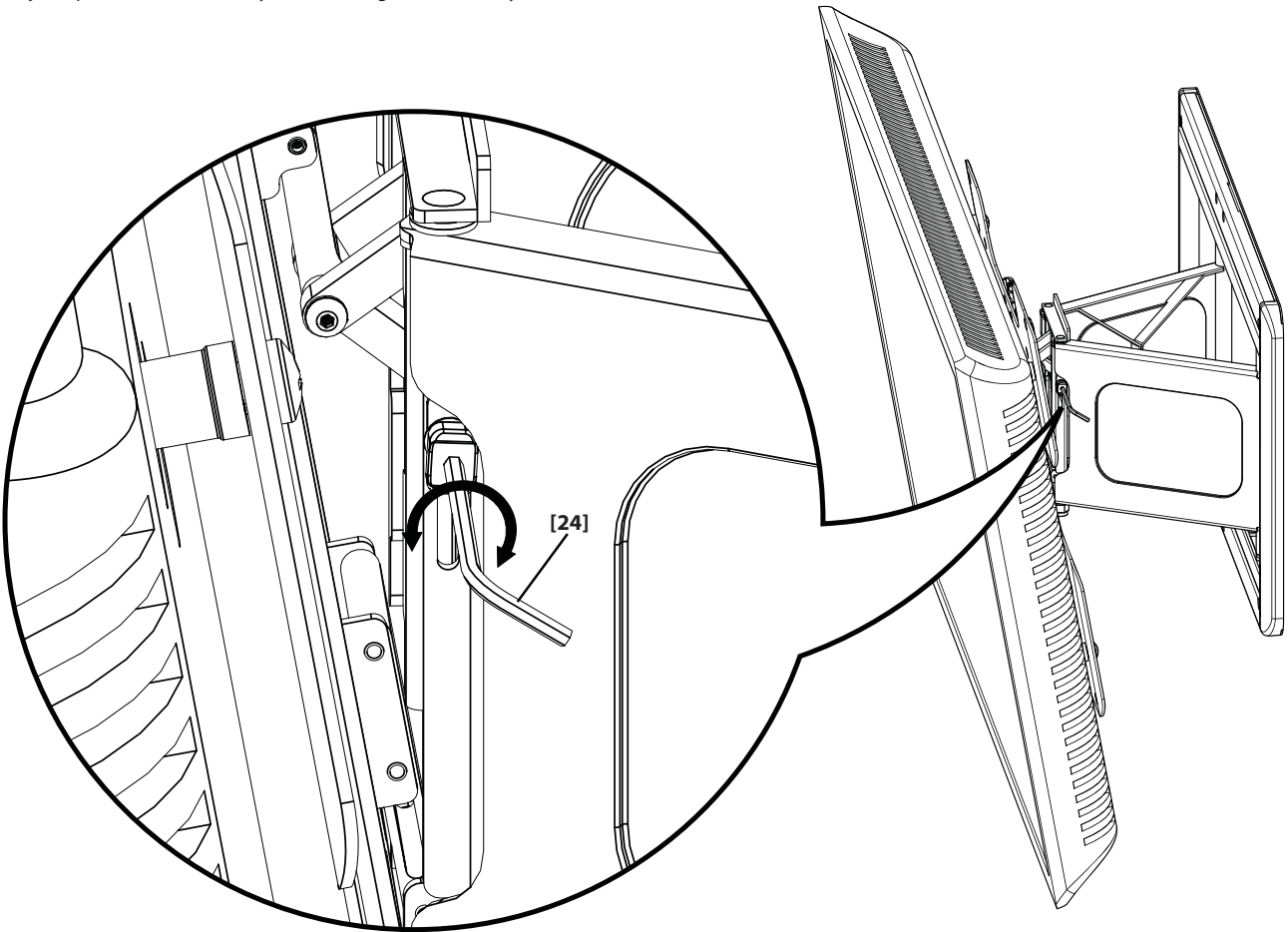
Plug the required wires and/or cables into the TV. Slide the three covers of the wire management assembly [04] off the front (TV bracket mount), rear (wall plate mount), and center (floating). Route the wires and/or cables through the three sections, then replace the covers.





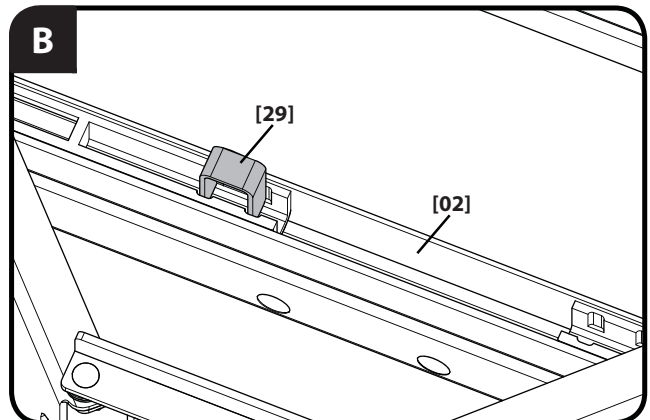
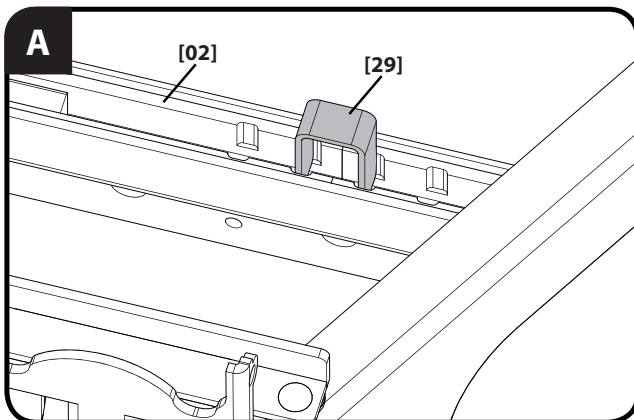
**Adjustments**

Adjust up / down tilt tension by hand or using the M3 hex key [24].



**Storage**

After setup is complete, remove slide lock [29] from the locking position **A** and fit it into the grooves of one of the slides for storage **B**.





## ⚠ ATTENTION:

INFORMATIONS IMPORTANTES CONCERNANT LA SÉCURITÉ – CONSERVEZ CES INSTRUCTIONS – VEUILLEZ LIRE ATTENTIVEMENT LE MANUEL AVANT D'UTILISER CE PRODUIT

Spécifications

- ✘ Capacité de charge : 27.22 kg (60 lbs)
- ✘ Pivotement : ±35°
- ✘ Inclinaison : -10°

**⚠ ATTENTION:** Évitez les dommages matériels et les blessures!

- ✘ Ne pas utiliser ce produit à d'autres fins que celles spécifiées par fabricant.
- ✘ Le mur doit pouvoir supporter cinq fois le poids total du moniteur et du support.
- ✘ Ce produit n'est pas conçu pour être utilisé sur des murs dont les montants sont en métal!
- ✘ Si vous ne comprenez pas toutes ces instructions ou si vous avez des doutes sur la sécurité de l'installation, du montage ou de l'utilisation de ce produit, veuillez contacter un installateur qualifié ou le service à la clientèle de fabricant.
- ✘ Fabricant n'est pas responsable des blessures ou des dommages causés par une mauvaise utilisation ou un montage incorrect.

**Pièces et matériel fournis. Voir l'illustration de la page 8.**

Avant de commencer l'assemblage, assurez-vous que toutes les pièces sont présentes et qu'elles ne sont pas endommagées. Si une pièce est manquante ou endommagée, contactez le service Clientèle de. Ne retournez pas les pièces endommagées à votre revendeur. N'utilisez jamais de pièces endommagées !

**REMARQUE:** Nem todas as ferramentas serão usadas.

## 1

Voir l'illustration de la page 10.

**Assemblage des montants de téléviseur pour les téléviseurs avec dos irréguliers ou obstrués**

Avant de commencer, serrez à la main les vis dans les orifices filetés au dos du téléviseur. Assurez-vous qu'il y a suffisamment de filets pour installer solidement les supports de sur le moniteur. Si vous sentez une résistance, arrêtez immédiatement et contactez le Service à la clientèle.

**⚠ ATTENTION :** Évitez les dommages matériels et les blessures! Utilisez la combinaison la plus courte possible de vis et d'entretoise nécessaire. L'utilisation de quincaillerie trop longue pourrait endommager les composantes internes de votre moniteur.

**1-1** Pour les téléviseurs dont l'arrière est irrégulier ou obstrué. Assurez-vous que les supports sont à l'horizontale (à niveau) derrière le téléviseur. Si vous avez besoin de plus d'espace à cause des câbles, de creux ou de protubérances, reportez-vous à l'option d'installation 1-2 ou 1-3.

**1-2** Pour les téléviseurs dont l'arrière est irrégulier ou obstrué. Assurez-vous que les supports sont à l'horizontale (à niveau) derrière le téléviseur. Les configurations standard sont illustrées. Consultez le Service à la clientèle pour toute application particulière ou si vous avez des doutes quant à la quincaillerie à utiliser.

**1-3** Pour les téléviseurs dont l'arrière est irrégulier ou obstrué. Assurez-vous que les supports sont à l'horizontale (à niveau) derrière le téléviseur. Les configurations standard sont illustrées. Consultez le Service à la clientèle pour toute application particulière ou si vous avez des doutes quant à la quincaillerie à utiliser.

## 2

Voir l'illustration de la page 14.

**Pour préparer la plaque murale pour la fixation :**

- A. Glissez les bras de la plaque murale [02] ensemble et insérez la pièce bloquante en U [29] à sa place. Les bras seront ainsi bloqués en position entièrement étendue facilitant la fixation de la plaque murale et du téléviseur.
- B. Installez les vis de blocage [28] dans les côtés de la plaque avant à l'aide de la clé hexagonale de 3/16 po [25]. Vissez seulement jusqu'à ce que l'extrémité de la vis affleure à l'intérieur de la plaque. De cette manière, il sera possible de fixer le téléviseur sans interférence.

## 3

Voir l'illustration de la page 16.

**Montage mural**

Pour obtenir de l'aide afin de déterminer l'emplacement de la plaque murale, consultez le site [sanus.com](http://sanus.com) sous la rubrique Height Finder

**3-1: Installation sur des murs avec montants de bois**

**⚠ ATTENTION :** Une utilisation inadéquate peut réduire la force de rétention du boulon tire-fond. Afin d'éviter tout dommage matériel ou blessure :

- ✘ Les avant-trous DOIVENT être percés à une profondeur de 75 mm (3 po) à l'aide d'un foret de 5,5 mm (7/32 po).
- ✘ Ne pas trop serrer les boulons tire-fond [32].
- ✘ L'épaisseur du matériau de revêtement de mur ne doit pas excéder 16 mm (5/8 in.).

**3-2: Montage sur béton coulé ou sur blocs de béton**

**⚠ ATTENTION :** Une utilisation inadéquate peut réduire la force de rétention du boulon tire-fond. Afin d'éviter tout dommage matériel ou blessure :

- ✘ Les avant-trous DOIVENT être percés à une profondeur de 75 mm (3 po) à l'aide d'un foret de 10 mm (3/8 po).
- ✘ Assurez-vous que les douilles à expansion [30] ne dépassent pas de la surface de béton.
- ✘ Montez la plaque murale directement sur la surface de béton.
- ✘ Ne jamais percer dans le mortier entre les blocs.
- ✘ Ne pas trop serrer les boulons tire-fond [32].



### 3-1

**Mur à ossature bois de montage - Voir les mises en garde à l'étape 3.**

1. Localiser crampons. Vérifiez le centre du goujon avec un clou de poinçon ou mince ou utiliser un bord à bord détecteur de montants.
2. Niveau de la plaque murale [02] et marquer l'emplacement des trous.
3. Percer des trous pilotes comme illustré.
4. Serrez les tire-fond [32] uniquement jusqu'à ce que les rondelles [31] soient appuyées contre la plaque murale [02].

### 3-2

**Pour montage sur béton coulé ou sur bloc en béton, voir 3.**

1. Niveau de la plaque murale [02] et marquer l'emplacement des trous.
2. Percez des avant-trous tel qu'illustré.
3. Insérez d'abord les douilles à expansion des boulons tire-fond [30]
4. Serrez les boulons tire-fond [32] jusqu'à ce que les rondelles [31] s'appuient fermement sur la plaque murale [02]

---

## 4

**Voir l'illustration de la page 19.**

**Installez le système de gestion des câbles (optionnel) et les caches de la plaque murale sur la plaque murale.**

1. Fixez le cache supérieur [05] à l'aide de la clé hexagonale de 1/8 po [23] et de quatre vis [27].
2. Fixez le cache inférieur [05] à l'aide de la clé hexagonale de 1/8 po [23] et quatre vis [27] tout en plaçant le support arrière du système de gestion des câbles [04] entre le cache [05] et la partie horizontale inférieure de la plaque murale [02].

---

## 5

**Voir l'illustration de la page 20.**

**Fixation du téléviseur à la plaque murale**

**TRÈS LOURD !** Cette étape requiert deux personnes.

1. Accrochez le téléviseur à l'aide de la plaque de fixation [03] sur la plaque avant de la plaque murale [02]. Les boutons de fixation inférieurs de la plaque de fixation [03] rentreront dans les trous en poire de la plaque avant de la plaque murale [02]. Les boutons supérieurs s'abaisseront dans les fentes supérieures de la plaque avant de la plaque murale [02].
2. Fixez le téléviseur sur la plaque avant de la plaque murale [02] en serrant les vis de blocage [28] à l'aide de la clé hexagonale de 3/16 po [25] jusqu'à ce qu'elles agrippent les boutons supérieurs de la plaque [03].

---

## 6

**Voir l'illustration de la page 21.**

**Installez le système de gestion des câbles (optionnel) sur le support du téléviseur.**

Montez le support avant du système de gestion des câbles [04] au dos de la plaque du téléviseur [03] à l'aide de la clé hexagonale de 1/8 po et trois vis [26].

---

## 7

**Voir l'illustration de la page 22.**

**Gestion des câbles (optionnel)**

Branchez les fils et/ou câbles nécessaires au téléviseur.

1. Glissez les trois caches du système de gestion des câbles [09] pour les enlever de l'avant (support de plaque avant), de l'arrière (support de plaque murale) et du centre (flottant).
2. Passez les fils et/ou câbles dans les trois sections.
3. Remettez les caches.

---

## 8

**Voir l'illustration de la page 23.**

**Réglages**

Régalez la tension d'inclinaison vers le haut/bas à la main ou à l'aide de la clé hexagonale [24].

**Rangement**

Une fois l'installation terminée, retirez la pièce bloquante en U [29] de la position verrouillée **A** et rentrez-la dans la rainure de l'une des glissières de rangement **B**.

**! VORSICHT:**

WICHTIGE SICHERHEITSHINWEISE – BEWAHREN SIE DIESE HINWEISE SORGFÄLTIG AUF – LESEN SIE VOR DEM GEBRAUCH DES PRODUKTS DAS GESAMTE HANDBUCH

Spezifikationen

- ✘ Tragkraft: 27.22 kg (60 lbs)
- ✘ Schwenkbar:  $\pm 35^\circ$
- ✘ Neigungswinkel:  $-10^\circ$
- ✘

**! VORSICHT:** Vermeiden Sie potenzielle Personen- und Sachschäden!

- ✘ Verwenden Sie dieses Produkt nur für den von hersteller ausdrücklich angegebenen Zweck.
- ✘ Die Wand muss das Fünffache des Gesamtgewichts von Monitor und Halterung tragen können.
- ✘ Dieses Produkt ist nicht für die Verwendung an Wänden mit Metallträgern geeignet!
- ✘ Falls Sie diese Anleitung nicht verstehen sollten oder Zweifel bezüglich der sicheren Montage, des Zusammenbaus oder der Verwendung des Produkts haben, kontaktieren Sie den Kundendienst von hersteller oder einen qualifizierten Auftragnehmer.
- ✘ Hersteller haftet nicht für Schäden oder Verletzungen, die durch falsche Montage oder Verwendung verursacht werden.

**Gelieferte Teile und Beschläge. Siehe Abbildung auf Seite 8.**

Überprüfen Sie, bevor Sie mit dem Zusammenbau beginnen, ob alle Teile vorhanden und unbeschädigt sind. Falls Teile fehlen oder beschädigt sind, geben Sie den Artikel nicht an Ihren Händler zurück; setzen Sie sich vielmehr mit dem Kundendienst in Verbindung. Niemals beschädigte Teile verwenden!

**HINWEIS:** Es werden nicht alle Beschläge verwendet.

**1**

Siehe Abbildung auf Seite 10.

**Montieren der TV-Halterungen für Fernseher mit Rückseite mit Unebenheiten oder Hindernissen**

Bestimmen Sie vor Montagebeginn den geeigneten Schraubendurchmesser (M4, M5, M6 oder M8), indem Sie die Schrauben mit der Hand in die Gewindeinsätze an der Rückseite Ihres Fernsehers schrauben. Stellen Sie sicher, dass geeignete Gewindegänge für die Befestigung der Anschlussplatten am Monitor vorhanden sind. Falls Sie auf Widerstand stoßen, brechen Sie die Montage unverzüglich ab und rufen Sie den Kundendienst an.

**! VORSICHT:** Vermeiden Sie Verletzungen und Sachschäden! Verwenden Sie die kürzeste Schrauben-Abstandshalter-Kombination, die unter den gegebenen Montagebedingungen möglich ist. Die Verwendung von zu langen Schrauben kann die inneren Komponenten Ihres Monitors beschädigen.

**1-1** Geeignet für Fernseher mit flacher/hindernisfreier Rückseite. Achten Sie darauf, dass die Anschlussplatten flach auf der Rückseite des Fernsehers anliegen und vertikal zentriert sind. Wenn Sie mehr Platz für Kabel, Vertiefungen oder Überstände benötigen, wählen Sie eine Montageoption mit Abstandshaltern (1-2, oder 1-3).

**1-2** Geeignet für Fernseher mit unebener Rückseite mit Hindernissen. Achten Sie darauf, dass die Anschlussplatten flach auf der Rückseite des Fernsehers anliegen. Die Abbildungen zeigen Standardkonfigurationen. Für Spezialanwendungen oder, wenn Sie sich bei der Wahl der Befestigungsmaterialien nicht sicher sind, wenden Sie sich an den Kundendienst.

**1-3** Geeignet für Fernseher mit unebener Rückseite mit Hindernissen. Achten Sie darauf, dass die Anschlussplatten flach auf der Rückseite des Fernsehers anliegen. Die Abbildungen zeigen Standardkonfigurationen. Für Spezialanwendungen oder, wenn Sie sich bei der Wahl der Befestigungsmaterialien nicht sicher sind, wenden Sie sich an den Kundendienst.

**2**

Siehe Abbildung auf Seite 14.

**Vorbereiten der Wandplatte zur Montage:**

- A. Schieben Sie die Arme der Wandplatte **[02]** zusammen und führen Sie den Riegel **[29]** an der entsprechenden Position ein. Dadurch werden die voll ausgezogenen Arme in ihrer Position verriegelt, was die Montage der Wandplatte und die Befestigung des Fernsehers erleichtert.
- B. Schrauben Sie die Feststellschrauben **[28]** mithilfe des 3/16-Zoll-Inbusschlüssels **[25]** in die Seiten der Frontplatte. Schrauben Sie sie nur soweit ein, bis das Ende der Schraube mit der Innenseite der Platte bündig abschließt. So lässt sich der Fernseher ohne Behinderung montieren.

**3**

Siehe Abbildung auf Seite 16.

**Wandmontage**

Hilfe zum Bestimmen der geeigneten Wandplattenposition finden Sie unter Height Finder auf [sanus.com](http://sanus.com).

### 3-1: Montage an Holzbalken

**⚠ VORSICHT:** Eine unsachgemäße Verwendung kann die Haltekraft der Ankerschraube verringern. Vermeiden Sie Verletzungen und Sachschäden:

- ✘ Vorbohrungen MÜSSEN mit einem 5,5-mm-Bohrer (7/32 Zoll) bis zu 75 mm (3 Zoll) tief gebohrt werden.
- ✘ Ziehen Sie die Ankerschrauben [32] nicht zu fest an.
- ✘ Die Materialien zur Abdeckung der Wand dürfen nicht stärker als 16 mm (5/8 Zoll) sein.

### 3-2: Montage an einer Wand aus Massivbeton oder Betonblöcken

**VORSICHT:** Eine unsachgemäße Verwendung kann die Haltekraft der Ankerschraube verringern. Vermeiden Sie Verletzungen und Sachschäden:

- ✘ Vorbohrungen MÜSSEN mit einem 10-mm-Bohrer (3/8 Zoll) bis zu 75 mm (3 Zoll) tief gebohrt werden.
- ✘ Stellen Sie sicher, dass die Dübel [30] bündig mit der Betonoberfläche abschließen.
- ✘ Montieren Sie die Wandplatte direkt an der Betonfläche.
- ✘ Bohren Sie niemals in den Mörtel zwischen den Blöcken.
- ✘ Ziehen Sie die Ankerschrauben [32] nicht zu fest an.

## 3-1

**Montage an Holzbalken – Vorsichtsmaßnahmen siehe Schritt 3.**

1. Suchen Sie Stollen. Überprüfen Sie die Mitte des Bolzens mit einer Ahle oder dünnen Nagel oder verwenden Sie eine Kante zu Kante Gestüt FINDER.
2. Level die Wandplatte [02] und markieren Sie das Loch Standorten.
3. Bohren Löcher wie abgebildet.
4. Ankerschrauben [32] nur so weit an, bis die Unterlegscheiben [31] fest an der Wandplatte [02] anliegen.

## 3-2

**Für Informationen zur Montage an einer Wand aus Massivbeton oder Betonblöcken siehe 3.**

1. Level die Wandplatte [02] und markieren Sie das Loch Standorten.
2. Bohren Sie Vorbohrungen wie in der Abbildung dargestellt.
3. Führen Sie Ankerschraubendübel [30].
4. Ziehen Sie die Ankerschrauben [32] nur so weit an, bis die Unterlegscheiben [31] fest an der Wandplatte [02] anliegen.

---

## 4

Siehe Abbildung auf Seite 19.

**Montieren des Kabelführungsbausatzes (optional) und der Wandplattenabdeckungen an der Wandplatte**

1. Befestigen Sie die obere Abdeckung [05] mit vier Schrauben [27]. Verwenden Sie dazu den 1/8-Zoll-Inbusschlüssel [23].
2. Befestigen Sie die untere Abdeckung [05] mit vier Schrauben [27]. Bringen Sie dabei die hintere Halterung des Kabelführungsbausatzes [04] zwischen der Abdeckung [05] und der unteren Horizontalen der Wandplatte [02] an. Verwenden Sie dazu den 1/8-Zoll-Inbusschlüssel [23].

---

## 5

Siehe Abbildung auf Seite 20.

**Befestigen des Fernsehers an der Wandplatte**

**VORSICHT, SCHWER!** Bei diesem Schritt werden Sie Hilfe benötigen.

1. Hängen Sie den Fernseher mithilfe der Anschlussplatte [03] an die Frontplatte der Wandplatte [02]. Die unteren Befestigungsrippen der Anschlussplatte [03] passen in die Schlüssellockerkerben der Frontplatte der Wandplatte [02]. Die oberen Noppen lassen sich in die oberen Ausnehmungen der Frontplatte der Wandplatte [02] einhängen.
2. Befestigen Sie den Fernseher an der Frontplatte der Wandplatte [02], indem Sie die Feststellschrauben [28] mit dem 3/16-Zoll-Inbusschlüssel [25] festziehen, bis sie die oberen Noppen der Halterung [03] festklemme

---

## 6

Siehe Abbildung auf Seite 21.

**Montieren des Kabelführungsbausatzes (optional) an der TV-Halterung.**

Befestigen Sie vordere Haltung des Kabelführungsbausatzes [04] mit drei Schrauben [26] an der Rückseite der TV-Halterung [03]. Verwenden Sie dazu den 1/8-Zoll-Inbusschlüssel [23].

---

## 7

Siehe Abbildung auf Seite 22.

**Kabelführung (optional)**

Schließen Sie die erforderlichen Drähte und/oder Kabel am Fernseher an.

1. Schieben Sie die drei Abdeckungen des Kabelführungsbausatzes [09] von der Vorderseite (Frontplattenhalterung), Rückseite (Wandplattenhalterung) bzw. Mitte (schwebend).
2. Führen Sie die Drähte und/oder Kabel durch die drei Abschnitte durch.
3. Bringen Sie die Abdeckungen wieder an.

---

## 8

Siehe Abbildung auf Seite 23.

**Einstellungen**

Die Neigungsspannung kann mit der Hand oder mithilfe des M3-Inbusschlüssels [24] eingestellt werden.

**Aufbewahrung**

Wenn Sie mit der Montage fertig sind, entfernen Sie den Riegel [29] aus der Verriegelungsposition und stecken Sie ihn zur Aufbewahrung in eine der Rillen der Gleitschienen B.

**⚠ PRECAUCIÓN:**

INSTRUCCIONES IMPORTANTES DE SEGURIDAD – CONSERVE ESTAS INSTRUCCIONES – LEA TODO EL MANUAL ANTES DE UTILIZAR ESTE PRODUCTO

## Especificaciones

- ✖ Peso máximo admitido: 27.22 kg (60 lbs)
- ✖ Rotación:  $\pm 35^\circ$
- ✖ Inclinación:  $-10^\circ$

**⚠ VORSICHT:** Vermeiden Sie potenzielle Personen- und Sachschäden!

- ✖ Verwenden Sie dieses Produkt nur für den von hersteller ausdrücklich angegebenen Zweck.
- ✖ Die Wand muss das Fünffache des Gesamtgewichts von Monitor und Halterung tragen können.
- ✖ Dieses Produkt ist nicht für die Verwendung an Wänden mit Metallträgern geeignet!
- ✖ Falls Sie diese Anleitung nicht verstehen sollten oder Zweifel bezüglich der sicheren Montage, des Zusammenbaus oder der Verwendung des Produkts haben, kontaktieren Sie den Kundendienst von hersteller oder einen qualifizierten Auftragnehmer.
- ✖ Hersteller haftet nicht für Schäden oder Verletzungen, die durch falsche Montage oder Verwendung verursacht werden.

**Gelieferte Teile und Beschläge. Siehe Abbildung # auf Seite 8.**

Überprüfen Sie, bevor Sie mit dem Zusammenbau beginnen, ob alle Teile vorhanden und unbeschädigt sind. Falls Teile fehlen oder beschädigt sind, geben Sie den Artikel nicht an Ihren Händler zurück; setzen Sie sich vielmehr mit dem-Kundendienst in Verbindung. Niemals beschädigte Teile verwenden!

**HINWEIS:** Es werden nicht alle Beschläge verwendet.

**1**

Consulte el gráfico en la página 10.

**Instalación de las placas de sujeción en televisores con parte posterior irregular o con obstrucciones**

Antes de comenzar, enrosque manualmente los tornillos en los encastres roscados de la parte posterior del televisor a fin de determinar el diámetro correcto de los tornillos (M4, M5, M6 o M8). Verifique que las roscas sean adecuadas para fijar las placas al televisor. Si encuentra resistencia, deténgase de inmediato y contáctese con el servicio de atención al cliente.

**⚠ PRECAUCIÓN:** Evite lesiones físicas y daños materiales. Utilice la combinación más corta de tornillo y separador según las necesidades. Utilizar tornillos demasiado largos puede dañar los componentes internos del televisor.

**1-1** Para televisores con parte posterior plana o libre de obstrucciones. Asegúrese de que las placas de sujeción queden niveladas en la parte posterior del televisor y centradas verticalmente. Si necesita más espacio para cables, concavidades o protuberancias, consulte una opción de instalación (1-2, ó 1-3) que utilice separadores.

**1-2** Para televisores con parte posterior irregular o con obstrucciones. Asegúrese de que las placas de sujeción queden niveladas en la parte posterior del televisor. Se ilustran las configuraciones estándar. Si desea información sobre aplicaciones especiales o si tiene dudas sobre la selección de piezas, contáctese con el servicio de atención al cliente.

**1-3** Para televisores con parte posterior irregular o con obstrucciones. Asegúrese de que las placas de sujeción queden niveladas en la parte posterior del televisor. Se ilustran las configuraciones estándar. Si desea información sobre aplicaciones especiales o si tiene dudas sobre la selección de piezas, contáctese con el servicio de atención al cliente.

**2**

Consulte el gráfico en la página 14.

**Preparación de la placa mural para montaje:**

- Deslice los brazos de la placa mural [02] juntos e inserte el dispositivo de bloqueo [29] en su lugar. Esto bloqueará los brazos en la posición extendida y facilitará el montaje de la placa mural y del televisor.
- Instale los tornillos de seguridad [28] en los laterales de la placa frontal utilizando la llave hexagonal de 3/16 de pulgada [25]. Atornille solamente hasta que el extremo del tornillo quede al ras de la superficie interior de la placa. Esto permitirá montar el televisor sin interferencias.

**3**

Consulte el gráfico en la página 16.

**Montaje sobre pared**

Si necesita ayuda para determinar la ubicación de la placa mural, utilice la herramienta HeightFinder disponible en sanus.com.

**3-1: Montaje sobre montantes de madera**

**⚠ PRECAUCIÓN:** El uso indebido podría reducir la capacidad de retención de los tornillos. Para evitar lesiones y daños materiales:

- ✖ Los orificios DEBEN realizarse con una mecha de 5,5 mm (7/32 pulgada) de diámetro hasta una profundidad de 75 mm (3 pulgadas).
- ✖ No ajuste en exceso los tornillos [32].
- ✖ El material que recubre la pared no debe exceder los 16 mm (5/8 pulgada).

### 3-2: Montaje sobre concreto macizo o sobre bloques de hormigón

**⚠PRECAUCIÓN:** El uso indebido podría reducir la capacidad de retención de los tornillos. Para evitar lesiones y daños materiales:

- ✘ Los orificios DEBEN realizarse con una mecha de 10 mm (3/8 pulgada) de diámetro hasta una profundidad de 75 mm (3 pulgadas).
- ✘ Cerciórese de que los anclajes [30] queden nivelados respecto de la superficie de hormigón.
- ✘ Instale la placa mural directamente sobre la superficie de hormigón.
- ✘ Nunca perforo el cemento que une los bloques.
- ✘ No ajuste en exceso los tornillos [32].

### 3-1

**Pared de madera de montaje - Véase Precauciones en el paso 3.**

1. Busque tacos. Verificar el centro del perno con un punzón o clavo delgado o utilizar un borde a borde buscador de estudios.
2. Nivel de la placa de pared [02] y marque la ubicación agujero.
3. Perforar agujeros piloto como se ilustra.
4. Apriete los pernos [32] sólo hasta que las arandelas [31] hagan tope contra la placa para la pared [02].

### 3-2

**Para montaje sobre concreto macizo o sobre bloques de hormigón, consulte 3.**

1. Nivel de la placa de pared [02] y marque la ubicación agujero.
2. Realice los orificios como se indica en la ilustración.
3. Inserte los anclajes [30].
4. Ajuste los tornillos [32] solamente hasta que las arandelas [31] queden firmes contra la placa mural [02].

## 4

Consulte el gráfico en la página 19.

**Instalación del organizador de cables (opcional) y de las cubiertas en la placa mural**

1. Para montar la cubierta superior [05], instale los cuatro tornillos [27] utilizando la llave hexagonal de 1/8 de pulgada [23].
2. Para montar la cubierta inferior [05], primero coloque el módulo posterior del organizador de cables [04] entre la cubierta [05] y el soporte horizontal inferior de la placa mural [02] y luego instale los cuatro tornillos [27] utilizando la llave hexagonal de 1/8 de pulgada [23].

## 5

Consulte el gráfico en la página 20.

**Montaje del televisor en la placa mural**

**¡PESADO!** Necesitará ayuda para realizar esta operación.

1. Cuelgue el televisor con la placa de sujeción [03] en la placa frontal de la placa mural [02]. Las perillas de montaje inferiores de la placa de sujeción [03] encajarán en los orificios de la placa frontal de la placa mural [02] y las perillas superiores encajarán en las ranuras superiores de la placa frontal de la placa mural [02].
2. Fije el televisor a la placa frontal de la placa mural [02] ajustando los tornillos de seguridad [28] con la llave hexagonal de 3/16 de pulgada [25] hasta que enganchen las perillas superiores de la placa de sujeción [03].

## 6

Consulte el gráfico en la página 21.

**Instalación del organizador de cables (opcional) en la placa de sujeción del televisor**

Fije el módulo frontal del organizador de cables [04] a la parte posterior de la placa de sujeción del televisor [03] colocando los tres tornillos [26] con la llave hexagonal de 1/8 de pulgada [23].

## 7

Consulte el gráfico en la página 22.

**Organización de cables (opcional)**

Enchufe los cables necesarios al televisor.

1. Deslice las tres cubiertas del sistema organizador de cables [09] para abrir los módulos frontal (placa frontal), posterior (placa mural) y medio (flotante).
2. Pase los cables por las tres secciones.
3. Cierre las cubiertas.

## 8

Consulte el gráfico en la página 23.

**Ajustes**

Ajuste la tensión de inclinación hacia arriba o hacia abajo en forma manual o con la llave hexagonal M3 [24].

**Almacenaje**

Una vez finalizada la configuración, quite el dispositivo de bloqueo [29] de la posición de bloqueo (A) y colóquelo en las ranuras de una de las guías para almacenaje (B).



## ⚠ ATENÇÃO:

INSTRUÇÕES DE SEGURANÇA IMPORTANTES – GUARDE ESTAS INSTRUÇÕES – LEIA O MANUAL INTEIRO ANTES DE USAR ESTE PRODUTO

### Especificações

- ✖ Capacidade de peso: 27.22 kg (60 lbs)
- ✖ Giro:  $\pm 35^\circ$
- ✖ Inclinação:  $-10^\circ$

**⚠ ATENÇÃO:** Evite possíveis ferimentos pessoais e danos à propriedade! !

- ✖ Não use este produto para uma finalidade diferente daquela explicitamente especificada pela fabricante.
- ✖ A parede tem que ser capaz de suportar cinco vezes o peso do monitor e do suporte combinados.
- ✖ Este produto não foi projetado para uso em paredes com parafusos de metal!
- ✖ Se houver dúvida sobre essas instruções ou sobre a segurança da instalação, montagem ou uso deste produto, entre em contato com o Atendimento ao Cliente da fabricante ou ligue para um prestador de serviços qualificado.
- ✖ A fabricante não se responsabiliza por danos ou ferimentos causados por montagem ou uso incorretos.

**Partes e Ferramentas Fornecidas. Consulte da ilustração na página 8.**

Antes de iniciar a montagem, verifique se todas as partes foram incluídas e se não são defeituosas. Caso faltarem peças ou haja peças defeituosas não devolva a peça ao seu ponto de venda; contacte o Serviço de Apoio ao Cliente da. Nunca use peças defeituosas!

**OBSERVAÇÃO:** Nem todas as ferramentas serão usadas.

## 1 Consulte da ilustração na página 10.

### AMontagem dos suportes de TV em TVs com a parte traseira irregular ou obstruída

Antes de começar, rosqueie com a mão os parafusos nas inserções de rosca, na parte traseira da TV, para determinar o diâmetro correto do parafuso (M4, M5, M6, ou M8). Verifique se há roscas adequadas para prender os suportes no monitor. Se você encontrar resistência, pare imediatamente e contate o serviço ao cliente.

**⚠ CUIDADO:** Evite possíveis ferimentos pessoais e dano à propriedade! Use a combinação mais curta de parafuso e espaçador para acomodar suas necessidades. O uso de material mais longo pode danificar os componentes internos do seu monitor.

**1-1** Para TVs com a parte traseira plana/não obstruída. Verifique se os suportes estão nivelados na parte de trás da TV e centralizados verticalmente. Se precisar de espaço extra para acomodar cabos, recessos ou saliências, consulte uma opção de instalação (1-2 ou 1-3) que use espaçadores.

**1-2** Para TVs com a parte traseira irregular/obstruída. Verifique se os suportes estão nivelados na parte de trás da TV. As configurações padrão são mostradas. Para aplicações especiais, ou se você não tiver certeza sobre sua seleção de ferramentas, contate o Serviço ao cliente.

**1-3** Para TVs com a parte traseira irregular/obstruída. Verifique se os suportes estão nivelados na parte de trás da TV. As configurações padrão são mostradas. Para aplicações especiais, ou se você não tiver certeza sobre sua seleção de ferramentas, contate o Serviço ao cliente.

## 2 Consulte da ilustração na página 14.

### Para preparar a placa de parede para montagem:

- Deslize os braços da placa de parede [02] juntos e encaixe a trava deslizante [29] na posição. Isso travará os braços em toda a extensão, facilitando a montagem da placa de parede e a conexão da TV.
- Instale os parafusos autotravantes [28] nos lados da placa de frontal usando a chave sextavada de 3/16 pol. [25]. Aparafuse somente até que a extremidade do parafuso esteja nivelada com a parte interna da placa. Isso permitirá que a TV seja montada sem interferência.

## 3 Consulte da ilustração na página 16.

### Montagem na parede

Para obter assistência na determinação do local da placa da parede, consulte [sanus.com](http://sanus.com).

### 3-1: Montagem com parafuso na madeira

**⚠ ATENÇÃO:** O uso incorreto pode reduzir a potência de fixação do parafuso interfragmentário. Para evitar possíveis ferimentos ou dano à propriedade:

- ✖ Os furos-piloto DEVEM ser perfurados até uma profundidade de 75 mm (3,0 pol.), usando uma broca de 5,5 mm (7/32 pol.) de diâmetro.
- ✖ Não aperte demais os parafusos interfragmentários [32].
- ✖ Qualquer material que cubra a parede não deve exceder 16 mm (5/8 pol.).

### 3-2: Montagem em concreto sólido e em bloco de concreto

**⚠ATENÇÃO:** O uso incorreto pode reduzir a potência de fixação do parafuso interfragmentário. Para evitar possíveis ferimentos ou dano à propriedade:

- ✘ Os furos-piloto DEVEM ser perfurados até uma profundidade de 75 mm (3,0 pol.), usando uma broca de 10 mm (3/8 pol.) de diâmetro.
- ✘ Certifique-se de que as âncoras [30] assentam de forma plana na superfície de concreto.
- ✘ Monte a placa da parede diretamente na superfície de concreto.
- ✘ Nunca perfure o cimento entre os blocos.
- ✘ Não aperte demais os parafusos interfragmentários [32].

### 3-1

**Montagem com parafuso na madeira - Consulte Cuidados na etapa 3.**

1. Localize pregos. Verifique se o centro do parafuso com um prego ou furador fino ou usar uma borda a borda stud finder.
2. Nível placa na parede [02] e marcar os locais buraco.
3. Faça furos piloto como ilustrado.
4. Apertar os parafusos sextavados [32] apenas até que as anilhas [31] sejam encostadas à placa de parede [02]

### 3-2

**Para montagem em concreto sólido ou bloco de concreto, consulte a etapa 3.**

1. Nível placa na parede [02] e marcar os locais buraco.
2. Perfure orifícios guia conforme mostra a ilustração.
3. Insira âncoras de parafusos interfragmentários [30].
4. Aperte os parafusos interfragmentários [32] somente até as arruelas [31] serem puxadas firmemente contra a placa da parede [02].

## 4

**Consulte da ilustração na página 19.**

**Instale o conjunto de orientação (opcional) dos fios e as tampas da placa de parede na parede.**

1. Monte a tampa superior [05] usando a chave sextavada de 1/8 pol. [23] para instalar quatro parafusos [27].
2. Monte a tampa inferior [05] usando a chave sextavada de 1/8 pol. [23] para instalar quatro parafusos [27] enquanto encaixa o suporte traseiro do conjunto de orientação dos fios [04] entre a tampa [05] e a parte horizontal inferior da placa de parede [02].

## 5

**Consulte da ilustração na página 20.**

**Prenda a TV na placa de parede**

**PESADO!** Necessitará de ajuda nesta etapa.

1. Pendure a TV com o suporte de montagem [03] na placa frontal da placa de parede [02]. Os botões de montagem inferiores do suporte de montagem [03] encaixarão nos espaços do orifício da chave da placa frontal da parede [02], enquanto os botões superiores se encaixarão nos espaços superiores da placa frontal da parede [02].
2. Prenda a TV na placa de frontal da placa de parede [02] apertando os parafusos autotravantes [28] com a chave sextavada de 3/16 pol. [25] até que eles prendam os botões superiores do suporte [03].

## 6

**Consulte da ilustração na página 21.**

**Instale o conjunto de orientação (opcional) dos fios no suporte da TV.**

Encaixe o suporte dianteiro do conjunto de orientação dos fios [04] na parte traseira do suporte da TV [03] usando a chave sextavada de 1/8 pol. [23] para instalar três parafusos [26].

## 7

**Consulte da ilustração na página 22.**

**Orientação dos fios (opcional)**

Conecte os fios e/ou cabos necessários na TV.

1. Deslize as três tampas do conjunto de orientação dos fios [09] para fora da parte dianteira (suporte da placa frontal), traseira (suporte da placa de parede) e central (flutuante).
2. Direcione os fios ou cabos pelas três seções.
3. Substitua as tampas.

## 8

**Consulte da ilustração na página 23.**

**Ajustes**

Ajuste a tensão de inclinação acima/abaixo com a mão ou usando a chave sextavada M3 [24].

**Armazenamento**

Após concluída a instalação, remova a trava deslizante [29] da posição de travamento A e encaixe-a nas ranhuras de uma das correções para armazenamento B.

**! LET OP:**

BELANGRIJKE VEILIGHEIDSLINSTRUCTIES – BEWAAR DEZE GOED – GAAT GEBRUIKEN

Specificaties

- ✘ Gewichtscapaciteit: 27.22 kg (60 lbs)
- ✘ Zwenking:  $\pm 35^\circ$
- ✘ Kanteling:  $-10^\circ$

**! LET OP:** Voorkom persoonlijk letsel of schade aan de apparatuur!

- ✘ Gebruik dit product niet voor doeleinden die niet expliciet zijn gespecificeerd door fabrikant.
- ✘ De wand moet geschikt zijn om vijf keer het gecombineerde gewicht van het scherm en de montagesteun te ondersteunen.
- ✘ Dit product is niet ontworpen voor gebruik aan een muur met een metalen constructie!
- ✘ Als u deze instructies niet begrijpt of twijfelt over de veiligheid van de installatie, de montage of het gebruik van dit product, neemt u contact op met de klantenservice van fabrikant of belt u met een erkend vakman.
- ✘ Fabrikant is niet verantwoordelijk voor schade of letsel als gevolg van onjuiste montage of verkeerd gebruik.

**Bijgeleverde onderdelen en materialen. Raadpleeg afbeelding op pagina 8.**

Voordat u begint met de montage dient u eerst te controleren of alle onderdelen onbeschadigd zijn bijgeleverd. Wanneer er onderdelen ontbreken of beschadigd zijn, stuur het artikel dan niet terug naar uw dealer; neem contact op met de afdeling Customer service van. Gebruik nooit beschadigde onderdelen!

**OPMERKING:** Niet alle materialen worden gebruikt.**1****Raadpleeg afbeelding op pagina 10.****Tv-beugels monteren voor tv's met een ongelijkmatige achterkant of een achterkant met uitsteeksels**

Voordat u begint, moet u de schroeven handmatig vastdraaien in de schroefinzetten aan de achterkant van de tv, zodat u de juiste schroefdiameter kunt bepalen (M4, M5, M6, of M8). Controleer of er geschikte schroefdraden zijn om de beugels mee op de monitor te bevestigen. Als u weerstand voelt, moet u onmiddellijk stoppen en contact opnemen met de klantenservice.

**! LET OP:** Voorkom persoonlijk letsel of schade aan de apparatuur! Gebruik de kortst mogelijke combinatie van schroef en afstandsringetje om te voorzien in uw behoeften. Gebruik van te lange schroeven kan de interne onderdelen van uw scherm beschadigen.

**1-1** Voor tv's met een vlakke achterkant zonder uitsteeksels. Zorg ervoor dat de beugels vlak op de achterkant van de tv liggen en verticaal zijn gecentreerd. Als u extra ruimte nodig hebt voor kabels, uitsparingen of uitsteeksels, kies dan voor een installatieoptie (1-2 of 1-3) waarbij afstandsringen worden gebruikt.

**1-2** Para TVs com a parte traseira irregular/obstruída. Verifique se os suportes estão nivelados na parte de trás da TV. As configurações padrão são mostradas. Para aplicações especiais, ou se você não tiver certeza sobre sua seleção de ferramentas, contate o Serviço ao cliente.

**1-3** Para TVs com a parte traseira irregular/obstruída. Verifique se os suportes estão nivelados na parte de trás da TV. As configurações padrão são mostradas. Para aplicações especiais, ou se você não tiver certeza sobre sua seleção de ferramentas, contate o Serviço ao cliente.

**2****Raadpleeg afbeelding op pagina 14.****De wandplaat voorbereiden voor montage:**

Schuif de armen van de wandplaat [02] samen en breng de schuifvergrendeling [29] aan. Hiermee worden de armen volledig uitgetrokken vergrendeld, waardoor de wandplaat en tv-bevestiging eenvoudiger kunnen worden gemonteerd.

Plaats de vergrendelschroeven [28] in de zijanten van de frontplaat met de 3/16 in zeskantsleutel [25]. Draai de schroeven slechts zover naar binnen dat het uiteinde van de schroeven gelijk is met de binnenkant van de plaat. Op deze manier kan de tv ongestoord worden gemonteerd.

**3****Raadpleeg afbeelding op pagina 16.****Wandmontage**

Voor hulp bij het bepalen van de locatie voor de wandplaat, zie Height Finder op sanus.com.

**3-1: Montage aan een houten drager**

**! LET OP:** Een onjuist gebruik kan de grip van de bout verminderen. Mogelijk letsel of materiële schade voorkomen:

- ✘ De montagegaten MOETEN tot een diepte van 75 mm worden geboord met behulp van een boorkop van 5,5 mm.
- ✘ Draai de bouten niet te strak [32].
- ✘ Materialen die de muur bedekken, mogen niet dikker zijn dan 16 mm.



### 3-2: Bevestiging in massief beton of betonblokken

▲ **LET OP:** Een onjuist gebruik kan de grip van de bout verminderen. Mogelijk letsel of materiële schade voorkomen:

- ✘ De montagegaten MOETEN tot een diepte van 75 mm worden geboord met behulp van een boorkop van 10 mm.
- ✘ Zorg ervoor dat de ankers [30] gelijk zijn aan het betonnen oppervlak.
- ✘ Bevestig de wandplaat rechtstreeks op het betonnen oppervlak.
- ✘ Boor nooit in het cement tussen blokken.
- ✘ Draai de bouten niet te strak [32].

### 3-1

**Wood Stud wandmontage - Waarschuwingen Zie stap 3.**

1. Studs lokaliseren. Controleer het midden van de stoeterij met een priem of dun spijker of gebruik een rand tot rand stud finder.
2. Niveau de wandplaat [02] en het merk van het gat locaties.
3. Boor gaten zoals geïllustreerd.
4. Draai de schroeven [32] slechts aan totdat de ringen [31] tegen de muurplaat worden geduwd [02].

### 3-2

**Voor montage aan massief beton of een betonblok, zie 3.**

1. Niveau de wandplaat [02] en het merk van het gat locaties.
2. Boor de montagegaten zoals in de illustratie wordt getoond.
3. Plaats de ankers voor de bouten [34].
4. Draai de bouten [36] alleen vast tot de ringen [35] stevig tegen de wandplaat [08] zitten.

## 4

**Raadpleeg afbeelding op pagina 19.**

**Installeer het kabelbeheersysteem (optionele) en de wandplaatafdekkingen op de wandplaat.**

1. Monteer de bovenste afdekking [05] met behulp van de 1/8 in. zeskantsleutel [23] om vier schroeven [27] aan te brengen.
2. Monteer de onderste afdekking [05] met behulp van de 1/8 in. zeskantsleutel [23] om vier schroeven [27] aan te brengen terwijl u de achterste montage van het kabelbeheersysteem [04] plaatst tussen de afdekking [05] en de onderste horizontale kant van de wandplaat [02].

## 5

**Raadpleeg afbeelding op pagina 20.**

**De tv bevestigen aan de wandplaat**

**ZWAAR!** Voor het uitvoeren van deze stap is assistentie vereist.

1. Hang de tv met de montagebeugel [03] op de frontplaat van de wandplaat [02]. De onderste montageknoppen van de montagebeugel [03] passen in de sleutelgatsleuven van de frontplaat van de wandplaat [02] terwijl de bovenste knoppen in de bovenste sleuven van de frontplaat van de wandplaat [02] vallen.
2. Bevestig de tv op de frontplaat van de wandplaat [02] door de vergrendelschroeven [28] vast te draaien met de 3/16 in. zeskantsleutel [25] tot ze de bovenste knoppen van de beugel [03] ondervangen.

## 6

**Raadpleeg afbeelding op pagina 21.**

**Installeer het kabelbeheersysteem (optionele) op de tv-beugel.**

Plaats de voorkant van het kabelbeheersysteem [04] op de achterkant van de tv-beugel [03] met behulp van de 1/8 in. zeskantsleutel [23] om drie schroeven aan te brengen [26].

## 7

**Raadpleeg afbeelding op pagina 22.**

**Kabelbeheer (optionele)**

Sluit de benodigde snoeren en/of kabels aan op de tv.

1. Schuif de drie afdekkingen van het kabelbeheersysteem [09] van de voorkant (frontplaatmontage), de achterkant (wandplaatmontage) en het midden (zwevend).
2. Leid de snoeren en/of kabels door de drie secties.
3. Plaats de afdekkingen weer terug.

## 8

**Raadpleeg afbeelding op pagina 23.**

**Aanpassingen**

Pas de kantelspanning omhoog/omlaag handmatig aan of met behulp van de M3-zeskantsleutel [24].

**Opslag**

Nadat de installatie is voltooid, haalt u schuifvergrendeling [29] van vergrendelpositie **A** en plaatst u deze in de groeven op een van de schuiven voor opslag **B**.

**⚠ Attenzione:**

ISTRUZIONI DI SICUREZZA IMPORTANTI – CONSERVARE CON CURA QUESTE ISTRUZIONI – LEGGERE TUTTE LE ISTRUZIONI PRIMA DI USARE QUESTO PRODOTTO

Specifiche

- ✘ Portata: 27.22 kg (60 lbs)
- ✘ Funzione girevole:  $\pm 35^\circ$
- ✘ Inclinazione:  $-10^\circ$

**⚠ Attenzione:** Evitare di causare danni a persone e/o a cose!

- ✘ Non utilizzare il prodotto per qualsiasi scopo non esplicitamente specificato da produttore.
- ✘ La parete deve essere in grado di sostenere cinque volte il peso complessivo del monitor e di tutti i supporti.
- ✘ Questo prodotto non è progettato per l'uso su pareti con montanti metallici.
- ✘ Se le istruzioni risultassero poco chiare o in casi dubbi riguardo la sicurezza dell'installazione, dell'assemblaggio o dell'utilizzo del prodotto, contattare l'Assistenza clienti produttore, oppure rivolgersi a un tecnico qualificato.
- ✘ Produttore non è responsabile per danni o lesioni personali derivanti dall'assemblaggio o dall'uso non corretti.

**Parti ed elementi di montaggio in dotazione. Si veda la grafica a pagina 8.**

Prima di procedere al montaggio verificare che siano presenti tutti i componenti e che gli stessi non siano danneggiati. Qualora qualche pezzo risultasse mancante o danneggiato, si invita l'utilizzatore a non restituire l'unità al rivenditore ma a contattare il Servizio Clienti di. Non usare mai componenti danneggiati!

**NOTA:** Alcuni degli elementi di montaggio forniti non saranno utilizzati.

**1**

**Si veda la grafica a pagina 10.**

**Installazione delle staffe di televisori a dorso irregolare oppure ostruito**

Prima di cominciare, presentare le viti negli inserti filettati sul retro del televisore per determinare il diametro corretto (M4, M5, M6, o M8). Assicurarsi che la parte filettata sia sufficiente ad assicurare le staffe al monitor. Se si avverte resistenza, fermarsi subito e contattare l'Assistenza clienti.

**⚠ ATTENZIONE:** Evitare la possibilità di danni alle cose e lesioni alle persone! Per rispondere alle proprie esigenze, utilizzare la combinazione vite/distanziatore più corta. L'uso di viti troppo lunghe potrebbe danneggiare i componenti interni del monitor.

**1-1** Per televisori a dorso piatto/libero. Assicurarsi che le staffe siano livellate sul retro del televisore e centrate verticalmente. Se c'è bisogno di spazio supplementare per sistemare cavi, incassi o sporgenze, vedere una delle opzioni di installazione (1-2 o 1-3) che usa i distanziatori.

**1-2** Per televisori a dorso irregolare/ostruito. Assicurarsi che le staffe siano livellate sul retro del televisore. L'illustrazione mostra le configurazioni standard. Per applicazioni particolari, o in caso di qualsiasi dubbio sulla selezione dell'hardware, rivolgersi all'Assistenza clienti.

**1-3** Per televisori a dorso irregolare/ostruito. Assicurarsi che le staffe siano livellate sul retro del televisore. L'illustrazione mostra le configurazioni standard. Per applicazioni particolari, o in caso di qualsiasi dubbio sulla selezione dell'hardware, rivolgersi all'Assistenza clienti.

**2**

**Si veda la grafica a pagina 14.**

**Per preparare la piastra a muro per il montaggio:**

- A. Far scorrere insieme i supporti della piastra a muro [02] e inserire il blocco a scorrimento [29] in posizione. Questa operazione blocca i supporti in estensione completa rendendo più facili il montaggio della piastra a muro e il fissaggio del televisore.
- B. Installare le viti di bloccaggio [28] ai lati della piastra anteriore con una chiave esagonale da 4,8 mm [25]. Serrare solo finché l'estremità della vite è a livello con l'interno della piastra. Questa operazione consente il montaggio del televisore senza interferenze.

**3**

**Si veda la grafica a pagina 16.**

**Montaggio a parete**

Per determinare la posizione della piastra, è possibile consultare la funzione di assistenza Height Finder sul sito sanus.com.

**3-1: Montaggio su montante in legno**

**⚠ ATTENZIONE:** L'utilizzo improprio potrebbe ridurre la capacità di tenuta dei tirafondi. Per evitare la possibilità di danni alle cose o lesioni alle persone:

- ✘ I fori guida DEVONO essere praticati a una profondità di 75 mm (3 poll.), con una punta per trapano dal diametro di 5,5 mm (7/32 poll.).
- ✘ Non serrare eccessivamente i tirafondi [32].
- ✘ Lo spessore di qualsiasi materiale che copre la parete non deve eccedere i 16 mm (5/8 poll.).

### 3-2: Montaggio su calcestruzzo pieno e blocchi di calcestruzzo

**⚠ ATTENZIONE:** l'utilizzo improprio potrebbe ridurre la capacità di tenuta dei tirafondi. Per evitare la possibilità di danni alle cose o lesioni alle persone:

- ✘ I fori guida DEVONO essere praticati a una profondità di 75 mm (3 poll.), con una punta per trapano dal diametro di 10 mm (3/8 poll.).
- ✘ Assicurarsi che i tasselli [30] siano inseriti a livello rispetto alla superficie di calcestruzzo.
- ✘ Montare la piastra a muro direttamente sulla superficie di calcestruzzo.
- ✘ Non praticare mai i fori nei giunti di malta tra i blocchi di calcestruzzo.
- ✘ Non serrare eccessivamente i tirafondi [32].

### 3-1

**Legno Stud Wall Mounting - Vedere Precauzioni nel passaggio 3.**

1. Individuare borchie. Verificare il centro del perno con un chiodo punteruolo o sottili o utilizzare un bordo a bordo finder stud.
2. Livello della piastra a muro [02] e contrassegnare le posizioni buco.
3. Fori pilota come illustrato.
4. Serrare le viti [32] solo fino a quando le rondelle [31] vengono tirate contro la piastra a muro [02].

### 3-2

**Per il montaggio su calcestruzzo pieno o blocchi di calcestruzzo, vedere il passo 3.**

1. Livello della piastra a muro [02] e contrassegnare le posizioni buco.
2. Praticare i fori guida come illustrato.
3. Inserire i tasselli dei tirafondi [30].
4. Serrare i tirafondi [32] solo fino a quando le rondelle [31] non sono tirate fermamente contro la piastra a muro [02].

## 4

**Si veda la grafica a pagina 19.**

**Installare sulla piastra a muro il gruppo di gestione cavi (opzionale) e le coperture della piastra a muro stessa.**

1. Montare la copertura superiore [05] utilizzando la chiave esagonale da 3 mm [23] per installare quattro viti [27].
2. Montare la copertura inferiore [05] con la chiave esagonale da 3 mm [23] per installare quattro viti [27] mentre si adatta la montatura posteriore del gruppo di gestione cavi [04] tra la copertura e la parte orizzontale inferiore della piastra a muro [02].

## 5

**Si veda la grafica a pagina 20.**

**Fissare il televisore sulla piastra a muro**

**PESANTE!** Per questa operazione, si avrà bisogno di aiuto.

1. Appendere il televisore con la staffa di montaggio [03] sulla piastra anteriore della piastra a muro [02]. I pomelli di montaggio inferiori della staffa di montaggio [03] entreranno nelle asole della piastra anteriore [02] mentre i pomelli superiori passeranno nelle relative asole della piastra anteriore della piastra a muro [02].
2. Fissare il televisore alla piastra anteriore della piastra a muro [02] stringendo le viti di blocco [28] con la chiave esagonale da 4,8 mm [25] finché non agganciano i pomelli superiori della staffa [03].

## 6

**Si veda la grafica a pagina 21.**

**Installare sulla piastra a muro il gruppo di gestione cavi (opzionale) alla staffa del televisore.**

Adattare la montatura anteriore del gruppo gestione cavi [04] sul retro della staffa del televisore [03] con una chiave esagonale da 3 mm [23] per installare tre viti [26].

## 7

**Si veda la grafica a pagina 22.**

**Gestione cavi (opzionale)**

Collegare i cablaggi e/o cavi richiesti al televisore.

1. Far scorrere le tre coperture del gruppo gestione cavi [09] dalla parte anteriore (montatura piastra anteriore), posteriore (montatura piastra a muro) e dal centro (sospeso).
2. Passare i cablaggi e/o i cavi attraverso le tre sezioni.
3. Reinserrire le coperture.

## 8

**Si veda la grafica a pagina 23.**

**Regolazioni**

Regolare verso l'alto/verso il basso la tensione di inclinazione a mano o con una chiave esagonale M3 [24].

**Riporre il dispositivo di blocco**

Una volta completata la configurazione, rimuovere il blocco a scorrimento [29] dalla posizione di blocco **A** e adattarlo nelle scanalature di una delle slitte per riporlo **B**.

**! ΠΡΟΣΟΧΗ:**

ΣΗΜΑΝΤΙΚΕΣ ΟΔΗΓΙΕΣ ΑΣΦΑΛΕΙΑΣ - ΦΥΛΑΞΤΕ ΑΥΤΕΣ ΤΙΣ ΟΔΗΓΙΕΣ – ΔΙΑΒΑΣΤΕ ΟΛΟΚΛΗΡΟ ΤΟ ΕΓΧΕΙΡΙΔΙΟ ΠΡΙΝ ΧΡΗΣΙΜΟΠΟΙΗΣΤΕ ΑΥΤΟ ΤΟ ΠΡΟΪΟΝ

Προδιαγραφές

- ✦ Ικανότητα αντοχής βάρους: 27.22 kg (60 lbs)
- ✦ Περιστροφή: ±35°
- ✦ Κλίση: -10°

**▲ ΠΡΟΣΟΧΗ:** Αποφύγετε την πιθανή πρόκληση τραυματισμού ή υλικής βλάβης!

- ✦ Μη χρησιμοποιείτε αυτό το προϊόν για οποιονδήποτε σκοπό που δεν ορίζεται ρητά από τη κατασκευαστή.
- ✦ Ο τοίχος πρέπει να έχει τη δυνατότητα υποστήριξης πενταπλάσιου φορτίου από το συνολικό βάρος της οθόνης και της βάσης.
- ✦ Το προϊόν αυτό δεν έχει σχεδιαστεί για χρήση σε τοίχους με μεταλλικούς ορθοστάτες.
- ✦ Αν δεν κατανοείτε αυτές τις οδηγίες, ή έχετε αμφιβολίες για την ασφάλεια της εγκατάστασης, της συναρμολόγησης ή της χρήσης αυτού του προϊόντος, επικοινωνήστε με την Εξυπηρέτηση πελατών της κατασκευαστής ή καλέστε έναν αδειούχο τεχνικό.
- ✦ Η κατασκευαστής δεν είναι υπεύθυνη για τυχόν βλάβη ή τραυματισμό που προκαλείται από εσφαλμένη συναρμολόγηση ή χρήση.

**Παρεχόμενα κομμάτια και υλικά. Βλ. εικόνα στη σελίδα 8.**

Πριν να ξεκινήσετε τη συναρμολόγηση, επιβεβαιώστε πως περιλαμβάνονται όλα τα κομμάτια στη συσκευασία και πως δεν έχουν υποστεί ζημιά. Αν κάποια κομμάτια λείπουν ή έχουν υποστεί ζημιά, μην επιστρέψετε τη μονάδα στο κατάστημα αγοράς, αλλά επικοινωνήστε με την Εξυπηρέτηση πελατών της. Μη χρησιμοποιείτε ποτέ κομμάτια που έχουν υποστεί ζημιά!

**ΣΗΜΕΙΩΣΗ:** Μη χρησιμοποιείτε ποτέ κομμάτια που έχουν υποστεί ζημιά!

## 1 Βλ. εικόνα στη σελίδα 10.

**Τοποθέτηση των βραχιόνων της τηλεόρασης στην περίπτωση των τηλεοράσεων που έχουν πίσω μέρη ακανόνιστα ή με εμπόδια.**

Πριν ξεκινήσετε βιδώστε με το χέρι τις βίδες στις εσοχές με σπείρωμα στο πίσω μέρος της τηλεόρασης, για να καθορίσετε τη σωστή διάμετρο (M4, M5, M6, ή M8) της βίδας. Επιληθεύστε ότι υπάρχουν επαρκή σπειρώματα για τη στερέωση των βραχιόνων στην οθόνη. Αν νιώθετε αντίσταση, σταματήστε αμέσως και επικοινωνήστε με την Εξυπηρέτηση πελατών.

**▲ ΠΡΟΣΟΧΗ:** Αποφύγετε την πιθανή πρόκληση τραυματισμού ή υλικής βλάβης! Χρησιμοποιήστε τον κοντύτερο δυνατό συνδυασμό βίδας και διαχωριστικού που σας εξυπηρετεί. Η χρήση υλικών που είναι πολύ μακριά μπορεί να προκαλέσει ζημιά στα εσωτερικά εξαρτήματα της οθόνης σας.

**1-1** Για τηλεοράσεις με επίπεδη/χωρίς εμπόδια πλάτη. Φροντίστε οι βραχίονες να είναι ευθυγραμμισμένοι στο πίσω μέρος της τηλεόρασης και κεντραρισμένοι κατακόρυφα. Αν χρειάζεστε πρόσθετο χώρο για τα καλώδια, τις εσοχές ή τις προεξοχές, δείτε μια από τις επιλογές εγκατάστασης (1-2 ή 1-3) που χρησιμοποιούν διαχωριστικά.

**1-2** Για τηλεοράσεις με ακανόνιστη/με εμπόδια πλάτη. Φροντίστε οι βραχίονες να είναι ευθυγραμμισμένοι στο πίσω μέρος της τηλεόρασης. Απεικονίζονται οι τυπικές διαμορφώσεις. Για ειδικές εφαρμογές, ή αν δεν είστε βέβαιοι για την επιλογή υλικού, επικοινωνήστε με την Εξυπηρέτηση πελατών.

**1-3** Για τηλεοράσεις με ακανόνιστη/με εμπόδια πλάτη. Φροντίστε οι βραχίονες να είναι ευθυγραμμισμένοι στο πίσω μέρος της τηλεόρασης. Απεικονίζονται οι τυπικές διαμορφώσεις. Για ειδικές εφαρμογές, ή αν δεν είστε βέβαιοι για την επιλογή υλικού, επικοινωνήστε με την Εξυπηρέτηση πελατών.

## 2 Βλ. εικόνα στη σελίδα 14.

**Για να ετοιμάσετε την πλάκα τοίχου για τη στερέωση:**

- A. Γλιστρήστε μαζί τους βραχίονες της πλάκας τοίχου [02] και εισάγετε τη ράβδο ασφάλισης [29] στη θέση της. Η ενέργεια αυτή θα ασφαλίσει τους βραχίονες στην πλήρη προεκταμένη θέση καθιστώντας ευκολότερη της τοποθέτηση της πλάκας τοίχου και την προσάρτηση της τηλεόρασης.
- B. Τοποθετήστε τις βίδες ασφάλισης [28] μέσα στις πλευρές της μπροστινής πλάκας χρησιμοποιώντας το εξαγωνικό κλειδί των 4,8 mm [25]. Βιδώστε προς τα μέσα μόνο έως ότου το άκρο της βίδας έρθει σε επίπεδη θέση με το εσωτερικό της πλάκας. Αυτό θα επιτρέψει στην τηλεόραση να στερεωθεί χωρίς παρεμβολή.

## 3 Βλ. εικόνα στη σελίδα 16.

**Επιτοίχια στήριξη**

Για βοήθεια σχετικά με τον καθορισμό της θέσης της πλάκας τοίχου, ανατρέξτε στην Εύρεση ύψους (Height Finder) στη διεύθυνση [sanus.com](http://sanus.com).

**3-1: Στήριξη σε ξύλινο ορθοστάτες**

**▲ ΠΡΟΣΟΧΗ:** Η εσφαλμένη χρήση μπορεί να μειώσει τη δύναμη συγκράτησης της ξυλόβιδας. Για την αποφυγή πιθανών τραυματισμών ή υλικής βλάβης:

- ✦ Οι σπές οδηγού ΠΡΕΠΕΙ να έχουν βάθος 75 mm (3 in.), χρησιμοποιώντας μια κεφαλή τρυπανιού με διάμετρο 5,5 mm (7/32 in.).
- ✦ Μη βιδώνετε υπερβολικά τις ξυλόβιδες [32].
- ✦ Το υλικό που καλύπτει τον τοίχο δεν πρέπει να υπερβαίνει τα 16 mm (5/8 in.).

### 3-2: Στήριξη σε συμπαγές σκυρόδεμα καιτσιμεντόλιθο

**▲ ΠΡΟΣΟΧΗ:** Η εσφαλμένη χρήση μπορεί να μειώσει τη δύναμη συγκράτησης της ξυλόβιδας. Για την αποφυγή πιθανών τραυματισμών ή υλικής βλάβης:

- ✘ Οι σπές οδηγού ΠΡΕΠΕΙ να έχουν βάθος 75 mm (3 in.), χρησιμοποιώντας μια κεφαλή τρυπανιού με διάμετρο 10 mm (3/8 in.).
- ✘ Βεβαιωθείτε ότι τα ούπα [30] είναι επίπεδα με την επιφάνεια σκυροδέματος.
- ✘ Τοποθετήστε την πλάκα τοίχου απευθείας πάνω στην επιφάνεια σκυροδέματος.
- ✘ Ποτέ μην ανοίγετε τρύπες στο ασβεστοκονίαμα μεταξύ τωντσιμεντόλιθων.
- ✘ Μη βιδώνετε υπερβολικά τις ξυλόβιδες [32].

### 3-1

**Στήριξη σε ξύλινους ορθοστάτες - Βλέπε προειδοποιεί στο βήμα 3**

1. Εντοπίστε καρφιά. Επιβεβαιώστε το κέντρο του γενεαλογικού με ένα σουβλί ή λεπτές νυχιών ή να χρησιμοποιήσετε μια άκρη σε άκρη stud finder.
2. Επίπεδο, η πλάκα τοίχο [02] και το σήμα του θέσεις τρύπα.
3. Διάνοιξη σπών πιλοτικά όπως φαίνεται.
4. Βιδώστε τους κοχλίες [32] μόνο έως ότου οι δακτύλιοι [31] να τραβηχτούν πάνω στην πλακέτα τοίχου [02].

### 3-2

**Για στήριξη σε τοίχο από μπετόν ή σκυρόδεμα, ανατρέξτε στην ενότητα 3.**

1. Επίπεδο, η πλάκα τοίχο [02] και το σήμα του θέσεις τρύπα.
2. Ανοίξτε τις σπές οδηγούς όπως φαίνεται στην εικόνα.
3. Τοποθετήστε τα ούπα των ξυλόβιδων [30].
4. Βιδώστε τις ξυλόβιδες [32] μόνο έως ότου οι δακτύλιοι [31] να ακουμπήσουν στερεά πάνω στην πλάκα τοίχου [02].

## 4

**Βλ. εικόνα στη σελίδα 19.**

**Τοποθετήστε το συγκρότημα διαχείρισης καλωδίων (προαιρετικό) και τα καλύμματα της πλάκας τοίχου πάνω στην πλάκα τοίχου.**

1. Στερεώστε το πάνω κάλυμμα [05] χρησιμοποιώντας το εξαγωνικό κλειδί των 3,18 mm [23] για να τοποθετήσετε τις τέσσερις βίδες [27].
2. Στερεώστε το κάτω κάλυμμα [05] χρησιμοποιώντας το εξαγωνικό κλειδί των 3,18 mm [23] για να τοποθετήσετε τις τέσσερις βίδες [27] καθώς προσαρμόζετε το πίσω στήριγμα του συγκροτήματος διαχείρισης καλωδίων [04] μεταξύ του καλύμματος [05] και του κάτω οριζόντιου μέρους της πλάκας τοίχου [02].

## 5

**Βλ. εικόνα στη σελίδα 20.**

**Τοποθέτηση της τηλεόρασης στην πλάκα τοίχου**

**ΒΑΡΥ!** Θα χρειαστείτε βοήθεια σ' αυτό το βήμα.

1. Κρεμάστε την τηλεόραση από το βραχίονα στήριξης [03] πάνω στην μπροστινή πλάκα της πλάκας τοίχου [02]. Τα κάτω κουμπιά στερέωσης του βραχίονα στήριξης [03] θα ταιριάξουν μέσα στις μικρές υποδοχές της μπροστινής πλάκας της πλάκας τοίχου [02] ενώ τα πάνω κουμπιά θα μπουν μέσα στις πάνω υποδοχές της μπροστινής πλάκας της πλάκας τοίχου [02].
2. Στερεώστε την τηλεόραση πάνω στην μπροστινή πλάκα της πλάκας τοίχου [02] σφίγγοντας τις βίδες ασφάλισης [28] με το εξαγωνικό κλειδί των 4,8 mm [25] έως ότου να πιάσουν πάνω στα κουμπιά του βραχίονα [03].

## 6

**Βλ. εικόνα στη σελίδα 21.**

**Τοποθετήστε το συγκρότημα διαχείρισης καλωδίων (προαιρετικό) πάνω στο βραχίονα της τηλεόρασης.**

Τοποθετήστε το μπροστινό στήριγμα του συγκροτήματος διαχείρισης καλωδίων [04] πάνω στο πίσω μέρος του βραχίονα της τηλεόρασης [03] χρησιμοποιώντας το εξαγωνικό κλειδί των 3,18 mm [23] για να τοποθετήσετε τις τρεις βίδες [26].

## 7

**Βλ. εικόνα στη σελίδα 22.**

**Διαχείριση καλωδίων (προαιρετικό)**

Συνδέστε τα απαιτούμενα σύρματα και/ή καλώδια στην τηλεόραση.

1. Ολισθήστε τα τρία καλύμματα του συγκροτήματος διαχείρισης καλωδίων [09] από μπροστά (στερέωση μπροστινής πλάκας), πίσω (στερέωση πίσω πλάκας), και κέντρο (κινητό).
2. Δρομολογήστε τα σύρματα και/ή τα καλώδια μέσα από τα τρία τμήματα.
3. Επανατοποθετήστε τα καλύμματα.

## 8

**Βλ. εικόνα στη σελίδα 23.**

**Προσαρμογές**

Προσαρμόστε πάνω/κάτω την ένταση της κλίσης με το χέρι ή χρησιμοποιώντας το εξαγωνικό κλειδί M3 [24].

**Αποθήκευση**

Μετά την ολοκλήρωση της εγκατάστασης, βγάλτε τη ράβδο ασφάλισης [29] από την ασφαλισμένη θέση **A** και τοποθετήστε την μέσα στις εσοχές σε ένα από τους ολισθητήρες για αποθήκευση **B**.

**⚠ OBS!**

VIKTIGE SIKKERHETSINSTRUKSJONER – TA VARE PÅ DISSE INSTRUKSJONENE – LES HELE HÅNDBOKEN FØR DU BRUKER DETTE PRODUKTET

Spesifikasjoner

- ✘ Vektkapasitet: 27.22 kg (60 lbs)
- ✘ Svingeanordning:  $\pm 35^\circ$
- ✘ Vinkel:  $-10^\circ$

**⚠ OBS!** Unngå potensiell personskade og materiell skade!

- ✘ Bruk ikke dette produktet til noe annet formål enn det som produsent uttrykkelig har angitt.
- ✘ Veggene må kunne bære fem ganger samlet vekt av skjermen og festet.
- ✘ Dette produktet er ikke konstruert for bruk i vegger med metallstendere!
- ✘ Hvis du ikke forstår disse instruksjonene, eller er i tvil om sikkerheten ved installasjonen, monteringen eller bruken av produktet, tar du kontakt med kundeservice hos produsent eller en kvalifisert montør.
- ✘ Produsent er ikke ansvarlig for materiell skade eller personskade som skyldes uriktig montering eller bruk.

**Medfølgende deler og utstyr. Se illustrasjon på side 8.**

Se til at alle deler følger med og er uskadede før du begynner med monteringen. Hvis noen deler mangler eller er defekte, skal du ikke returnere dem til forhandleren. Kontakt kundeservice. Bruk aldri defekte deler!

**MERK:** Ikke alle hardware included vil bli brukt.

**1**

Se illustrasjon på side 10.

**Montering av TV-braketter for TV-er med ujevne eller blokkerte baksider**

Før du begynner, skal du skru i skruene for hånd i de gjengede hullene på baksiden av TV-apparatet for å bestemme den riktige diameteren på skruene (M4, M5, M6 eller M8). Kontroller at gjengene er gode nok til at brakettene kan festes til skjermen. Hvis du støter på motstand, må du stoppe øyeblikkelig og ta kontakt med kundeservice.

**⚠ OBS!** Unngå potensiell personskade og materiell skade! Bruk kombinasjonen av den korteste skruen og avstandsringen som passer til formålet. Bruk av for lange skruer kan skade innvendige deler i skjermen.

**1-1** For TV-apparater med flat bakside uten hindringer. Pass på at brakettene på baksiden av TV-apparatet er i vater og midtstilt vertikalt. Hvis det er behov for ekstra plass til kabler, nedsenkninger eller utspring, se monteringsalternativ (1-2 eller 1-3) der det blir benyttet avstandsstykker.

**1-2** For TV-er med uregelmessig bakside eller bakside med hindringer. Pass på at brakettene på baksiden av TV-apparatet er i vater. Standardkonfigurasjoner vises. Ta kontakt med kundeservice vedrørende spesielle anvendelser, eller hvis du er usikker på hvilke deler du skal velge.

**1-3** For TV-er med uregelmessig bakside eller bakside med hindringer. Pass på at brakettene på baksiden av TV-apparatet er i vater. Standardkonfigurasjoner vises. Ta kontakt med kundeservice vedrørende spesielle anvendelser, eller hvis du er usikker på hvilke deler du skal velge.

**2**

Se illustrasjon på side 14.

**For å forberede veggplaten for montering:**

- A. Skyv armene på veggplaten [02] sammen og sett skyvelåsen [29] på plass. Dette vil låse armene i utstrakt posisjon, noe som gjør monteringen av veggplaten og TV-en lettere.
- B. Monter låseskruene [28] på sidene til frontplaten ved bruke av en 3/16" sekskantnøkkel [25]. Skru bare inn til enden av skruen er plan med innsiden av platen. Dette vil sørge for at monteringen av TV-en skjer uten problemer.

**3**

Se illustrasjon på side 16.

**Veggmontering**

Du finner hjelp til å bestemme plasseringen av veggplaten under Height Finder (Høydebestemmelse) på sanus.com.

**3-1: Montering i trestendere**

**⚠ OBS!** Feil bruk kan redusere bæreevnen til sekskantboltene. Gjør følgende for å unngå mulig personskade eller materiell skade:

- ✘ Pilot hull SKAL bores 75 mm dype. Bruk et bor med en diameter på 5,5 mm.
- ✘ Trekk ikke til sekskantboltene for hardt [32].
- ✘ Eventuell veggbekledning kan bare ha en tykkelse på maksimum 16 mm.

### 3-2: Feste på fast betong og betongblokker

**⚠ OBS!** Feil bruk kan redusere bæreevnen til sekskantbolten. Gjør følgende for å unngå mulig personskaide eller materiell skade:

- ✘ Pilothull SKAL bores 75 mm dype. Bruk et bor med en diameter på 10 mm.
- ✘ Kontroller at veggankrene [30] er i flukt med betongoverflaten.
- ✘ Monter veggplaten rett på betongflaten.
- ✘ Bor aldri i mørtelen mellom blokkene.
- ✘ Trekk ikke til sekskantboltene for hardt [32].

## 3-1

**Montering i trestendere - Se Advarsler i trinn 3.**

1. Finn stendere. Bekreft midten av stud med en syl eller tynn spiker eller bruke en kant til kant stud finder.
2. Nivå veggen plate [02] og merk hullet steder.
3. Bor hull som illustrert.
4. Trekk sekskantboltene [32] til bare så hardt at stoppskivene [31] trekkes inntil veggplaten [03].

## 3-2

**Ved montering på betong eller betongblokker, se 3**

1. Nivå veggen plate [02] og merk hullet steder.
2. Bor pilothull, som vist.
3. Sett i ankre for sekskantbolter [30].
4. Trekk bare til sekskantboltene [32] til skivene [31] sitter fast mot veggplaten [02].

## 4

**Se illustrasjon på side 19.**

**Monter ledningssystemet (valgfritt) og deksler for veggplaten på veggplaten.**

1. Monter det øvre dekslet [05] ved å bruke en 1/8" sekskantnøkkel [23] til å skru inn de fire skruene [27].
2. Monter det nedre dekslet [05] ved å bruke 1/8" sekskantnøkkelen [23] til å skru i de fire skruene [27] samtidig som du tilpasser monteringen av ledningen [04] mellom dekslet [05] og den nedre horisontale veggplaten [02].

## 5

**Se illustrasjon på side 20.**

**Fest TV til veggplate**

**TUNGT!** Du vil trenge hjelp til denne operasjonen.

1. Heng TV-en med monteringsbraketten [03] på frontplaten til veggplaten [02]. De nedre monteringsknottene på monteringsbraketten [03] vil passe i hullene på frontplaten til veggplaten [02], mens de øvre knottene vil falle på plass i de øvre sporene på frontplaten til veggplaten [02].
2. Sikre TV-en til frontplaten på veggplaten [02] ved å stramme til låseskruene [28] med 3/16" sekskantnøkkelen [25] til de får tak på de øvre knottene av braketten [03].

## 6

**Se illustrasjon på side 21.**

**Monter ledningssystemet (valgfritt) til TV-braketten**

Fest fremdelen av ledningssystemet [04] til baksiden av TV-braketten [03] ved å bruke 1/8" sekskantnøkkelen [23] til å skru i tre skruer [26].

## 7

**Se illustrasjon på side 22.**

**Ledningssystemet (valgfritt)**

Sett nødvendige ledninger og/eller kabler i TV-en.

1. Skyv de tre dekslene til ledningssystemet [09] av fronten (frontplaten), baksiden (veggplaten) og på midten (løs).
2. Trekk ledningene og/eller kablene gjennom de tre seksjonene.
3. Sett tilbake dekslene.

## 8

**Se illustrasjon på side 23.**

**Justeringer**

Juster trykket som må til for å vinkle TV-en opp/ned for hånd eller ved å bruke M3 sekskantnøkkelen [24].

**Lagring**

Etter at monteringen er ferdig, fjern skyvelåsen [29] fra låseposisjon **A** og fest den i en av fordyppningene på en av skyverne for lagring **B**.



## ⚠ FORSIGTIG:

VIGTIGE SIKKERHEDSOPLYSNINGER – GEM DISSE OPLYSNINGER – LÆS HELE DENNE VEJLEDNING IGENNEM FØR BRUG

Specifikationer

- ✘ Vægtkapacitet: 27,22 kg (60 lbs)
- ✘ Drejemekanisme: ±35°
- ✘ Hældning: -10°

**⚠ FORSIGTIGHED:** Undgå potentielle skader på person og indbo!

- ✘ Brug ikke dette produkt til andre formål end udtrykkeligt angivet af fabrikant.
- ✘ Væggen skal kunne bære fem gange skærmens vægt og stativ tilsammen.
- ✘ Dette produkt er ikke Françaisestillet til brug på metalprofilvægge!
- ✘ Hvis du ikke kan forstå denne vejledning eller er i tvivl om sikkerheden ved installationen, monteringen eller brugen af dette produkt, så kontakt fabrikant eller ring til en kvalificeret leverandør.
- ✘ Fabrikant kan ikke drages til ansvar for skader eller beskadigelse forårsaget af forkert montering eller brug.

**Medleverede dele og armatur. Se grafik på side 8.**

Før samling, kontroller at alle dele er inkluderet og ubeskadiget. Hvis der mangler dele eller dele er beskadiget, returner ikke enheden til din forhandler; kontakt kundeservice. Brug aldrig dele, som er beskadiget!

**BEMÆRK:** Ikke alt armatur vil blive brugt.

### 1

Se grafik på side 10.

**Montering af tv-beslag til tv'er med ujævn eller obstrueret bagside**

Før du begynder, skal du med håndkraft indsætte skruerne ind i de gevindskårne huller bag på dit tv for at bestemme den rette skruediameter (M4, M5, M6 eller M8). Bekræft, at der er gevind nok til at fastgøre beslagene til skærmen. Hvis du støder på modstand, skal du standse omgående og kontakte kundeservice.

**⚠ FORSIGTIG:** Undgå potentielle skader på person og indbo! Brug en kombination af den korteste skrue og mellemstykke til dit behov. Anvendelse af en skrue, som er for lang, kan beskadige skærmens indvendige komponenter.

**1-1** Til tv'er med flad bagside uden hindringer. Sørg for, at beslagene sidder vandret på tv'ets bagside og er centreret vertikalt. Hvis der er behov for ekstra plads til kabler, udskæringer eller fremspring, er der mulighed for installation (1-2 eller 1-3) med mellemstykker.

**1-2** Tv'er med ujævn bagside eller hindringer Sørg for, at beslagene er vandrette på tv'ets bagside. Standard-konfigurationer er vist. Kontakt kundeservice for særlige applikationer, eller hvis du er usikker på dit hardware-udvalg.

**1-3** Tv'er med ujævn bagside eller hindringer Sørg for, at beslagene er vandrette på tv'ets bagside. Standard-konfigurationer er vist. Kontakt kundeservice for særlige applikationer, eller hvis du er usikker på dit hardware-udvalg.

### 2

Se grafik på side 14.

**Forbered vægpladen til montering:**

- A. Skub vægpladens arme [02] sammen og sæt låsemekanismen [29] på plads. Dette låser armene fast i deres fulde længde, så montering af vægpladen og fastgørelse af tv bliver nemmere.
- B. Monter låseskruerne [28] i siderne på stolpen med 3/16 in. hexnøgle [25]. Skru kun, indtil skruehovedet er på niveau med stolpen. Tv'et kan nu monteres uden interferens.

### 3

Se grafik på side 16.

**Vægmontering**

Se sanus.com for hjælp med at bestemme vægpladens placering.

**3-1: Montering på vægge med træafstivere**

**⚠ FORSIGTIG:** Forkert brug kan reducere boltens bæreevne. Sådan undgås potentielle person- eller ejendomsskader:

- ✘ Styrehullerne SKAL bores til en dybde på 75 mm (3 in.) med et bor med en diameter på 5,5 mm (7/32 in.).
- ✘ Mellemboltene må ikke overspændes [32].
- ✘ Enhver type materiale, der dækker væggen, må ikke have en tykkelse, der overskrider 16 mm (5/8 in.).



### 3-2: Montering på fast beton og betonblok

**▲ FORSIGTIG:** Forkert brug kan reducere boltens bæreevne. Sådant undgås potentielle person- eller ejendomsskader:

- ✘ Styrehullerne SKAL bores til en dybde på 75 mm (3 in.) med et bor med en diameter på 10 mm (3/8 in.).
- ✘ Sørg for, at beton-ankrene [30] flugter med betonoverfladen.
- ✘ Montér vægpladen direkte på betonoverfladen
- ✘ Bor aldrig i mørtelen mellem blokkene.
- ✘ Mellemboltene må ikke overspændes [32].

### 3-1

**Træ Stud Vægmontering - Se Forsigtig i trin 3.**

1. Find pigge. Kontroller midten af stutriet med en syl eller tynde søm eller bruge en kant til kant stud søg.
2. Niveau væggen plade [02] og mærke hullet steder.
3. Bore pilot huller som illustreret.
4. Spænd kun mellemboltene [32], indtil spændeskiverne [31] er trukket helt ind mod vægpladen [02].

### 3-2

**Se 3 for montering på massive betonvægge eller betonblokke.**

1. Niveau væggen plade [02] og mærke hullet steder.
2. Bor styrehullerne som illustreret.
3. Indsæt mellemboltankrene [34].
4. Spænd kun mellemboltene [32], indtil spændeskiverne [31] er trukket helt ind mod vægpladen [02].

## 4

Se grafik på side 19.

**Montér kabelstyringen (valgfrit) og dækpladen på vægpladen.**

1. Montér den øverste dækplade [05] med 1/8 in. hexnøgle [23] for at montere fire skruer [27].
2. Montér den nederste dækplade [05] med 1/8 in. hexnøglen [23] for at montere fire skruer [27], mens kabelstyringens bageste ophæng [04] fastsættes mellem dækpladen [05] og vægpladen nederste horisontale del [02].

## 5

Se grafik på side 20.

**Fastgør tv til vægplade**

**TUNGT!** Du skal bruge hjælp, når du udfører dette trin.

1. Hæng tv'et med monteringsbeslaget [03] på vægpladens stolpe [02]. De nederste monteringsknopper på monteringsbeslaget [03] passer ind i hullerne, der er nøglehulsformede, på vægpladens stolpe [02], mens de øverste knopper falder på plads i de øverste huller på vægpladens stolpe [02].
2. Fastgør tv'et til vægpladens stolpe [02] ved at stramme låseskruerne [28] med 3/6 in. hexnøglen [25], indtil de fæstner i beslagets øverste knopper [03].

## 6

Se grafik på side 21.

**Montér kabelstyringen (valgfrit) på tv-beslaget.**

Montér kabelstyringens beslag [04] bagpå tv-beslaget [03] med 1/8 in. hexnøgle [23] for at montere 3 skruer [26].

## 7

Se grafik på side 22.

**Kabelstyring (valgfrit).**

Sæt alle nødvendige ledninger og/eller kabler ind i tv'et.

1. Skub kabelstyringssamlingens tre dækplader [09] væk fra forsiden (stolpemontering), bagsiden (vægplademontering) og midtersiden (ikke-bærende).
2. Før ledningerne og/eller kablerne gennem de tre dele.
3. Udskift dækpladerne.

## 8

Se grafik på side 23.

**Justeringer**

Justér op/ned-vippespænding med håndkraft eller med M3-hexnøglen [24].

**Opbevaring**

Når opsætningen er fuldført, fjernes låsemekanismen [29] fra låseposition A, og den sættes ind i én af rillerne på udtrækket for opbevaring B.

**⚠ FÖRSIKTIGT:**

VIKTIGA SÄKERHETSANVISNINGAR – SPARA DESSA ANVISNINGAR – LÄS HELA HANDBOKEN INNAN DU ANVÄNDER DENNA PRODUKT

## Specifikationer

- ✘ Viktkapacitet: 27.22 kg (60 lbs)
- ✘ Vridning:  $\pm 35^\circ$
- ✘ Lutning:  $-10^\circ$

**⚠ FÖRSIKTIGT:** Undvik personskada och skada på egendom.

- ✘ Använd inte denna produkt för andra ändamål än dem som uttryckligen omnämns av tillverkare.
- ✘ Väggen måste kunna bära en vikt på upp till fem gånger bildskärm och upphängning tillsammans.
- ✘ Produkten är inte avsedd för användning på väggar med metallreglar.
- ✘ Om du inte förstår dessa anvisningar eller är tveksam om installationen, monteringen eller användningen är säker, kontakta tillverkare' kundtjänst eller en kvalificerad tekniker.
- ✘ Tillverkare kan inte hållas ansvarig för skador eller olycksfall som förorsakats av felaktig montering eller användning.

**Bifogade delar och järnvaror. Se bild på sidan 8.**

Innan du påbörjar monteringen, kontrollera att alla delar ingår och att de inte är skadade. Om några delar saknas eller är skadade ska du inte lämna tillbaka dem till din återförsäljare. Ta istället kontakt med Kundtjänst. Använd aldrig skadade delar!

**OBS:** Inte allt fastsättningsmaterial kommer att användas.

**1**

Se bild på sidan 10.

**Montera TV-fästen för TV-apparater med ojämn eller skrymmande baksida**

Innan du börjar, skruva in skruvarna för hand i den gängade insatsen på baksidan av tv:n för att fastställa korrekt skruvdiameter (M4, M5, M6 eller M8). Kontrollera att det finns tillräckligt med gängor för att säkra fästena vid bildskärmen. Om du känner motstånd, sluta omedelbart och kontakta kundtjänst.

**⚠ FÖRSIKTIGT:** Undvik personskada och skada på egendom. Använd den kortaste kombination av skruv och bricka du behöver. Om du använder beslag som är för långa kan bildskärmens interna komponenter skadas.

**1-1** För tv-apparater med plan/fri baksida. Kontrollera att fästena är jämna på baksidan av tv:n och vertikalt centererade. Välj en av de installationsalternativ (1-2 eller 1-3) som använder distansbrickor om du behöver extra utrymme för kablar, fördjupningar eller utskjutande delar.

**1-2** För tv-apparater med ojämn/skrymmande baksida. Kontrollera att fästena är jämna på baksidan av tv:n. Standardkonfigurationer visas. För specialinstallationer, eller om du inte är säker på vilka beslag du ska välja, kontakta kundtjänst.

**1-3** För tv-apparater med ojämn/skrymmande baksida. Kontrollera att fästena är jämna på baksidan av tv:n. Standardkonfigurationer visas. För specialinstallationer, eller om du inte är säker på vilka beslag du ska välja, kontakta kundtjänst.

**2**

Se bild på sidan 14.

**Så här förbereder du väggplattan för montering:**

- För ihop armarna på väggplattan [02] och sätt på skjutspärren [29]. Då låses armarna vid största möjliga förlängning, vilket gör det lättare att montera väggplattan och haka fast TV:n.
- Skruva fast låsskruvarna [28] i ytterplattans sidor med 3/16-tums sexkantnyckeln [25]. Skruva endast in skruven tills dess ände sitter precis intill plattans insida. På så sätt kan TV:n hakas på fästet utan hinder.

**3**

Se bild på sidan 16.

**Väggmontering**

Du kan få hjälp med att besluta var väggplattan ska placeras genom att gå till höjdfinnaren (Height Finder) på sanus.com.

**3-1: Montering på träregel**

**⚠ FÖRSIKTIGT:** Olämplig användning kan minska träskruvens hålleffekt. För att undvika risker för personsador och materiella skador:

- ✘ Pilothålén MÅSTE borras till ett djup av 75 mm med en 5,5 mm borrspets.
- ✘ Skruva inte åt träskruvarna för hårt [32].
- ✘ Material som täcker väggen får inte överstiga 16 mm.

### 3-2: Montering på massiv betong och betongblock

**⚠ FÖRSIKTIGT:** Olämplig användning kan minska träskruvens hålleffekt. För att undvika risker för personskador och materiella skador:

- ✘ Pilothålén MÅSTE borras till ett djup av 75 mm med en 10 mm borrspets.
- ✘ Se till att förankringarna [30] sitter plant mot betongytan.
- ✘ Montera väggplattan direkt på betongytan.
- ✘ Borra aldrig i fogarna mellan cementblocken.
- ✘ Skruva inte åt träskruvarna för hårt [32].

## 3-1

**Trä Stud Väggmontering - Se Försiktighetsåtgärder i steg 3.**

1. Leta studs. Kontrollera mitten av stuteriet med en syl eller tunn spik eller använda en kant till kant stud finder.
2. Nivå Väggplattan [02] och markera hålet platser.
3. Borra hål pilot som illustreras.
4. Spänn endast de franska träskruvarna [32] tills skruvbrickorna [31] pressas mot väggplattan [02].

## 3-2

**För montering på massiv betongvägg eller betongblock, se 3.**

1. Nivå Väggplattan [02] och markera hålet platser.
2. Borra styrhål enligt bilden.
3. Sätt i träskruvsförankringarna [34].
4. Spänn endast de franska träskruvarna [32] tills skruvbrickorna [31] pressas mot väggplattan [02].

## 4

Se bild på sidan 19.

**Montera kabelsatsen (valfritt) och väggplattans skydd på väggplattan.**

1. Montera det övre skyddet [05] genom att skruva i fyra skruvar [27] med 1/8-tums sexkantnyckeln [23].
2. Montera det nedre skyddet [05] genom att skruva i fyra skruvar [27] med 1/8-tums sexkantnyckeln [23] medan du monterar den bakre delen av kabelsatsen [04] mellan skyddet [05] och nederdelen av väggplattan [02].

## 5

Se bild på sidan 20.

**Montera TV:n på väggplattan**

**TUNGT!** Du kommer att behöva hjälp under det här steget.

1. Häng TV:n med fäste [03] på väggplattans [02] ytterplatta. De nedre hylsorna på fästet [03] passar in i nyckelhålsspären på väggplattans [02] ytterplatta och de övre hylsorna passar i de övre skårorna i väggplattans [02] ytterplatta.
2. Sätt fast TV:n på väggplattans [02] ytterplatta genom att skruva åt låsskruvarna [28] med 3/16-tums sexkantnyckeln [25] tills de fäster vid de övre hylsorna i fästet [03].

## 6

Se bild på sidan 21.

**Montera kabelsatsen (valfritt) på TV-fästet.**

Montera framdelen av kabelsatsen [04] på baksidan av TV-fästet [03] genom att skruva fast tre skruvar [26] med 1/8-tums sexkantnyckeln [23].

## 7

Se bild på sidan 22.

**Kabelhantering (valfritt)**

Anslut lämpliga kablar och/eller sladdar till TV:n.

1. Dra bort de tre skydden på kabelsatsen [09] från framsidan (ytterplattan), baksidan (väggplattan) och mitten.
2. Dra kablarna och/eller sladdarna genom de tre delarna.
3. Sätt tillbaka skydden.

## 8

Se bild på sidan 23.

**Justeringar**

Justera vinklingsspänningen upp/ner för hand eller med M3 sexkantnyckeln [24].

**Förvaring**

När installationen är klar avlägsnar du skjutsparren [29] från låst läge (A) och passar in den i skårorna på en av skenorerna för förvaring (B).

**⚠ ПРЕДУПРЕЖДЕНИЕ:**

ВАЖНЫЕ ИНСТРУКЦИИ ПО ТЕХНИКЕ БЕЗОПАСНОСТИ – СОХРАНИТЕ ЭТИ ИНСТРУКЦИИ – ПЕРЕД ЭКСПЛУАТАЦИЕЙ ИЗДЕЛИЯ ПОЛНОСТЬЮ ПРОЧТИТЕ ДАННОЕ РУКОВОДСТВО

Технические характеристики

- ✘ Нагрузка на изделие: 27.22 kg (60 lbs)
- ✘ Угол поворота:  $\pm 35^\circ$
- ✘ Угол наклона:  $-10^\circ$

**⚠ ПРЕДУПРЕЖДЕНИЕ:** Соблюдайте правила безопасности, чтобы предотвратить возможные травмы и повреждение имущества!

- ✘ Не используйте изделие для какой-либо цели, явно не оговоренной компанией Производитель.
- ✘ Стена должна выдерживать нагрузку, в пять раз превышающую общий вес монитора и кронштейна.
- ✘ Изделие не предназначено для установки на металлическую каркасную стену!
- ✘ Если вы не понимаете приведенные инструкции или не уверены в безопасности установки, сборки или эксплуатации данного продукта, обратитесь в центр послепродажного обслуживания компании Производитель или позвоните квалифицированному подрядчику.
- ✘ Компания Производитель не несет ответственности за повреждение оборудования или получение травмы по причине неправильной сборки или эксплуатации изделия.

**Детали и оборудование, входящее в комплект поставки. См. иллюстрацию на стр. 8**

Перед тем, как приступить к сборке, убедитесь, что весь комплект деталей в наличии и в неповрежденном состоянии. Если какие-либо детали отсутствуют или повреждены, не возвращайте изделие дилеру; обратитесь в центр обслуживания. Никогда не используйте дефектные детали!

**ПРИМЕЧАНИЕ** Будут использоваться не все металлоизделия.

## 1 См. иллюстрацию на стр. 10

**Монтаж телевизионных кронштейнов для телевизоров, задняя поверхность которых неровная или имеет выступы**

Перед началом установки вставьте винты в отверстия с резьбой на задней панели телевизора для определения соответствующего диаметра винта (M4, M5, M6 или M8). Проверьте, достаточно ли длины резьбы, чтобы прикрепить кронштейны к монитору. Если винты затягиваются плохо, немедленно прекратите установку и обратитесь в отдел технической поддержки.

**⚠ ПРЕДОСТЕРЕЖЕНИЕ.** Соблюдайте правила безопасности, чтобы предотвратить возможные травмы и повреждение имущества! Используйте сочетание винта и прокладки наименьшей подходящей длины. Использование слишком длинного крепежа может привести к повреждению внутренних компонентов монитора.

**1-1** Для телевизоров с плоской/без выступов задней панелью. Убедитесь в том, что кронштейны на задней панели монитора установлены по уровню и отрегулированы по вертикали. Если требуется дополнительное пространство, чтобы уложить кабель, подогнать утопленные или выпуклые поверхности, см. один из вариантов установки (1-2 или 1-3) с использованием втулок.

**1-2** Для телевизоров с неровной/с выступами задней панелью. Убедитесь в том, что кронштейны на задней панели монитора установлены по уровню. На рисунке показаны стандартные конфигурации. Для получения информации о нестандартных конфигурациях и уточнения выбора приспособлений обратитесь в отдел технической поддержки.

**1-3** Для телевизоров с неровной/с выступами задней панелью. Убедитесь в том, что кронштейны на задней панели монитора установлены по уровню. На рисунке показаны стандартные конфигурации. Для получения информации о нестандартных конфигурациях и уточнения выбора приспособлений обратитесь в отдел технической поддержки.

## 2 См. иллюстрацию на стр. 14

**Порядок подготовки стеновой пластины к установке:**

- A. Сведите штанги стеновой пластины [02] вместе, вставьте фиксатор [29]. Это закрепит штанги в полностью раздвинутом положении, и облегчит монтаж стеновой пластины и закрепление на ней телевизора.
- B. С помощью шестигранного ключа на 3/16 дюйма [25] установите винты блокировки [28] по сторонам облицовочной пластины. Закручивайте винты, пока они не скроются в пластине. Это дает возможность монтировать панель без помех.

## 3 См. иллюстрацию на стр. 16

**Настенное крепление**

Для определения расположения стеновой пластины воспользуйтесь приложением Height Finder на [sanus.com](http://sanus.com).

### 3-1: Крепление к деревянной стойке

- ✘ **▲ ПРЕДОСТЕРЕЖЕНИЕ.** Неправильное использование может уменьшить прочность соединения болта. Во избежание возможных травм или повреждения оборудования:
- ✘ С помощью сверла диаметром 5,5 мм (7/32 дюйма) ДОЛЖНЫ быть просверлены направляющие отверстия глубиной 75 мм (3 дюйма).
- ✘ Не прилагайте чрезмерные усилия для затягивания болтов [32].
- ✘ Толщина материала, покрывающего стену, не должна превышать 16 мм (5/8 дюйма).

### 3-2: Установка на стену из бетона/бетонных блоков

**▲ ПРЕДОСТЕРЕЖЕНИЕ.** Неправильное использование может уменьшить прочность соединения болта. Во избежание возможных травм или повреждения оборудования:

- ✘ С помощью сверла диаметром 10 мм (3/8 дюйма) ДОЛЖНЫ быть просверлены направляющие отверстия глубиной 75 мм (3 дюйма).
- ✘ Убедитесь, что дюбели [30] установлены заподлицо с бетонной поверхностью.
- ✘ Установите стеновую пластину непосредственно на бетонную поверхность.
- ✘ Ни в коем случае не сверлите отверстия в швах между блоками.
- ✘ Не прилагайте чрезмерные усилия для затягивания болтов [32].

## 3-1

### Крепление к деревянной стойке - См. Особые в шаге 3.

1. Найдите шипами. Убедитесь в центре Stud шилом или тонким гвоздем или использование края до края Stud Finder.
2. Уровень стены пластины [02] и Марк отверстие мест.
3. Дрель базовые отверстия, как показано.
4. Затягивайте болты с квадратными головками [32] только до тех пор, пока шайбы [31] не будут подтянуты к настенному креплению [02].

## 3-2

### Для крепления к сплошной бетонной стене или бетонному блоку см. 3.

1. Уровень стены пластины [02] и Марк отверстие мест.
2. Просверлите направляющие, как показано на рисунке.
3. Установите дюбели [34].
4. Затягивайте болты с квадратными головками [32] только до тех пор, пока шайбы [31] не будут подтянуты к настенному креплению [02].

## 4

См. иллюстрацию на стр. 19

### Установите на стеновую пластину ее крышки и узел разводки кабелей (необязательный).

1. С помощью шестигранного ключа на 1/8 дюйма [23] и четырех винтов [27] установите верхнюю крышку.
2. При помощи шестигранного ключа на 1/8 дюйма [23] и четырех винтов [27] установите нижнюю крышку, при этом поместите тыльную стойку узла разводки кабелей [04] между крышкой [05] и нижней горизонталью стеновой пластины [02].

## 5

См. иллюстрацию на стр. 20

### Прикрепление телевизора к стеновой пластине

**БОЛЬШОЙ ВЕС!** При выполнении данной операции вам понадобится помощь.

1. Крепление телевизора с монтажными кронштейнами [03] к лицевой пластине стеновой пластины [02]. Нижние регуляторы крепления на кронштейне [03] попадут в монтажные отверстия лицевой пластины стеновой пластины [02], а верхние регуляторы войдут в верхние отверстия этой же пластины [02].
2. Закрепите ТВ-панель на лицевой пластине стеновой пластины, затягивая блокирующие винты с помощью шестигранного ключа на 3/16 дюйма до тех пор, пока они не зафиксируют верхние регуляторы кронштейна [03].

## 6

См. иллюстрацию на стр. 21

### Установите узел разводки кабелей (необязательный) на кронштейн телевизора.

С помощью шестигранного ключа на 1/8 дюйма [23] и трех винтов [26] прикрепите переднюю стойку узла разводки кабелей [04] сзади кронштейна телевизора [03].

## 7

См. иллюстрацию на стр. 22

### Прокладка кабелей (необязательный).

Подключите к телевизору необходимые провода и кабели.

1. Снимите три крышки системы разводки кабелей [09] – спереди (стойка лицевой пластины), сзади (стойка стеновой пластины) и по центру (подвижная стойка)
2. Проложите провода и/или кабели по этим трем секциям.
3. Наденьте крышки.

## 8

См. иллюстрацию на стр. 23

### Регулировки

Отрегулируйте усилие затяжки при наклоне вверх/вниз вручную или с помощью шестигранного ключа М3 [24].

Хранение

После завершения установки, извлеките фиксатор [29] из фиксирующей позиции **A** и вставьте в паз одной из задвижек для хранения **B**.

**⚠ PRZESTROGA:**

WAŻNE INSTRUKCJE DOTYCZĄCE BEZPIECZEŃSTWA — NIE WYRZUCAĆ – PRZED UŻYTKIEM NALEŻY ZAPOZNAĆ SIĘ Z TREŚCIĄ CAŁEJ INSTRUKCJI

Opis techniczny

- ✦ Obciążenie: 27.22 kg (60 lbs)
- ✦ Obrót: ±35°
- ✦ Nachylenie: -10°

**⚠ PRZESTROGA:** Należy unikać potencjalnych obrażeń ciała i uszkodzenia mienia!

- ✦ Produkt nie powinien być wykorzystywany do celów innych, niż te określone przez firmę Producent.
- ✦ Nośność ściany powinna pięciokrotnie przekraczać łączny ciężar monitora oraz uchwytu.
- ✦ Produkt nie jest przeznaczony do użycia na ścianach ze słupami metalowymi.
- ✦ W razie niejasności instrukcji lub wątpliwości co do bezpieczeństwa montażu, zespołu lub korzystania z produktu prosimy o kontakt z Obsługą Klienta firmy Producent lub z odpowiednią firmą usługową.
- ✦ Firma Producent nie odpowiada za uszkodzenia i obrażenia spowodowane nieprawidłowym montażem albo użytkowaniem.

**Dostarczone części i osprzęt. Patrz ilustracja na stronie 8.**

Przed rozpoczęciem montażu sprawdź kompletność i stan wszystkich części. W razie braków lub uszkodzenia, nie zwracaj towaru do sprzedawcy; skontaktuj się z obsługą klienta firmy. Nigdy nie używaj uszkodzonych części!

**UWAGA:** Nie cały osprzęt zostanie wykorzystany.**1****Patrz ilustracja na stronie 10.****Montowanie wspornika do telewizorów z nieregularnym tyłem lub z przeszkodami**

Przed rozpoczęciem prac, do otworu montażowego z tyłu telewizora włożyć ręcznie wkręt, określając właściwą średnicę wkrętu (M4, M5, M6 lub M8). Sprawdzić, czy dostępne są połączenia gwintowane wystarczające do zamocowania wsporników do monitora. W przypadku odczuwania oporu należy natychmiast przerwać i skontaktować się z działem obsługi klienta.

**⚠ PRZESTROGA:** Należy unikać potencjalnych obrażeń ciała i uszkodzenia mienia! Połączenie najkrótszych wkrętów i podkładki pozwala na dopasowanie instalacji do potrzeb. Zbyt długie połączenia mogą spowodować uszkodzenie wewnętrznych komponentów monitora.**1-1** W przypadku telewizorów z płaskim tyłem/bez przeszkód. Sprawdzić, czy uchwyty z tyłu telewizora są wyrównane i wyśrodkowane w pionie. Jeżeli potrzeba będzie więcej miejsca na kable, wgłębienia lub występy, patrz opcje montażowe (1-2 lub 1-3) wykorzystujące dystanse.**1-2** W przypadku telewizorów z nieregularnym tyłem/z przeszkodami. Sprawdzić, czy uchwyty z tyłu telewizora są wyrównane. Na rysunku pokazano standardowe konfiguracje. W celu uzyskania informacji o zastosowaniach specjalnych i w razie braku pewności, co do wyboru sprzętu, prosimy o kontakt z Działem obsługi klienta.**1-3** W przypadku telewizorów z nieregularnym tyłem/z przeszkodami. Sprawdzić, czy uchwyty z tyłu telewizora są wyrównane. Na rysunku pokazano standardowe konfiguracje. W celu uzyskania informacji o zastosowaniach specjalnych i w razie braku pewności, co do wyboru sprzętu, prosimy o kontakt z Działem obsługi klienta.**2****Patrz ilustracja na stronie 14.****Przygotowanie płyty ściiennej do montażu:**

- Zsunąć ramiona płyty ściiennej [02] i założyć blokadę [29]. Dzięki temu ramiona będą w pełni wysunięte, co ułatwi montaż płyty ściiennej i telewizora.
- Założyć wkręty zabezpieczające [28] z boku płyty za pomocą klucza imbusowego 3/16 cala [25]. Dokręcić do momentu, gdy końcówka wkrętu będzie równa ze środkową częścią płyty. Umożliwi to bezproblemowy montaż telewizora.

**3****Patrz ilustracja na stronie 16.****Montaż na ścianie**

Aby uzyskać pomoc w określeniu położenia na płycie ściiennej, patrz Height Finder na stronie sanus.com.

**3-1: Montaż na słupach****⚠ PRZESTROGA:** Nieprawidłowe użycie zmniejszy może siłę śrub kotwiczących. Aby uniknąć groźby obrażeń i uszkodzenia sprzętu:

- ✦ Otwory prowadzące MUSZĄ być nawiercone na głębokość 75 mm za pomocą wiertła o średnicy 5,5 mm.
- ✦ Wkrętów montażowych [32] nie należy dokręcać za mocno.
- ✦ Grubość materiału stanowiącego pokrycie ściany nie może przekraczać 16 mm (5/8 cala).

### 3-2: Montaż na ścianie betonowej lub z pustaków betonowych

**▲ PRZESTROGA:** Nieprawidłowe użycie zmniejszy może siłę śrub kotwiczących. Aby uniknąć groźby obrażeń i uszkodzenia sprzętu:

- ✘ Otwory prowadzące MUSZĄ być nawiercone na głębokość 75 mm za pomocą wiertła o średnicy 10 mm.
- ✘ Sprawdzić, czy kotwy [30] są równe z powierzchnią ściany betonowej.
- ✘ Zamontować płytę ścienną bezpośrednio na ścianie betonowej.
- ✘ Nigdy nie wierć otworów w zaprawie między cegłami.
- ✘ Wkrętów montażowych [32] nie należy dokręcać za mocno.

### 3-1

**Drewno Stud do montażu na ścianie - Zobacz przestrzega w punkcie 3.**

1. Znajdź stadniny. Sprawdź centrum stadniny z paznokci szydło lub cienkiej lub wykorzystanie krawędzi do krawędzi stud finder.
2. Poziom płytki ścienne [02] oraz znak miejscach dziury.
3. Wiercenia otworów pilotażowych, jak pokazano na rysunku.
4. Śruby [32] należy dokręcać tylko do momentu docięnięcia podkładek [31] do płyty ściennej [02].

### 3-2

**Montaż na ścianie betonowej i z pustaków betonowych, patrz punkt 3.**

1. Poziom płytki ścienne [02] oraz znak miejscach dziury.
2. Wiercenia otworów pilotażowych, jak pokazano na rysunku.
3. Włożyć kotwy [30].
4. Śruby [32] należy dokręcać tylko do momentu docięnięcia podkładek [31] do płyty ściennej [02].

## 4

**Patrz ilustracja na stronie 19.**

**Przymocować zespół zarządzania kablami (opcjonalne) i pokrywę płyty ściennej do płyty ściennej.**

1. Zamocować pokrywę górną [05], mocując cztery wkręty [27] za pomocą klucza imbusowego 1/8 cala [23].
2. Zamocować pokrywę dolną [05], mocując cztery wkręty [27] za pomocą klucza imbusowego 1/8 cala [23], jednocześnie umieszczając tylny uchwyt zespołu zarządzania przewodami [04] pomiędzy pokrywą [05] i dolnym poziomem płyty ściennej [02].

## 5

**Patrz ilustracja na stronie 20.**

**Przymocować telewizor do płyty ściennej**

**CIĘŻKIE!** W tej czynności potrzebna będzie pomoc drugiej osoby.

1. Zawiesić telewizor wraz ze wspornikiem mocującym [03] na panelu przednim płyty ściennej [02]. Dolne pokrętła mocujące wspornika [03] znajdują się w otworach panelu przedniego płyty ściennej [02], a górne pokrętła w górnych otworach na panelu przednim płyty ściennej [02].
2. Zabezpieczyć telewizor na panelu przednim płyty ściennej [02], dokręcając wkręty zabezpieczające [28] za pomocą klucza imbusowego 3/16 cala [25] do momentu objęcia górnych pokręteł uchwytu [03].

## 6

**Patrz ilustracja na stronie 21.**

**Przymocować zespół zarządzania przewodami (opcjonalne) do wspornika do telewizora.**

Przymocować przedni uchwyt zespołu zarządzania przewodami [04] z tyłu wspornika do telewizora [03], wkręcając trzy wkręty [26] za pomocą klucza imbusowego 1/8 cala [23].

## 7

**Patrz ilustracja na stronie 22.**

**Zarządzanie przewodami (opcjonalne)**

Przymocować odpowiednie przewody i/lub kable do telewizora

1. Zdjąć trzy pokrywy zespołu zarządzania kablami [09] z przodu (uchwyt panelu przedniego), tyłu (uchwyt panelu ściennego) i ze środka (część ruchoma).
2. Przeprowadzić przewody i/lub kable przez trzy sekcje.
3. Założyć z powrotem pokrywy.

## 8

**Patrz ilustracja na stronie 23.**

**Regulacja**

Zmienić nachylenie w górę lub w dół ręcznie, lub za pomocą klucza imbusowego M3 [24].

**Przechowywanie**

Po zakończeniu ustawiania zdjąć blokadę [29] z pozycji zabezpieczającej **A** i umieścić ją w znajdującym się z jednej strony rowku w celu przechowywania **B**.



## ⚠ VÝSTRAHA:

WAŻNE INSTRUKCJE DOTYCZĄCE BEZPIECZEŃSTWA — NIE WYRZUCAĆ. PRZED UŻYCIEM TOHOTO WYROBKU SI PROSİM PRZECZYTAĆ CAŁĄ PŘÍRUČKU –  
 PRZED UŻYCIEM TOHOTO WYROBKU SI PROSİM PRZECZYTAĆ CAŁĄ PŘÍRUČKU

### Specifikace

- ✘ Nosnost: 27.22 kg (60 lbs)
- ✘ Natočení: ±35°
- ✘ Náklon: -10°

### ⚠ VÝSTRAHA: Vyvarujte se úrazu nebo poškození majetku!

- ✘ Nepoužívejte tento výrobek jinak, než bylo specifikováno společností Výrobce.
- ✘ Stěna musí být schopná unést zatížení ve výši pětinasobku součtu hmotností monitoru a držáku.
- ✘ Tento výrobek není určen pro montáž na stěny s kovovými svorníky!
- ✘ Nerozumíte-li těmto pokynům, nebo pochybujete o bezpečnosti instalace, sestavy nebo použití tohoto výrobku, kontaktujte zákaznický servis společnosti Výrobce nebo zavolejte kvalifikovanému smluvnímu partnerovi.
- ✘ Společnost Výrobce neodpovídá za škody ani poranění způsobená nesprávným sestavením nebo používáním.

### Dodané součásti a montážní materiál. Viz vyobrazení č. na str. 8.

Před začátkem montáže zkontrolujte, že jsou v balení všechny díly a že nejsou poškozeny. Pokud některé díly chybí nebo jsou poškozeny, nevracejte předmět prodejci, ale spojte se s oddělením služeb zákazníkům společnosti. Nikdy nepoužívejte poškozené díly.

**POZNÁMKA:** Nebude potřeba všechen montážní materiál.

## 1

Viz vyobrazení č. na str. 10.

### Sestavení televizní konzoly pro televizory s nepravidelnou nebo členitou zadní stěnou

Než začnete, zašroubujte rukou šrouby do závitových otvorů v zadní části televizoru, abyste stanovili správný průměr šroubu (M4, M5, M6 nebo M8). Zkontrolujte, zda jsou pro zajištění konzol k monitoru k dispozici vyhovující závit. Pokud ucítíte, že materiál klade odpor, okamžitě přerušete činnost a kontaktujte zákaznické centrum.

**⚠ VÝSTRAHA:** Vyvarujte se potenciálních osobních zranění a věcných škod! Použijte co nejkratší kombinaci šroubu a rozpěrky, jaká je zapotřebí. Použití příliš dlouhého spojovacího materiálu by mohlo způsobit poškození vnitřních komponent monitoru.

**1-1** Pro televizory s plochou/nečlenitou zadní stěnou. Ujistěte se, zda jsou držáky v rovině se zadní stěnou televizoru a svisle vycentrovány. Pokud potřebujete dodatečný prostor pro kabely, výklenky nebo výstupky, viz instalační možnost (krok 1-2 nebo 1-3), která používá rozpěrky.

**1-2** Pro televizory s nepravidelnou/členitou zadní stěnou. Ujistěte se, zda jsou držáky v rovině se zadní stěnou televizoru. Zobrazeny jsou standardní konfigurace. U speciálních aplikací nebo pokud si nejste jisti výběrem upevňovacích prvků, obraťte se na oddělení služeb zákazníkům.

**1-3** Pro televizory s nepravidelnou/členitou zadní stěnou. Ujistěte se, zda jsou držáky v rovině se zadní stěnou televizoru. Zobrazeny jsou standardní konfigurace. U speciálních aplikací nebo pokud si nejste jisti výběrem upevňovacích prvků, obraťte se na oddělení služeb zákazníkům.

## 2

Viz vyobrazení č. na str. 14.

### Příprava nástěnné desky k montáži:

- A. Ramena nástěnné desky [02] zasuněte do sebe a zajistěte zásuvnou zárazkou [29] na místo. Tím se ramena zaaretují v plně otevřené poloze a umožní jednodušší montáž nástěnné desky a připevnění televizoru.
- B. Stavěcí šrouby [28] našroubujte na boky čelní desky pomocí imbusového klíče [25] velikosti 3/16". Přitahujte šroub jen dokud není jeho hlava v rovině s vnitřkem desky. Umožní se tím bezproblémová montáž televizoru.

## 3

Viz vyobrazení č. na str. 16.

### Montáž na zed'

Pomoc s určením umístění montážní desky viz Height Finder (Výškoměr) na webových stránkách sanus.com.

### 3-1: Montáž na dřevěný nosník

**⚠ VÝSTRAHA:** Nesprávné použití by mohlo snížit únosnost kotevního šroubu. Abyste předešli možným úrazům nebo věcným škodám:

- ✘ Vodicí otvory MUŠÍ být vyvrtány do hloubky 75 mm (3 palce) vrtákem o průměru 5,5 mm (7/32 palce).
- ✘ Neutahujte kotevní šrouby [32] příliš velkou silou.
- ✘ Jakýkoli materiál pokrývající stěnu nesmí být silnější než 16 mm.



### 3-2: Montáž na betonovou a panelovou stěnu

**▲ VÝSTRAHA:** Nesprávné použití by mohlo snížit únosnost kotevního šroubu. Abyste předešli možným úrazům nebo věcným škodám:

- ✘ Vodicí otvory MUSÍ být vyvrtány do hloubky 75 mm (3 palce) vrtákem o průměru 10 mm (3/8 palce).
- ✘ Zajistěte, aby kotvy [30] lícovaly s betonovým povrchem.
- ✘ Připevněte nástěnnou desku přímo na betonový povrch.
- ✘ Nikdy nevrtejte do malty mezi tvárnicemi.
- ✘ Neutahujte kotevní šrouby [32] příliš velkou silou.

### 3-1

**Dřevo Stud montáž na zeď - UVÝSTRAHA** není vidět v kroku 3.

1. Vyhledejte knoflíky. Ověřte centrum stud s šídlo nebo tenký hřebík nebo použijte okraje k okrajům stud vyhledávač.
2. Úroveň zeď desky [02] a označte díry místech.
3. Vrták pilotní díry jak je znázorněno.
4. Kotvicí šrouby [32] utahujte jen do té míry, než se podložky [31] dotknou nástěnné desky [02].

### 3-2

**Montáž na masivní beton nebo betonový panel viz 3.**

1. Úroveň zeď desky [02] a označte díry místech.
2. Vrták pilotní díry jak je znázorněno.
3. Vložte zakotvení [30].
4. Kotvicí šrouby [32] utahujte jen do té míry, než se podložky [31] dotknou nástěnné desky [02].

## 4

**Viz vyobrazení č. na str. 19.**

**Na nástěnnou desku namontujte sestavu pro uspořádání kabelů (volitelné) a kryty nástěnné desky.**

1. Pomocí imbusového klíče 1/8" [23] a čtyř šroubů [27] přišroubujte vrchní kryt [05].
2. Přišroubujte spodní kryt [05] tak, že imbusovým klíčem 1/8" [23] zašroubujete čtyři šrouby [27] a zároveň mezi krytem [05] a spodní vodorovnou částí nástěnné desky [02] uchytíte zadní držák sestavy pro uspořádání kabelů [04].

## 5

**Viz vyobrazení č. na str. 20.**

**Připevnění televizoru na nástěnnou desku**

**TEŽKÉ!** K tomuto kroku budete potřebovat pomocníka.

1. Televizor s montážním držákem [03] zavěste na čelní stěnu nástěnné desky [02]. Spodní montážní knoflíky montážního držáku [03] zapadnou do štěrbinových otvorů čelní stěny nástěnné desky [02] a vrchní knoflíky zapadnou do vrchních štěrbin v čelní stěně nástěnné desky [02].
2. Televizor zajistěte na čelní stěnu nástěnné desky [02] dotažením stavěcích šroubů [28] imbusovým klíčem 3/16" [25] tak, aby byly zachyceny vrchní knoflíky držáku [03].

## 6

**Viz vyobrazení č. na str. 21.**

**Sestavu pro uspořádání kabelů (volitelné) přišroubujte na konzolu televizoru.**

Nasadte přední držák sestavy pro uspořádání kabelů [04] na zadní část konzoly televizoru [03] a imbusovým klíčem 1/8" [23] zašroubujte tři šrouby [26].

## 7

**Viz vyobrazení č. na str. 22.**

**Uspořádání kabelů (volitelné)**

Zapojte požadované vodiče a/nebo kabely do televizoru.

1. Stáhněte tři kryty sestavy pro uspořádání kabelů [09] z čela (držák čelní stěny), zadní části (držák nástěnné desky) a středu (pohyblivý).
2. Vodiče a/nebo kabely vedte těmito třemi částmi.
3. Kryty vraťte na původní místo.

## 8

**Viz vyobrazení č. na str. 23.**

**Nastavování**

Napnutí náklonu lze upravit nahoru a dolů ručně nebo imbusovým klíčem M3 [24].

**Ušchování**

Po dokončení nastavení odstraňte zásuvnou zarážku [29] ze zajišťovací polohy **A** a zasuňte ji do drážek jedné z odkládacích ližin **B**.

**⚠ DİKKAT:**

ÖNEMLİ GÜVENLİK TALİMATLARI - BU TALİMATLARI SAKLAYIN – LÜTFEN BU ÜRÜNÜ KULLANMADAN ÖNCE KILAVUZUN TAMAMINI OKUYUN

Teknik Özellikler

- ✘ Yük kapasitesi: 27.22 kg (60 lbs)
- ✘ Döndürme: ±35°
- ✘ Eğim: -10°

**⚠ DİKKAT:** Olası kişisel yaralanmalardan ve mal zararından sakının!

- ✘ Bu ürünü, Üreticiler tarafından açıkça belirtilmemiş bir amaçla kullanmayın.
- ✘ Duvar; monitör ve montaj düzeneği ağırlıklarının toplamının beş katını taşıyabilecek kapasitede olmalıdır.
- ✘ Bu ürün, metal profilli duvarlarda kullanılmak üzere tasarlanmamıştır!
- ✘ Bu talimatları anlamıyorsanız veya bu ürünün kurulum, montaj veya kullanım güvenliği konusunda endişeleriniz varsa Üreticiler Müşteri Hizmetleri'ne başvurun veya uzman bir usta çağırın.
- ✘ Üreticiler, hatalı montaj ya da kullanımdan kaynaklanan hasar veya yaralanmalardan sorumlu değildir.

**Ürünle Birlikte Verilen Parçalar ve Donanım - 8. sayfadaki numaralı resme bakın.**

Ürünü kurmaya başlamadan önce, bütün parçaların bulunduğunu ve hasar görmediğini kontrol edin. Herhangi bir parça kayıpsa veya hasar görmüşse, malzemeyi bayiinize iade etmeyin; Sanus Sistemleri Müşteri Hizmetleri ile irtibata geçin. Arızalı parçaları kesinlikle kullanmayın!

**NOT:** Bütün donanım kullanılmayacaktır.

**1**

**10. sayfadaki numaralı resme bakın.**

**Arka kısımları düzgün olmayan veya engelli olan TV için TV Desteğinin Montajı**

Başlamadan önce, doğru vida çapı (M4, M5, M6 veya M8)ni belirlemek için vidaları televizyonunuzun arkasındaki vida deliklerine elinizle sokun. Destekleri monitöre sabitlemek için yeterli vida yivi olduğunu doğrulayın. Zorlanma olursa hemen durun ve müşteri hizmetlerini arayın.

**⚠ DİKKAT:** Olası kişisel yaralanmalardan ve mal zararından sakının! İhtiyacınızı karşılayacak en kısa vida – ara parça kombinasyonunu kullanın. Fazla uzun donanım kullanılması monitörünüzün dâhili parçalarına zarar verebilir.

**1-1** Arkası düz/engelsiz televizyonlar için. Desteklerin televizyonun arkası ile aynı hizada ve dikey olarak ortalanmış olduğundan emin olun. Kablolar, girintiler veya çıkıntılar için fazladan yere ihtiyacınız varsa, ara parçaların kullanıldığı bir montaj seçeneğine bakın (1-2 veya 1-3).

**1-2** Arkası asimetrik/engelli televizyonlar için; Desteklerin televizyonun arkası ile aynı hizada olduğundan emin olun. Standart yapılandırılmalar gösterilmektedir. Özel uygulamalarda hangi donanımı seçeceğiniz konusunda kararsızsanız, Müşteri Hizmetleri'ne başvurun.

**1-3** Arkası asimetrik/engelli televizyonlar için; Desteklerin televizyonun arkası ile aynı hizada olduğundan emin olun. Standart yapılandırılmalar gösterilmektedir. Özel uygulamalarda hangi donanımı seçeceğiniz konusunda kararsızsanız, Müşteri Hizmetleri'ne başvurun.

**2**

**14. sayfadaki numaralı resme bakın.**

**Montaj için duvar plakasının hazırlamak için:**

- A. Duvar plakasının [02] kollarını hep birlikte kaydırın ve geçişli kilidi [29] yerine yerleştirin. Bu şekilde kollar tam olarak uzatılarak kilitlenecek, duvar plakası montajının ve TV bağlantısının daha kolay bir şekilde yapılmasını sağlayacaktır.
- B. 0,47 cm'lik alyan anahtarı [25] kullanarak ön yüzün yanlarına doğru kilitlene vidaların [28] takın. Sadece, vidanın ucunun plakanın içerisi ile aynı hizaya gelene kadar vidalayın. Bu şekilde, TV'nin herhangi bir engel olmaksızın monte edilmesi sağlanacaktır.

**3**

**16. sayfadaki numaralı resme bakın.**

**Duvara Montaj**

Duvar plakası konumunu belirlemede yardım almak için sanus.com adresindeki Height Finder (Yükseklik Bulucu)'a bakın.

**3-1: Aşşap Profile Montaj**

- ✘ **DİKKAT:** Yanlış kullanım, tirfon vidaların tutma gücünü azaltabilir. Olası yaralanmaları veya mal hasarını önlemek için: Kılavuz deliklerin; 5,5 mm (7/32 inç) çapında matkap ucu kullanılarak derinliği 75 mm (3 inç) olacak şekilde açılması ŞARTTIR.
- ✘ Tirfon vidalar [32] ı aşırı sıkmayın.
- ✘ Duvarı kaplayan maddeler 16 mm.den kalın olmamalıdır.

### 3-2: Betonarme ve Beton Blok Üzerine Montaj

**⚠ DİKKAT:** Yanlış kullanım, tirfon vidaların tutma gücünü azaltabilir. Olası yaralanmaları veya mal hasarını önlemek için:

- ✘ Kılavuz deliklerin; 10 mm (3/8 inç) çapında matkap ucu kullanılarak derinliği 75 mm (3 inç) olacak şekilde açılması ŞARTTIR.
- ✘ Dübeller [30] ile beton yüzeyi arasında boşluk olmadığından emin olun.
- ✘ Duvar plakası nı doğrudan beton yüzeyine monte edin.
- ✘ Hiçbir zaman bloklar arasındaki harcı matkapla delmeyin.
- ✘ Tirfon vidalar [32] ı aşırı sıkmayın.

### 3-1

**Ahşap Stud Duvar Montajı - 3. adımda Dikkat bakın.**

1. Studs bulun. Bir tiğ veya ince çivi ile damızlık merkezi doğrulayın veya damızlık Bulucu kenarına bir kenar kullanın.
2. Düzeyinde duvar plaka [02] ve delik yerleri işaretleyin.
3. Pilot delik olarak gösterilmektedir Matkap.
4. Cıvataları [32] yalnızca pullar [31] duvar plakasına [02] çekilene kadar sıkıştırın.

### 3-2

**Masif betona veya beton bloğa montaj için, bkz. 3.**

1. Düzeyinde duvar plaka [02] ve delik yerleri işaretleyin.
2. Pilot delik olarak gösterilmektedir Matkap.
3. Tirfon vida dübelleri [34].
4. Cıvataları [32] yalnızca pullar [31] duvar plakasına [02] çekilene kadar sıkıştırın.

## 4

**19. sayfadaki numaralı resme bakın.**

**Kablo yönetim tertibatını (isteğe bağlı) ve duvar plaka kapaklarını duvar plakası üzerine monte edin.**

1. Dört adet vidayı [27] monte etmek için, 0,31 cm'lik alyan anahtarı [23] kullanarak üst kapağı [05] monte edin.
2. Kapak [05] ve duvar plakasının alt yatay kısmı [02] arasında, kablo yönetim tertibatının [04] arka düzeneğini takarken, dört adet vidayı [27] takmak için 0,31 cm'lik alyan anahtarını [23] kullanarak alt kapağı [05] monte edin.

## 5

**20. sayfadaki numaralı resme bakın.**

**TV'yi Duvar Plakasına Monte Edin**

**AĞIR MALZEME!** Bu aşamada yardıma ihtiyacınız vardır.

1. TV'yi duvar plakasının [02] ön yüzü üzerine montaj destekleri [03] ile birlikte asın. Montaj desteğinin [03] alt montaj topuzu duvar plakasının [02] ön yüzündeki anahtar deliği yuvaları içerisine yerleşecek, bu arada üst topuzlar duvar plakasının [02] ön yüzündeki üst yuvaları içerisine girecektir.
2. Desteğin [03] üst topuzlarını yakalayana kadar, kilitleme vidalarını [28] 0,47 cm'lik alyan anahtar [25] ile sıkıştırarak, TV'yi duvar plakasının [02] ön yüzüne sabitleyin.

## 6

**21. sayfadaki numaralı resme bakın.**

**Duvar yönetim tertibatını (isteğe bağlı) TV desteğine takın.**

Üç adet vidayı [26] monte etmek için, 0,31 cm'lik alyan anahtarı [23] kullanarak, kablo yönetim tertibatının [04] ön bileşenini TV desteğinin [03] arkasına yerleştirin.

## 7

**22. sayfadaki numaralı resme bakın.**

**Kablo Yönetimi (isteğe bağlı)**

Gerekli kabloları ve/veya kabloları TV içerisine takın.

1. Kablo yönetim tertibatının [09] üç kapağını önden (ön yüz düzeneği), arkadan (duvar plakası düzeneği) ve orta kısımdan (değişken) çıkarın.
2. Kabloları ve/veya telleri bu üç bölüm boyunca yönlendirin.
3. Kapakları değiştirin.

## 8

**23. sayfadaki numaralı resme bakın.**

**Ayarlamalar**

Elinizle veya M3 alyan anahtarı [24] kullanarak yukarı / aşağı doğru eğim gerilimini ayarlayın.

**Saklama**

Kurulum tamamlandıktan sonra, geçişli kilidi [29] kilitleme konumu **A**'dan çıkarın ve **B**'yi saklamak için sürgülerden birinin oyuğu içerisine yerleştirin.

**▲ 注意：**

重要— 上記の安全指示書を保管しておいてください。本製品を使用する前に、説明書の内容をよくお読みください。

仕様

- ✦ 耐荷重: 27.22 kg (60 lbs)
- ✦ 回転: ±35°
- ✦ チルト: -10°

**▲ 注意:** ケガや壁面の破損が起これないように注意してください。

- ✦ 製造元が明確に指定している以外の目的で本製品を使用しないでください。
- ✦ 取り付け先の壁は、モニターとマウントの総重量の5倍を支えられなければなりません。
- ✦ 本製品は金属スタッドの壁での使用には適していません。
- ✦ ここに記載される説明を理解できない場合、または製品の取り付け、組み立て、使用について質問がある場合、製造元カスタマーサービスまたは認定業者にお問い合わせください。
- ✦ 製造元は、不適切な組み立てや使用によって起きた破損またはケガに対して責任を負いません。

同梱部品および金具 - 8 ページの図を参照

組み立てを始める前に、部品がすべてそろっており、破損していないことを確認してください。足りない部品または破損している部品がある場合は、販売店に製品を返品されるのではなくカスタマーサービスまでご連絡ください。破損した部品は絶対にご使用にならないでください。

注: 記載されたすべての金具を使用するわけではありません。

## 1 - 10 ページの図を参照

背面が平らではなかったり障害物があるテレビへのテレビブラケットの取り付け

始める前に、テレビの背面のネジ穴に手でネジを入れて、正しいネジの直径 (M4、M5、M6 或 M8) を判断します。モニターをブラケットで固定するためにネジの長さが十分かどうかを確認します。抵抗があった場合、直ちに中止して、カスタマーサービスに連絡してください。

**▲ 注意:** 避ケガや壁面の破損が起これないように注意してください。ニーズに対応するために、最も短いネジとスペーサーを組み合わせて使用します。使用するハードウェアが長すぎる場合、モニター内部のコンポーネントを破損する恐れがあります。

**1-1** 背面が平らで障害物がないテレビの場合。ブラケットがテレビの背面と水平になり、垂直方向の中央にくるようにしてください。ケーブル、くぼみ、突起物を収める余分なスペースが必要な場合、スペーサーを使用する取り付けオプション (1-3、1-3、または 1-4) を参照してください。

**1-2** テレビの背面が平らではなく障害物がある場合、次のようにします。ブラケットがテレビの背面と水平になるようにしてください。標準のハードウェア設定は図のとおりです。特別な用途の場合またはハードウェアの選択に関して確かではない場合、カスタマーサービスに連絡してください。

**1-3** テレビの背面が平らではなく障害物がある場合、次のようにします。ブラケットがテレビの背面と水平になるようにしてください。標準のハードウェア設定は図のとおりです。特別な用途の場合またはハードウェアの選択に関して確かではない場合、カスタマーサービスに連絡してください。

## 2 - 14 ページの図を参照

取り付けのためのウォールプレートの準備:

- A: ウォールプレート [02] のアームを同時にスライドさせ、スライドロック [29] を所定の位置に取り付けます。これによりアームが最大限に突き出た状態で固定されるため、ウォールプレートとテレビが取り付けやすくなります。
- B 3/16 インチの六角レンチ [25] を使って、ロックネジ [28] をフェースプレートの横に取り付けます。ネジの端がプレートの内部に収まるまで締めます。これにより、障害のない状態でテレビが取り付けられます。

## 3 - 16 ページの図を参照

ウォールマウント

ウォールプレートの取り付け位置を決めるには、sanus.com の Height Finder (高さ検索機能) をご利用ください。

3-1: 木製スタッドへの取り付け

**▲ 注意:** 適切に使用しないと、ラグボルトでしっかりと支えることができません。ケガや製品の破損を避けるには、次の点に注意します。

- パイロット穴は、5.5 mm 径のドリルビットを使って、75 mm の深さの穴にします。
- ラグボルト [32] を締めすぎないようにします。
- 壁面を覆う材料が 16 mm を超えないようにします。

### 3-2: コンクリートおよびコンクリートブロックへの取り付け

**▲ 注意:** 適切に使用しないと、ラグボルトでしっかりと支えることができません。ケガや製品の破損を避けるには、次の点に注意します。

- ・ パイロット穴は、10 mm 径のドリルビットを使って、75 mm の深さの穴にします。
- ・ アンカー [30] がコンクリート壁面にきちんとそろっていることを確認します。
- ・ ウォールプレート をコンクリート壁面に直接取り付けます。
- ・ ブロックの間のモルタルには、ドリルで穴を開けないようにしてください。
- ・ ラグボルト [32] を締めすぎないようにします。

## 3-1

木製のスタッドウォールマウント - ステップ 3 で注意してください。

1. 間柱を探します。千枚通しや薄い爪では、スタッドの中心を確認またはスタッドファインダ端にエッジを使用します。
2. レベルは、壁板 [02] は、穴の位置をマークします。
3. パイロットホールを、図のようドリルダウンします。
4. ワッシャー [31] が壁面プレート [02] にしっかりと取り付けられるまで、ラグボルト [32] を締めます。

## 3-2

コンクリートまたはコンクリートブロックへのマウント方法は、3 を参照してください。

1. レベルは、壁板 [02] は、穴の位置をマークします。
2. パイロットホールを、図のようドリルダウンします。
3. 挿ラグボルトアンカー [34]。
4. ワッシャー [31] が壁面プレート [02] にしっかりと取り付けられるまで、ラグボルト [32] を締めます。

## 4

- 19 ページの図を参照

配線管理 (オプション) とウォールプレートカバーをウォールプレートに取り付けます。

1. 1/8 インチの六角レンチ [23] を使って、4 本のネジ [27] で上部カバー [05] を取り付けます。
2. 配線管理 [04] の後部マウントを下部カバー [05] とウォールプレート [02] の下部の間に入れ、1/8 インチの六角レンチ [23] を使って、4 本のネジ [27] で下部カバー [05] に取り付けます。

## 5

- 20 ページの図を参照

ウォールプレートへのテレビを取り付け

重量あり!この操作は 2 人で行ってください。

1. マウントブラケット [03] を取り付けたいテレビをウォールプレート [02] のフェースプレートに取り付けます。マウントブラケット [03] の下部のマウントノブは、ウォールプレート [02] のフェースプレートの鍵穴に引っ掛かり、上部のマウントノブはウォールプレート [02] のフェースプレートの上部スロットに収まります。
2. 3/16 インチの六角レンチ [25] で、ブラケット [03] の上部ノブに引っ掛かるまでロックネジ [28] を締めて、テレビをウォールプレート [02] のフェースプレートに固定します。

## 6

- 21 ページの図を参照

配線管理 (オプション) をテレビのブラケットに取り付けます。

1/8 インチ六角レンチ [23] を使って、3 本のネジ [26] で、配線管理の前部マウントをテレビブラケットに取り付けます。

## 7

- 22 ページの図を参照

配線管理 (オプション)

必要なワイヤーやケーブルをテレビに接続します。

1. 配線管理 [09] の 3 つのカバーを正面 (フェースプレートマウント)、背面 (ウォールプレートマウント)、中央 (フロート) からスライドさせます。
2. 3 箇所にケーブルを配線します。
3. カバーを元に戻します。

## 8

- 23 ページの図を参照

調節

手または M3 六角レンチ [24] で、上下のチルトを調節します。

保管

設定が完了したら、ロック位置 (A) からスライドロック [29] を取り外し、保管 (B) のためにスライドの 1 つの溝に取り付けます。

**注意：**

重要安全说明 保存这些说明 请先完整阅读手册

规格

- ✦ 承重能力: 27.22 kg (60 lbs)
- ✦ 水平摆动:  $\pm 35^\circ$
- ✦ 竖向摆动:  $-10^\circ$

**小心：** 避免潜在人身伤害和财产损失！

- ✦ 请勿将此产品用于制造商明确指定以外的其他目的。
- ✦ 墙壁的承重力必须至少达到显示器和墙壁支架总重量的五倍。
- ✦ 本产品不适用于金属龙骨墙！
- ✦ 如您不理解这些说明，或对本产品的安全安装、拆卸或使用存有疑问，请联系制造商客户服务中心，或致电合格的承建商以咨询相关信息。
- ✦ 对因不当安装或不当使用而造成的损失或伤害，制造商不承担任何责任。

随带的部件和硬件 - 参见第 8 页图表。

开始组装前，请验证所有部件皆包含在内且无受损。若有任何部件丢失或受损，请勿将该部件返还经销商；请联系 客户服务中心。请勿使用受损部件  
注意：并非随带的所有硬件都会用到。

**1**

- 参见第 10 页图表。

安装后背不规则或有阻挡物的电视的支架

在您开始之前，请先用手将螺钉旋进电视机背面的螺纹导衬，以确定

正确的螺钉直径 (M4、M5、M6 或 M8)。查验将托架固定到显示器的螺纹是足够的。如果遇到阻力，请立即停止安装并联系客户服务部门。

**注意：** 避免潜在人身伤害和财产损失！使用最短螺钉和隔圈组合以适应您的需求。使用太长的硬件可能损坏您显示器内部的零部件。

**1-1** 对于后部平直/无阻挡物的电视。确保托架在电视背面呈水平状态且垂直居中。如果您需要额外空间容纳线缆、凹槽或突出物，参考使用隔圈的安装选择 (1-2 或 1-3)。

**1-2** 对于后部不规则/有阻挡物的电视，确保托架在电视背面呈水平状态。显示标准配置。对于特殊应用，或者您不确定您的硬件选择，请联系客户服务部门。

**1-3** 对于后部不规则/有阻挡物的电视，确保托架在电视背面呈水平状态。显示标准配置。对于特殊应用，或者您不确定您的硬件选择，请联系客户服务部门。

**2**

- 参见第 14 页图表。

准备安装所用的壁板：

A: 将壁板 [02] 的两臂滑到一起，并将滑动锁 [29] 插入到位。这样臂将会锁定在完全扩张的位置上，使壁板和电视的安装更加容易。

B: 使用 3/16 in 六角键 [25] 安装锁定螺丝 [28] 到面板侧。旋紧螺丝，直到螺丝末端与面板内侧平齐。这样可以保证无干扰地安装电视。

**3**

- 参见第 16 页图表。

墙壁安装

如需帮助确定壁板的位置，请参考 sanus.com 网站上的 Height Finder。

**3-1: 木龙骨安装**

**注意：** 不当使用可能减少方头螺栓的保持力。要避免潜在人身伤害或财产损失：

- ✦ 使用直径 5.5 mm (7/32 in.) 的钻头打钻导孔，深度必须达到 75 mm (3 in.)。
- ✦ 请勿过度紧固方头螺栓 [32]。
- ✦ 墙上覆盖的任何东西不能超过 16 mm (5/8 in.)。

**3-2: 实体混凝土和混凝土砌块墙上的安装**

**注意：** 不当使用可能减少方头螺栓的保持力。要避免潜在人身伤害或财产损失：

- ✦ 使用直径 10 mm (3/8 in.) 的钻头打钻导孔，深度必须达到 75 mm (3 in.)。
- ✦ 确保锚具 [30] 与混凝土表面平齐。
- ✦ 直接安装壁板 到混凝土表面上。
- ✦ 切勿钻入砌块之间的灰浆层中。
- ✦ 请勿过度紧固方头螺栓 [32]。

## 3-1

**木螺栓壁画镶嵌 - 见第3步注意事项。**

1. 定位螺栓。验证用锥子或细钉的螺柱中心或使用边到边螺柱取景。
2. 级隔墙板[02]个和马克孔位置。
3. 钻洞试点所示。
4. 只有在 圈 [31] 拉靠在 板 [02] 上之后, 才可以 六角螺栓 [32]。

## 3-2

**对于实心混凝土或混凝土砌块墙安装, 参见 3。**

1. 级隔墙板[02]个和马克孔位置
2. 钻洞试点所示。
3. 插入方头螺栓锚具 [34]。
4. 只有在 圈 [31] 拉靠在 板 [02] 上之后, 才可以 六角螺栓 [32]。

## 4

- 参见第 19 页图表。

**安装线缆管理 (可选) 组件和壁板盖到壁板上。**

1. 使用 1/8 in. 六角键 [23] 安装四个螺丝 [27] 完成顶盖 [05] 的安装。
2. 使用 1/8 in. 六角键 [23] 安装四个螺丝 [27] 完成底盖 [05] 的安装, 同时装配线缆管理组件 [04] 的后支架到底盖 [05] 和壁板 [02] 底部水平面之间。

## 5

- 参见第 20 页图表。

**安装电视到壁板**

**支架臂很重!** 该步骤需要协助。

1. 使用安装支架 [03] 将电视悬挂到壁板 [02] 的面板上。安装支架 [03] 的底部安装旋钮将会落到壁板 [02] 的面板的锁孔槽内, 同时顶部旋钮将会落到壁板 [02] 的面板的顶部槽内。
2. 固定电视到壁板 [02] 的面板上: 使用 3/16 in. 六角键 [25] 紧固锁定螺丝 [28], 直到它们固定住了支架 [03] 的顶部旋钮。

## 6

- 参见第 21 页图表。

**安装线缆管理 (可选) 组件到电视支架上。**

使用 1/8 in. 六角键 [23] 安装三个螺丝 [26], 以此安装线缆管理组件 [04] 的前支架到电视支架 [03] 的背面。

## 7

- 参见第 22 页图表。

**线缆管理 (可选)**

将所需的线缆和/或电线插入电视。

1. 将线缆管理组件 [09] 的三个盖子从前 (面板支架)、后 (壁板支架) 和中 (悬浮) 侧滑出。
2. 将线缆和/或电线穿过三个截面完成布线。
3. 重新装好盖子。

## 8

- 参见第 23 页图表。

**调整**

用手或使用 M3 六角键 [24] 上 / 下调整倾斜张力。

**存放**

安装完成之后, 从锁定位置 A 上拆除滑动锁 [29] 并将其安放到一个滑臂的凹槽内 B 存放。

## English

Milestone AV Technologies and its affiliated corporations and subsidiaries (collectively, "Milestone"), intend to make this manual accurate and complete. However, Milestone makes no claim that the information contained herein covers all details, conditions, or variations. Nor does it provide for every possible contingency in connection with the installation or use of this product. The information contained in this document is subject to change without notice or obligation of any kind. Milestone makes no representation of warranty, expressed or implied, regarding the information contained herein. Milestone assumes no responsibility for accuracy, completeness or sufficiency of the information contained in this document.

## Français

Milestone AV Technologies et ses sociétés affiliées et ses filiales (collectivement dénommées « Milestone »), se sont efforcées de rendre ce manuel précis et complet. Cependant, Milestone ne garantit pas que les informations qu'il contient couvrent tous les détails et toutes les conditions ou variations. Il ne pare pas non plus à toute éventualité relative à l'installation ou à l'utilisation de ce produit. Les informations contenues dans ce document peuvent faire l'objet de modifications sans avertissement ou obligation préalable quelconque. Milestone ne donne aucune garantie explicite ou implicite quant aux informations contenues dans le manuel. Milestone n'assume aucune responsabilité quant à l'exactitude, l'exhaustivité ou la suffisance des informations contenues dans ce document.

## Deutsch

Die Milestone AV Technologies und ihre angegliederten Unternehmen und Tochtergesellschaften (Sammelbegriff: "Milestone") sind um genaue und vollständige Abfassung dieser Anleitung bemüht. Milestone beansprucht jedoch nicht, dass die hierin enthaltenen Informationen alle Details, Bedingungen oder Varianten umfassen. Auch sind darin nicht alle Eventualitäten in Verbindung mit Montage oder Gebrauch dieses Produkts abgedeckt. Die in diesem Dokument enthaltenen Informationen können ohne Ankündigung oder Verpflichtung jeder Art geändert werden. Milestone haftet weder ausdrücklich noch stillschweigend für die in diesem Dokument enthaltenen Informationen. Milestone übernimmt keine Haftung für Genauigkeit, Vollständigkeit oder Hinlänglichkeit der in diesem Dokument enthaltenen Informationen.

## Español

Milestone AV Technologies y sus empresas asociadas y filiales (colectivamente "Milestone") tienen la intención de que este manual sea preciso y completo. Sin embargo, Milestone no sostiene que la información que contiene cubra todos los detalles, condiciones y variaciones. Ni que contemple toda posible contingencia en conexión con la instalación y uso de este producto. La información contenida en este documento es susceptible de ser modificada sin aviso ni obligación de ningún tipo. Milestone no hace ninguna manifestación de garantía, explícita o implícita, respecto a la información contenida en él. Milestone no asume ninguna responsabilidad por la exactitud, integridad o suficiencia de la información contenida en este documento.

## Português

A Milestone AV Technologies e as suas companhias aliadas e subsidiárias (colectivamente: "a Milestone"), tencionam elaborar um manual exacto e completo. No entanto a Milestone não alega que a informação no presente manual cubra todos os detalhes, condições ou alternativas. Nem alega que o manual descreva todas as possíveis situações de contingência em relação à instalação ou utilização deste produto. A informação contida neste documento está sujeita a alterações sem aviso prévio ou obrigação qualquer. A Milestone não oferece garantias de natureza alguma, expressa ou implícita, em relação à informação contida no presente documento. A Milestone não assume responsabilidade pela precisão, integridade ou suficiência da informação contida neste documento.

## Nederlands

Milestone AV Technologies en haar aangesloten bedrijven en dochterondernemingen (verder samen te noemen: "Milestone") hebben de intentie deze montagehandleiding zo accuraat en volledig mogelijk te maken. Echter, Milestone claimt niet dat de informatie in deze montagehandleiding een weergave vormt van alle denkbare details, voorwaarden en variaties. Milestone claimt ook niet dat het rekening heeft gehouden met iedere mogelijke eventualiteit in verband met de installatie of het gebruik van dit product. De informatie in deze montagehandleiding is onderhevig aan verandering zonder dat Milestone verplicht is zulks te berichten, en zonder dat Milestone dienaangaande enigerlei andere verplichtingen heeft. Milestone doet geen enkele uitspraak van waarborg, hetzij expliciet of impliciet, met betrekking tot de informatie die in deze montagehandleiding is opgenomen. Milestone aanvaardt geen enkele verantwoordelijkheid voor de accuraatheid, volledigheid of adequatie van de informatie die in dit document is opgenomen.

## Italiano

Milestone AV Technologies e le sue società affiliate e controllate (congiuntamente denominate "Milestone") si propongono di redigere il presente manuale in modo preciso e completo. Milestone, tuttavia, non rilascia alcuna garanzia che le informazioni ivi contenute coprano tutti i dettagli, le condizioni o le modifiche, né che lo stesso preveda tutti i possibili imprevisti connessi all'installazione o all'uso del presente prodotto. Le informazioni contenute nel presente documento sono soggette a modifica senza preavviso od obbligo di alcun genere. Milestone non rilascia alcuna garanzia, espressa o implicita, circa le informazioni ivi contenute. Milestone declina ogni responsabilità in merito all'accuratezza, completezza o sufficienza delle informazioni contenute nel presente documento.

## Ελληνικά

H Milestone AV Technologies και οι συνεργαζόμενες εταιρείες και θυγατρικές της (οι οποίες συλλογικά αναφέρονται σαν "Milestone"), καταβάλλουν κάθε προσπάθεια ώστε το παρόν εγχειρίδιο να είναι ακριβές και άρτιο. Ωστόσο, η Milestone δεν εγγυάται ότι οι πληροφορίες που περιέχονται στο παρόν καλύπτουν όλες τις λεπτομέρειες, συνθήκες ή παραλλαγές. Επιπλέον, δεν μπορεί να προβλέψει όλα τα απρόοπτα σχετικά με την εγκατάσταση ή χρήση του προϊόντος αυτού. Οι πληροφορίες που περιέχει αυτό το έγγραφο υπόκεινται σε τροποποιήσεις χωρίς προειδοποίηση ή οποιοδήποτε είδους υποχρέωση. Η Milestone δεν προβαίνει σε δηλώσεις εγγυήσεων, ρητών ή υπονοουμένων, όσον αφορά τις πληροφορίες που περιέχει το παρόν. Η Milestone δεν αναλαμβάνει ευθύνη για την ακρίβεια, πληρότητα ή επάρκεια των πληροφοριών που περιέχει αυτό το έγγραφο.

## Norsk

Milestone AV Technologies og dets tilknyttede selskaper og datterselskaper (samlet kalt "Milestone"), har til hensikt å gjøre denne bruksanvisningen nøyaktig og fullstendig. Milestone hevder imidlertid ikke at informasjonen i bruksanvisningen dekker alle detaljer, forhold eller variasjoner. Den dekker heller ikke alle tenkelige muligheter hva angår montering eller bruk av produktet. Informasjonen i dette dokumentet kan endres uten forutgående varsel og uten noen form for forpliktelser. Milestone gir ingen Franskemstilling om garanti, uttrykt eller underforstått, angående informasjonen som gjengis her. Milestone påtar seg ikke ansvar for hvor nøyaktig, fullstendig eller tilstrekkelig informasjonen i dette dokumentet er.

## Dansk

Milestone AV Technologies og dets associerede selskaber og datterselskaber (samlet, "Milestone"), har til hensigt at gøre denne manual nøjagtig og fuldstændig. Dog hæveder Milestone ikke at informationen indeholdt heri dækker alle detaljer, betingelser eller variationer. Den fornider heller ikke hver mulig uforudsete hændelse i forbindelse med installationen og brugen af produktet. Informationen indeholdt i dette dokument kan ændres uden varsel eller forpligtigelse af nogen art. Milestone Franskæmsætter ingen indsigelse for garanti, udtrykkelig eller underforstået, vedrørende informationen indeholdt heri. Milestone påtager sig intet ansvar for nøjagtighed, fuldstændighed eller tilstrækkelighed af informationen indeholdt i dette dokument.

## Svenska

Milestone AV Technologies och dess dotterbolag och (tillsammans under namnet "Milestone"), strävar efter att göra denna bruksanvisning noggrann och komplett. Milestone kan dock inte garantera att den information som ges här är fullständig och att den täcker alla detaljer, tillstånd eller variationer. Den täcker inte heller alla tänkbare möjligheter vad det gäller monteringen av produkten. Informationen som ingår i detta dokument kan ändras utan föregående varsel och utan förpliktelser av något slag. Milestone gör inga föreställningar om garanti, uttryckt eller underförstådd, angående informationen som ingår här. Milestone tar inte på sig något ansvar för hur noggrann, fullständig eller tillräcklig information som ingår i dokumentet är.

## Русский

Milestone AV Technologies и связанные с ней корпорации и дочерние предприятия (упоминаемые здесь под общим названием "Milestone") стремятся сделать это руководство точным и полным. Однако Milestone не гарантирует, что содержащаяся в нем информация охватывает все детали, условия и модификации. Кроме того, в нем рассматриваются не все возможные нештатные ситуации, касающиеся установки и использования данного изделия. Информация, содержащаяся в данном документе, может быть изменена без предварительного уведомления и каких-либо обязательств. Milestone не дает гарантии, как прямой, так и косвенной, относительно содержащейся в нем информации. Milestone не несет ответственности за точность, полноту и достаточность информации, содержащейся в данном документе.

## polski

Zamiarem firmy Milestone AV Technologies oraz związanych z nią korporacji i filii (nazwa zbiorowa "Milestone") było stworzenie dokładnej i kompletnej instrukcji. Jednakże firma Milestone zastrzega, że informacje tu zawarte nie obejmują wszystkich szczegółów, warunków lub wersji. Ani też wszelkiej innych możliwych okoliczności związanych z instalacją i użytkowaniem produktu. Informacje zawarte w tym dokumencie podlegają zmianie bez uprzedzenia i bez żadnych zobowiązań. Firma Milestone nie składa żadnych zapewnień gwarancyjnych, wyrażonych wprost lub dorozumianych, odnośnie informacji tu zawartych. Firma Milestone nie bierze na siebie odpowiedzialności za dokładność, kompletność oraz wystarczającą ilość informacji zawartych w tym dokumencie.

## Česky

Společnost Milestone AV Technologies a její sesterské a dceřiné společnosti (společně nazývané „Milestone“) si přejí, aby byla tato příručka přesná a úplná. Společnost Milestone ovšem nijak netrvdí, že informace, které jsou zde obsaženy, zahrnují všechny podrobnosti, podmínky nebo varianty. Ani nezajišťuje veškeré možné eventualy, které mohou nastat ve spojení s instalací nebo používáním tohoto výrobku. Informace obsažené v tomto dokumentu se mohou měnit bez upozornění nebo jakýchkoli povinností. Společnost Milestone nedává žádné záruky, at' výslovně či implicitně, ve spojení se zde obsaženými informacemi. Milestone nepebírá žádnou odpovědnost za přesnost, úplnost nebo dostatečnost informací, které jsou v tomto dokumentu obsaženy.

## Türkçe

Milestone AV Technologies, bağlı şirket ve yan kuruluşlar (tümü "Milestone" adıyla anılır) bu kılavuzun doğru ve tam olarak hazırlanmasını hedeflemektedir. Ancak, Milestone burada yer alan bilgilerin tüm ayrıntı, şart ve değişiklikleri içerdiğini ileri sürmez. Ayrıca, ürünün kurulumu ya da kullanımı ile ilgili beklenmedik durumların tümü hakkında da bilgi vermez. Bu belgede yer alan bilgiler bildirilmeden veya herhangi bir şekilde yükümlülük alınmadan değiştirilebilir. Milestone burada belirtilen bilgiler ile ilgili yapılan açıklama veya imalar hakkında hiçbir şekilde garanti vermez. Milestone bu belgede yer alan bilgilerin doğru, tam ve yeterli olduğu konusunda hiçbir sorumluluk kabul etmez.

## 日本語

Milestone AV Technologiesおよびその関連会社と支店(総称してMilestone)は、本説明書の内容が正確であり漏れがないよう万全を期しておりますが、あらゆる詳細、状態、バリエーションが本書に記載されているわけではありません。また、本製品の取り付けもしくは使用に關し、起こり得るあらゆる不測の事態を説明しているわけでもありません。本書に記載された情報は、予告またはその義務なしに変更されることがあります。Milestoneは本書の内容に關して、明示または黙示に関わりなく、一切の保証をいたしません。また、本書の情報の正確さ、完全性、または十分性に関しても、一切の責任を負いかねます。

## 中文

Milestone AV Technologies 及其联营公司和子公司(通称为 "Milestone") 旨在使本手册准确而完整。然而, Milestone 无法断言此处所含信息包括所有详情、条件或变更。Milestone 也无法保证安装或使用本产品不会出现任何可能的意外。本文档所含信息如需变更,恕不另行通知或承担任何义务。在此处所含信息内,无论明示或隐含,Milestone 未做出任何保修陈述。对于本文档所含信息的准确性、完整性或充分性,Milestone 概不负责。